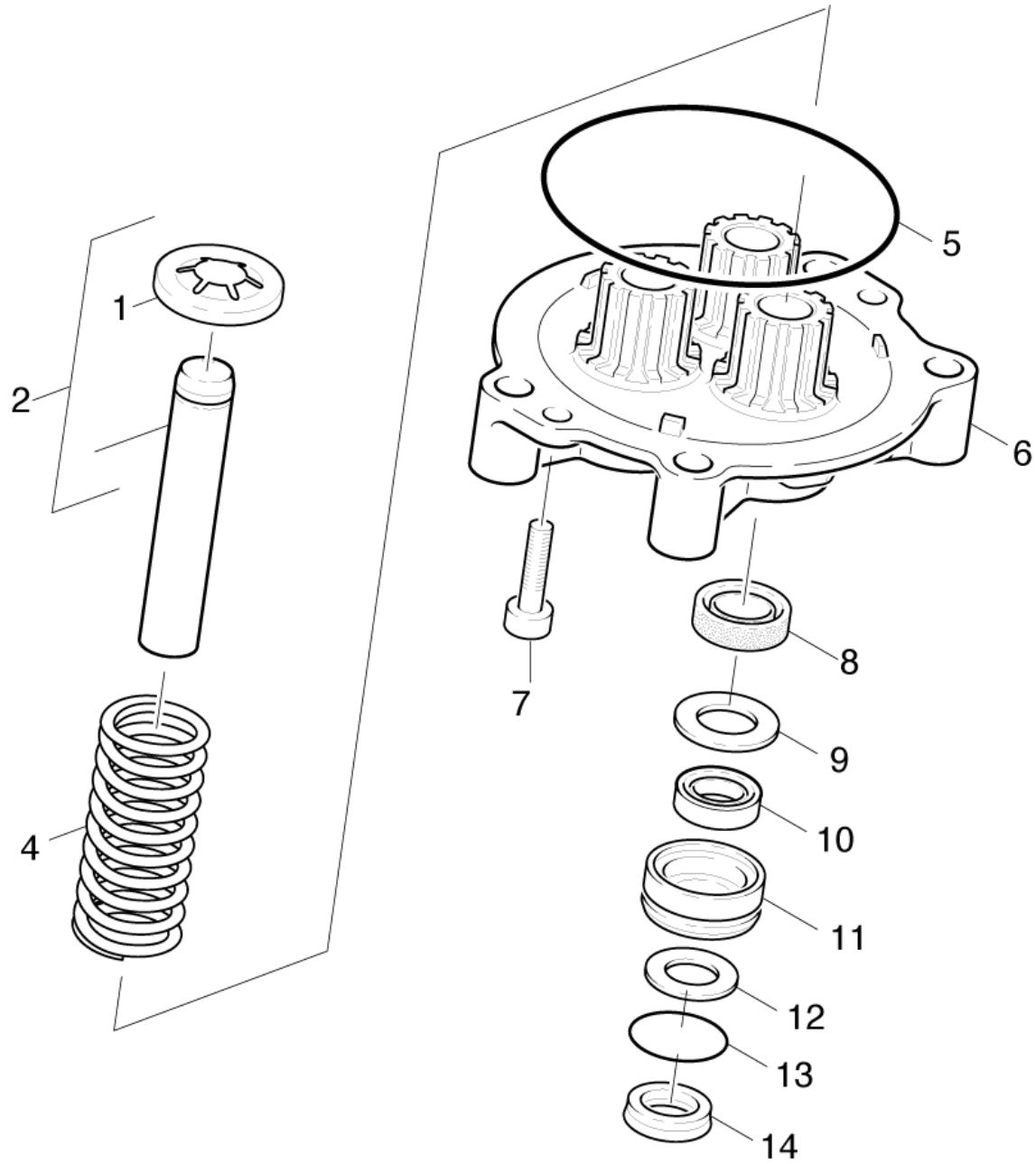


21 Piston

Professional \ High pressure cleaner hotwater \ Electric motor \ HDS 558 C *EU \ Spare parts list HDS 558 C \ Pump set \ Piston



21 Piston

Professional \ High pressure cleaner hotwater \ Electric motor \ HDS 558 C *EU \ Spare parts list HDS 558 C \ Pump set \ Piston

KÄRCHER

POS	Article no.	Description	Quantity	Unit
2	4.553-181.0	Piston complete	3	PC
	Item text1: / 1.170-101.0 / -102.0 / -103.0			
	Item text2: / -104.0 / -111.0 / -201.0			
1	5.030-625.0	Moulded part	3	PC
6	5.060-677.0	Thrust guidance	1	PC
11	5.112-576.3	Bush	3	PC
12	5.115-465.0	Washer	3	PC
9	5.115-744.0	Washer	3	PC
4	5.332-427.0	Spring	3	PC
13	6.362-376.0	O-Ring seal 24,0 X 1,5	3	PC
5	6.362-768.0	O-Ring seal 88.0X 2.2	1	PC
8	6.365-340.0	Grooved ring 14X22X5/7	3	PC
14	6.365-432.0	Grooved ring 14x22x5.3	3	PC
10	6.365-438.0	Compact seal	3	PC
7	7.303-047.0	Screw M6x16 -St-R3R (In6Rd)	2	PC
2	7.777-999.0	Stockpiling discontinued	3	PC
	Item text1: / 1.170-110.0 / 1.173-115.0			