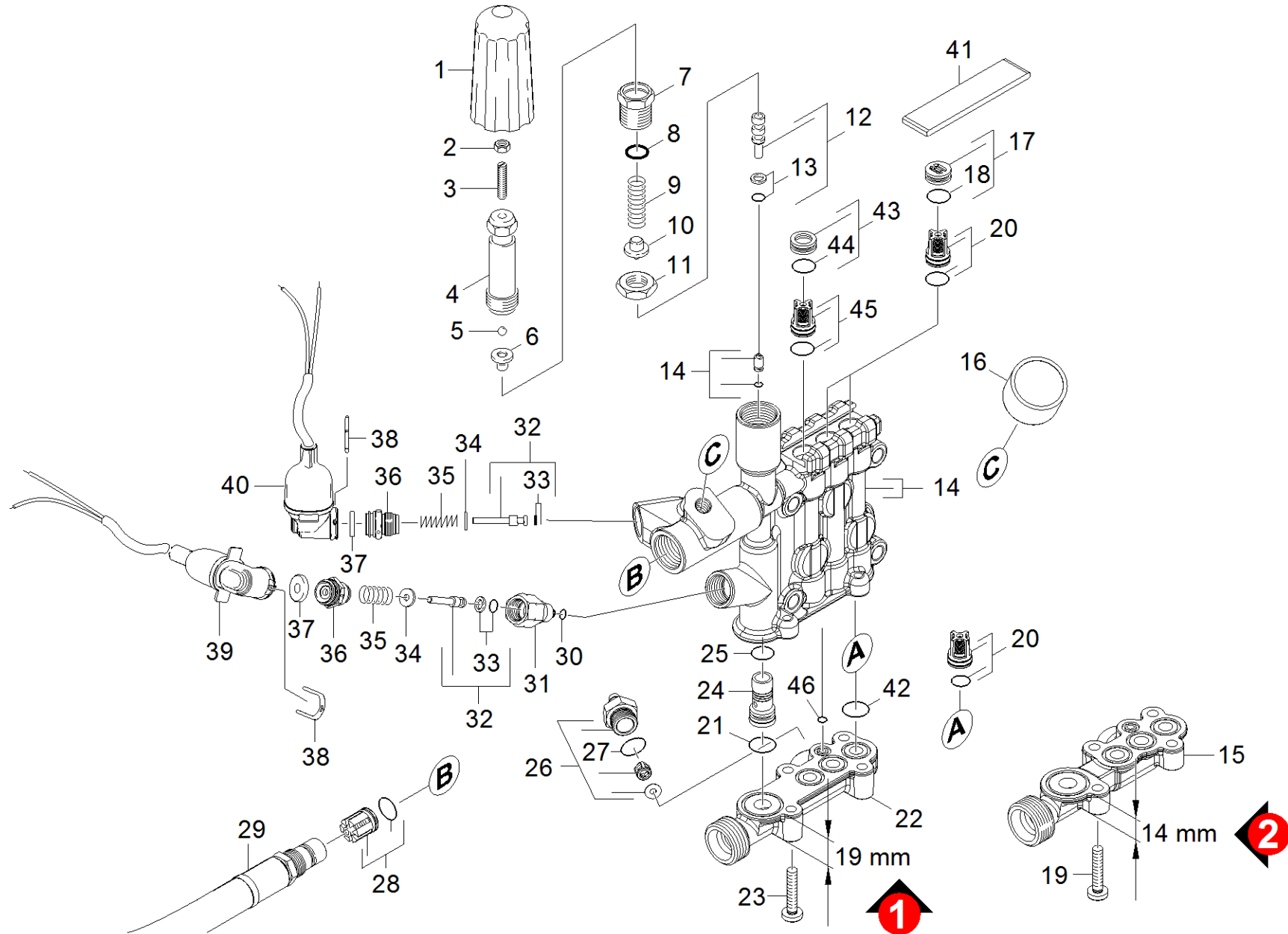


21 Cylinder head

Overview technical documents/Professional/High pressure cleaner hotwater/Electric motor/HDS 8/17 CX (1.174-321.0)/Spare parts list HDS 8/17 C/CX/20 Pump set/21 Cylinder head



21 Cylinder head

Overview technical documents/Professional/High pressure cleaner hotwater/Electric motor/HDS 8/17 CX (1.174-321.0)/Spare parts list HDS 8/17 C/CX/20 Pump set/21 Cylinder head

Rez.daļas/nodil.pakļ.daļas	Poz.	Materiāla Nr.	Nosaukums	Daudzums	Pārdoš. vienība
X-X	1	5.321-579.0	Handle	1.000	ST
X-X	2	7.311-002.0	hexagon nut	1.000	ST
X-X	3	7.307-017.0	threaded pin	1.000	ST
X-X	4	5.304-070.0	Skrūve ar sešstūru galvu	1.000	ST
X-X	5	7.401-931.0	locking ring	1.000	ST
X-X	6	5.582-121.0	Vārstu plate	1.000	ST
X-X	7	5.404-082.0	hollow screw	1.000	ST
X-X	8	6.362-079.0	Gredzenblīve 18,0 X 2,5	1.000	ST
X-X	9	5.332-444.0	Spirālveida atspere	1.000	ST
X-X	10	5.584-114.0	valve pin	1.000	ST
X-X	11	5.311-204.0	Sešstūra uzgrieznis M22 x 1,5	1.000	ST
X-X	12	4.553-198.0	Piston complete only for replacement	1.000	ST
X-X	13	6.362-468.0	Gredzenblīve, pilns komplekts 1ST.-R.	1.000	ST
X-X	14	4.550-998.0	Cylinder head complete only for replacem	1.000	ST
X	15	5.427-469.0	Manifold water intake	1.000	ST
X-X	16	4.422-991.0	Pressure gauge	1.000	ST
X-X	17	4.132-007.0	Spare part	3.000	ST
	18	6.362-458.0	Gredzenblīve 11,0x2,0-NBR 70	3.000	ST
	19	7.306-094.0	Skrūve M6x25 -8.8-R3R (In6Rd)	4.000	ST
X-X	20	2.884-916.0	Valve (3 Stück) from 2.885-299.0	2.000	ST
X-X	21	6.363-536.0	Gredzenblīve 21x1,5	1.000	ST
	22	5.427-438.0	Manifold water intake	1.000	ST
X-X	23	7.306-105.0	Skrūve M6x30 -8.8-R3R (In6Rd)	4.000	ST
X-X	24	5.110-800.0	Uzmava	1.000	ST
X-X	25	6.362-381.0	Gredzenblīve 13x2 - NBR 70	1.000	ST

21 Cylinder head

Overview technical documents/Professional/High pressure cleaner hotwater/Electric motor/HDS 8/17 CX (1.174-321.0)/Spare parts list HDS 8/17 C/CX/20 Pump set/21 Cylinder head

Rez.daļas/nodil.pakļ.daļas	Poz.	Materiāla Nr.	Nosaukums	Daudzums	Pārdoš. vienība
X-X	26	4.580-581.0	Valve	1.000	ST
	27	6.362-427.0	Gredzenblīve 15,0x2,0	1.000	ST
X-X	28	4.580-594.0	Valve complete	1.000	ST
X-X	29	4.440-895.0	Hose SDS	1.000	ST
X-X	30	6.362-853.0	Gredzenblīve 4,47x1,78	1.000	ST
X-X	31	5.402-705.0	Savienotājdetaļa	1.000	ST
X-X	32	4.553-197.0	Valve	2.000	ST
X-X	33	6.363-037.0	Gredzenblīve, pilns komplekts 1ST.-R.	2.000	ST
X-X	34	5.115-796.0	Paplāksne	2.000	ST
X-X	35	5.332-268.0	Spirālveida atspere	2.000	ST
X-X	36	5.411-148.0	Vītņtapa	2.000	ST
X-X	37	5.367-030.0	Membrāna	2.000	ST
X-X	38	5.034-494.0	Retaining bracket	2.000	ST
X-X	39	4.744-225.0	High-pressure outlet complete K5.91M	1.000	ST
X-X	40	4.744-224.0	Switch	1.000	ST
	41	5.003-062.0	Plate	1.000	ST
X-X	42	6.362-533.0	Gredzenblīve 14,0 X 1,5-NBR 70	3.000	ST
X	43	4.132-015.0	Darin plug	1.000	ST
X-X	44	6.362-481.0	Gredzenblīve 14,0 x 2,0 NBR 80	1.000	ST
	45	4.580-295.0	Valve complete	1.000	ST
X-X	46	6.362-703.0	Gredzenblīve 6,0x1,5-NBR 70	1.000	ST
X-X	100	2.884-009.0	Pump set	1.000	ST