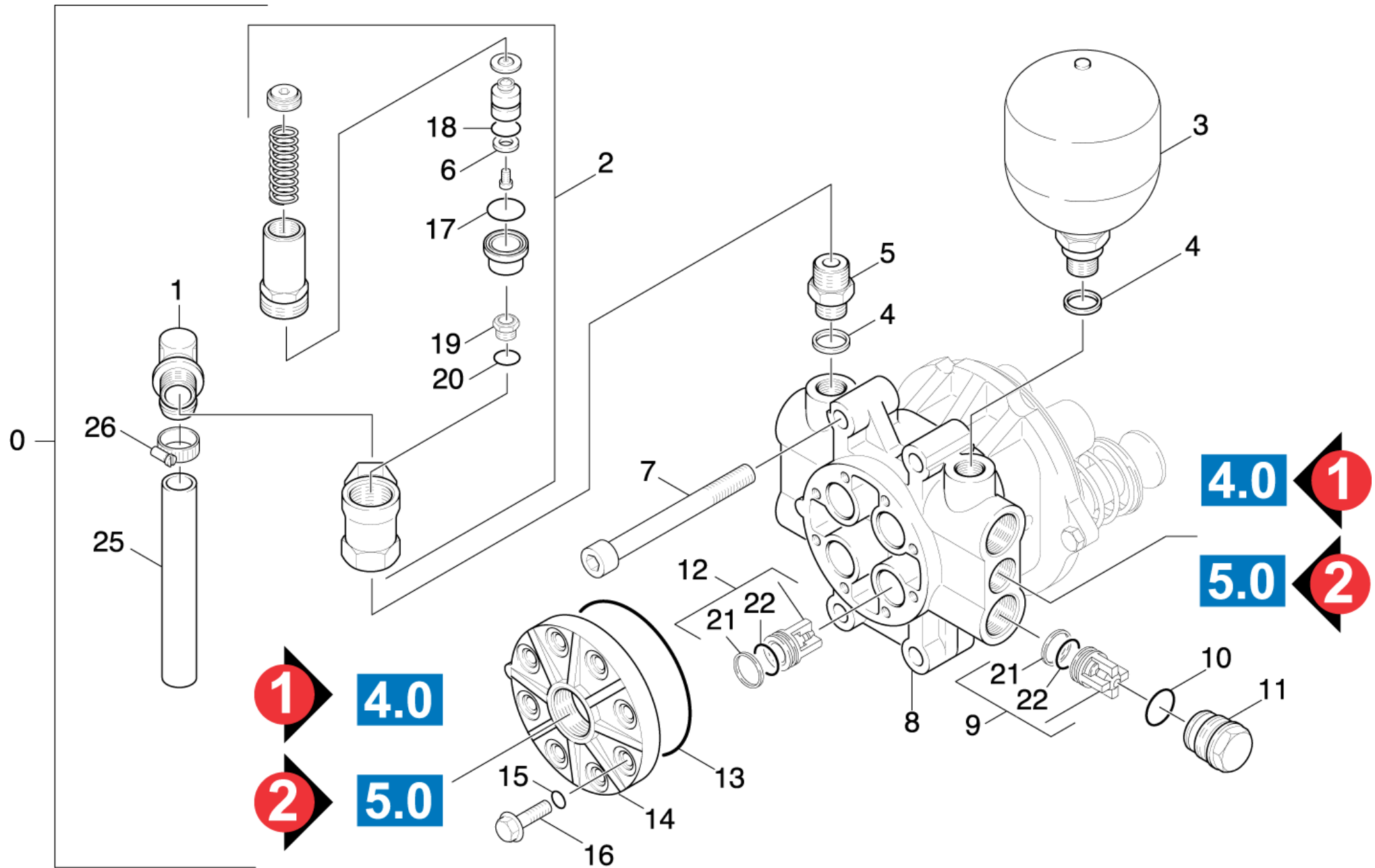


21 Cylinder head

Professional \ Industrial cleaning systems \ High pressure cleaner stationary \ HD 4000 E \ Documentation HD4000E \ Spare parts list HD 4000E/4000C \ Cylinder head and piston \ Cylinder head



21 Cylinder head

Professional \ Industrial cleaning systems \ High pressure cleaner stationary \ HD 4000 E \ Documentation HD4000E \ Spare parts list HD 4000E/4000C \ Cylinder head and piston \ Cylinder head



POS	Article no.	Description	Quantity	Unit	Foot note text
0	3.532-355.0	Pump set 4000 L	1	PC	
0	3.532-420.0	Pump set 4000L	1	PC	
1	5.443-056.0	Hose stem	2	PC	
2	5.580-063.0	Safety valve HD / HDS	2	PC	
3	6.505-036.0	Pressure accumulator	2	PC	
4	7.362-009.0	Joint ring A18x22 -Cu DIN 7603	4	PC	
5	5.403-058.0	Double connection	2	PC	
6	5.363-094.0	Joint ring	2	PC	
7	7.306-121.0	Cylinder head screw M12x120 -8.8-A3E IS	4	PC	
8	5.550-177.0	Cylinder head	2	PC	
9	2.884-920.0	Valve (4 stück)	1	PC	
10	6.362-562.0	O-Ring seal 21,95X 1,78-NBR 90	8	PC	
11	5.583-071.0	Valve screw	8	PC	
12	2.884-920.0	Valve (4 stück)	1	PC	
13	6.362-564.0	O-Ring seal 100,0 X 2,0-NBR 88	2	PC	
14	5.063-292.0	Cover housing	2	PC	
15	6.363-611.0	O-Ring seal 8,73 x 1,78 -NBR	16	PC	
16	7.304-650.0	Hexagonal head screw M 8x25 -8.8-A2E EN 1665	16	PC	
17	6.362-547.0	O-Ring seal 20,0x1,5-NBR 70	2	PC	
18	6.362-381.0	O-Ring seal 13x2 - NBR 70	2	PC	
19	5.581-093.0	Valve seat	2	PC	
20	6.362-482.0	O-Ring seal 10 x 1,5-NBR 70	2	PC	
21	6.362-573.0	Supportring	16	PC	
22	6.362-559.0	O-Ring seal 18,77X 1,78	16	PC	
25	6.388-162.0	Hose DN19 x 4,5	2	m	TO ORDER AS CUT GOODS
26	6.388-508.0	Hose clip 28/ 15	2	PC	
100	2.883-272.0	Pump set (HD-C)	1	PC	