

Spare parts list (1.064-909.0) HDS 5/13 UX *EU

Table of contents

HDS 5/13 UX *EU (1.064-909.0)	5
10 Spare parts list HDS 5/13 UX *EU (5.974-299.0)	7
13 Hose reel complete	14
10 Spare part set (2.884-858.0)	16
11 Spare part set (2.884-857.0)	18
29 Hook (4.037-013.0)	20
33 Motor pump HDS 5/13	21
1 Piston guidance	24
26 Moulded part complete only for replaceme (4.030-069.0)	26
2 Cylinder head	28
13 Valve (3 Stück) (2.884-916.0)	30
14 Suction valve complete (4.580-308.0)	32
22 Joining piece only for replacement (4.030-125.0)	34
36 Drain plug only for replacement (4.132-007.0)	36
56 Valve pin complete (4.584-022.0)	38
70 Nozzle insert only for replacement (4.769-034.0)	40
999 Spare part set chemistry (2.883-862.0)	42
4 Safety system	44
16 Electric box complete (4.800-852.0)	46
903 Pump set (2.883-827.0)	48
1 Suction valve complete (4.580-308.0)	49
2 Valve (3 Stück) (2.884-916.0)	51
3 Joining piece only for replacement (4.030-125.0)	53
12 Moulded part complete only for replaceme (4.030-069.0)	55
13 Drain plug only for replacement (4.132-007.0)	57
42 Holder roller complete	59
44 Boiler	61
1 Vessel mantel complete (4.652-152.0)	63
2 Bottom pressure boiler (4.655-044.0)	65
45 Burner complete	67
2 Conversion kit ignition electrode (2.638-974.0)	69
53 Set mounting parts	72
70 Hose fuel 130mm	74
71 Hose fuel 180mm	75
72 Hose fuel 230mm	76
902 Jet pipe TR 840 mm (4.112-006.0)	77
903 Triple jet nozzle TR 034 (4.117-029.0)	79
1 Triple jet nozzle TR 034	80

Table of contents

904 EASY!Force Advanced (4.118-005.0)	82
9000 Spare part set lever (2.885-483.0)	84
905 Cover tank only for replacement (4.645-315.0)	86
907 Hose assembly TR DN6 25MPa 15m (6.110-036.0)	88
11 HDS 5/13 UX *EU	90
13 Hose reel complete	96
10 Spare part set (2.884-858.0)	98
11 Spare part set (2.884-857.0)	100
29 Hook (4.037-013.0)	102
33 Pump set HDS U 5/13 *EU	103
50 Transmission HDS U 5/15/13/11 *EU (4.553-335.3)	105
51 Pump head complete HDS U 5/15/13/11 *EU	107
101 Piston guidance complete	109
102 Cylinder head complete brass (4.550-942.3)	111
103 Control piston complete replacement (2.885-408.0)	113
104 Valve pin complete (4.584-022.0)	115
105 Plug complete (4.580-702.0)	117
901 Pump set HDC (2.885-377.0)	119
11 Valve pin complete (4.584-022.0)	121
53 Electric box complete HDS U	123
58 Safety system HDS U	125
62 Water intake complete HDS U	127
999 Tool (2.901-048.0)	129
42 Holder roller complete	131
44 Boiler	133
1 Vessel mantel complete (4.652-152.0)	135
2 Bottom pressure boiler (4.655-044.0)	137
45 Burner complete	139
2 Conversion kit ignition electrode (2.638-974.0)	141
70 Hose fuel 130mm	144
71 Hose fuel 180mm	145
72 Hose fuel 230mm	146
902 Jet pipe TR 840 mm (4.112-006.0)	147
903 Triple jet nozzle TR 032 (4.117-027.0)	149
1 Triple jet nozzle TR 032	150
904 EASY!Force Advanced (4.118-005.0)	152
9000 Spare part set lever (2.885-483.0)	154
905 Cover tank only for replacement (4.645-315.0)	156

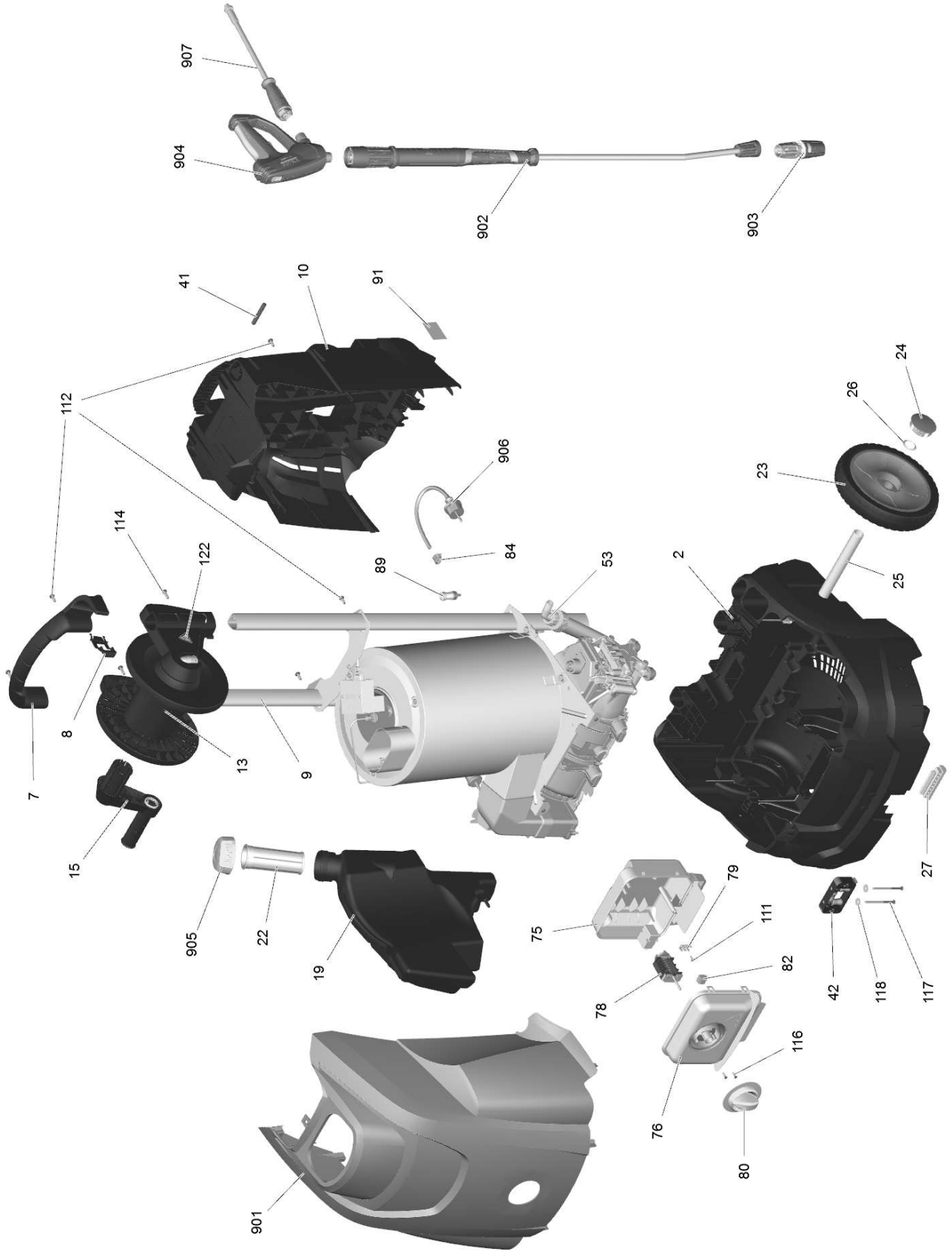
Table of contents

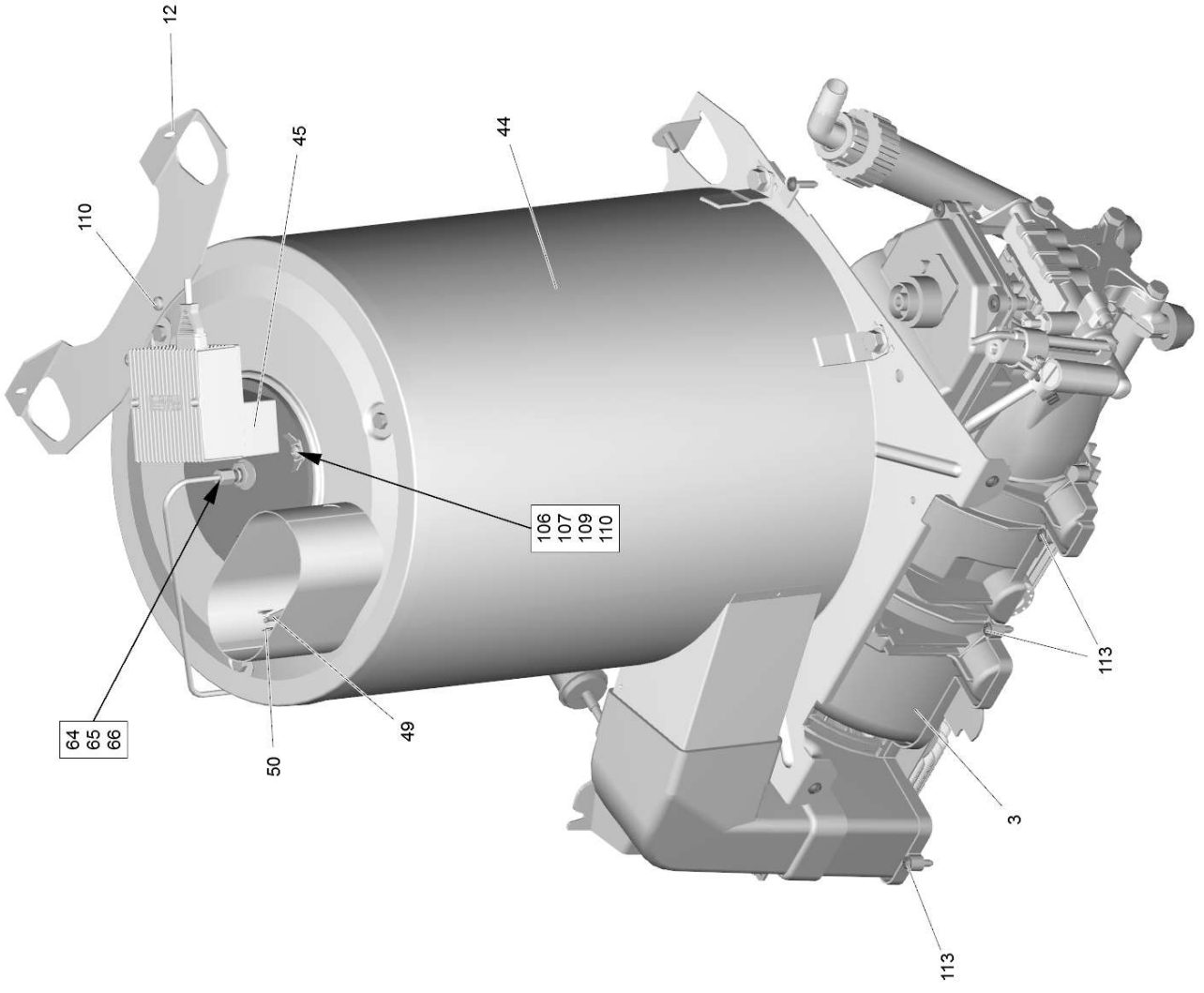
907 Hose assembly TR DN6 25MPa 15m (6.110-036.0)

158

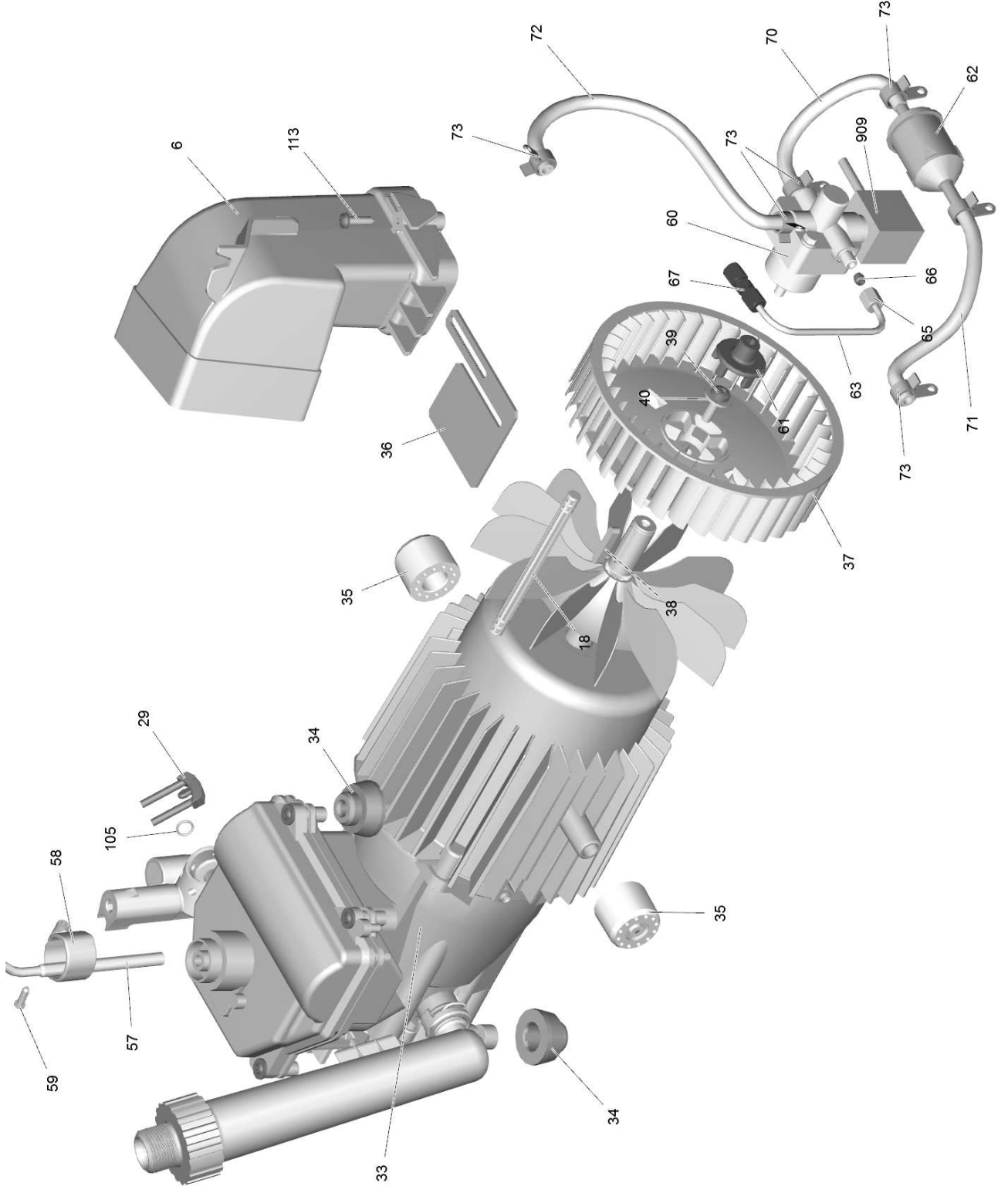
HDS 5/13 UX *EU (1.064-909.0)

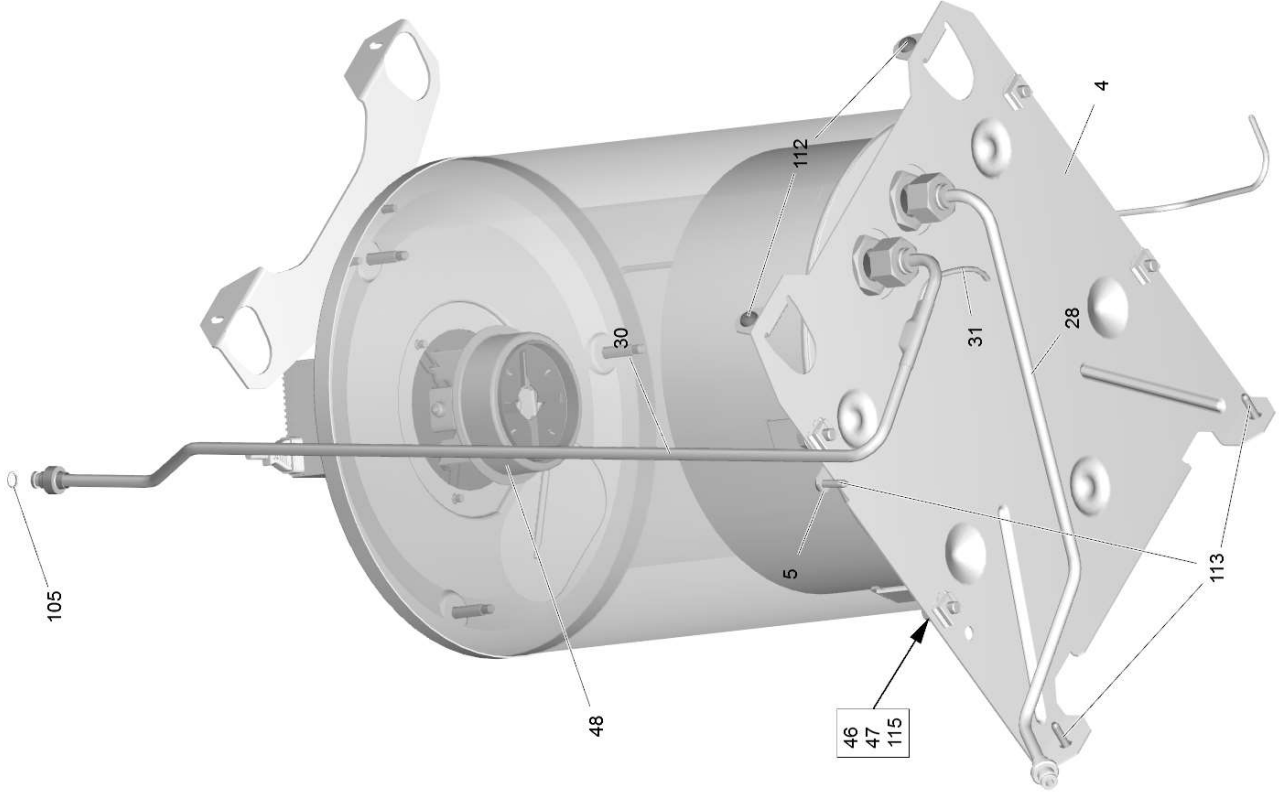
POS	Article no.	Description	Quantity	Unit
11		HDS 5/13 UX *EU	1	PC
10	5.974-299.0	Spare parts list HDS 5/13 UX *EU	1	PC





10 Spare parts list HDS 5/13 UX *EU (5.974-299.0)





10 Spare parts list HDS 5/13 UX *EU (5.974-299.0)

POS	Article no.	Description	Quantity	Unit	Foot note text
13		Hose reel complete	1	PC	
33		Motor pump HDS 5/13	1	PC	
42		Holder roller complete	1	PC	
44		Boiler	1	PC	
45		Burner complete	1	PC	
53		Set mounting parts	1	PC	
70		Hose fuel 130mm	1	PC	
71		Hose fuel 180mm	1	PC	
72		Hose fuel 230mm	1	PC	
57	2.883-384.0	Reed switch replacement	1	PC	
24	2.889-086.0	Set wheel cap	1	PC	
29	4.037-013.0	Hook	1	PC	
901	4.069-023.0	Cover neutrally nur fuer Ersatz	1	PC	
902	4.112-006.0	Jet pipe TR 840 mm	1	PC	
903	4.117-029.0	Triple jet nozzle TR 034	1	PC	
904	4.118-005.0	EASY!Force Advanced	1	PC	
105	4.363-691.0	O-Ring seal kpl. -nur fuer Ersatz-	2	PC	
28	4.422-953.0	Pipelines complete HDS upright	1	PC	
30	4.422-955.3	Pipelines complete HDS upright UX	1	PC	
15	4.481-302.0	Crank complete	1	PC	
23	4.515-320.0	Wheel complete	1	PC	SET OF 2 PIECES
78	4.630-003.0	Rotary switch only for replacement	1	PC	
905	4.645-315.0	Cover tank only for replacement	1	PC	
906	4.649-044.0	Cable with plug nur für Ersatz	1	PC	
109	4.821-125.0	Cable 1,5x1400-GG	1	PC	
89	4.862-225.0	Filter chemistry regulation	1	PC	
4	5.010-349.0	Bottom plate HDS upright	1	PC	
12	5.010-350.0	Plate shearing shackle	1	PC	
18	5.027-215.0	Rod	1	PC	
2	5.033-556.0	Chassis HDS upright	1	PC	
50	5.034-834.0	Holder probe	1	PC	
58	5.041-076.0	Clamp	1	PC	
46	5.044-420.0	Holder	4	PC	

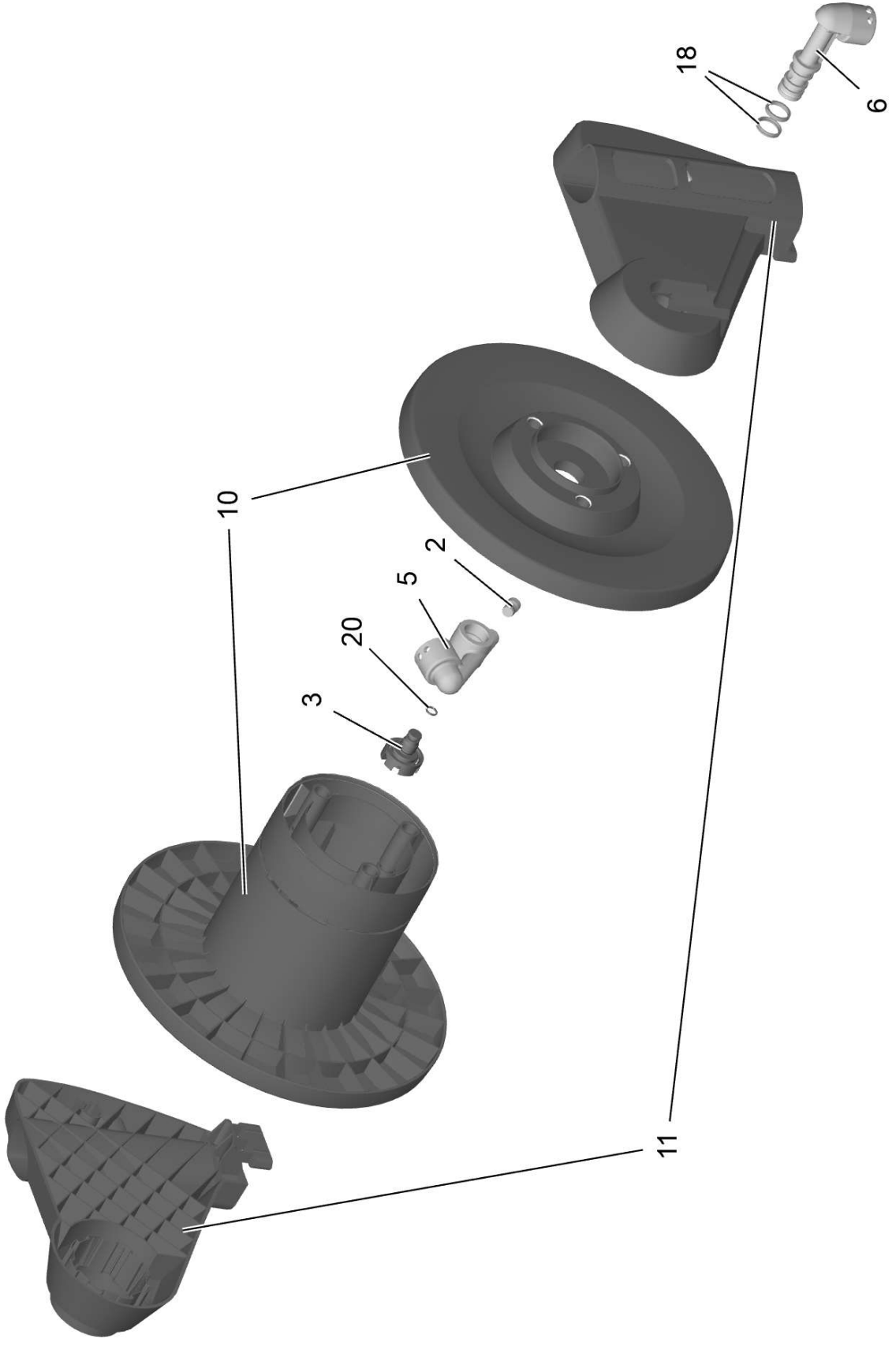
10 Spare parts list HDS 5/13 UX *EU (5.974-299.0)

POS	Article no.	Description	Quantity	Unit	Foot note text
8	5.044-987.0	HOLDER JET PIPE	1	PC	
27	5.057-062.0	Support	1	PC	
76	5.064-353.0	Cover electric box HDS upright	1	PC	
75	5.064-394.0	Bottom electric box	1	PC	
10	5.065-732.3	Rear panel for replacement HDS upright	1	PC	
19	5.071-215.0	Tank fuel HDS upright	1	PC	
25	5.105-649.0	Wheel axle HDS upright	1	PC	
9	5.107-292.0	Bar shearing shackle HDS Upright UX	2	PC	
7	5.321-751.0	Handhold	1	PC	
80	5.322-111.0	Handle	1	PC	
93	5.383-342.0	Label fuel oil einfuellen	1	PC	
91	5.392-966.0	Warning sign	1	PC	
6	5.409-613.0	Adapter for blower	1	PC	
63	5.423-413.0	Conduit fuel	1	PC	
64	5.423-414.0	Conduit fuel	1	PC	
61	5.471-097.0	Coupler fuel pump	1	PC	
5	5.503-018.0	Plate quick lock	1	PC	
41	5.515-351.0	Roller hose guide	1	PC	
37	5.600-062.0	Blower wheel	1	PC	
36	5.606-010.0	Air flap HDS upright	1	PC	
48	5.664-233.0	Flame tube	1	PC	
3	5.692-103.0	Air circulation HDS upright	1	PC	
22	5.731-039.0	Filter	1	PC	
35	5.767-005.0	Rubber buffer	2	PC	
34	5.767-016.0	Rubber buffer	3	PC	
907	6.110-036.0	Hose assembly TR DN6 25MPa 15m	1	PC	
59	6.303-122.0	M4 .2X13 DIN 7981 TORX T15 PAN HD HI/LO	1	PC	
	Item text1: successor of 9.760-120.0				
110	6.303-192.0	Screw M5x12 TX TAPTITE2000	5	PC	
39	6.304-053.0	Screw M6X20-ZNBHL (Precote 30-3)	1	PC	
47	6.310-081.0	Cage nut M 8	4	PC	
26	6.343-162.0	Lock washer D25	2	PC	
65	6.389-262.0	Union nut A 4-LL	2	PC	

10 Spare parts list HDS 5/13 UX *EU (5.974-299.0)

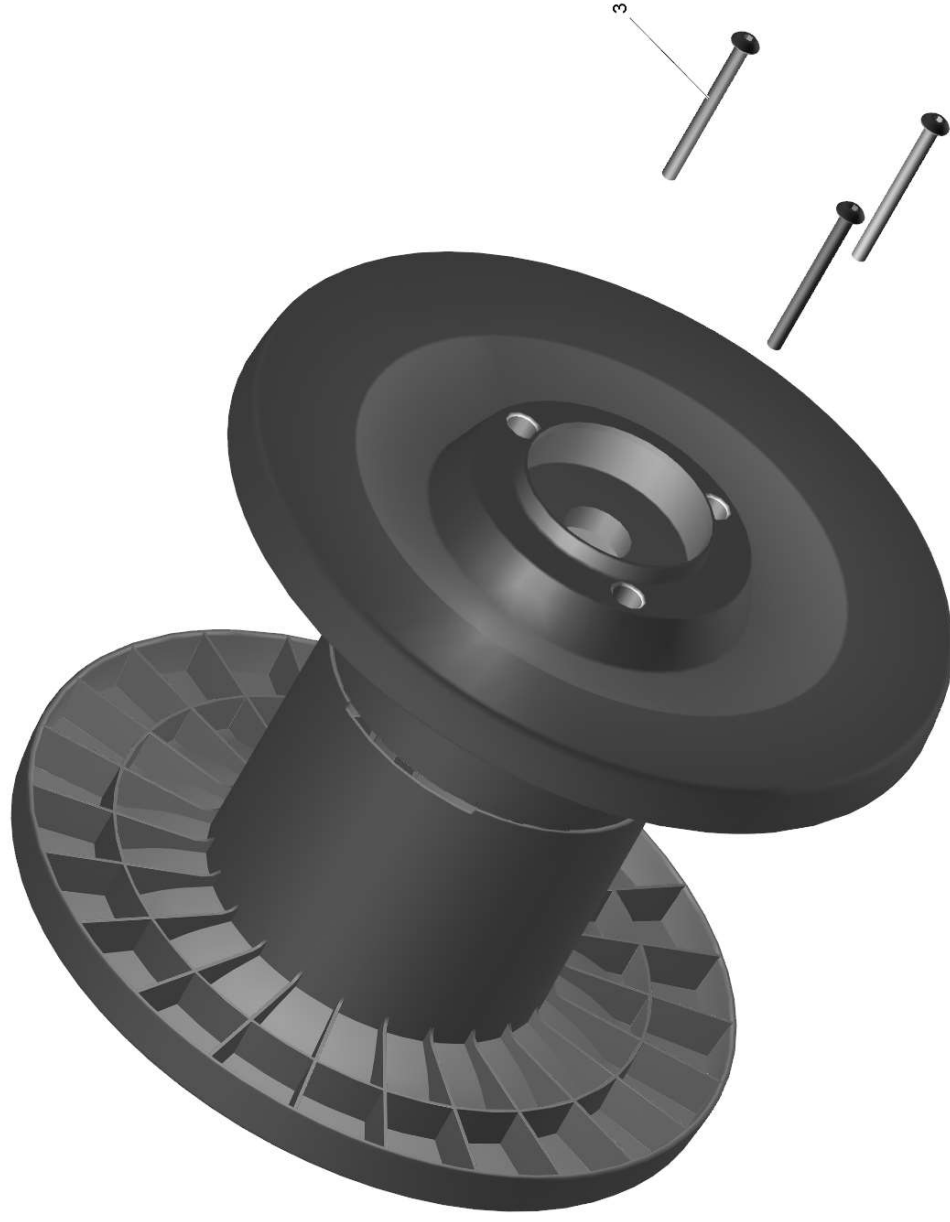
POS	Article no.	Description	Quantity	Unit	Foot note text
66	6.389-263.0	Cutting ring d.4	2	PC	
73	6.389-924.0	Hose clip	6	PC	
67	6.392-208.0	Screw connector	1	PC	
62	6.414-413.0	Fuel filter	1	PC	
60	6.472-992.0	Fuel pump only for replacement	1	PC	
909	6.473-559.0	Coil fuel pump	1	PC	
106	6.641-269.0	Tab	1	PC	
79	6.641-270.0	Plug	1	PC	
56	6.641-463.0	Cable tape	3	PC	
122	6.643-943.0	Warning sign hot	1	PC	
82	6.646-748.0	Clamp for cable 0,08-2,5mm ²	1	PC	
77	6.647-081.0	Cable tape	1	PC	
84	6.647-681.0	Cable clip	1	PC	
31	6.686-469.0	Cable temperature limiter	1	PC	
49	6.686-502.3	Thermostat fixed adjusted	1	PC	
112	7.303-047.0	Screw M6x16 -St-R3R (In6Rd)	8	PC	
114	7.303-048.0	Screw M6x20 -St-R3R (In6Rd)	2	PC	
111	7.303-106.0	Screw 4x12-10.9-R2R (In6Rd)	1	PC	
113	7.303-108.0	Screw 5x20-10.9-R2R (In6Rd)	10	PC	
117	7.303-171.0	Screw 5x80-10.9-R2R (K-In6Rd)	2	PC	
115	7.304-051.0	Hexagonal head screw M8x16 -8.8-P2R EN 1665	4	PC	
116	7.305-019.0	Countersunk screw M4x16 -8.8-P2R (In6Rd)	2	PC	
107	7.312-172.0	Toothed lock washer A5,3-FSt-A3E DIN 6797	1	PC	
40	7.312-276.0	Washer 6-200HV-A2E ISO 7093-1	1	PC	
118	7.312-278.0	Washer 5-200HV-A2E ISO7093-1	2	PC	
38	7.318-005.0	Parallel key A5x5x28-C45+C DIN 6885-1	1	PC	
59	9.760-120.0	Screw d.4,2x13 (9.086-192)	1	PC	
	Item text1: replaced by 6.303-122.0				

13 Hose reel complete



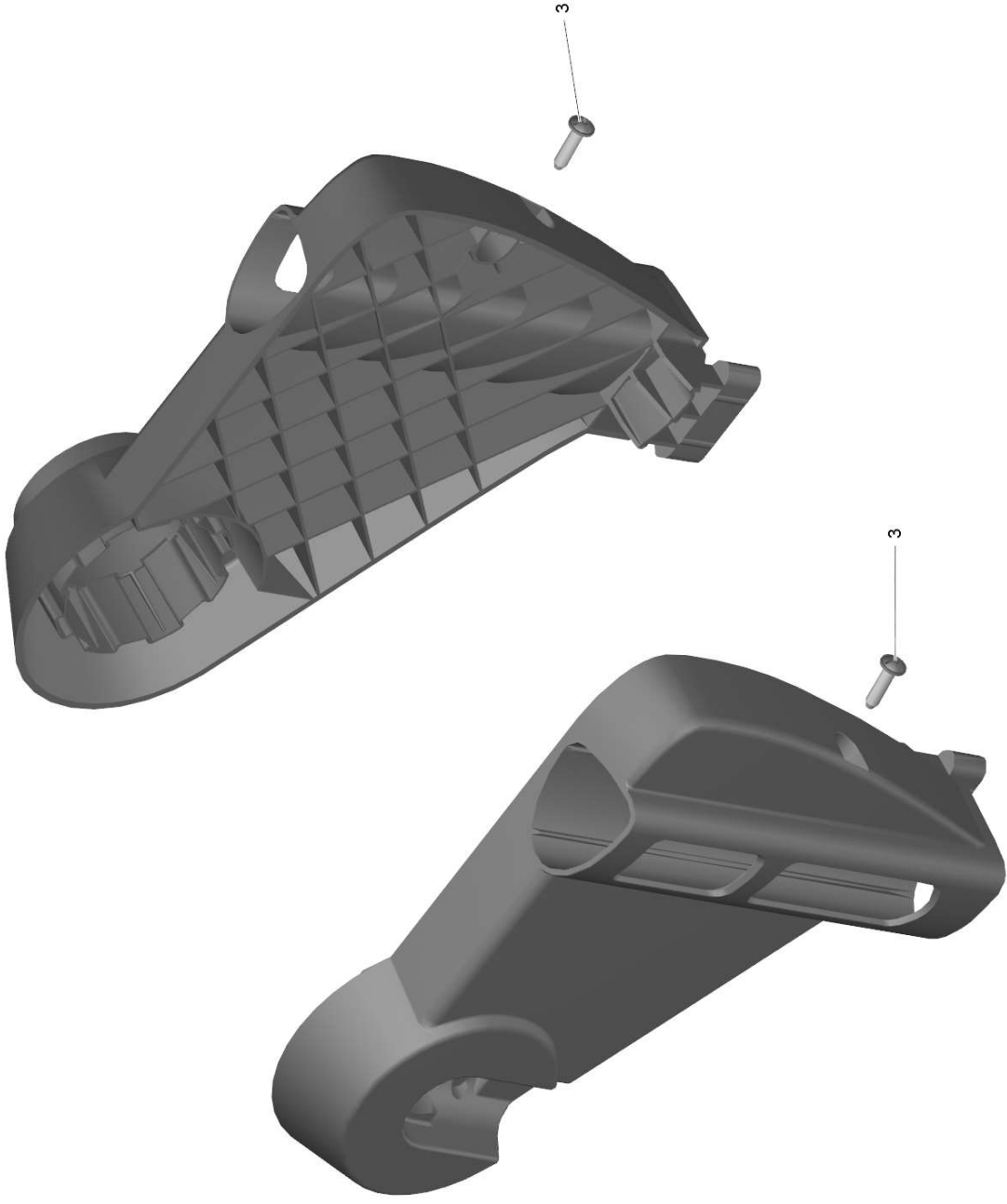
13 Hose reel complete

POS	Article no.	Description	Quantity	Unit
11	2.884-857.0	Spare part set	1	PC
10	2.884-858.0	Spare part set	1	PC
18	4.363-693.0	O-Ring seal kpl. -nur fuer Ersatz-	2	PC
3	4.411-012.0	Screw plug complete M10x1	1	PC
2	5.411-161.0	CLOSING SCREW M10X1	1	PC
5	5.427-326.0	Manifold	1	PC
6	5.427-328.3	Manifold for replacement	1	PC
20	6.362-703.0	O-Ring seal 6,0x1,5-NBR 70	2	PC



10 Spare part set (2.884-858.0)

POS	Article no.	Description	Quantity	Unit
3	6.303-329,0	Screw 5x60 - St. verz. bl.	3	PC

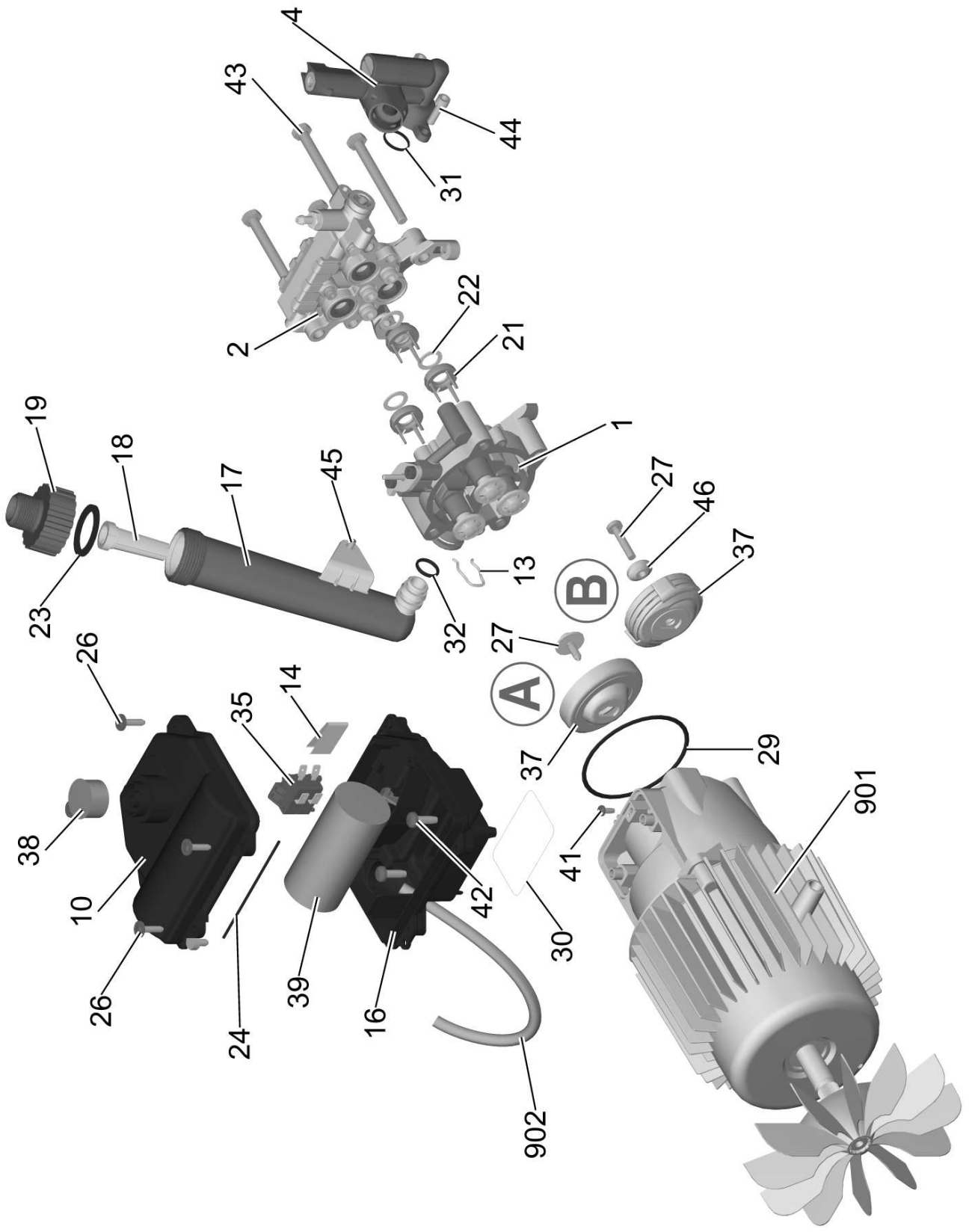


11 Spare part set (2.884-857.0)

POS	Article no.	Description	Quantity	Unit
3	7.303-048.0	Screw M6x20 -St-R3R (In6Rd)	2	PC

29 Hook (4.037-013.0)

POS	Article no.	Description	Quantity	Unit
1	5.037-109.0	HOOK	1	PC

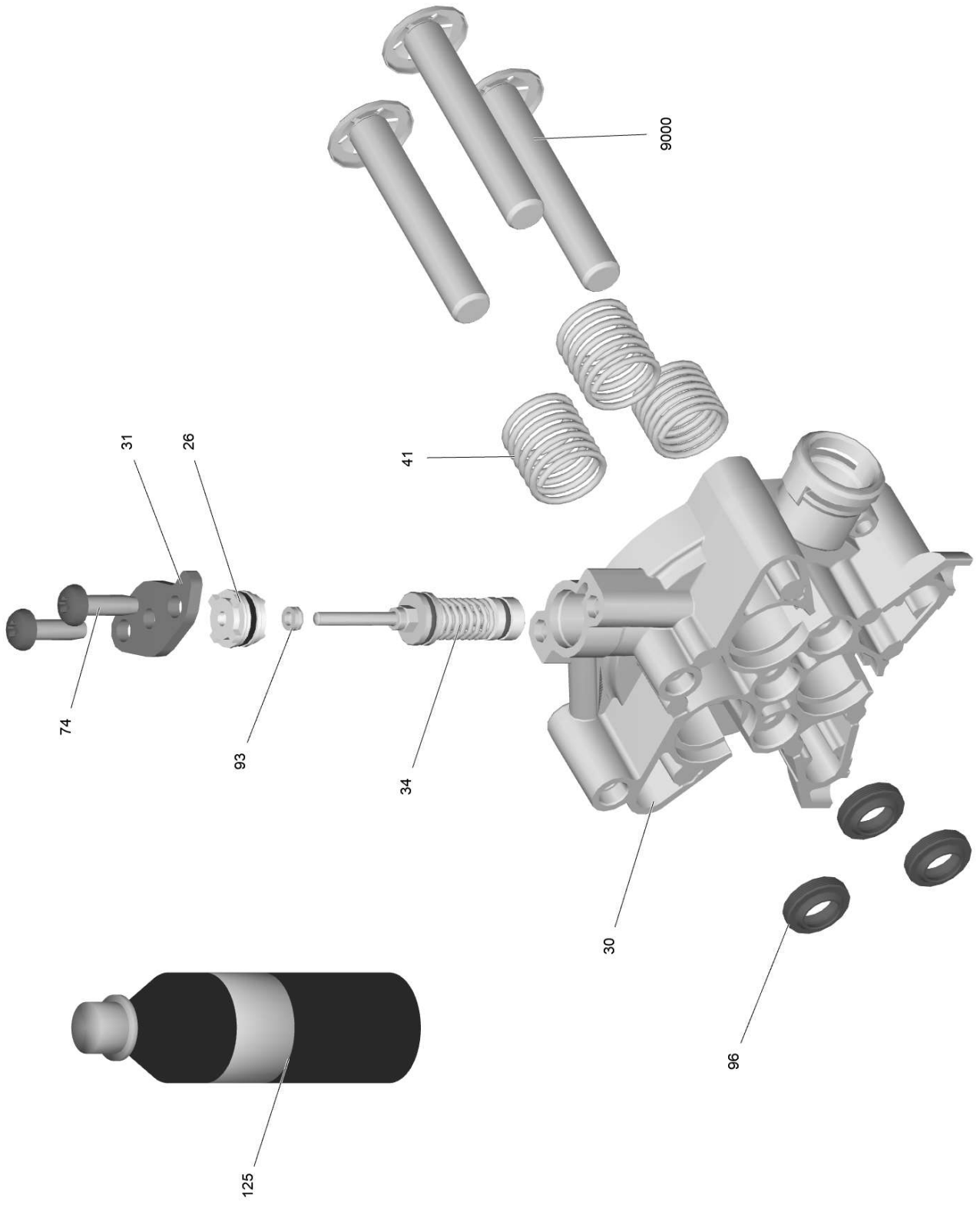


33 Motor pump HDS 5/13

POS	Article no.	Description	Quantity	Unit	Foot note text
1		Piston guidance	1	PC	
2		Cylinder head	1	PC	
4		Safety system	1	PC	
903	2.883-827.0	Pump set	1	PC	
37	4.120-029.3	Wobble plate complete 11 °43' G7/2-H D17 10	1	PC	VERSION B
901	4.624-048.3	Motor complete nur für Ersatz	1	PC	
902	4.649-043.0	Cable motor only for replacement	1	PC	
16	4.800-852.0	Electric box complete	1	PC	
13	5.048-915.0	Clamp	1	PC	
10	5.064-037.0	Cover electric box	1	PC	
19	5.064-462.0	Cover water intake	1	PC	
46	5.115-069.3	Washer d6,3 G7/2	1	PC	VERSION B
22	5.115-721.0	Washer	3	PC	
21	5.116-062.0	Washer	3	PC	
17	5.129-201.0	Tube water intake	1	PC	
14	5.337-027.0	Plate spring	1	PC	
23	5.363-336.0	Seal	1	PC	
18	5.731-634.0	Water filter	1	PC	
24	6.273-194.0	Cord cellular rubber	1	PC	
26	6.303-125.0	Screw 5x20-Sonder In6Rd+Spitze	4	PC	
27	6.304-175.0	Cylinder head screw M6x19	1	PC	VERSION A
29	6.362-471.0	O-Ring seal 80,0 X 3,0 -NBR 70	1	PC	
31	6.362-580.0	O-Ring seal 17,0 X 2,0-NBR 70	1	PC	
30	6.362-887.0	O-Ring seal 65,0 X 2,5	1	PC	
32	6.363-610.0	O-Ring seal 13 x 3 -NBR	1	PC	
38	6.368-138.0	Protecting cap	1	PC	
37	6.401-289.3	Wobble plate	1	PC	VERSION A
	Item text1: replaced by 4.120-029.3				
35	6.631-946.0	Micro switch	1	PC	
34	6.647-748.0	Insulation sheath	1	PC	
39	6.661-129.0	Capacitor 25MF	1	PC	
41	7.303-031.0	Screw M4x10 -St-P2R (In6Rd)	1	PC	
45	7.303-037.0	Screw M5x10 -St-P2R (In6Rd)	1	PC	

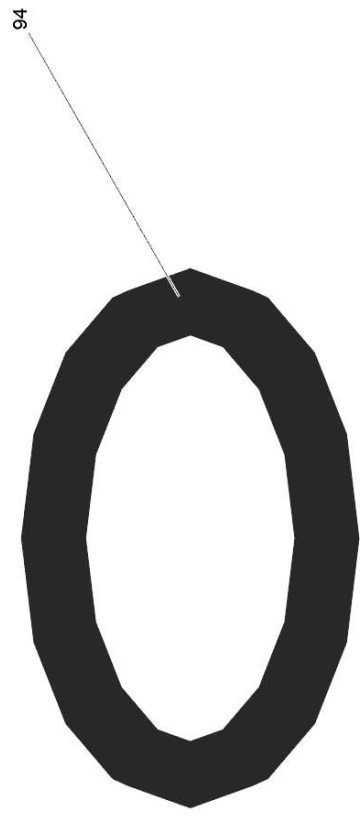
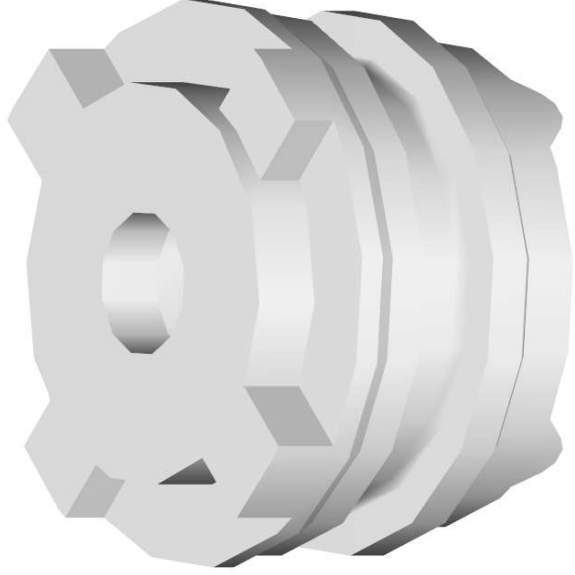
33 Motor pump HDS 5/13

POS	Article no.	Description	Quantity	Unit	Foot note text
42	7.303-048.0	Screw M6x20 -St-R3R (In6Rd)	2	PC	
43	7.304-098.0	Hexagonal head screw M8x80-8.8-A2E ISO 4014	4	PC	
44	7.306-022.0	Cylinder head screw M6x20-8.8-A2E ISO 4762	2	PC	
27	7.306-105.0	Screw M6x30 -8.8-R3R (In6Rd)	1	PC	VERSION B



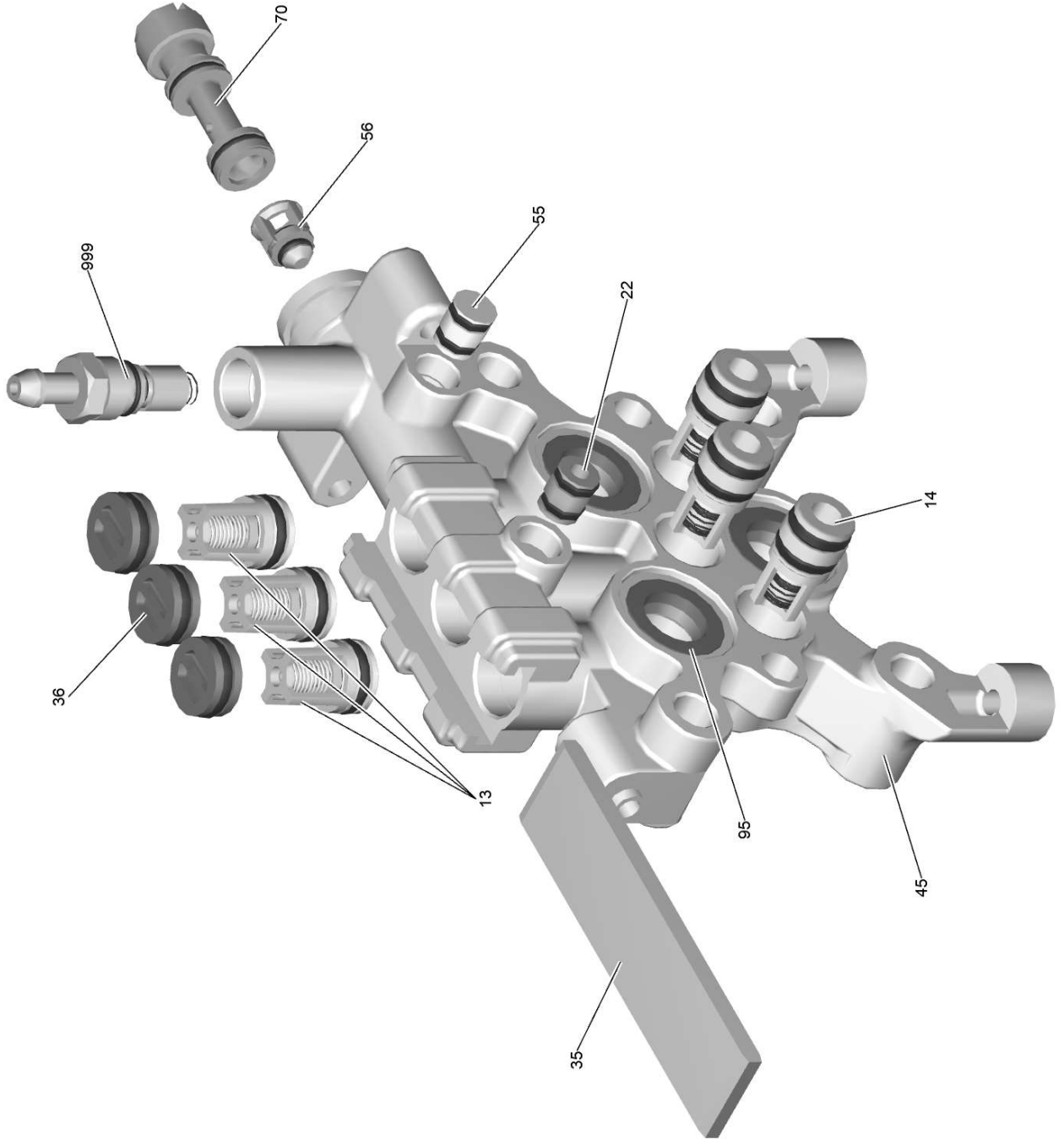
1 Piston guidance

POS	Article no.	Description	Quantity	Unit
26	4.030-069.0	Moulded part complete only for replaceme	1	PC
9000	4.553-234.0	Piston complete only for replacement D12	3	PC
34	4.580-325.3	Excess-current complete for replacement	1	PC
30	5.060-094.3	Piston guidance only for replacement	1	PC
31	5.064-127.0	Cover	1	PC
41	5.332-391.0	Pressure spring	3	PC
125	6.288-050.0	Engine oil 1L	1	PC
93	6.362-852.0	O-Ring seal complete 3,69	1	PC
96	6.365-001.0	Grooved ring 12x20x4/6	3	PC
96	6.365-414.0	Grooved ring 12X20X5/6	3	PC
	Item text1: replaced by 6.365-001.0			
74	7.303-048.0	Screw M6x20 -St-R3R (In6Rd)	2	PC



26 Moulded part complete only for replaceme (4.030-069.0)

POS	Article no.	Description	Quantity	Unit
94	6.362-169.0	O-Ring seal 12,0 X 2,0	1	PC



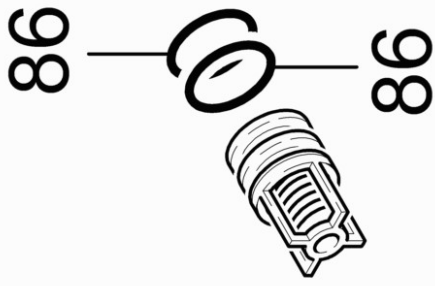
2 Cylinder head

POS	Article no.	Description	Quantity	Unit
999	2.883-862.0	Spare part set chemistry	1	PC
13	2.884-916.0	Valve (3 Stück)	1	PC
55	4.030-070.0	Throttle complete	1	PC
22	4.030-125.0	Joining piece only for replacement	1	PC
36	4.132-007.0	Drain plug only for replacement	3	PC
14	4.580-308.0	Suction valve complete	3	PC
56	4.584-022.0	Valve pin complete	1	PC
70	4.769-034.0	Nozzle insert only for replacement	1	PC
35	5.003-062.0	Plate	1	PC
45	5.550-304.3	Cylinder head	1	PC
95	6.365-574.0	Grooved ring	3	PC
1000	7.401-903.0	Sphere 7 G20 -1.4034 DIN 5401	1	PC



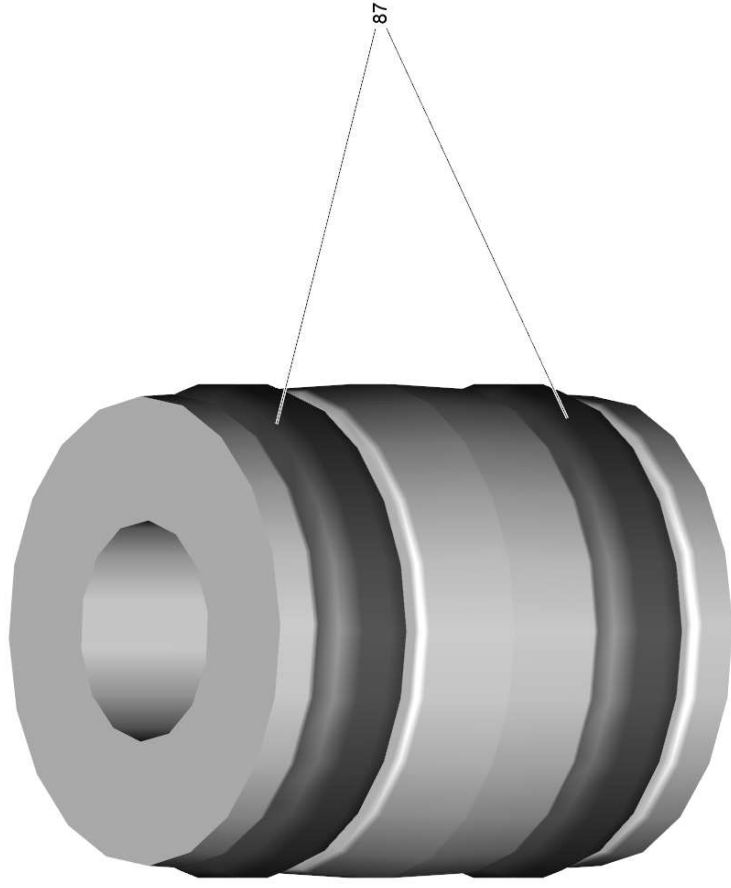
13 Valve (3 Stück) (2.884-916.0)

POS	Article no.	Description	Quantity	Unit
15	6.362-077.0	O-Ring seal 10 x 2,2 NBR 70	3	PC



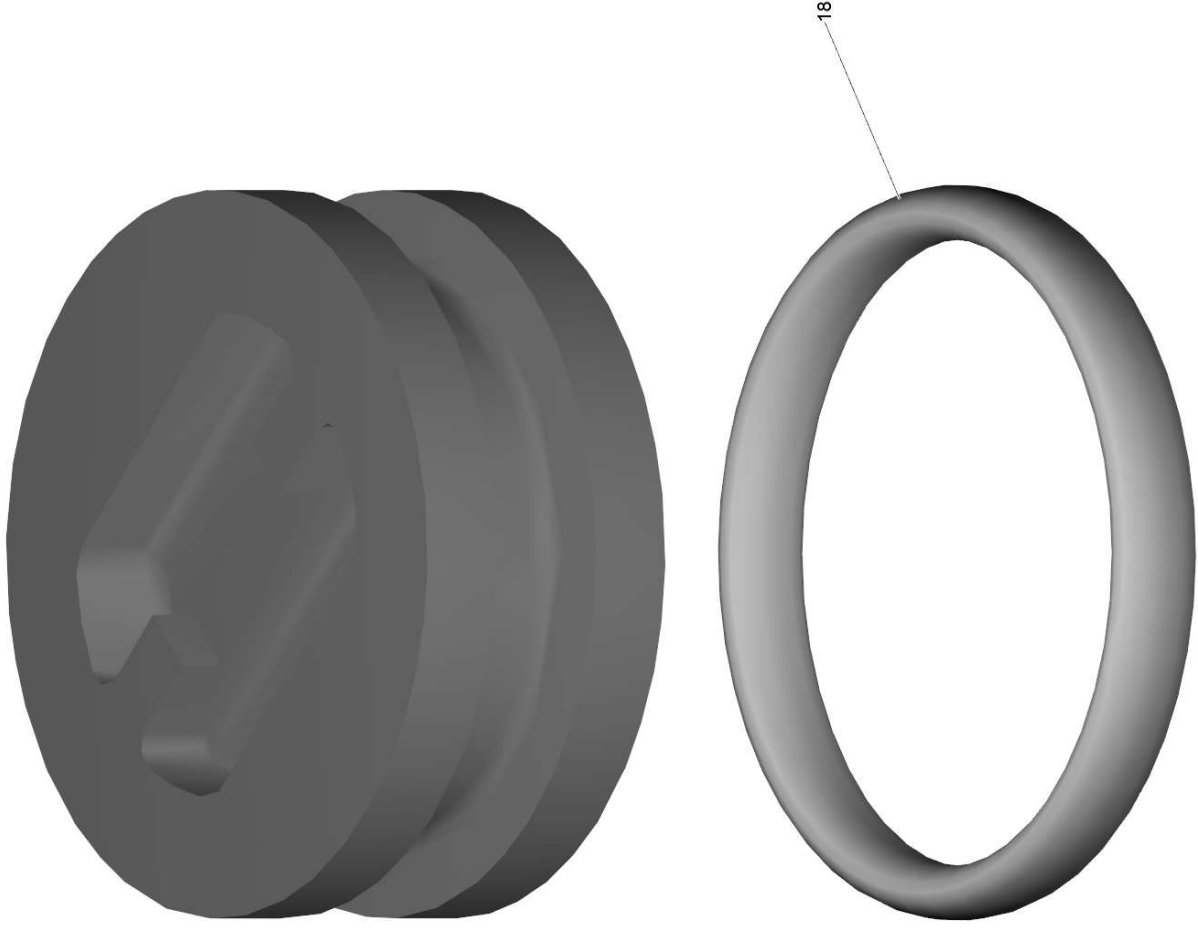
14 Suction valve complete (4.580-308.0)

POS	Article no.	Description	Quantity	Unit
86	6.363-614.0	O-Ring seal 9 x 2 -NBR90	2	PC



22 Joining piece only for replacement (4.030-125.0)

POS	Article no.	Description	Quantity	Unit
87	6.362-176.0	O-Ring seal 6,07x1,78	2	PC



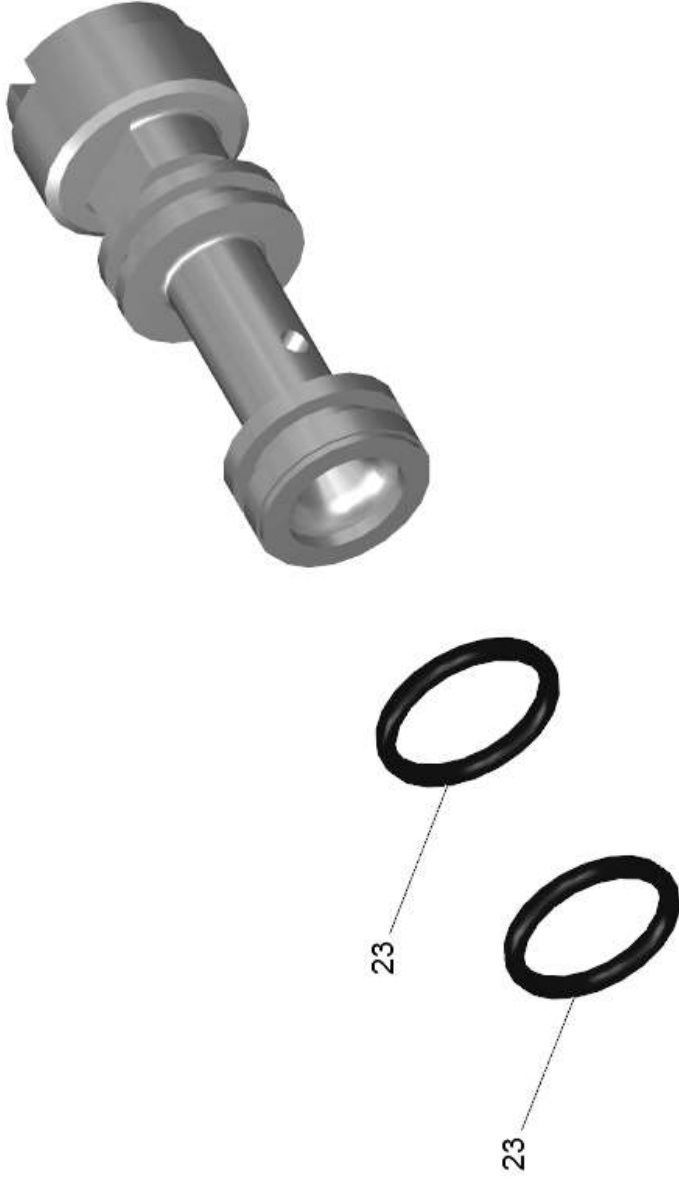
36 Drain plug only for replacement (4.132-007.0)

POS	Article no.	Description	Quantity	Unit
18	6.362-458.0	O-Ring seal 11,0x2,0-NBR 70	1	PC



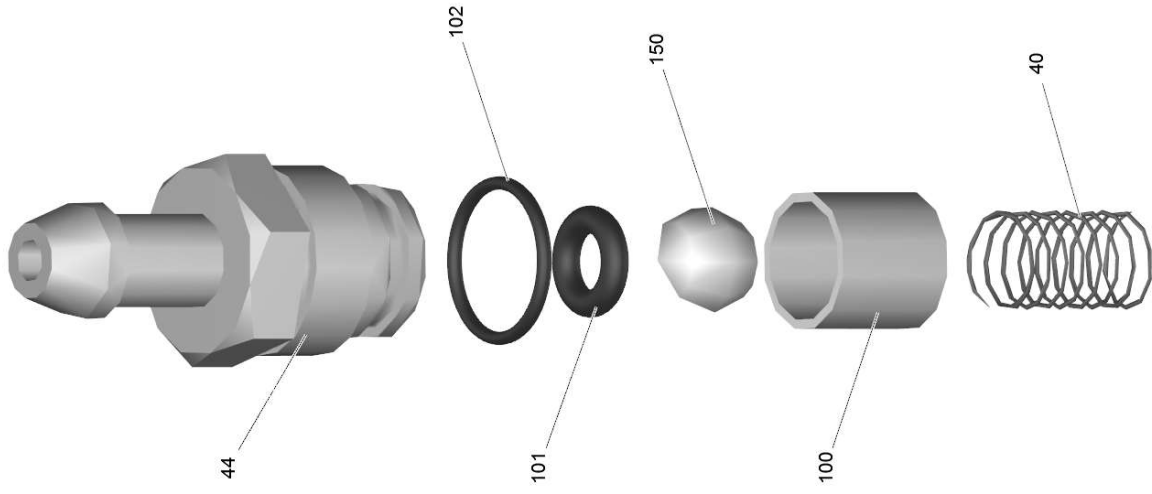
56 Valve pin complete (4.584-022.0)

POS	Article no.	Description	Quantity	Unit
208	6.363-613.0	O-Ring seal 4 x 2 -NBR90	1	PC



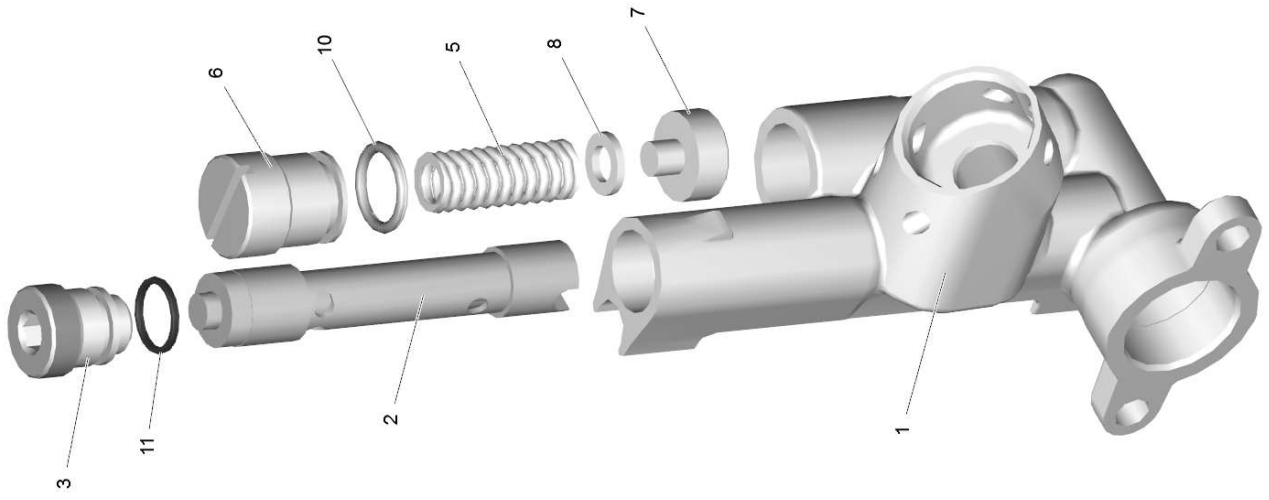
70 Nozzle insert only for replacement (4.769-034.0)

POS	Article no.	Description	Quantity	Unit
23	6.362-384.0	O-Ring seal 9x1,5 - NBR 70	2	PC



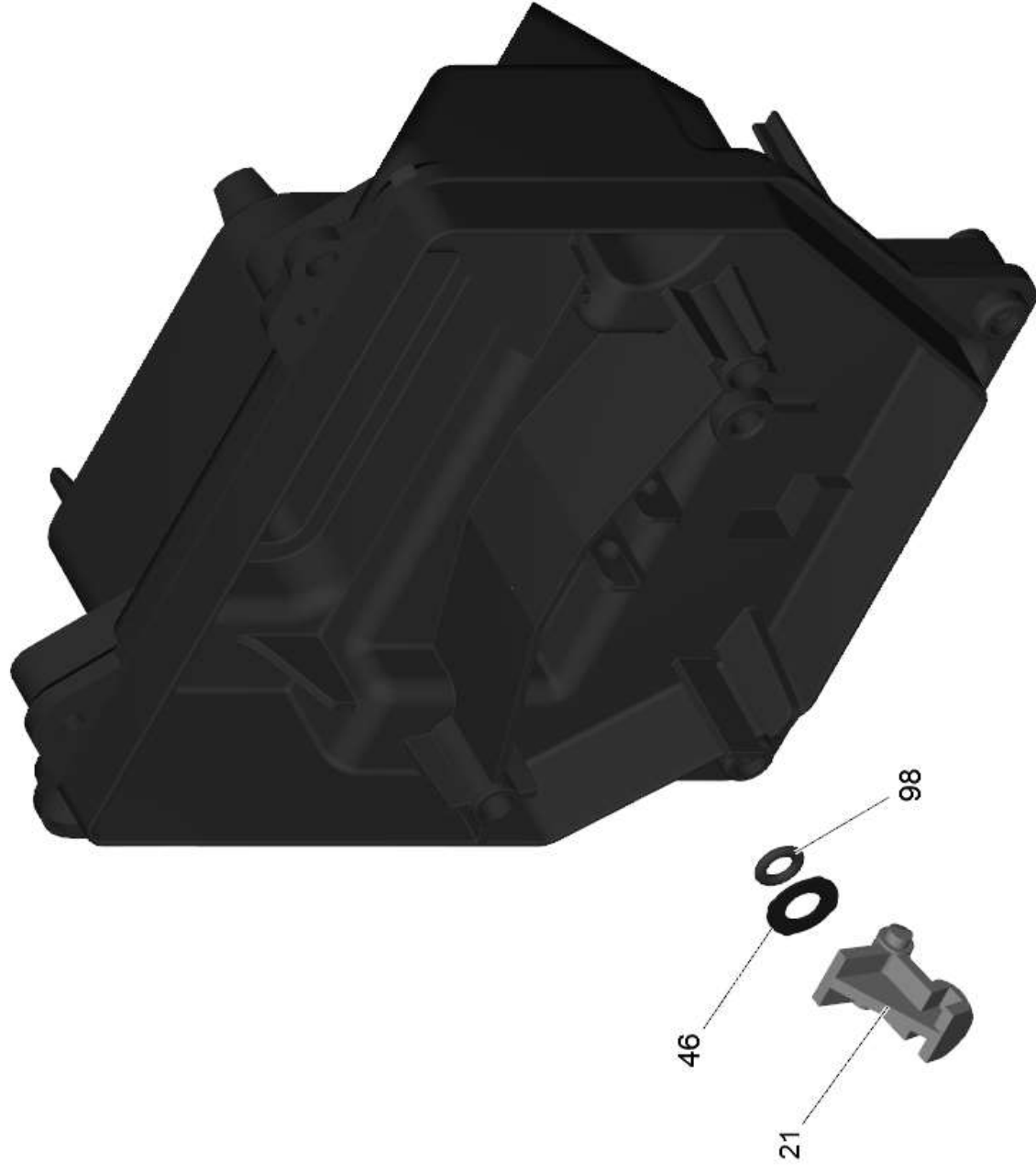
999 Spare part set chemistry (2.883-862.0)

POS	Article no.	Description	Quantity	Unit
110		Label spare parts neutrally 65x55 MM	1	ZST
100	5.110-714.0	Sleeve	1	PC
40	5.332-258.0	Helical spring	1	PC
44	5.443-448.0	Nipple chemistry	1	PC
102	6.362-451.0	O-Ring seal 8,0 x 1,0	1	PC
101	6.363-597.0	O-Ring seal 5,28 x 1,78	1	PC
150	7.401-908.0	Sphere 7 G300 -1.4301 DIN 5401	1	PC



4 Safety system

POS	Article no.	Description	Quantity	Unit
2	4.551-058.0	Cartridge protection against water short	1	PC
8	5.115-260.0	Washer	1	PC
3	5.305-162.0	Shaped screw	1	PC
5	5.332-414.0	Helical spring	1	PC
1	5.427-454.3	Manifold	1	PC
7	5.581-349.0	Valve disc	1	PC
6	5.583-096.0	Valve screw	1	PC
10	6.362-169.0	O-Ring seal 12,0 X 2,0	1	PC
11	6.362-482.0	O-Ring seal 10 x 1,5-NBR 70	1	PC



16 Electric box complete (4.800-852.0)

POS	Article no.	Description	Quantity	Unit
21	4.047-003.0	Rocker switch cpl.	1	PC
46	5.115-610.0	Washer	1	PC
98	6.506-019.0	O-Ring seal 3,68X 1,78	1	PC

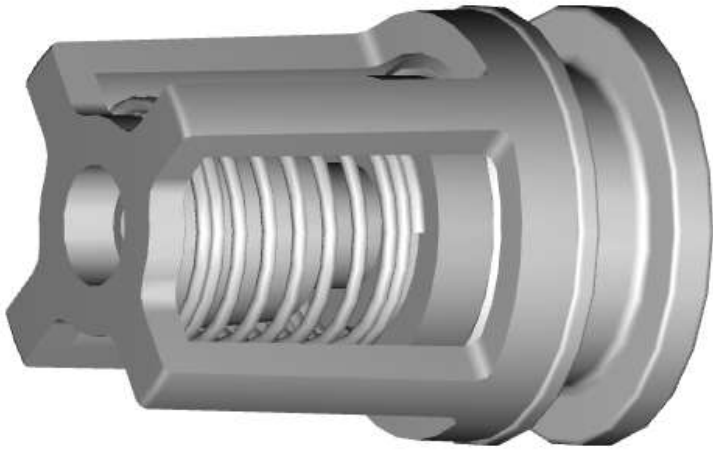
903 Pump set (2.883-827.0)

POS	Article no.	Description	Quantity	Unit
2	2.884-916.0	Valve (3 Stück)	1	PC
12	4.030-069.0	Moulded part complete only for replaceme	1	PC
4	4.030-070.0	Throttle complete	1	PC
3	4.030-125.0	Joining piece only for replacement	1	PC
13	4.132-007.0	Drain plug only for replacement	3	PC
1	4.580-308.0	Suction valve complete	3	PC
10	4.580-325.3	Excess-current complete for replacement	1	PC
8	5.064-127.0	Cover	1	PC
7	5.115-720.0	Washer	3	PC
14	5.115-721.0	Washer	3	PC
6	6.288-088.0	Grease Molikote 55 M	1	PC
11	6.362-852.0	O-Ring seal complete 3,69	1	PC
5	6.365-574.0	Grooved ring	3	PC
16	7.303-047.0	Screw M6x16 -St-R3R (In6Rd)	2	PC
9	7.306-090.0	Screw M6x16 -8.8-P2R (In6Rd)	2	PC
15	7.311-003.0	Hexagon nut M6 -8-A2E ISO 4032	2	PC



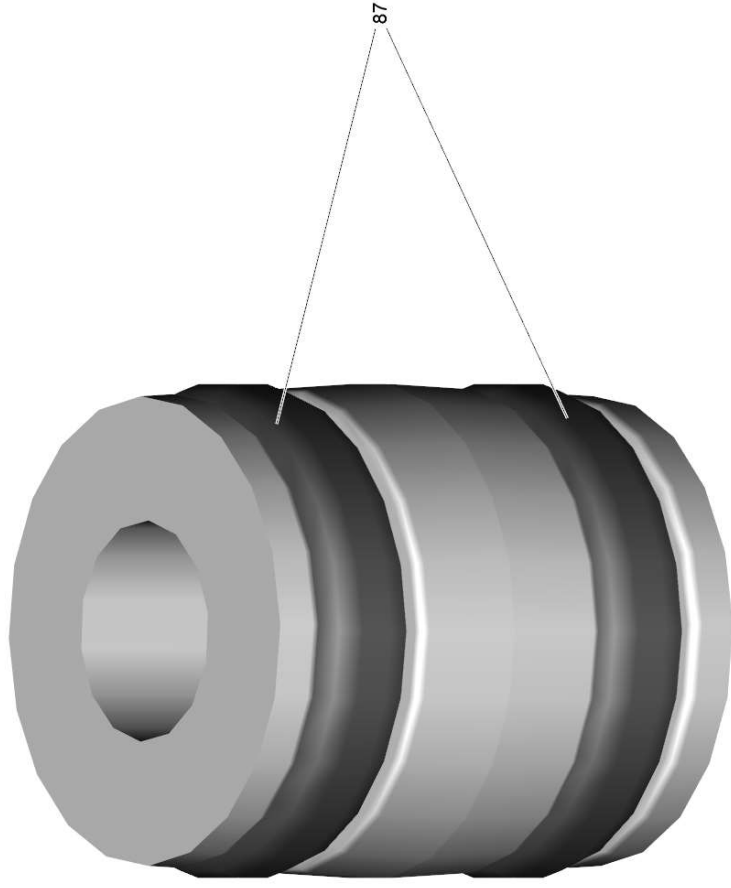
1 Suction valve complete (4.580-308.0)

POS	Article no.	Description	Quantity	Unit
86	6.363-614.0	O-Ring seal 9 x 2 -NBR90	2	PC



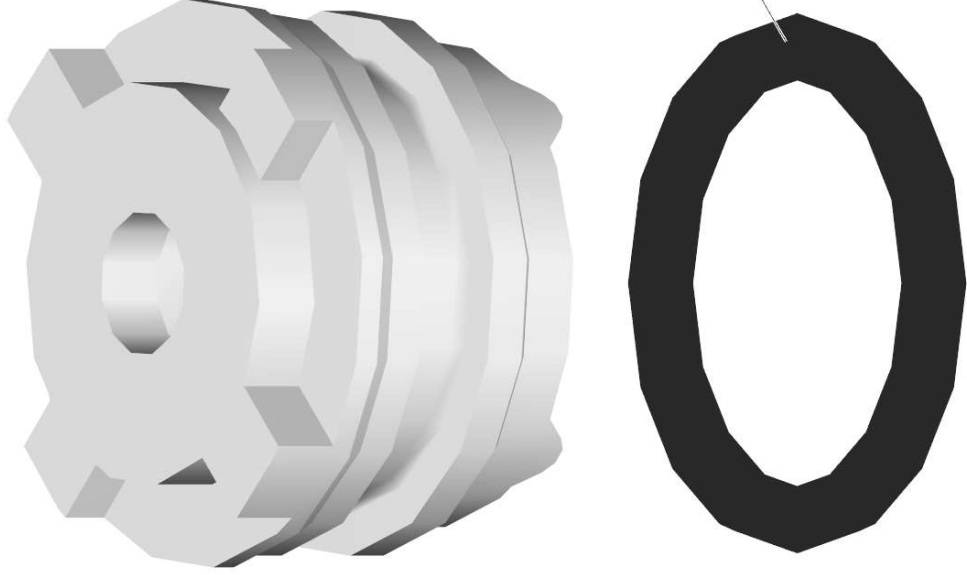
2 Valve (3 Stück) (2.884-916.0)

POS	Article no.	Description	Quantity	Unit
15	6.362-077.0	O-Ring seal 10 x 2,2 NBR 70	3	PC



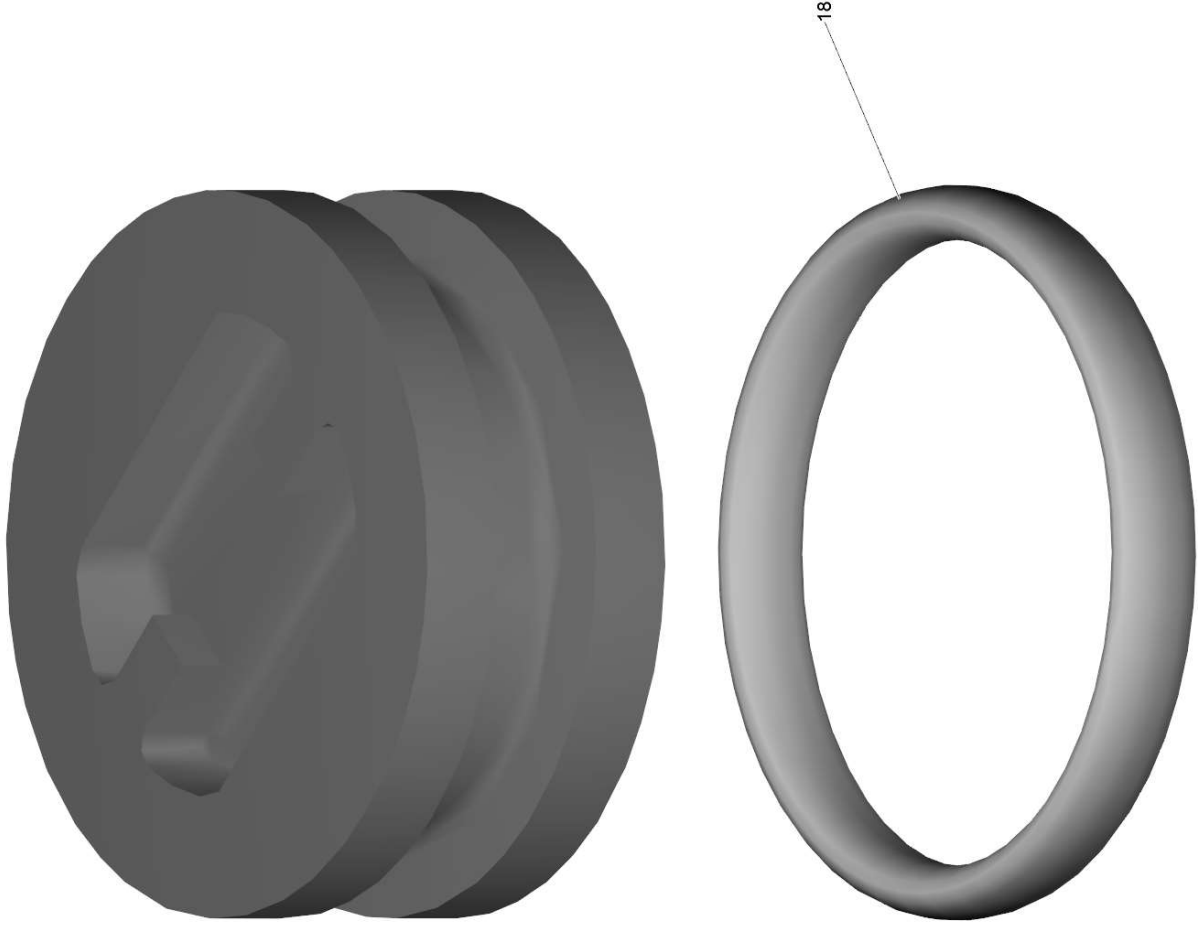
3 Joining piece only for replacement (4.030-125.0)

POS	Article no.	Description	Quantity	Unit
87	6.362-176.0	O-Ring seal 6,07x1,78	2	PC



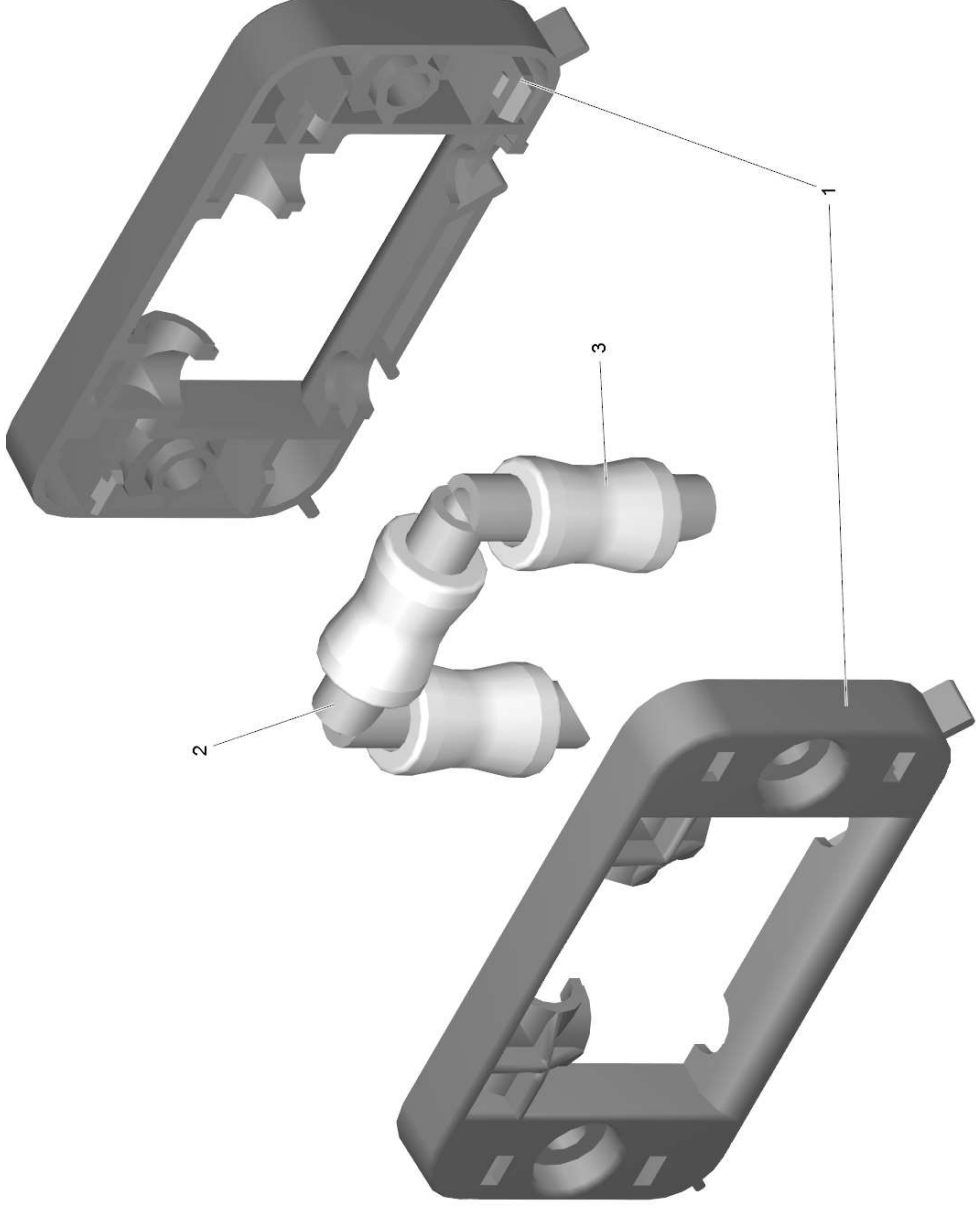
12 Moulded part complete only for replaceme (4.030-069.0)

POS	Article no.	Description	Quantity	Unit
94	6.362-169.0	O-Ring seal 12,0 X 2,0	1	PC



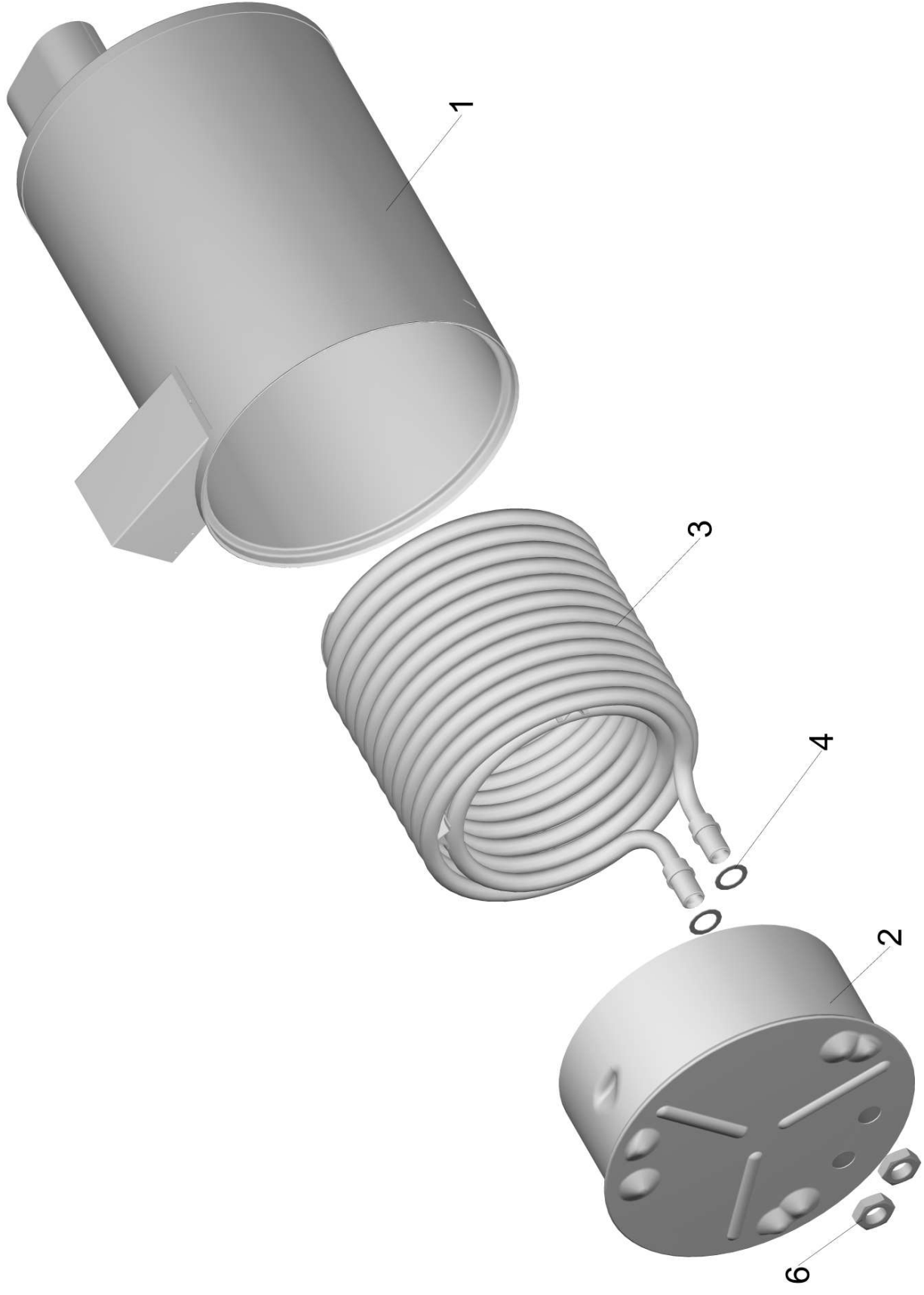
13 Drain plug only for replacement (4.132-007.0)

POS	Article no.	Description	Quantity	Unit
18	6.362-458.0	O-Ring seal 11,0x2,0-NBR 70	1	PC



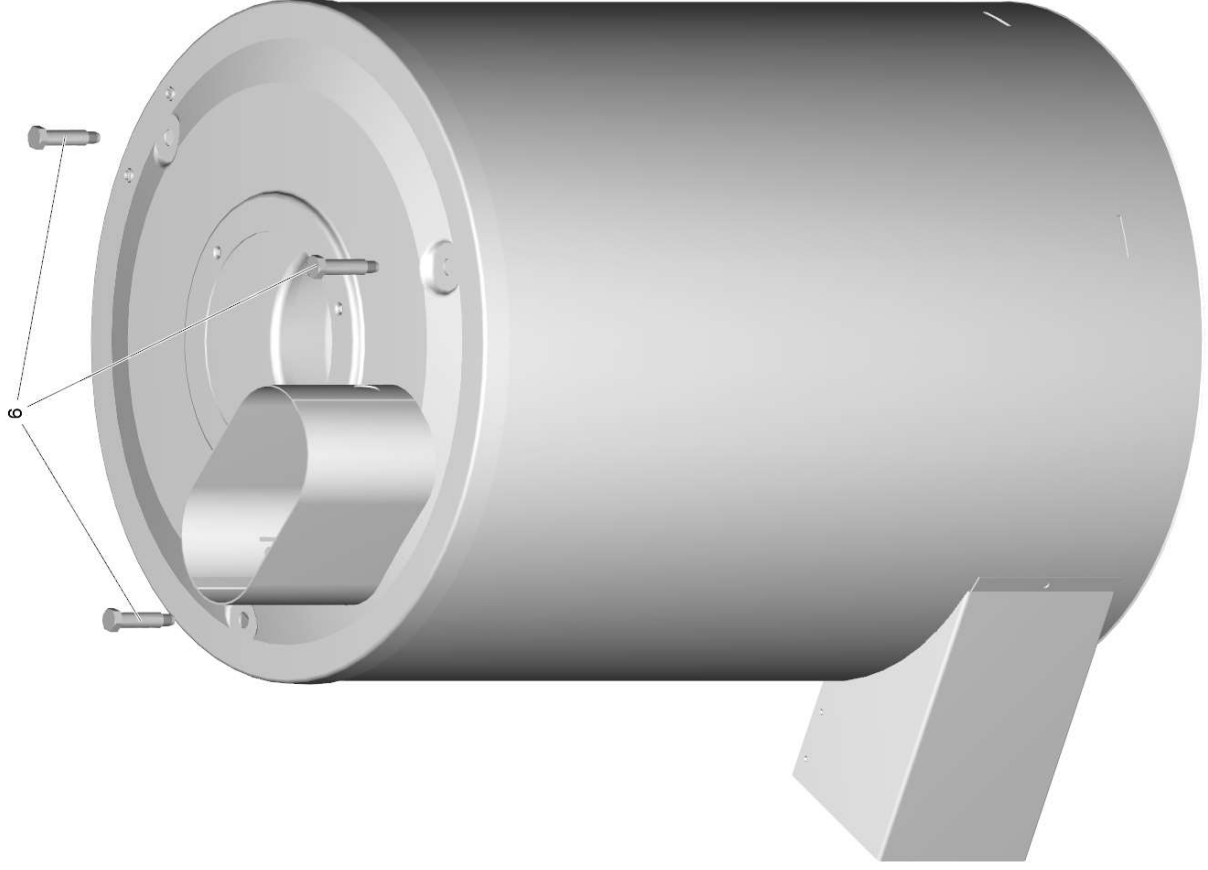
42 Holder roller complete

POS	Article no.	Description	Quantity	Unit
1	5.044-646.0	Holder roller front	2	PC
2	5.128-511.0	Axle	3	PC
3	5.515-191.0	Roller	3	PC



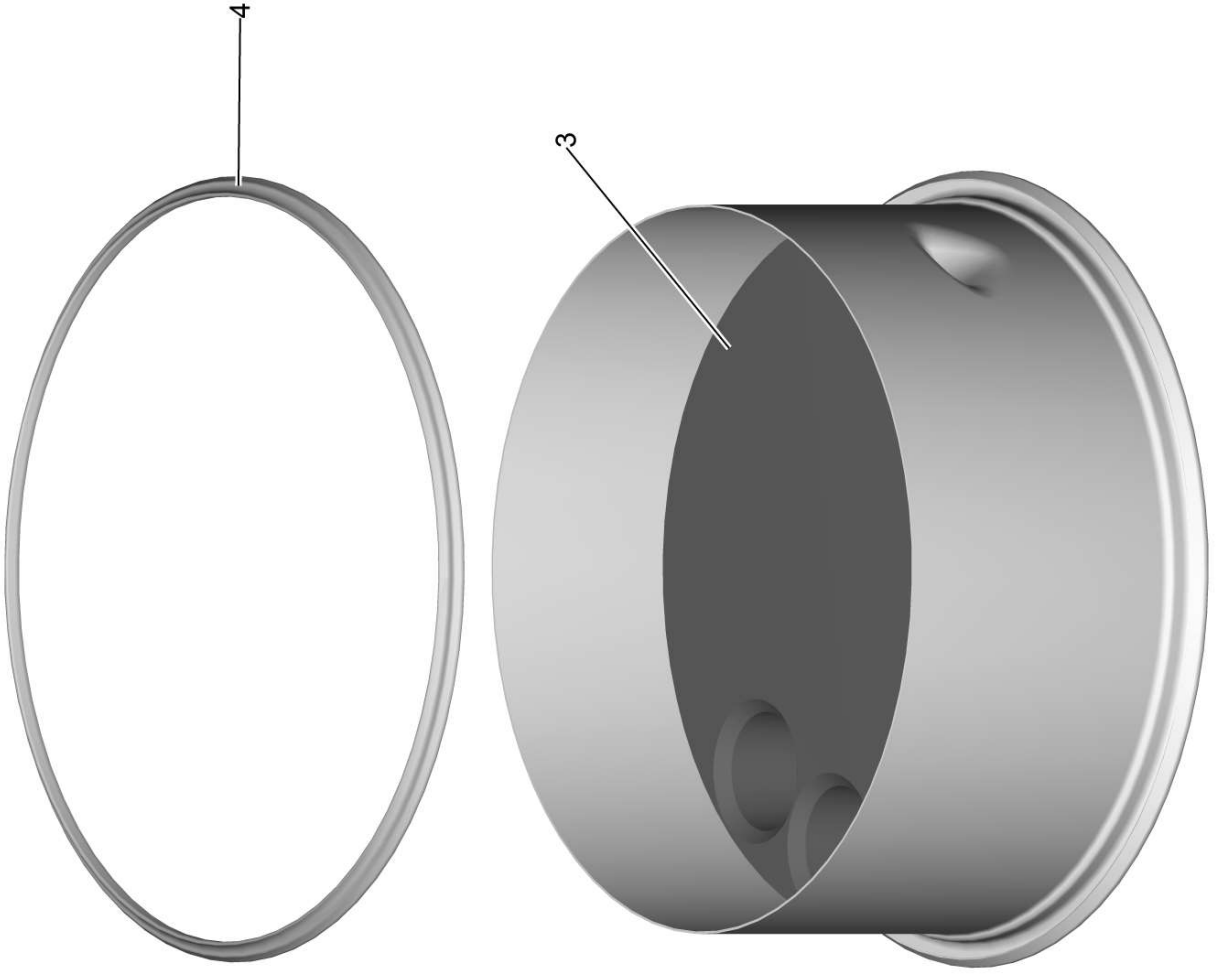
44 Boiler

POS	Article no.	Description	Quantity	Unit
1	4.652-152.0	Vessel mantel complete	1	PC
2	4.655-044.0	Bottom pressure boiler	1	PC
	Item text1: only for 4.640-329.0			
3	4.680-127.0	Heating coil	1	PC
	Item text1: replaced by 4.680-127.3			
3	4.680-127.3	Heating coil	1	PC
4	5.031-339.0	Washer	2	PC
6	7.311-112.0	Hexagon nut M22X1,5 -22H-A2E DIN 936	2	PC



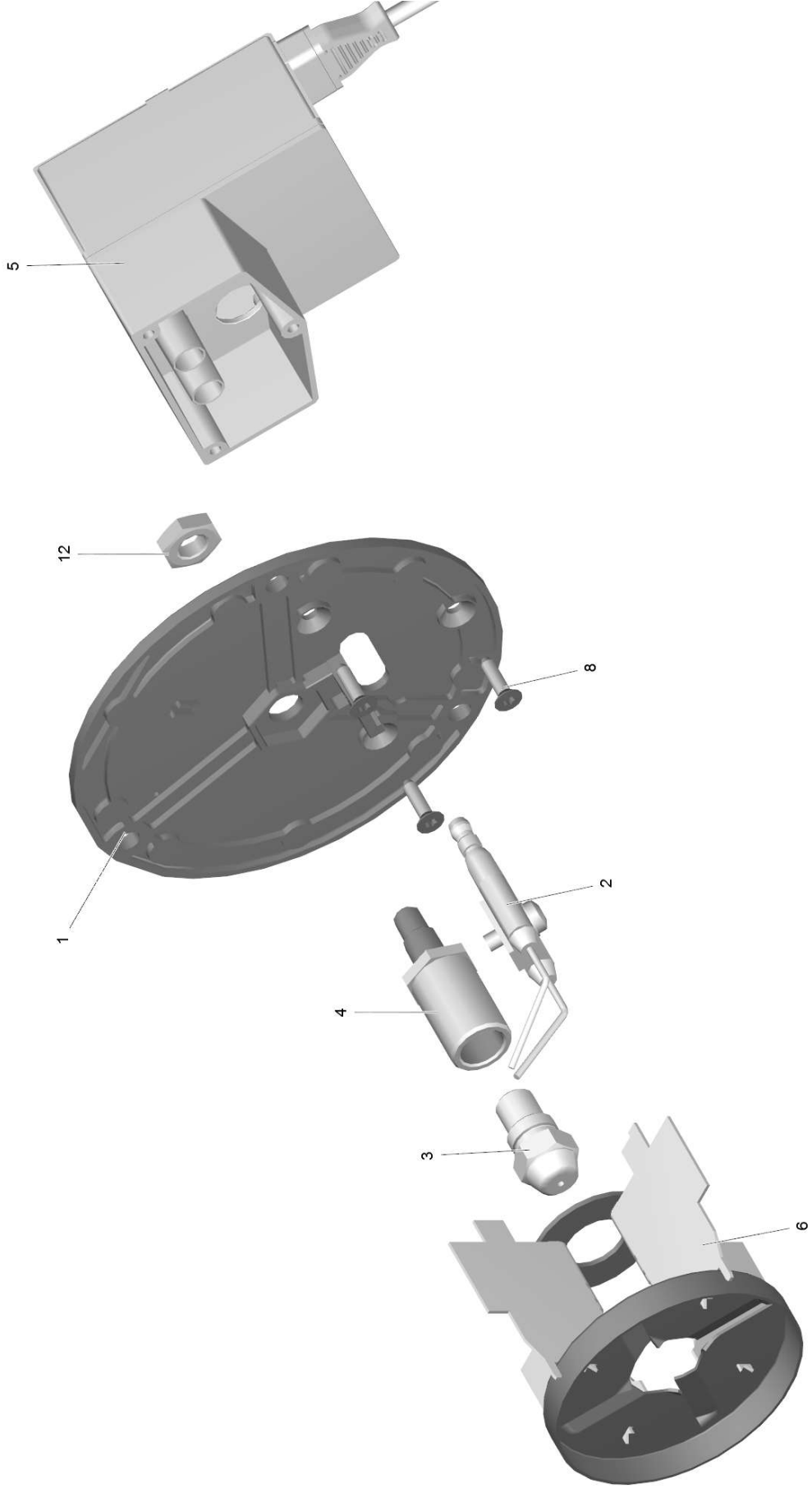
1 Vessel mantel complete (4.652-152.0)

POS	Article no.	Description	Quantity	Unit
6	6.303-258.0	Self-tapping screw	3	PC



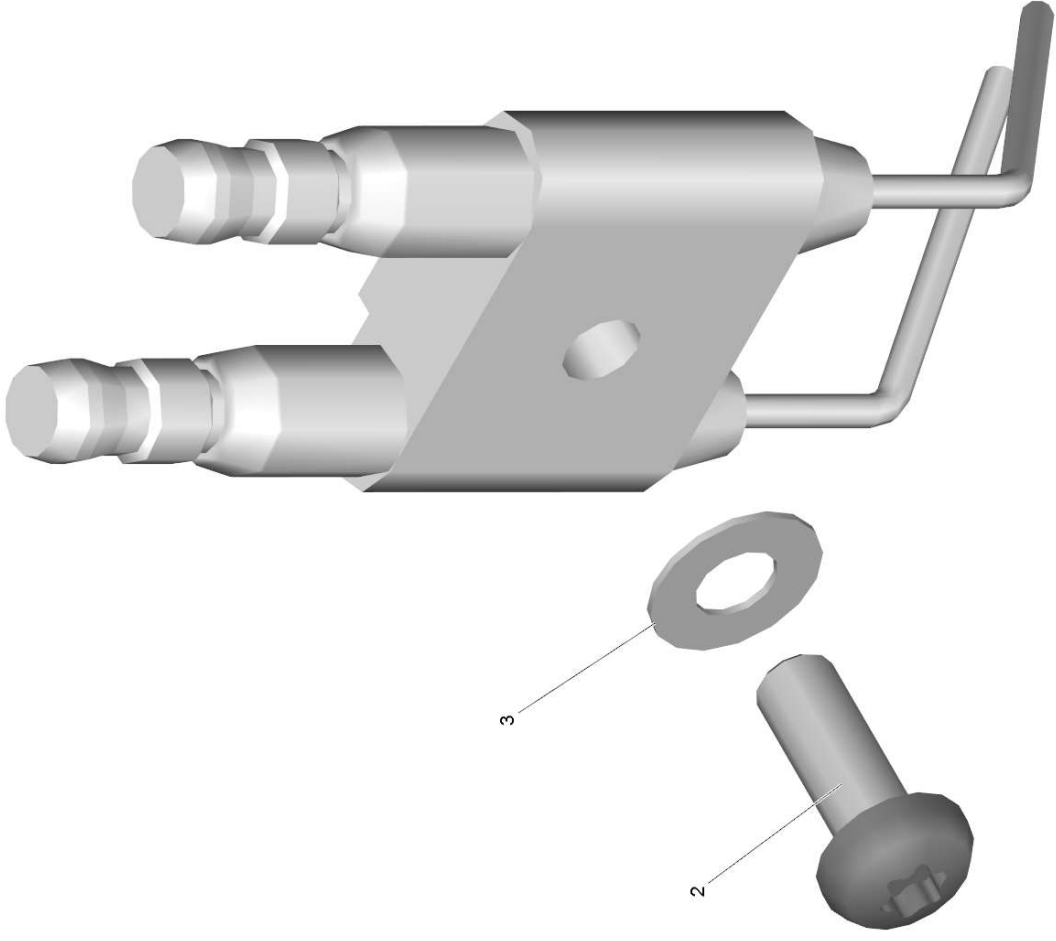
2 Bottom pressure boiler (4.655-044.0)

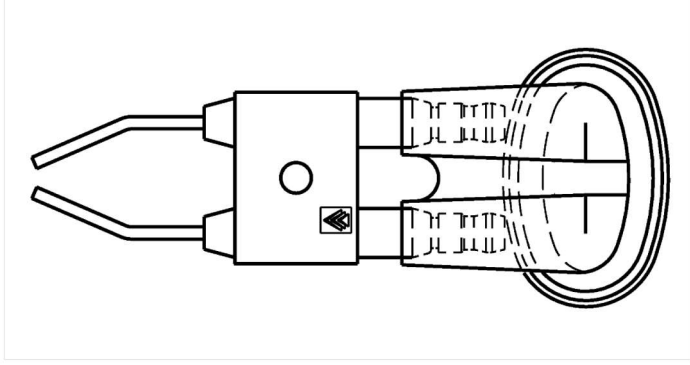
POS	Article no.	Description	Quantity	Unit
4	6.366-009.0	Seal string	1	PC
3	7.777-999.0	Stockpiling discontinued	1	PC



45 Burner complete

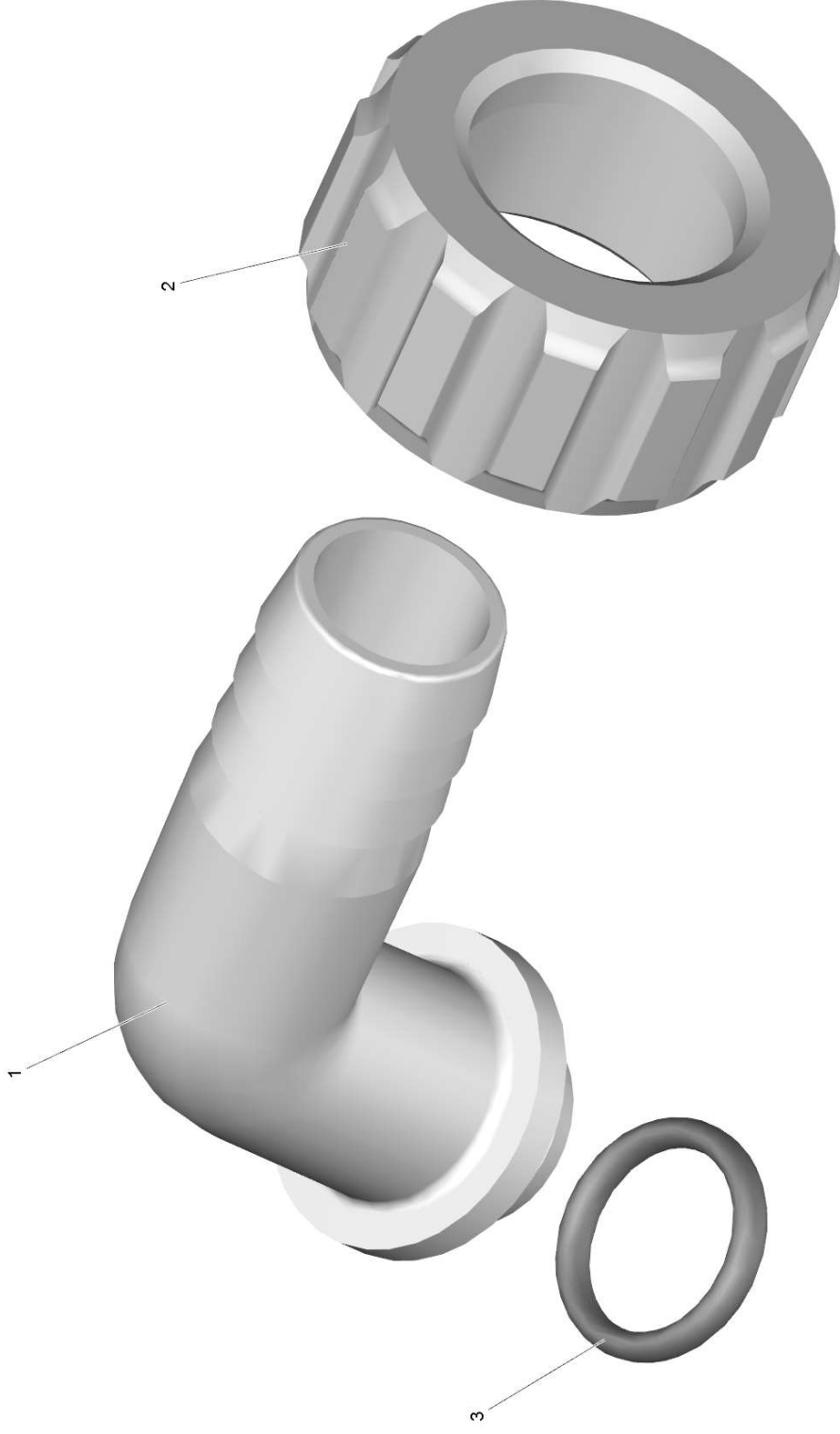
POS	Article no.	Description	Quantity	Unit
2	2.638-974.0	Conversion kit ignition electrode	1	PC
5	2.885-209.0	Conversion kit ignition transformer HDS	1	PC
6	4.663-141.0	Baffle plate complete	1	PC
1	5.662-023.0	Burner cover	1	PC
4	5.667-055.0	Nozzle holder	1	PC
3	6.415-920.0	Burner nozzle	1	PC
8	7.303-125.0	Countersunk screw 4x16 -10.9-R2R (In6Rd)	3	PC
12	7.311-101.0	Hexagon nut M10x1 -04-A2E DIN 936	1	PC





2 Conversion kit ignition electrode (2.638-974.0)

POS	Article no.	Description	Quantity	Unit
2	7.306-326.0	Screw M5x14 -8.8-ZNBHL (In6Rd)	1	PC
3	7.312-304.0	Spring washer B 5-FST-A2E DIN 137	1	PC



53 Set mounting parts

POS	Article no.	Description	Quantity	Unit
2	5.310-062.0	Nut	1	PC
1	5.443-285.0	Hose stem	1	PC
3	6.362-078.0	O-Ring seal 13,3x2,4	1	PC

70 Hose fuel 130mm

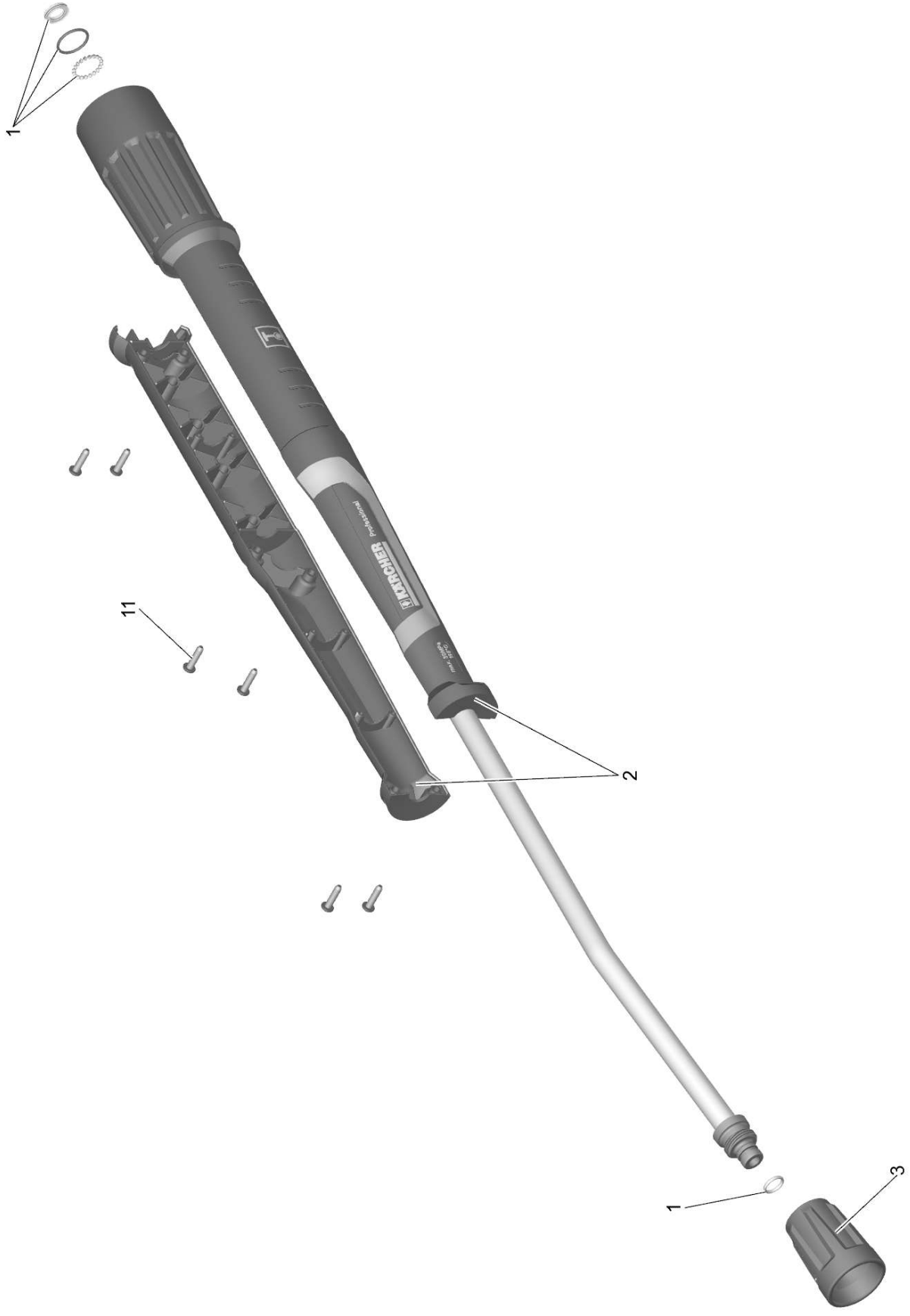
POS	Article no.	Description	Quantity	Unit
1	6.389-534.0	Hose	0,13	m

71 Hose fuel 180mm

POS	Article no.	Description	Quantity	Unit
1	6.389-534.0	Hose	0,18	m

72 Hose fuel 230mm

POS	Article no.	Description	Quantity	Unit
1	6.389-534.0	Hose	0,29	m

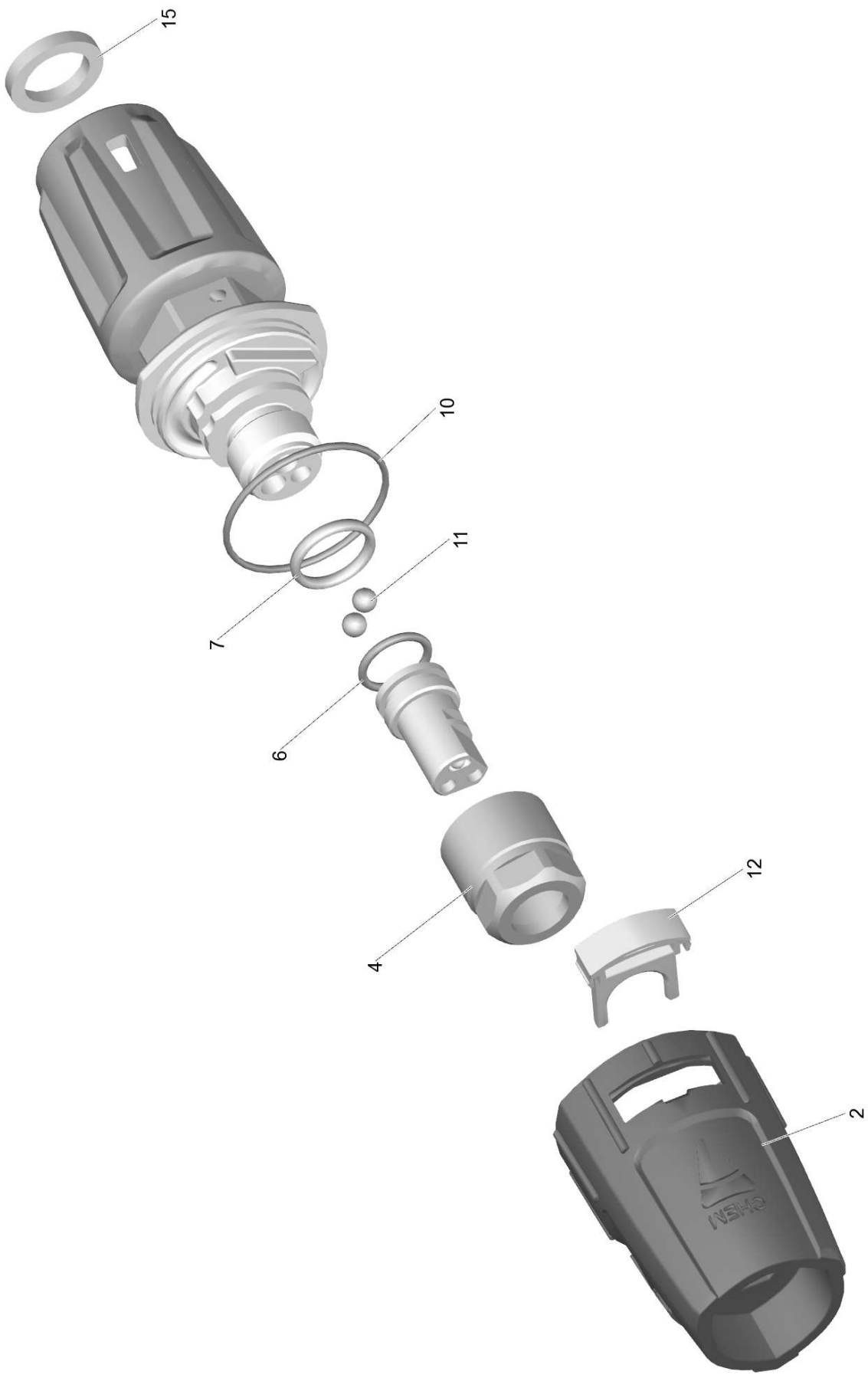


902 Jet pipe TR 840 mm (4.112-006.0)

POS	Article no.	Description	Quantity	Unit
1	4.100-688.0	Spare part set seal TR	1	PC
3	4.112-011.0	Protection part TR only for replacement	1	PC
2	5.321-018.3	Handle bowl jet pipe only for replacement	1	PC
11	7.303-129.0	Screw 4x16-10.9-R2R (K-In6Rd)	6	PC

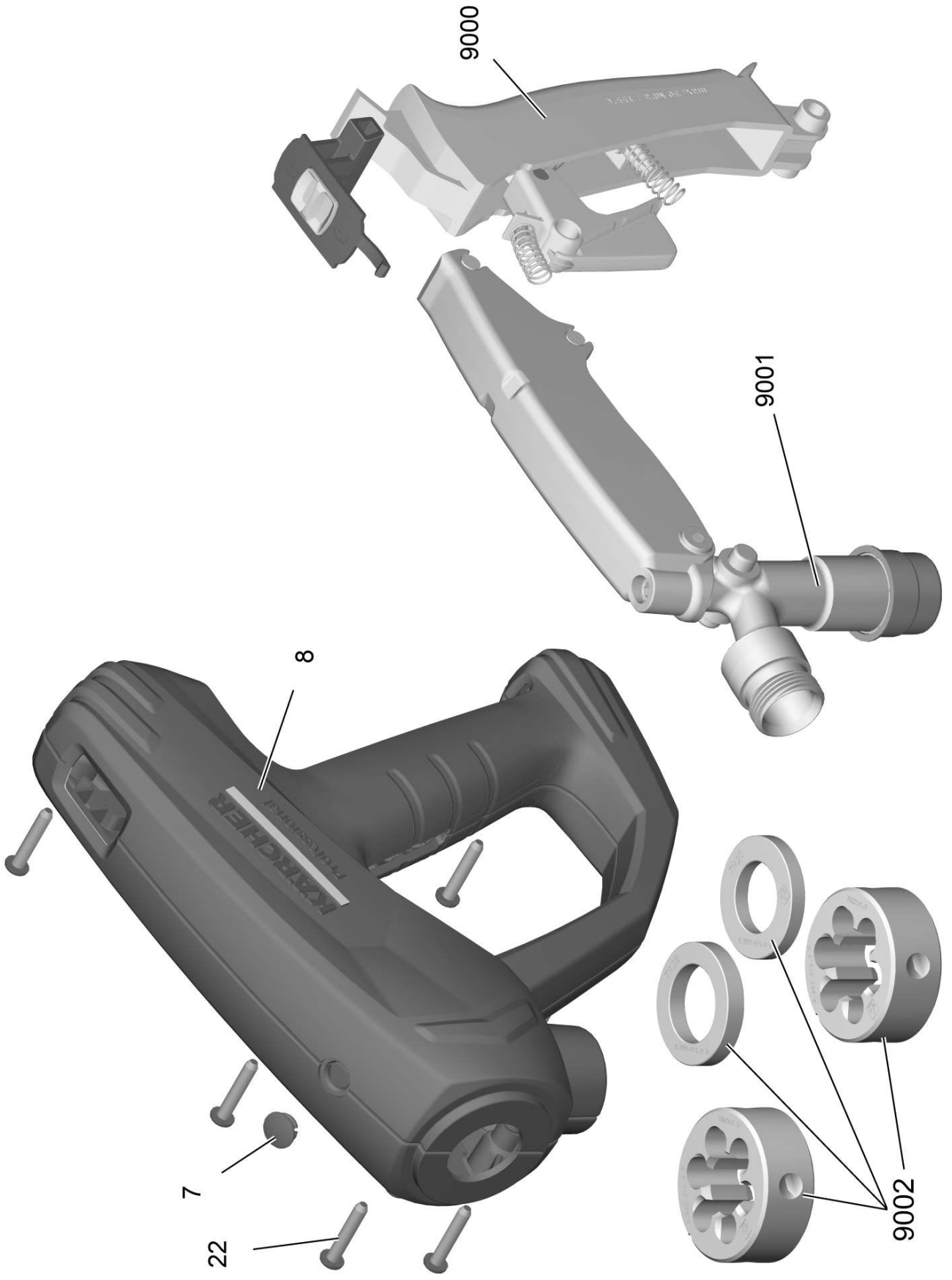
903 Triple jet nozzle TR 034 (4.117-029.0)

POS	Description	Quantity	Unit
1	Triple jet nozzle TR 034	1	PC



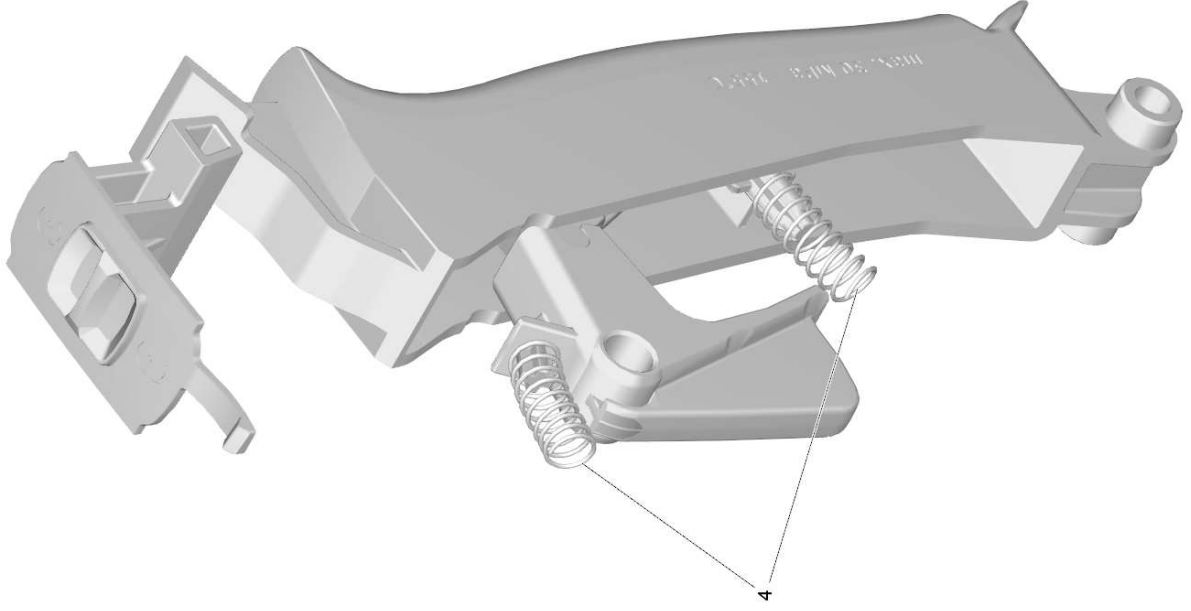
1 Triple jet nozzle TR 034

POS	Article no.	Description	Quantity	Unit
4	5.311-225.0	Nut	1	PC
12	5.321-884.0	Clamp	1	PC
2	5.394-859.0	Protection part	1	PC
10	6.362-409.0	O-Ring seal 32,0 X 1,5	1	PC
7	6.362-460.0	O-Ring seal 14,0 X 2,5-NBR 70	1	PC
6	6.362-480.0	O-Ring seal 12,42x 1,78	1	PC
15	6.363-696.0	Brake ring 14x20x3	1	PC
11	7.401-902.0	Sphere 5 G20 -1.4034 DIN 5401	2	PC



904 EASY!Force Advanced (4.118-005.0)

POS	Article no.	Description	Quantity	Unit	Remark
9000	2.885-483.0	Spare part set lever	1	PC	
9001	4.427-014.0	Manifold TR EH 155 nur fuer Ersatz	1	PC	
7	5.132-001.0	Plug	1	PC	
8	5.321-136.3	Handhold few EH 155 only for replacement	1	PC	
9002	5.820-015.0	Screwing die kit TR	1	PC	orderable from 1st July 2025
22	7.303-096.0	Screw 4x22-ST-10.9-R2R (IN6RD)	7	PC	



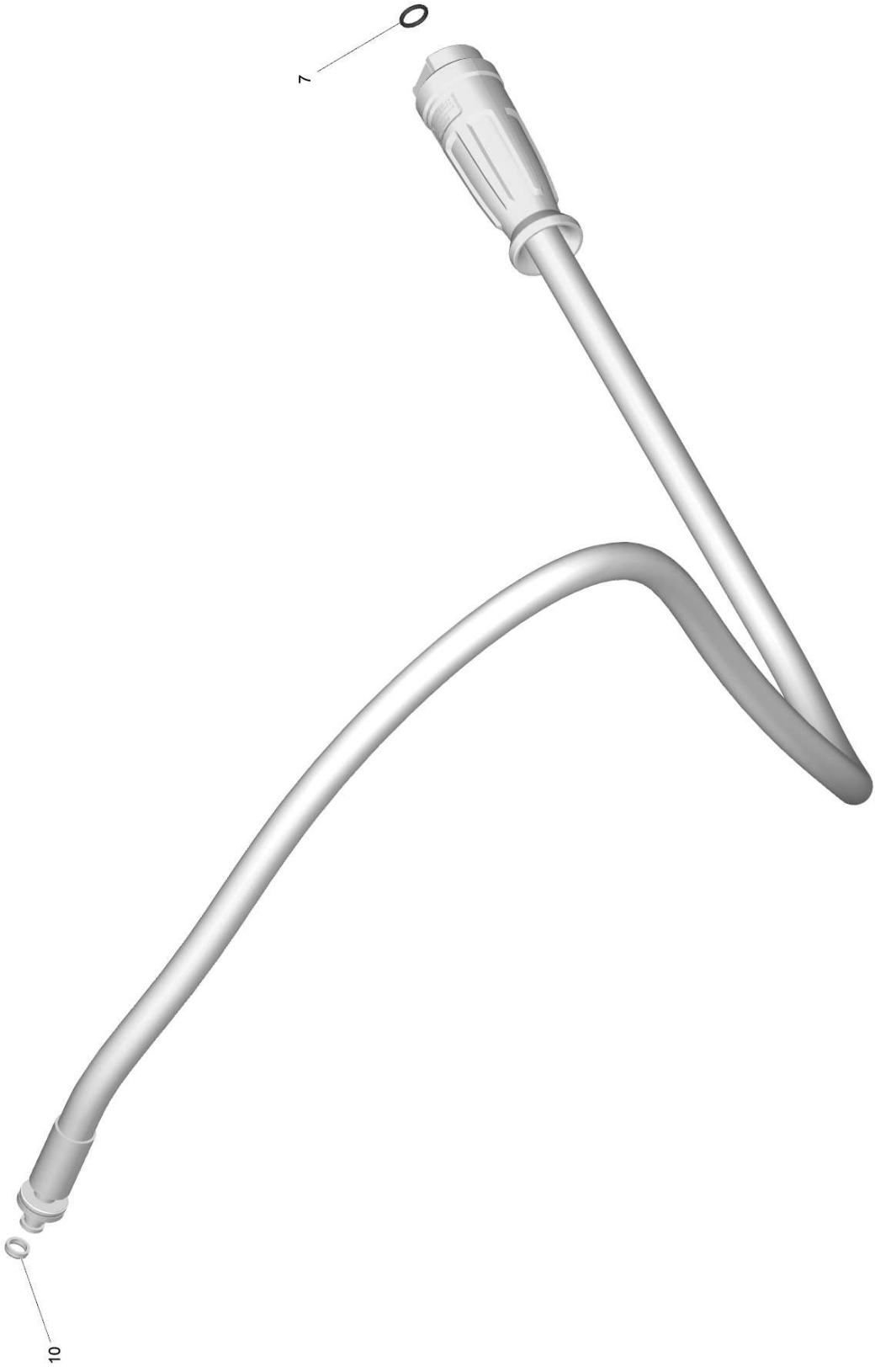
9000 Spare part set lever (2.885-483.0)

POS	Article no.	Description	Quantity	Unit
4	5.332-178.0	Helical spring	2	PC



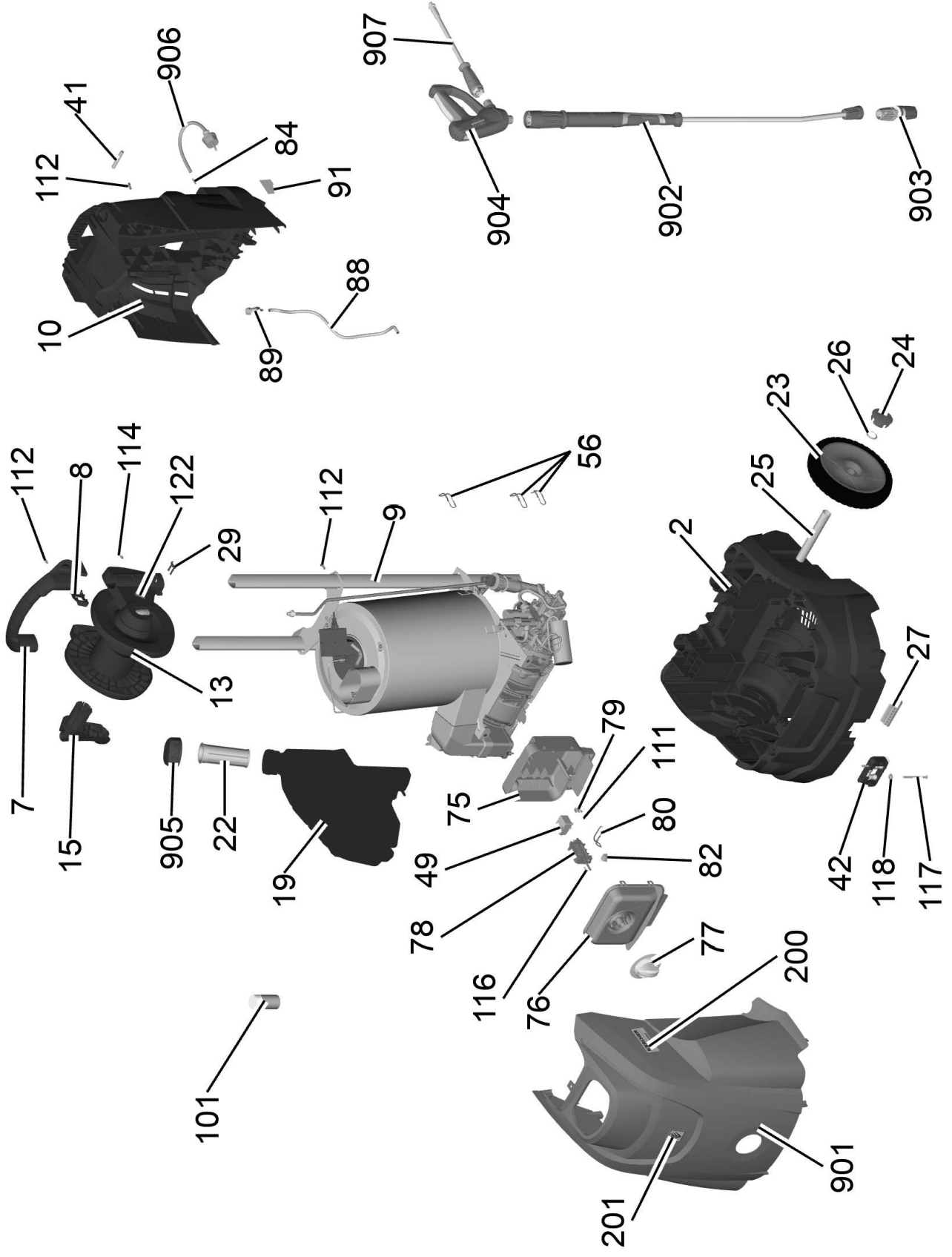
905 Cover tank only for replacement (4.645-315.0)

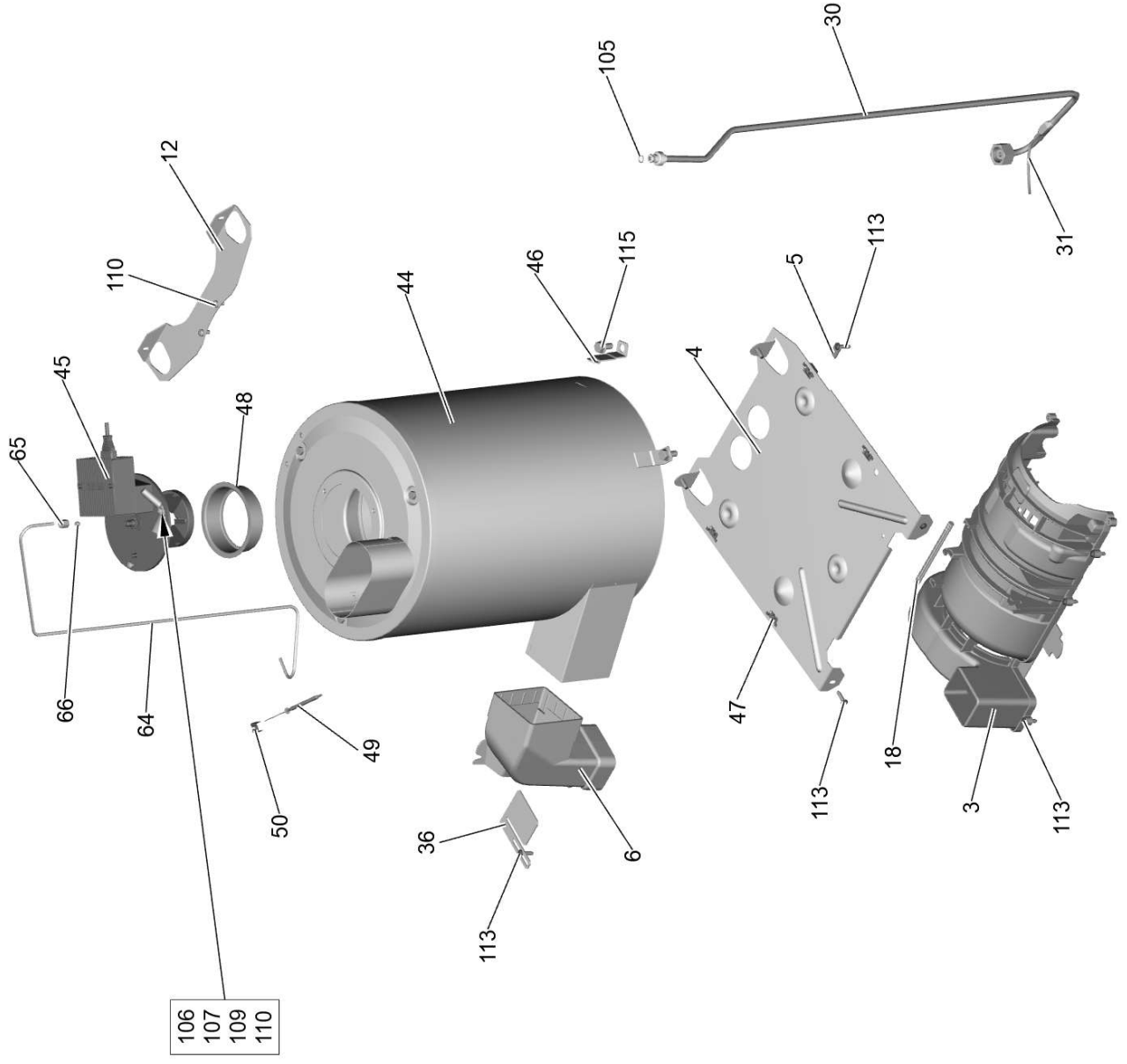
POS	Article no.	Description	Quantity	Unit
2	6.363-565.0	O-Ring seal 60x4	1	PC



907 Hose assembly TR DN6 25MPa 15m (6.110-036.0)

POS	Article no.	Description	Quantity	Unit
7	2.880-154.0	O-Ring kit	1	PC
10	4.363-691.0	O-Ring seal kpl. -nur fuer Ersatz-	1	PC





11 HDS 5/13 UX *EU

POS	Article no.	Description	Quantity	Unit	Foot note text
13		Hose reel complete	1	PC	
33		Pump set HDS U 5/13 *EU	1	PC	
42		Holder roller complete	1	PC	
44		Boiler	1	PC	
45		Burner complete	1	PC	
70		Hose fuel 130mm	1	PC	
71		Hose fuel 180mm	1	PC	
72		Hose fuel 230mm	1	PC	
101		Spray can rust protection	0.006	ZST	
57	2.883-384.0	Reed switch replacement	1	PC	
24	2.889-086.0	Set wheel cap	1	PC	
29	4.037-013.0	Hook	2	PC	
901	4.069-023.0	Cover neutrally nur fuer Ersatz	1	PC	
902	4.112-006.0	Jet pipe TR 840 mm	1	PC	
903	4.117-027.0	Triple jet nozzle TR 032	1	PC	
904	4.118-005.0	EASY!Force Advanced	1	PC	
105	4.363-691.0	O-Ring seal kpl. -nur fuer Ersatz-	1	PC	
30	4.422-955.3	Pipelines complete HDS upright UX	1	PC	
15	4.481-302.0	Crank complete	1	PC	
23	4.515-320.0	Wheel complete	1	PC	SET OF 2 PIECES
78	4.630-003.0	Rotary switch only for replacement	1	PC	
905	4.645-315.0	Cover tank only for replacement	1	PC	
906	4.649-044.0	Cable with plug nur für Ersatz	1	PC	
109	4.821-125.0	Cable 1,5x1400-GG	1	PC	
89	4.862-225.0	Filter chemistry regulation	1	PC	
4	5.010-349.0	Bottom plate HDS upright	1	PC	
12	5.010-350.0	Plate shearing shackle	1	PC	
18	5.027-215.0	Rod	1	PC	
50	5.034-834.0	Holder probe	1	PC	
2	5.037-875.3	Chassis HDS U	1	PC	
58	5.041-076.0	Clamp	1	PC	
46	5.044-420.0	Holder	4	PC	
8	5.044-987.0	HOLDER JET PIPE	1	PC	

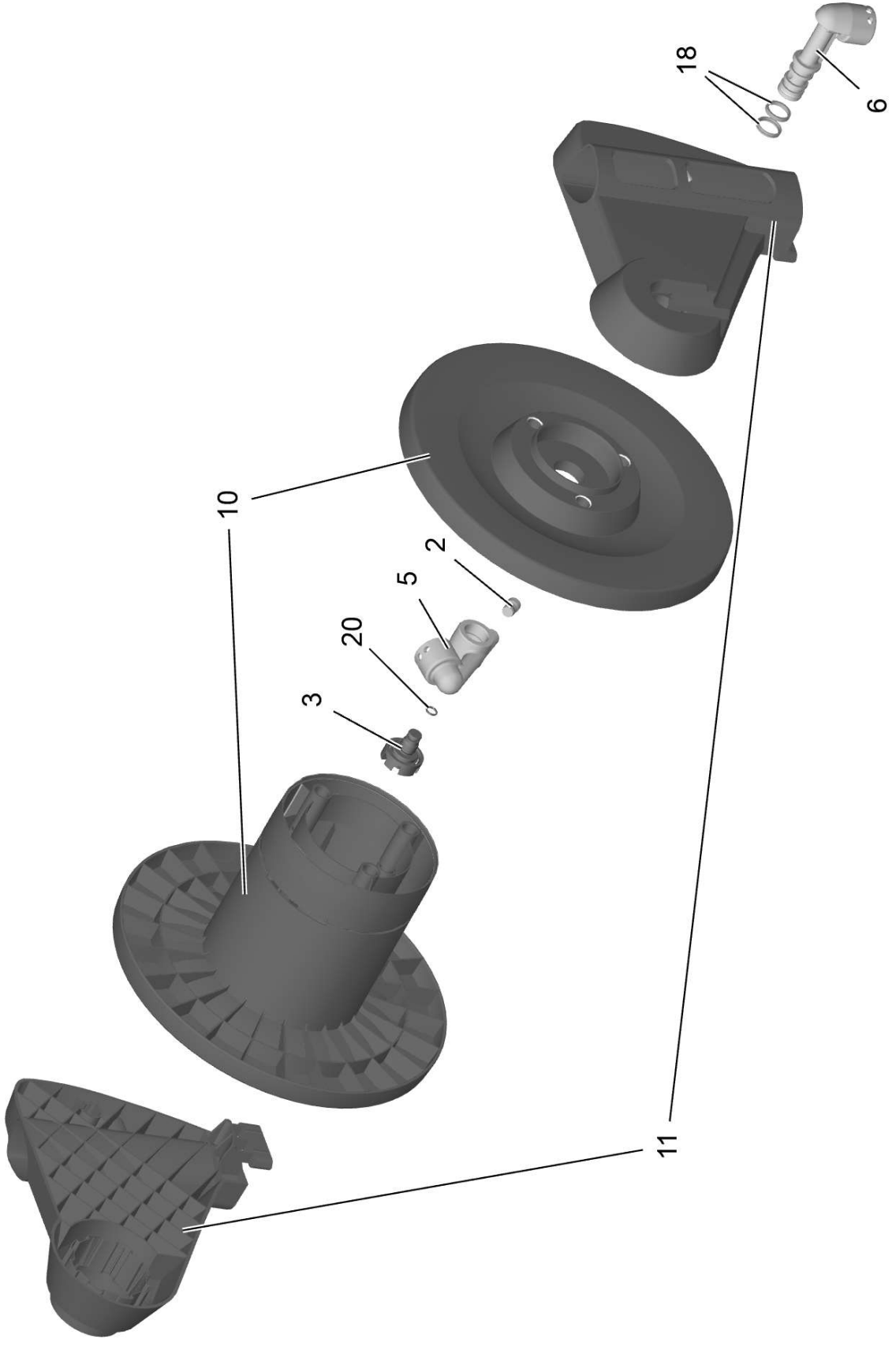
11 HDS 5/13 UX *EU

POS	Article no.	Description	Quantity	Unit	Foot note text
27	5.057-062.0	Support	1	PC	
76	5.064-353.0	Cover electric box HDS upright	1	PC	
75	5.064-394.0	Bottom electric box	1	PC	
10	5.065-732.3	Rear panel for replacement HDS upright	1	PC	
19	5.071-215.0	Tank fuel HDS upright	1	PC	
25	5.105-649.0	Wheel axle HDS upright	1	PC	
9	5.107-292.0	Bar shearing shackle HDS Upright UX	2	PC	
7	5.321-751.0	Handhold	1	PC	
77	5.322-111.0	Handle	1	PC	
93	5.383-342.0	Label fuel oil einfuellen	1	PC	
200	5.385-512.3	Label logo glued L Professional	2	PC	
201	5.385-517.0	Label signet glued L Professional	1	PC	
91	5.392-966.0	Warning sign	1	PC	
6	5.409-613.0	Adapter for blower	1	PC	
63	5.423-413.0	Conduit fuel	1	PC	
64	5.423-414.0	Conduit fuel	1	PC	
61	5.471-097.0	Coupler fuel pump	1	PC	
5	5.503-018.0	Plate quick lock	1	PC	
41	5.515-351.0	Roller hose guide	1	PC	
37	5.600-062.0	Blower wheel	1	PC	
36	5.606-010.0	Air flap HDS upright	1	PC	
48	5.664-233.0	Flame tube	1	PC	
3	5.692-135.3	Air circulation HDS U	1	PC	
22	5.731-039.0	Filter	1	PC	
35	5.767-029.0	Rubber buffer	4	PC	
907	6.110-036.0	Hose assembly TR DN6 25MPa 15m	1	PC	
59	6.303-122.0	M4 .2X13 DIN 7981 TORX T15 PAN HD HI/LO	1	PC	
	Item text1: successor of 9.760-120.0				
110	6.303-192.0	Screw M5x12 TX TAPTITE2000	5	PC	
39	6.304-053.0	Screw M6X20-ZNBHL (Precote 30-3)	1	PC	
47	6.310-081.0	Cage nut M 8	4	PC	
26	6.343-162.0	Lock washer D25	2	PC	
88	6.388-216.0	Hose DN 5 (PVC)	1,05	m	

11 HDS 5/13 UX *EU

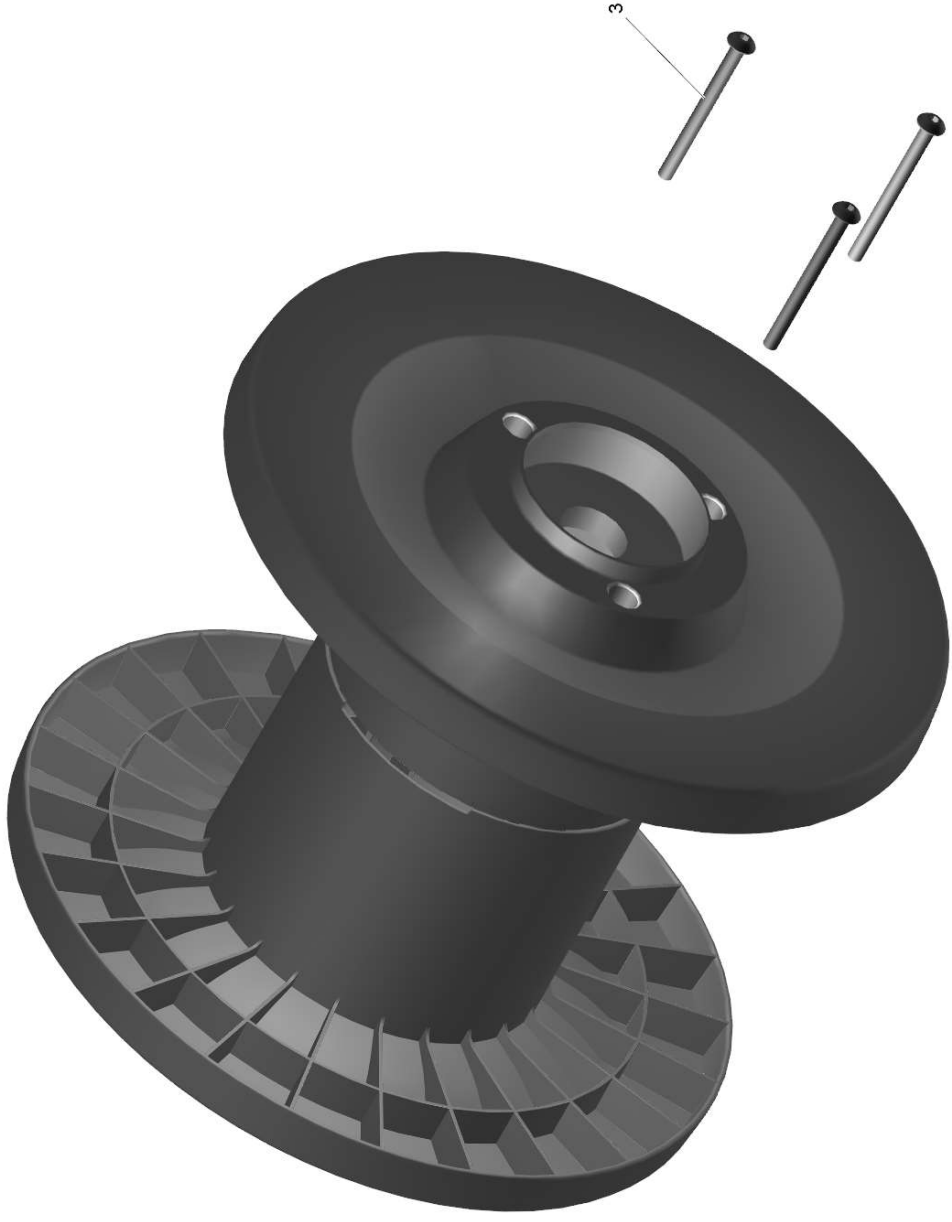
POS	Article no.	Description	Quantity	Unit	Foot note text
65	6.389-262.0	Union nut A 4-LL	2	PC	
66	6.389-263.0	Cutting ring d.4	2	PC	
73	6.389-924.0	Hose clip	6	PC	
67	6.392-208.0	Screw connector	1	PC	
62	6.414-413.0	Fuel filter	1	PC	
53	6.465-031.0	Connection cpl. 3/4	1	PC	
60	6.472-992.0	Fuel pump only for replacement	1	PC	
909	6.473-559.0	Coil fuel pump	1	PC	
106	6.641-269.0	Tab	1	PC	
79	6.641-270.0	Plug	1	PC	
56	6.641-463.0	Cable tape	3	PC	
122	6.643-943.0	Warning sign hot	1	PC	
82	6.646-748.0	Clamp for cable 0,08-2,5mm ²	1	PC	
80	6.647-081.0	Cable tape	1	PC	
84	6.647-681.0	Cable clip	1	PC	
31	6.686-469.0	Cable temperature limiter	1	PC	
49	6.686-502.3	Thermostat fixed adjusted	1	PC	
112	7.303-047.0	Screw M6x16 -St-R3R (In6Rd)	8	PC	
114	7.303-048.0	Screw M6x20 -St-R3R (In6Rd)	2	PC	
111	7.303-106.0	Screw 4x12-10.9-R2R (In6Rd)	1	PC	
113	7.303-108.0	Screw 5x20-10.9-R2R (In6Rd)	13	PC	
117	7.303-171.0	Screw 5x80-10.9-R2R (K-In6Rd)	2	PC	
115	7.304-051.0	Hexagonal head screw M8x16 -8.8-P2R EN 1665	4	PC	
116	7.305-019.0	Countersunk screw M4x16 -8.8-P2R (In6Rd)	2	PC	
107	7.312-172.0	Toothed lock washer A5,3-FSt-A3E DIN 6797	1	PC	
40	7.312-276.0	Washer 6-200HV-A2E ISO 7093-1	1	PC	
118	7.312-278.0	Washer 5-200HV-A2E ISO7093-1	2	PC	
38	7.318-005.0	Parallel key A5x5x28-C45+C DIN 6885-1	1	PC	
59	9.760-120.0	Screw d.4,2x13 (9.086-192)	1	PC	
	Item text1: replaced by 6.303-122.0				

13 Hose reel complete



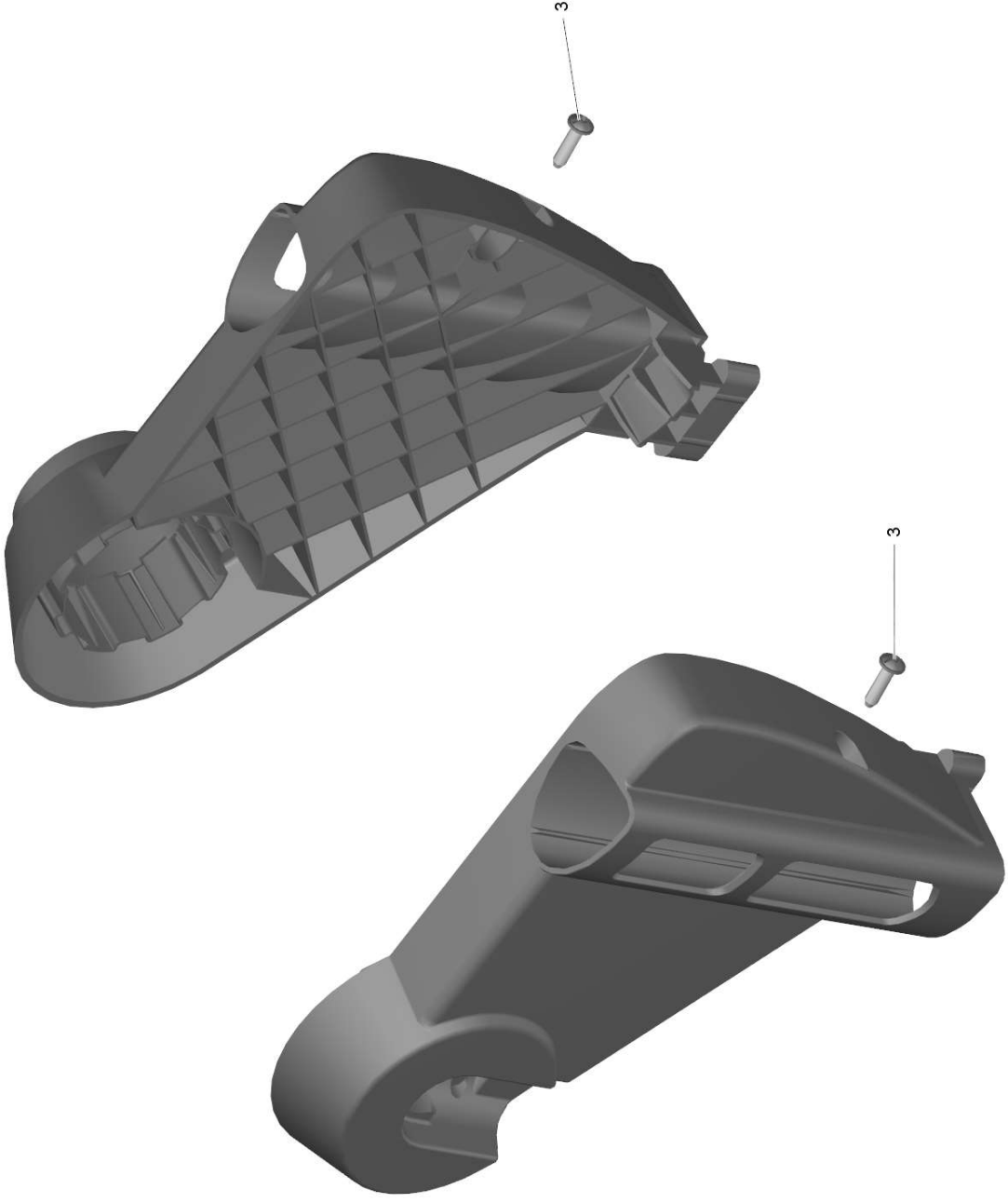
13 Hose reel complete

POS	Article no.	Description	Quantity	Unit
11	2.884-857.0	Spare part set	1	PC
10	2.884-858.0	Spare part set	1	PC
18	4.363-693.0	O-Ring seal kpl. -nur fuer Ersatz-	2	PC
3	4.411-012.0	Screw plug complete M10x1	1	PC
2	5.411-161.0	CLOSING SCREW M10X1	1	PC
5	5.427-326.0	Manifold	1	PC
6	5.427-328.3	Manifold for replacement	1	PC
20	6.362-703.0	O-Ring seal 6,0x1,5-NBR 70	2	PC



10 Spare part set (2.884-858.0)

POS	Article no.	Description	Quantity	Unit
3	6.303-329,0	Screw 5x60 - St. verz. bl.	3	PC

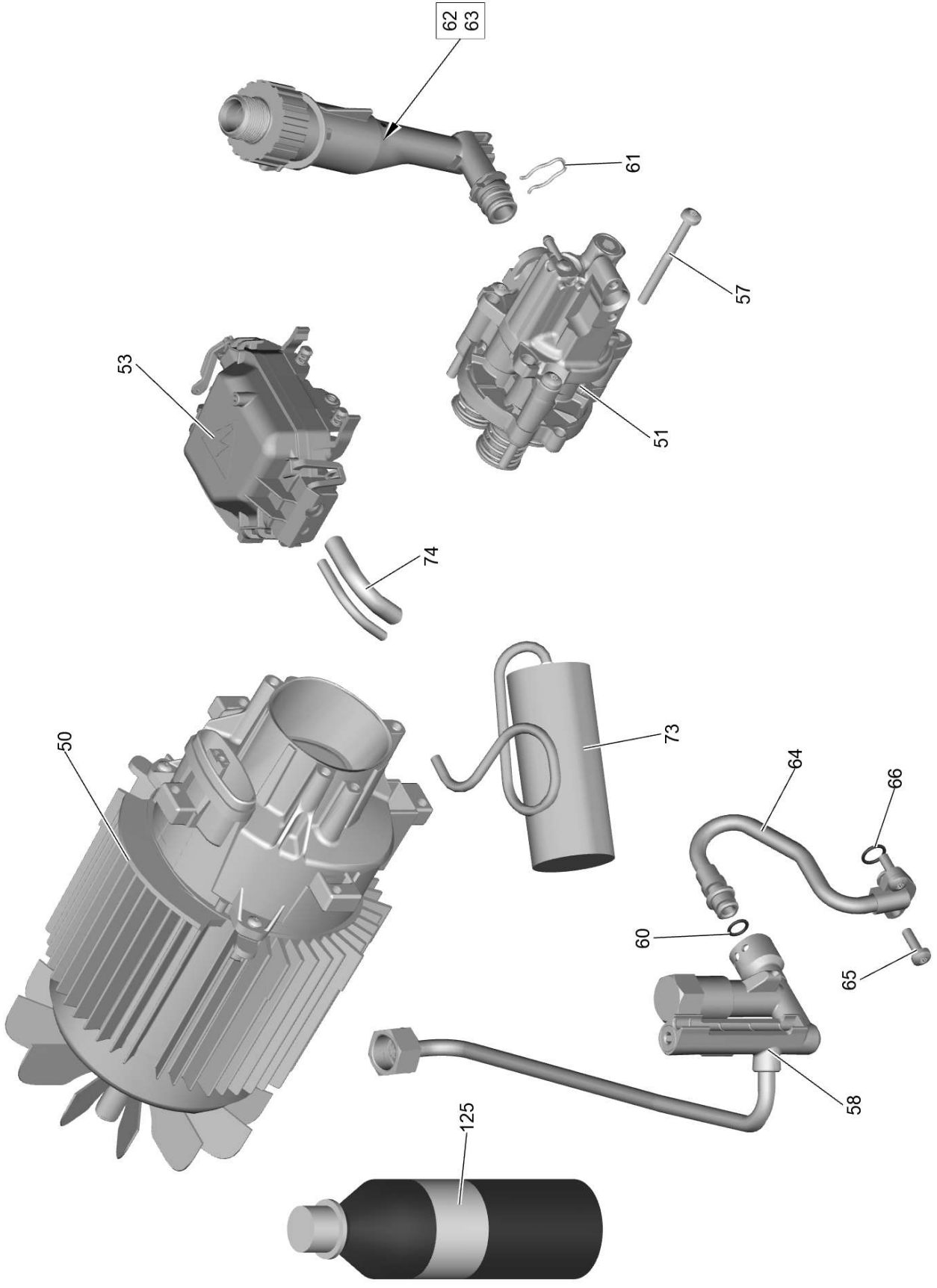


11 Spare part set (2.884-857.0)

POS	Article no.	Description	Quantity	Unit
3	7.303-048.0	Screw M6x20 -St-R3R (In6Rd)	2	PC

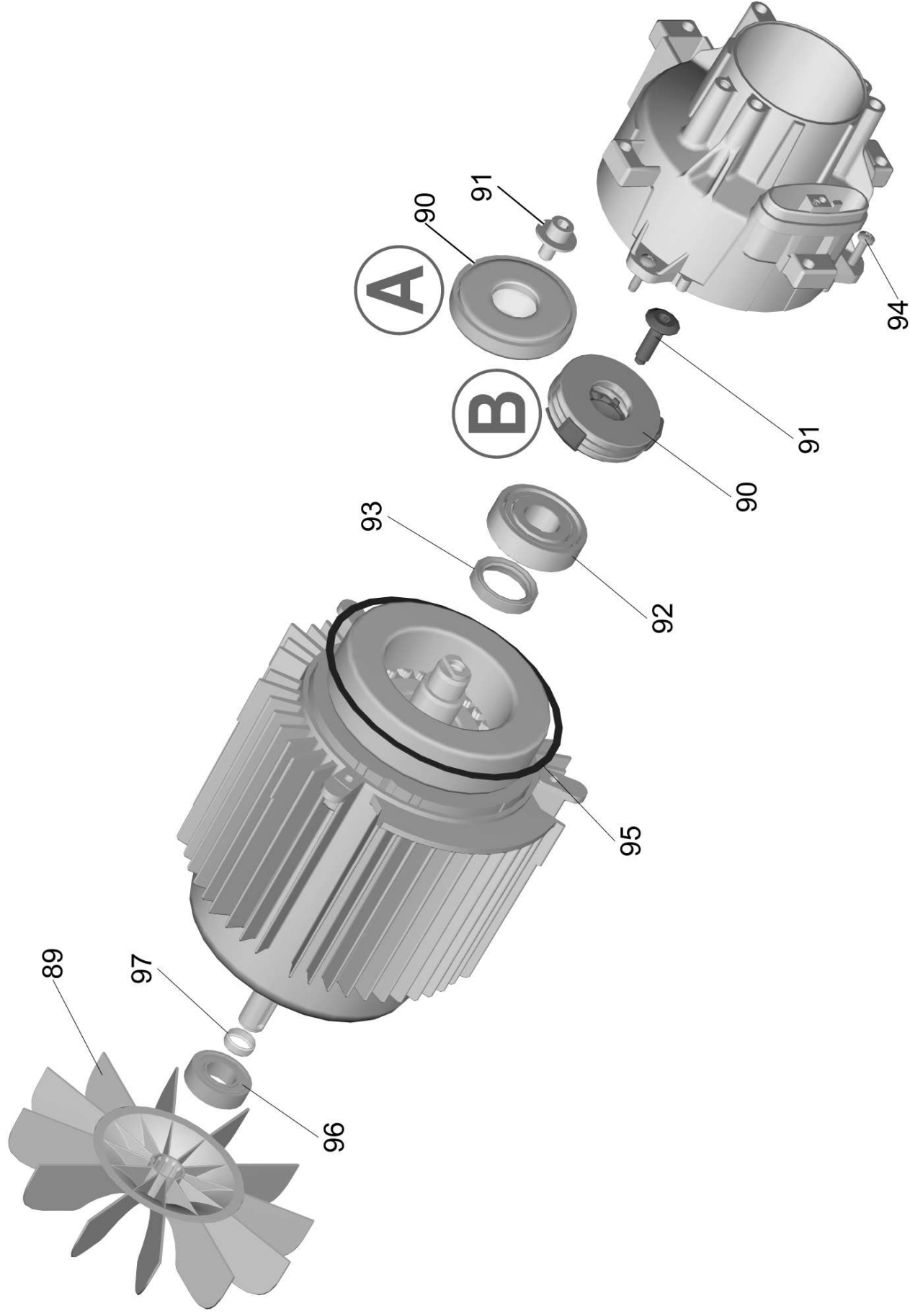
29 Hook (4.037-013.0)

POS	Article no.	Description	Quantity	Unit
1	5.037-109.0	HOOK	1	PC



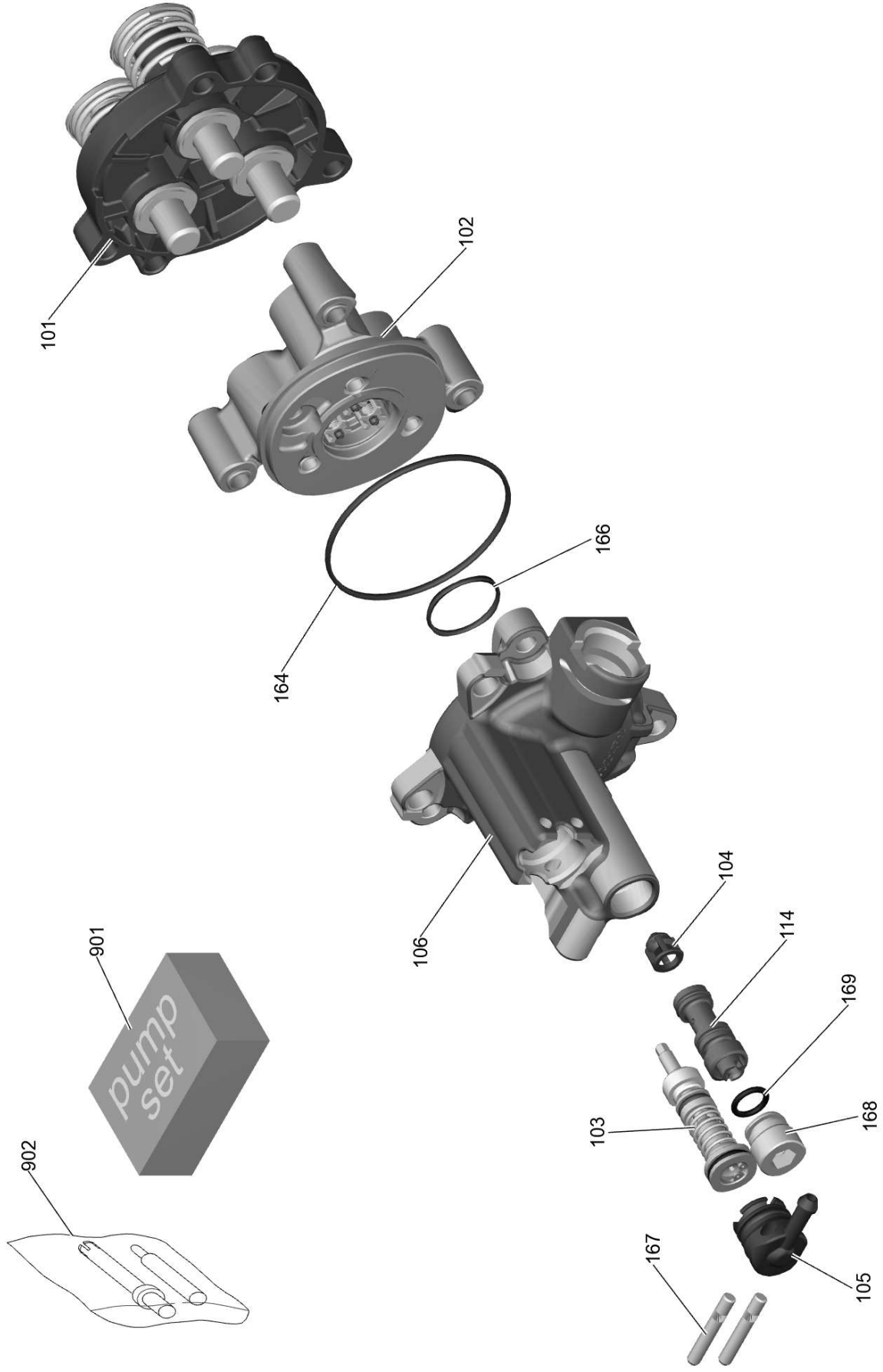
33 Pump set HDS U 5/13 *EU

POS	Article no.	Description	Quantity	Unit
51		Pump head complete HDS U 5/15/13/11 *EU	1	PC
53		Electric box complete HDS U	1	PC
58		Safety system HDS U	1	PC
62		Water intake complete HDS U	1	PC
999	2.901-048.0	Tool	1	PC
60	4.101-244.0	O-Ring kit 10x 2 mm	1	PC
64	4.422-175.3	Pipelines high-pressure outlet HDS U	1	PC
50	4.553-335.3	Transmission HDS U 5/15/13/11 *EU	1	PC
61	5.048-915.0	Clamp	1	PC
125	6.288-050.0	Engine oil 1L	1	PC
66	6.362-151.0	O-Ring d. 10 x 2 NBR 70	1	PC
63	6.363-610.0	O-Ring seal 13 x 3 -NBR	1	PC
74	6.651-731.0	Cable motor HDS U 4x1,5 mm ²	1	PC
130	7.303-031.0	Screw M4x10 -St-P2R (In6Rd)	1	PC
65	7.306-092.0	Screw M6x20 -St-8-R3R (In6Rd)	2	PC
57	7.306-268.0	Screw M6x70 -8.8-R3R (In6Rd)	3	PC
73	9.002-614.0	Capacitor replacement 6.661-288.0	1	PC



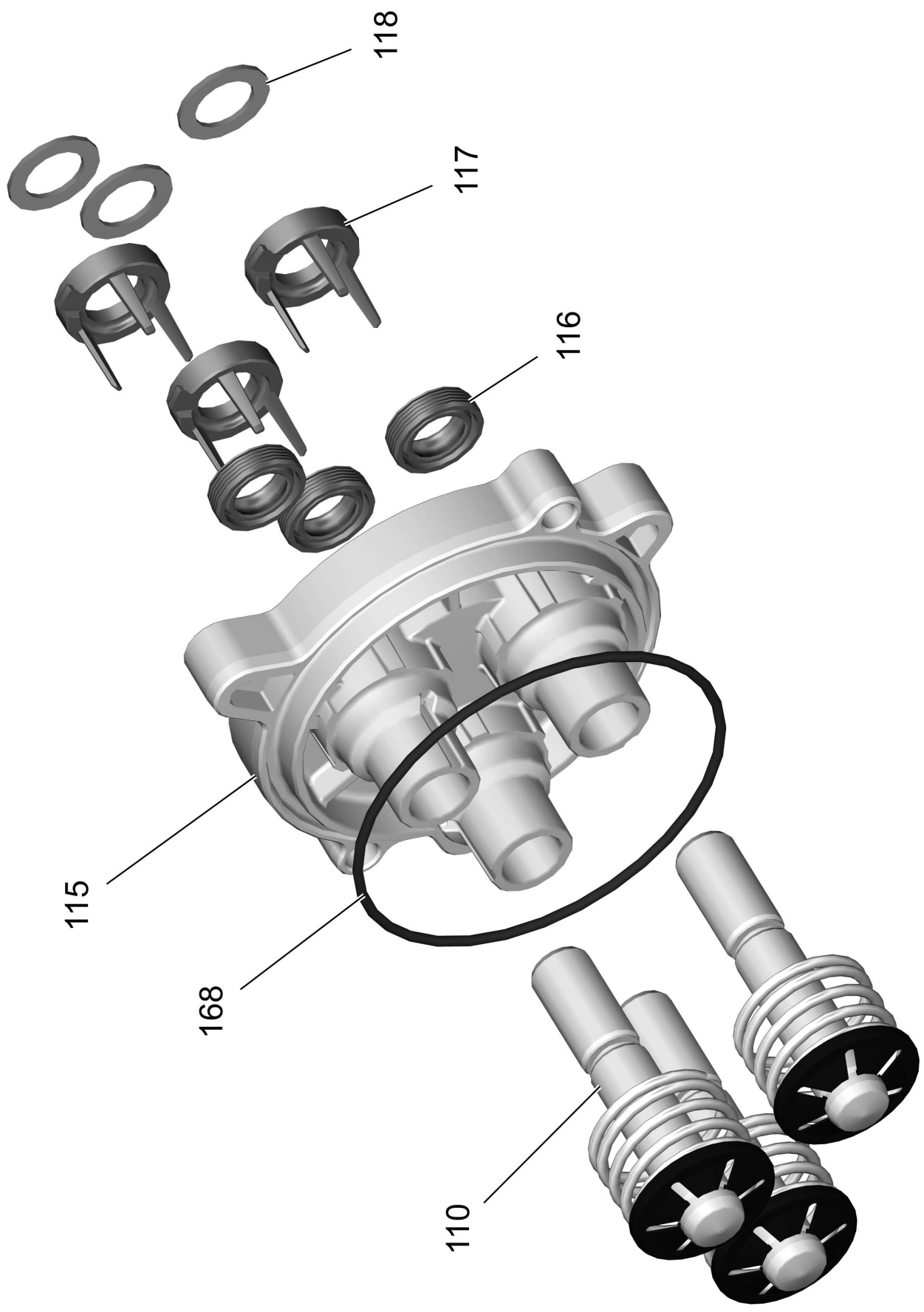
50 Transmission HDS U 5/15/13/11 *EU (4.553-335.3)

POS	Article no.	Description	Quantity	Unit	Foot note text
90	4.120-029.3	Wobble plate complete 11°43' G7/2-H D17 10	1	PC	VERSION B
95	5.363-743.0	Joint ring Ømiddle=132mm	1	PC	
89	5.600-059.0	Blower wheel	1	PC	
125	6.288-050.0	Engine oil 1L	1	PC	
94	6.303-320.0	Screw M 5x 20-St-R2R	3	PC	
91	6.304-077.0	Screw wobble plate M8x34	1	PC	VERSION A
97	6.343-228.0	Tolerance ring	1	PC	
90	6.401-289.3	Wobble plate	1	PC	VERSION A
	Item text1: replaced by 4.120-029.3				
96	6.401-331.0	Ball bearing	1	PC	
92	6.401-427.3	Angular contact ball bearing	1	PC	
91	7.306-105.0	Screw M6x30 -8.8-R3R (In6Rd)	1	PC	VERSION B
93	7.367-024.0	Radial shaft seal ring A26x37x7 -FKM DIN	1	PC	



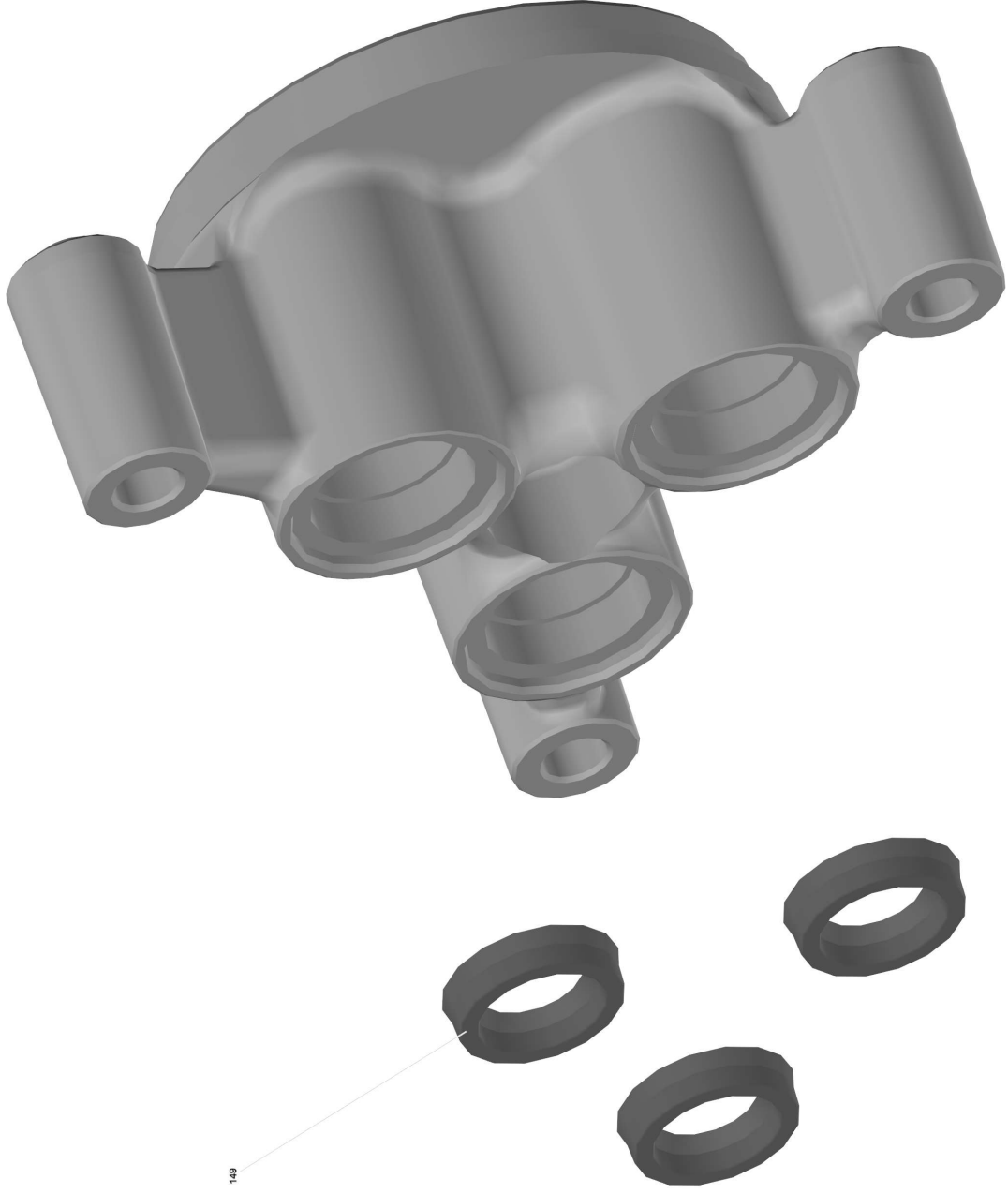
51 Pump head complete HDS U 5/15/13/11 *EU

POS	Article no.	Description	Quantity	Unit
101		Piston guidance complete	1	PC
901	2.885-377.0	Pump set HDC	1	PC
103	2.885-408.0	Control piston complete replacement	1	PC
902	2.901-049.0	Set from valve retainer and drive-in man	1	PC
114	4.100-794.0	Nozzle insert cpl. for replacement	1	PC
102	4.550-942.3	Cylinder head complete brass	1	PC
105	4.580-702.0	Plug complete	1	PC
104	4.584-022.0	Valve pin complete	1	PC
106	5.062-825.3	Housing HDS	1	PC
167	5.314-150.0	Pin	2	PC
168	5.411-168.0	Valve screw M16x1	1	PC
169	6.362-528.0	O-Ring seal 9,5 X 2,0	1	PC
166	6.362-562.0	O-Ring seal 21,95X 1,78-NBR 90	1	PC
164	6.363-616.0	O-Ring seal 60,0X2,0 -NBR70	1	PC



101 Piston guidance complete

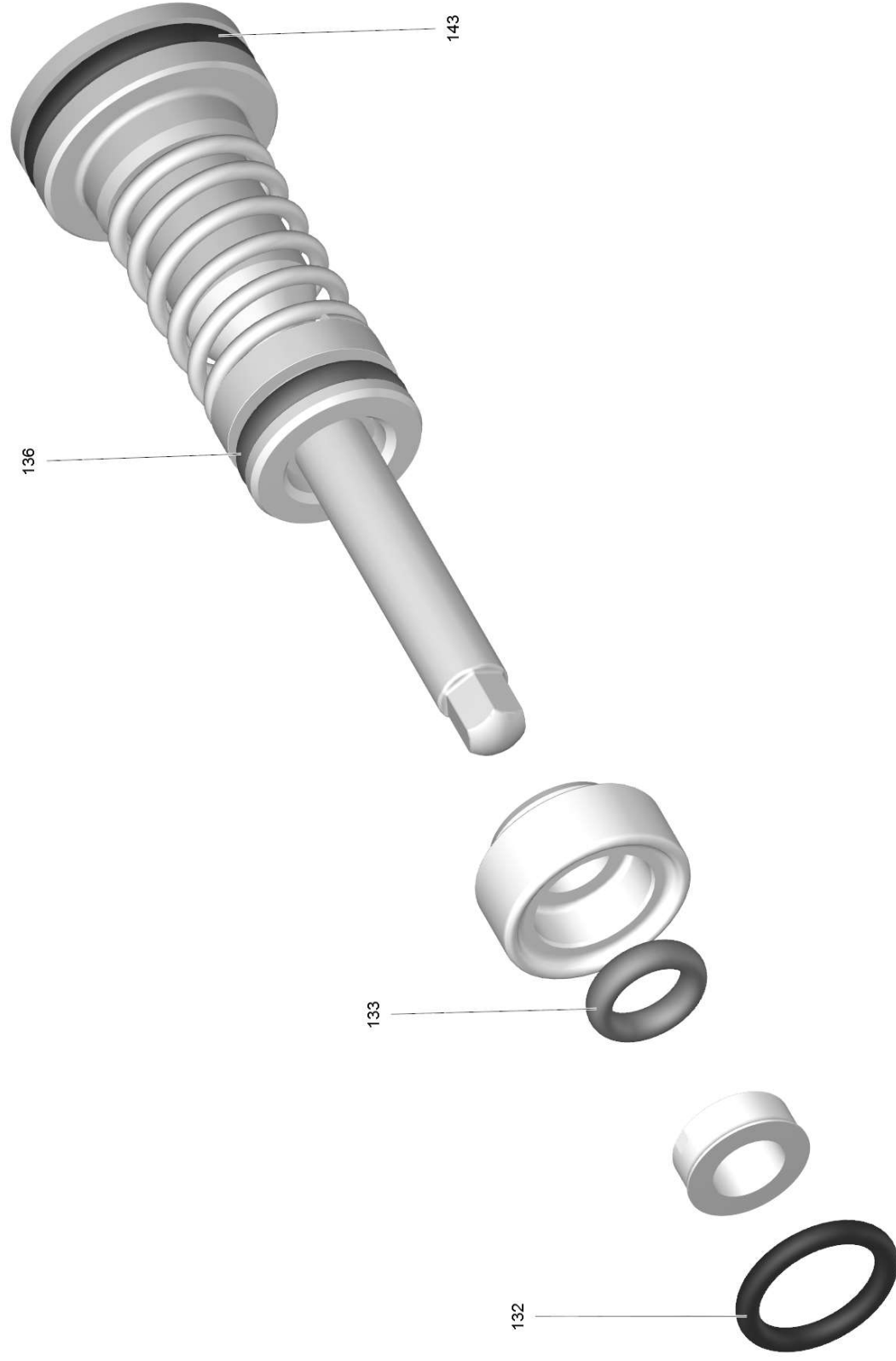
POS	Article no.	Description	Quantity	Unit
115	2.060-000.3	Piston guidance for replacement	1	PC
110	4.553-001.3	Piston complete for replacement	3	PC
118	5.116-380.0	Washer piston guidance	3	PC
117	5.116-381.0	Supporting disk	3	PC
168	6.363-449.0	O-Ring seal 72x2 -NBR70	1	PC
116	6.363-633.0	Grooved ring 12x18x6/5/1	3	PC



149

102 Cylinder head complete brass (4.550-942.3)

POS	Article no.	Description	Quantity	Unit
149	4.100-836.0	Spare parts set seals	3	PC



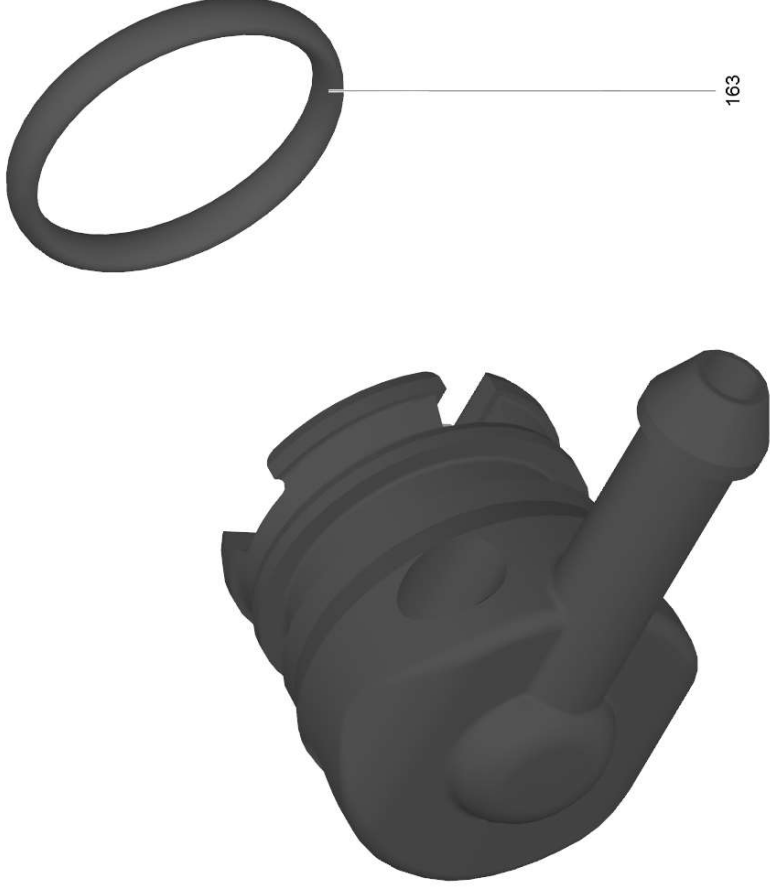
103 Control piston complete replacement (2.885-408.0)

POS	Article no.	Description	Quantity	Unit
132	6.362-101.0	O-Ring seal 8 X 2	1	PC
143	6.362-381.0	O-Ring seal 13x2 - NBR 70	1	PC
133	6.363-606.0	O-Ring seal 4,7 x 1,9 -NBR70	1	PC
136	6.363-614.0	O-Ring seal 9 x 2 -NBR90	1	PC



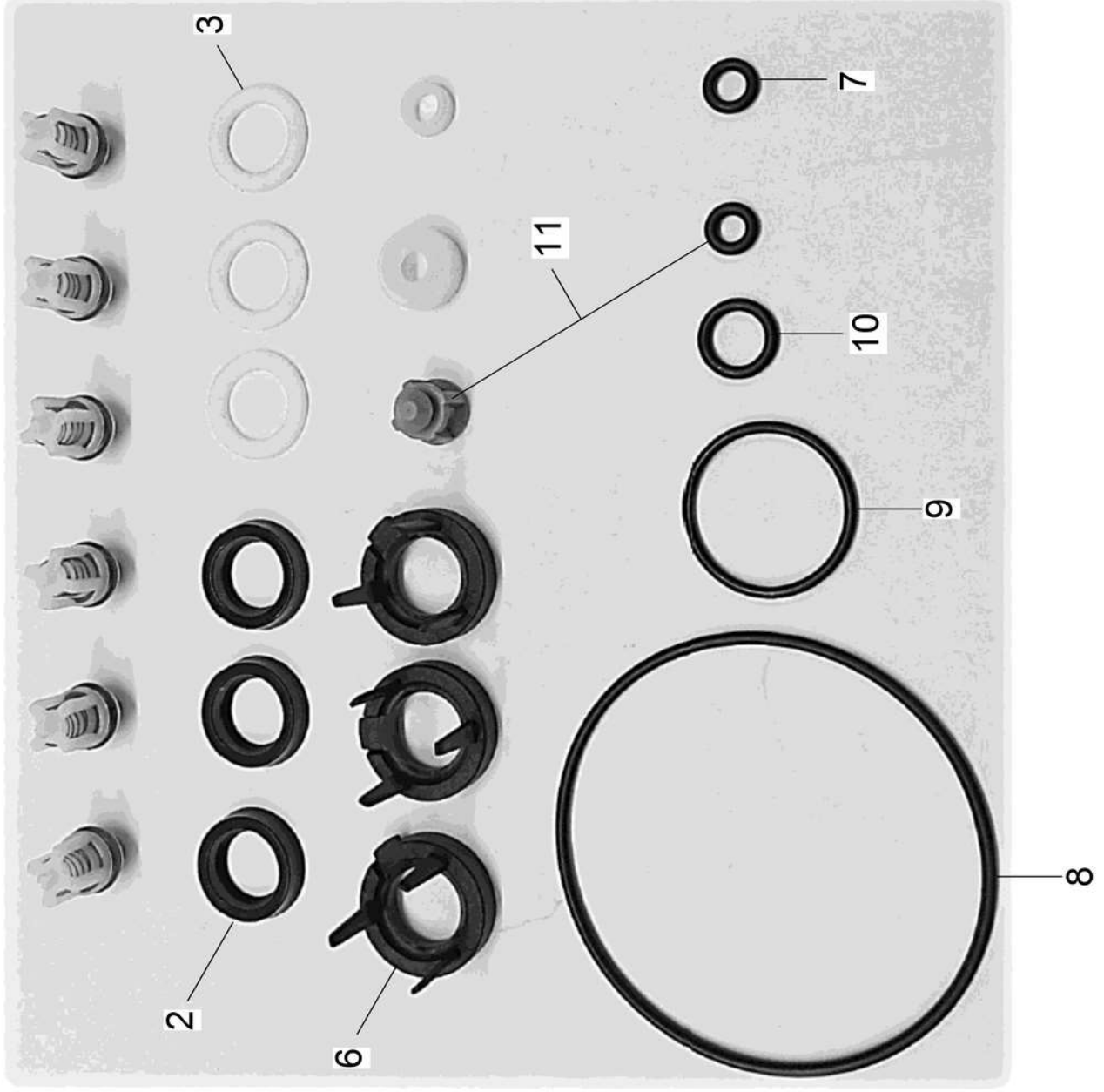
104 Valve pin complete (4.584-022.0)

POS	Article no.	Description	Quantity	Unit
208	6.363-613.0	O-Ring seal 4 x 2 -NBR90	1	PC



105 Plug complete (4.580-702.0)

POS	Article no.	Description	Quantity	Unit
163	6.362-030.0	O-Ring seal 15x2 90 Shore IRHD	1	PC



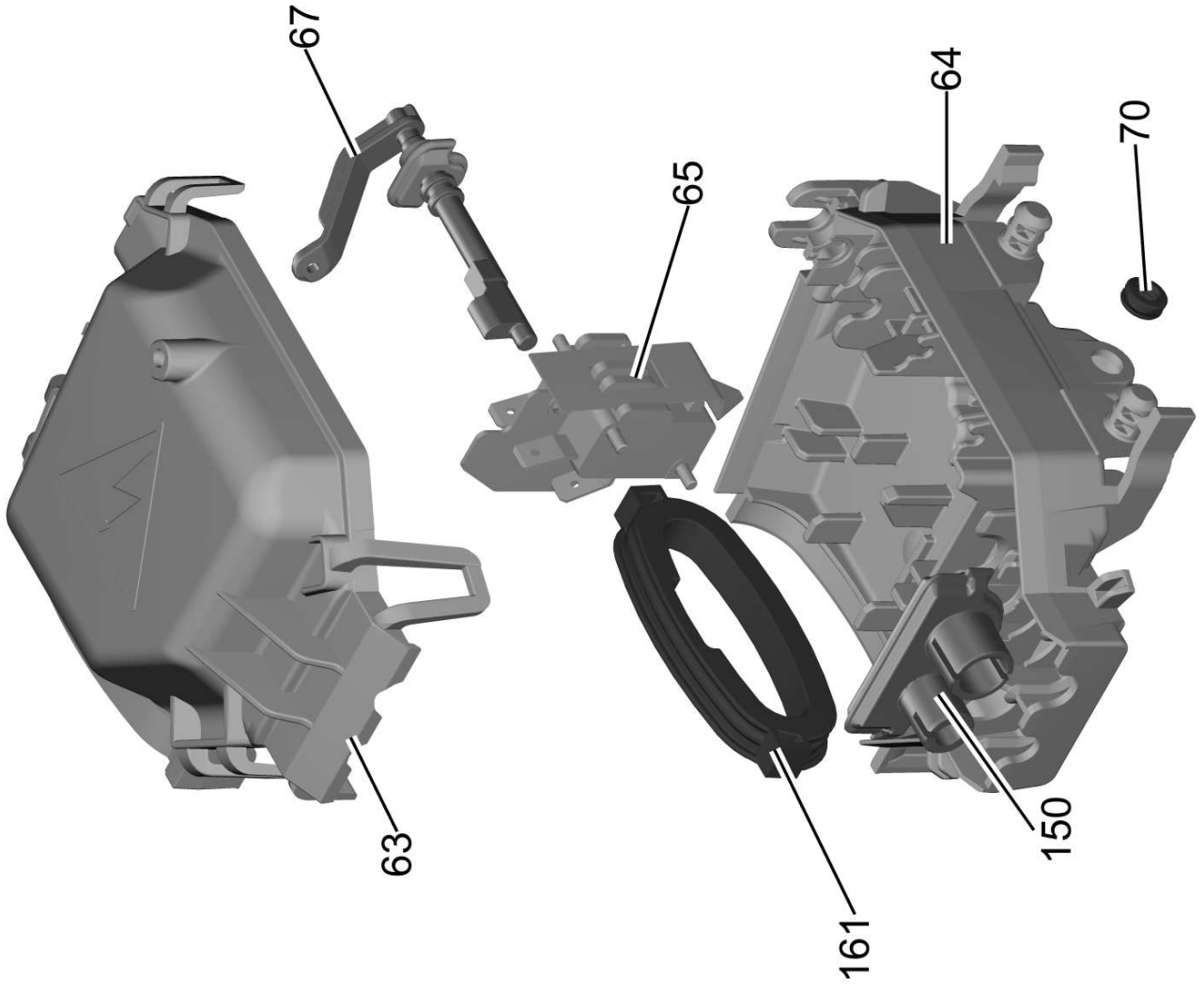
901 Pump set HDC (2.885-377.0)

POS	Article no.	Description	Quantity	Unit
11	4.584-022.0	Valve pin complete	1	PC
3	5.116-380.0	Washer piston guidance	3	PC
6	5.116-381.0	Supporting disk	3	PC
10	6.362-101.0	O-Ring seal 8 X 2	1	PC
9	6.362-562.0	O-Ring seal 21,95X 1,78-NBR 90	1	PC
2	6.363-435.0	Grooved ring 12x17x4,25/2,5	3	PC
7	6.363-606.0	O-Ring seal 4,7 x 1,9 -NBR70	1	PC
8	6.363-616.0	O-Ring seal 60,0x2,0 -NBR70	1	PC



11 Valve pin complete (4.584-022.0)

POS	Article no.	Description	Quantity	Unit
208	6.363-613.0	O-Ring seal 4 x 2 -NBR90	1	PC



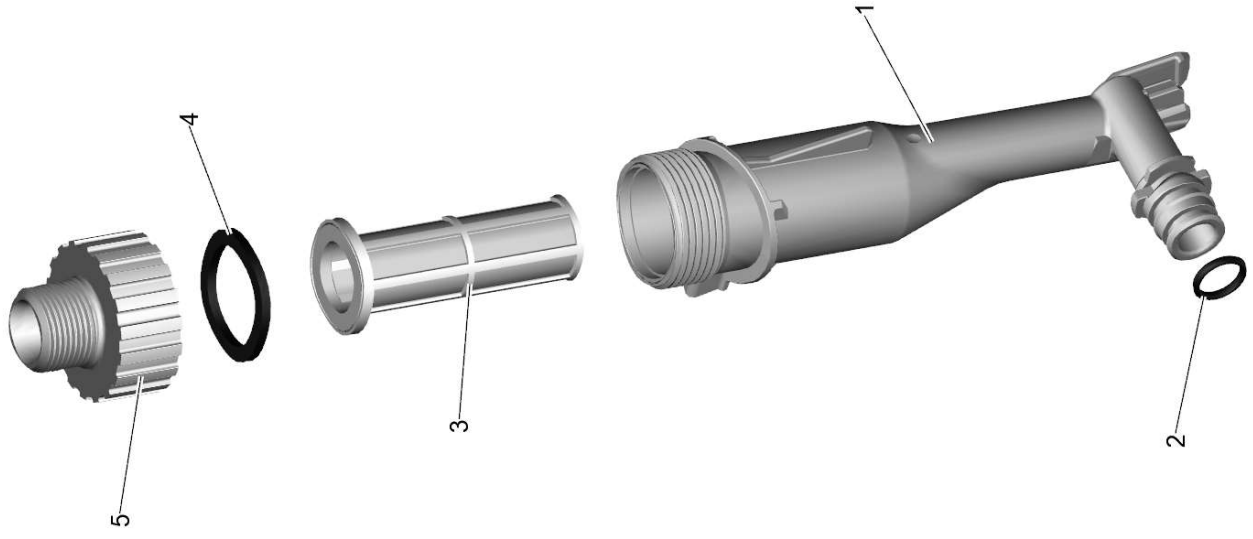
53 Electric box complete HDS U

POS	Article no.	Description	Quantity	Unit
67	4.100-886.0	Selector shaft cpl.	1	PC
63	5.064-431.0	Cover electric box HDC	1	PC
70	5.363-749.0	Seal control piston	1	PC
161	5.363-761.0	Seal label	1	PC
150	5.363-807.0	Seal cable HDC	1	PC
64	5.811-140.3	Electric box HDC	1	PC
65	6.961-079.0	Micro switch	1	PC
	Item text1: replaced by 6.961-079.3			
65	6.961-079.3	Micro switch	1	PC
	Item text1: successor of 6.961-079.0			



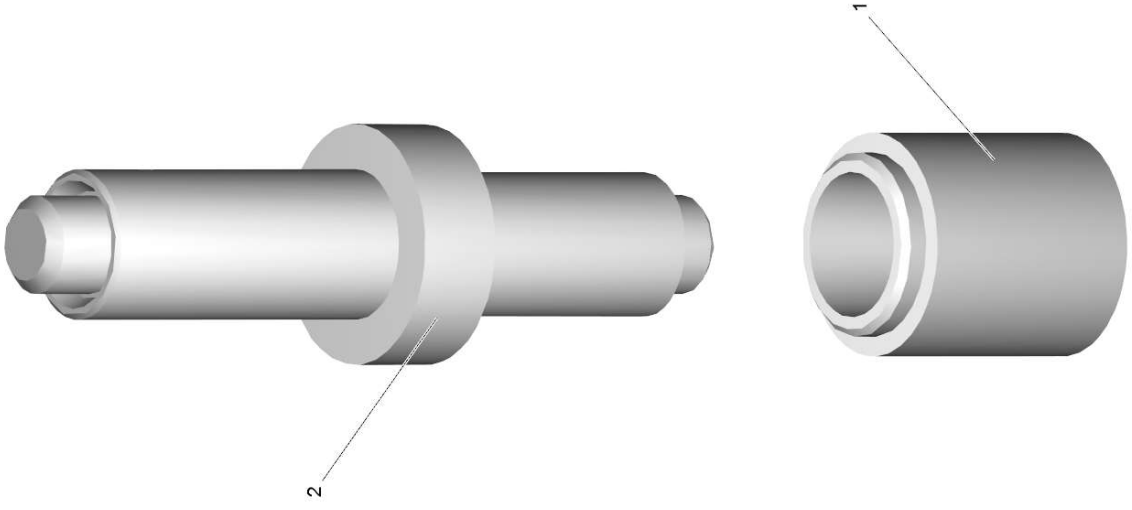
58 Safety system HDS U

POS	Article no.	Description	Quantity	Unit
1	4.427-366.3	Manifold complete safety system	1	PC
902	4.551-058.0	Cartridge protection against water short	1	PC
903	4.580-782.0	Safety valve only for replacement	1	PC
11	5.304-116.0	Adjusting screw	1	PC
6	5.305-162.0	Shaped screw	1	PC
8	6.362-482.0	O-Ring seal 10 x 1,5-NBR 70	1	PC



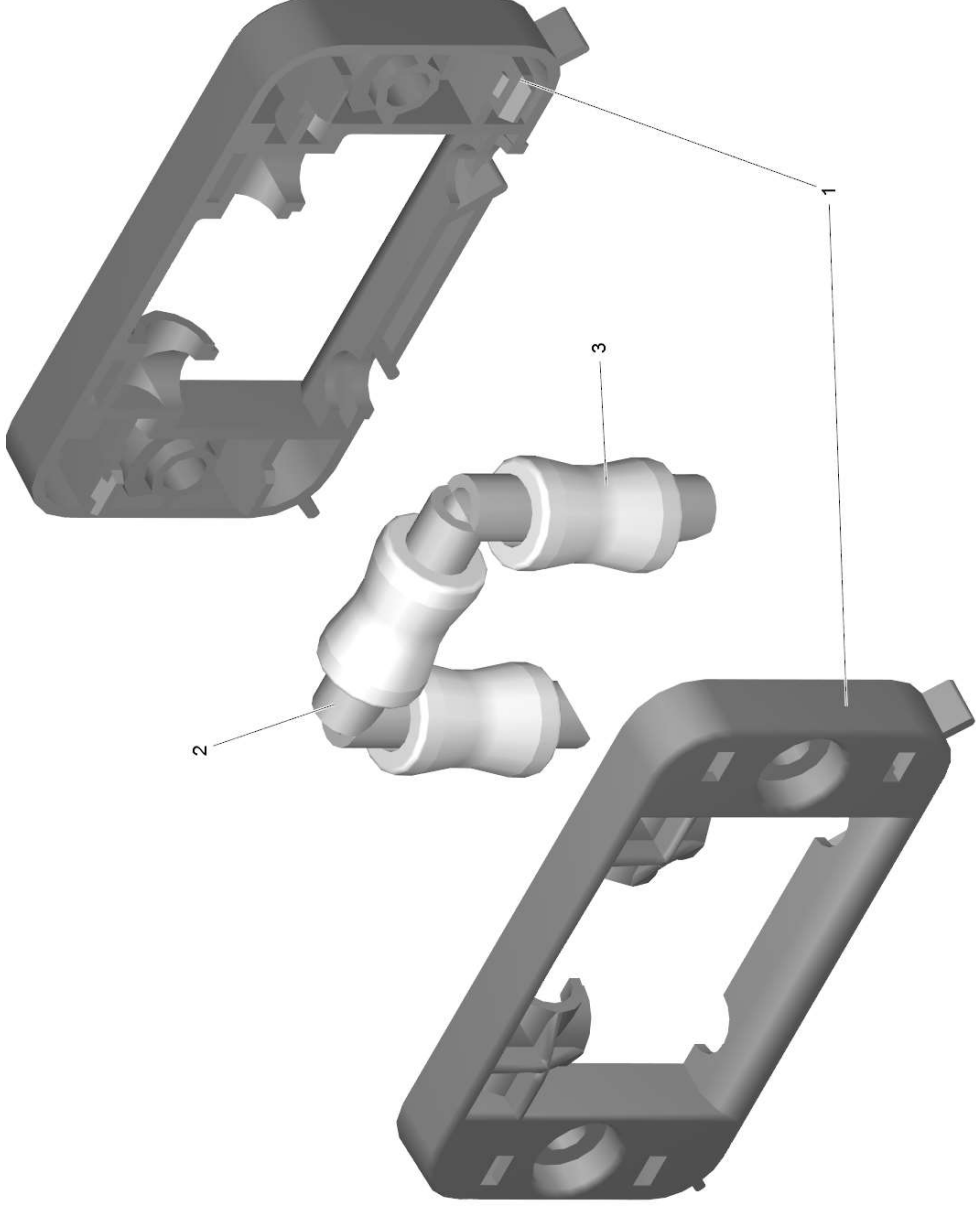
62 Water intake complete HDS U

POS	Article no.	Description	Quantity	Unit
5	5.064-462.0	Cover water intake	1	PC
4	5.363-336.0	Seal	1	PC
3	5.731-634.0	Water filter	1	PC
1	5.731-675.3	Filter housing water intake	1	PC
2	6.363-610.0	O-Ring seal 13 x 3 -NBR	1	PC



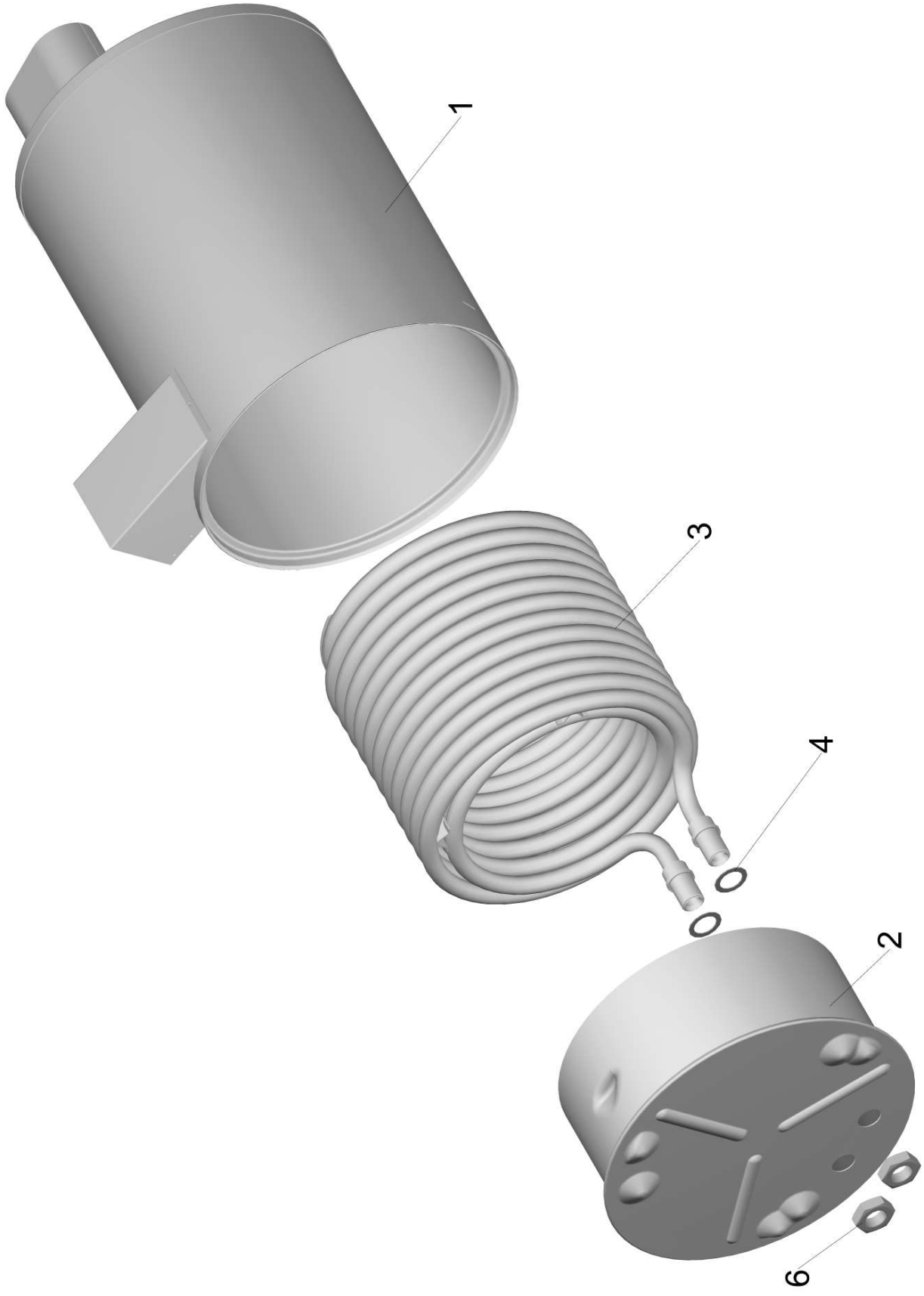
999 Tool (2.901-048.0)

POS	Article no.	Description	Quantity	Unit
1	5.901-223.0	Fitting case C=21,4- D=16,9mm	1	PC
2	5.901-224.0	Assembly mandril A=16,8-B=11,5mm	1	PC



42 Holder roller complete

POS	Article no.	Description	Quantity	Unit
1	5.044-646.0	Holder roller front	2	PC
2	5.128-511.0	Axle	3	PC
3	5.515-191.0	Roller	3	PC



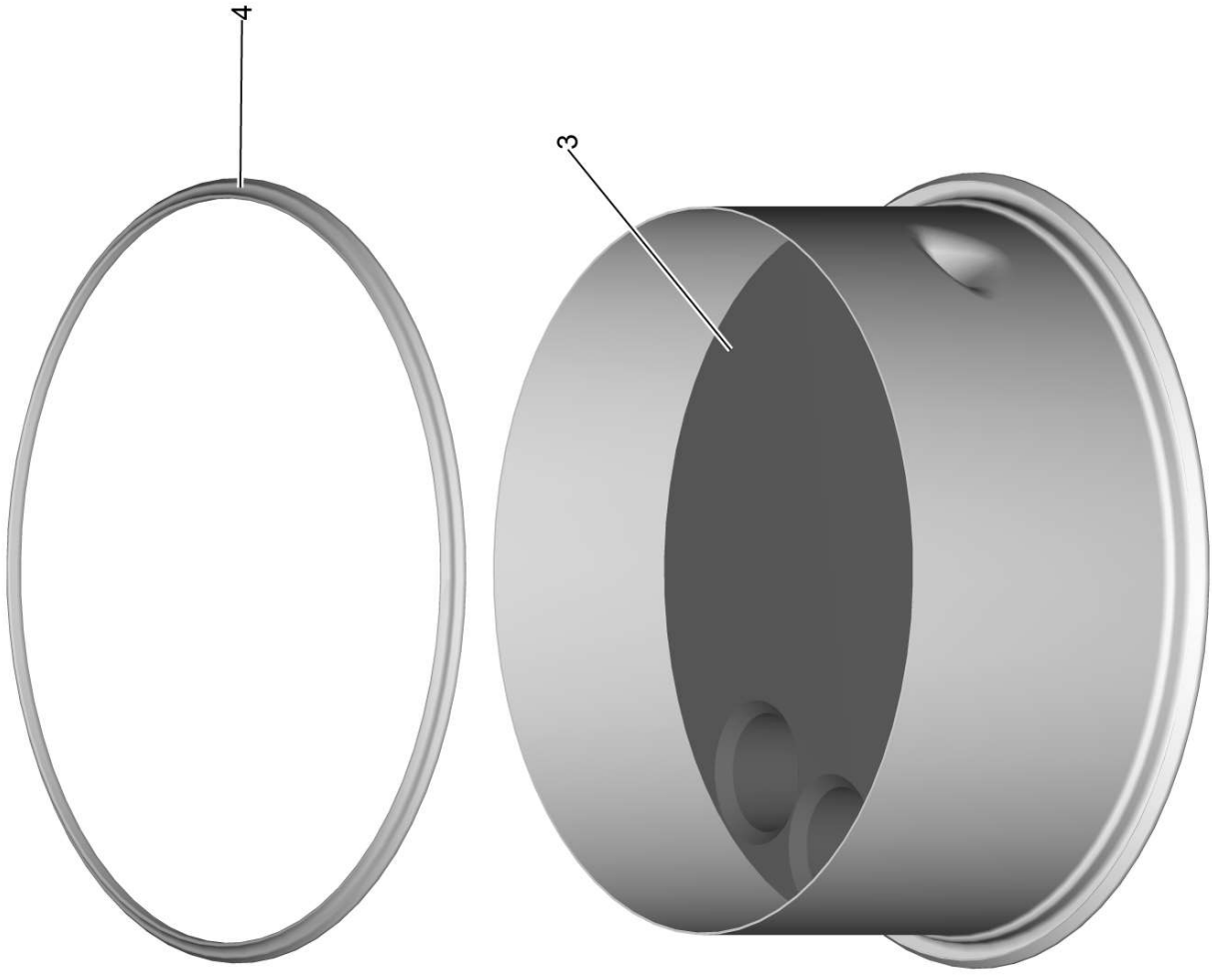
44 Boiler

POS	Article no.	Description	Quantity	Unit
1	4.652-152.0	Vessel mantel complete	1	PC
2	4.655-044.0	Bottom pressure boiler	1	PC
	Item text1: only for 4.640-329.0			
3	4.680-127.0	Heating coil	1	PC
	Item text1: replaced by 4.680-127.3			
3	4.680-127.3	Heating coil	1	PC
4	5.031-339.0	Washer	2	PC
6	7.311-112.0	Hexagon nut M22X1,5 -22H-A2E DIN 936	2	PC



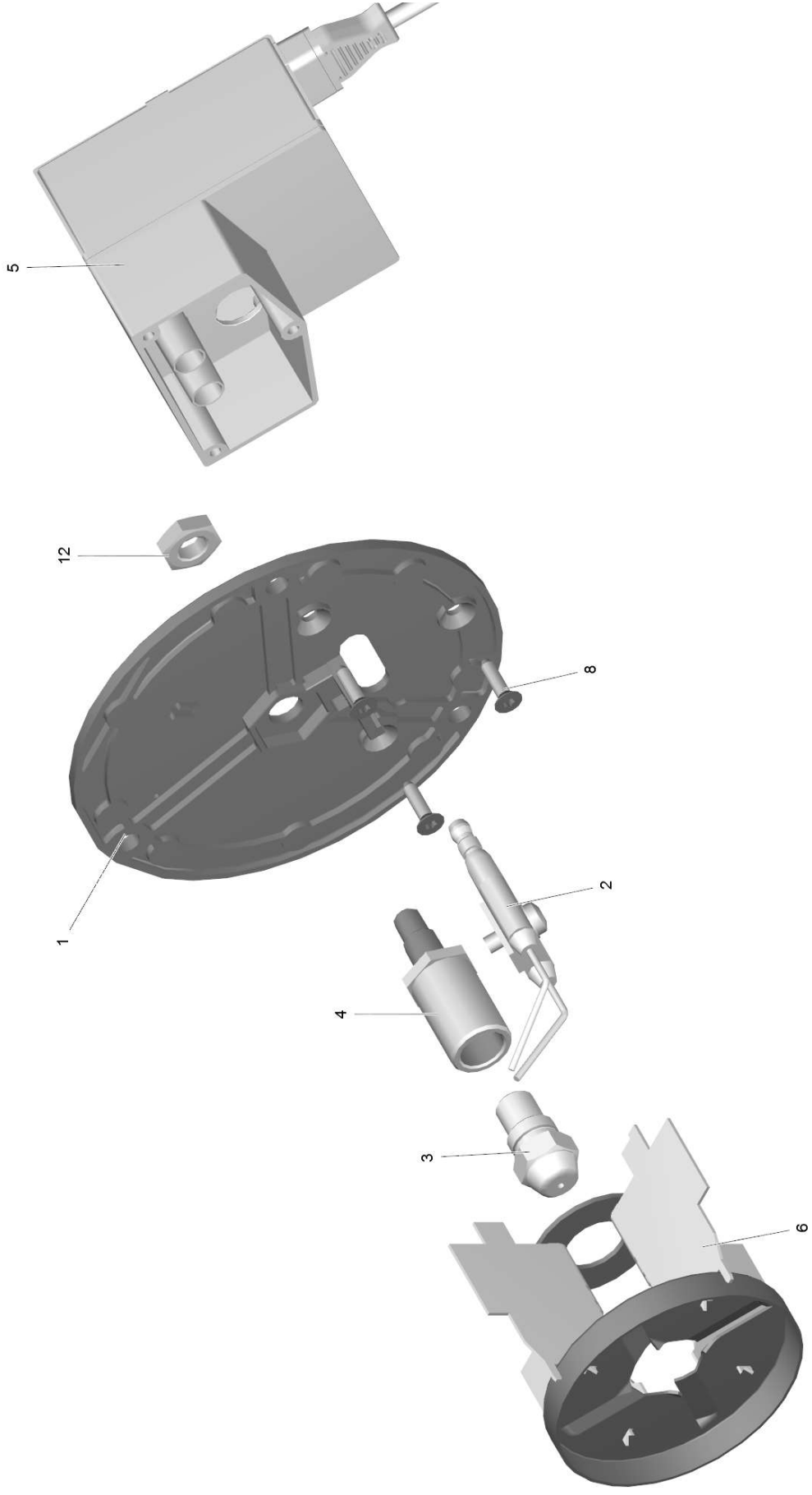
1 Vessel mantel complete (4.652-152.0)

POS	Article no.	Description	Quantity	Unit
6	6.303-258.0	Self-tapping screw	3	PC



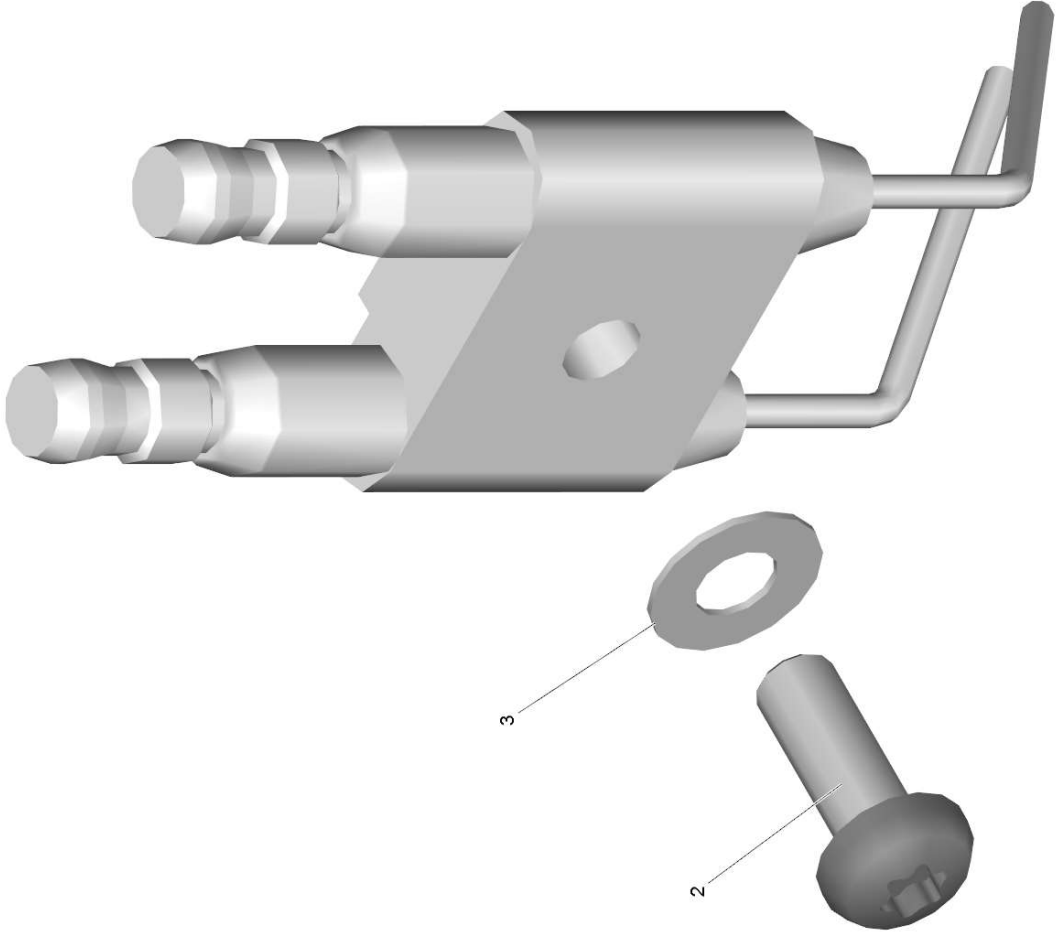
2 Bottom pressure boiler (4.655-044.0)

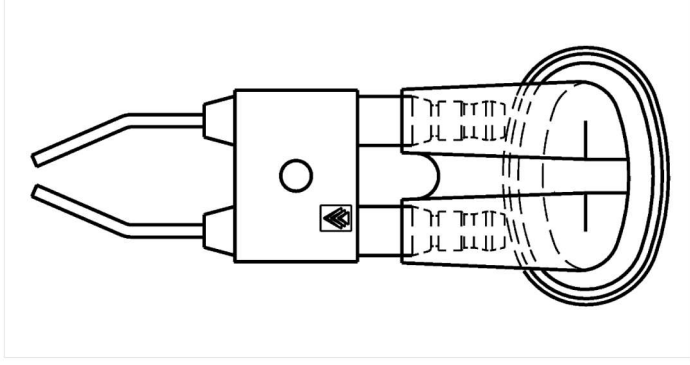
POS	Article no.	Description	Quantity	Unit
4	6.366-009.0	Seal string	1	PC
3	7.777-999.0	Stockpiling discontinued	1	PC



45 Burner complete

POS	Article no.	Description	Quantity	Unit
2	2.638-974.0	Conversion kit ignition electrode	1	PC
5	2.885-209.0	Conversion kit ignition transformer HDS	1	PC
6	4.663-141.0	Baffle plate complete	1	PC
1	5.662-023.0	Burner cover	1	PC
4	5.667-055.0	Nozzle holder	1	PC
3	6.415-920.0	Burner nozzle	1	PC
8	7.303-125.0	Countersunk screw 4x16 -10.9-R2R (In6Rd)	3	PC
12	7.311-101.0	Hexagon nut M10x1 -04-A2E DIN 936	1	PC





2 Conversion kit ignition electrode (2.638-974.0)

POS	Article no.	Description	Quantity	Unit
2	7.306-326.0	Screw M5x14 -8.8-ZNBHL (In6Rd)	1	PC
3	7.312-304.0	Spring washer B 5-FST-A2E DIN 137	1	PC

70 Hose fuel 130mm

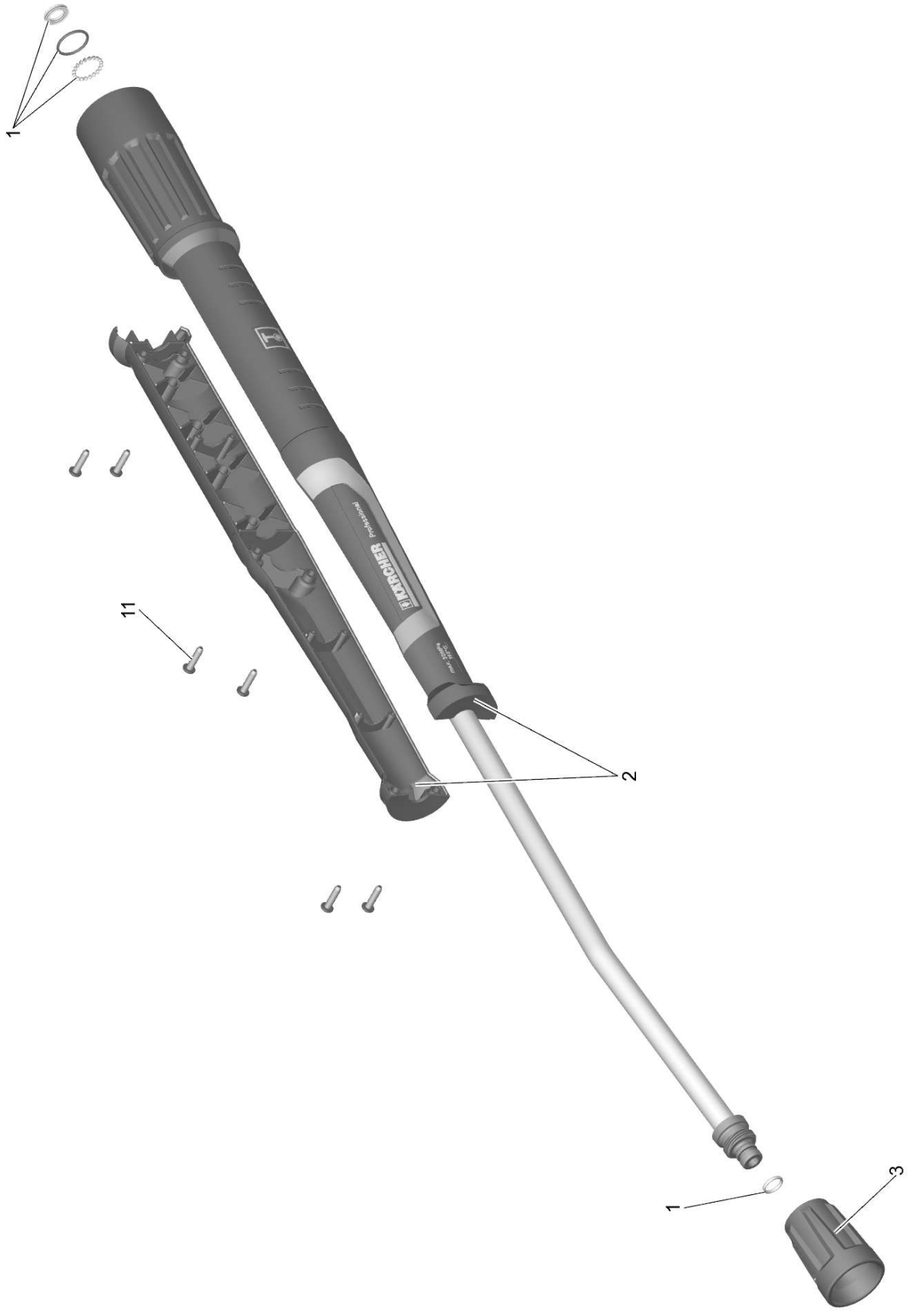
POS	Article no.	Description	Quantity	Unit
1	6.389-534.0	Hose	0,13	m

71 Hose fuel 180mm

POS	Article no.	Description	Quantity	Unit
1	6.389-534.0	Hose	0,18	m

72 Hose fuel 230mm

POS	Article no.	Description	Quantity	Unit
1	6.389-534.0	Hose	0,29	m

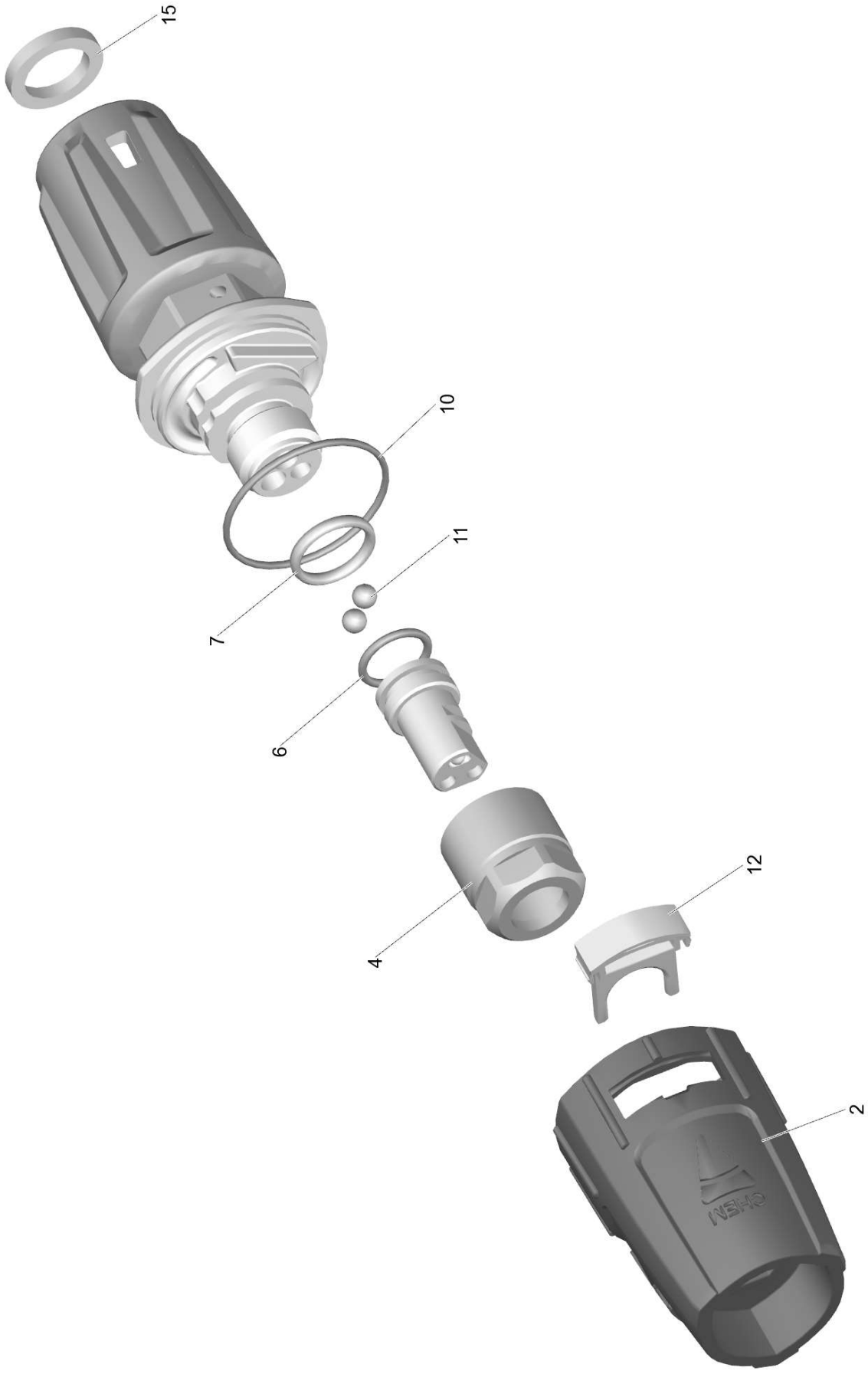


902 Jet pipe TR 840 mm (4.112-006.0)

POS	Article no.	Description	Quantity	Unit
1	4.100-688.0	Spare part set seal TR	1	PC
3	4.112-011.0	Protection part TR only for replacement	1	PC
2	5.321-018.3	Handle bowl jet pipe only for replacement	1	PC
11	7.303-129.0	Screw 4x16-10.9-R2R (K-In6Rd)	6	PC

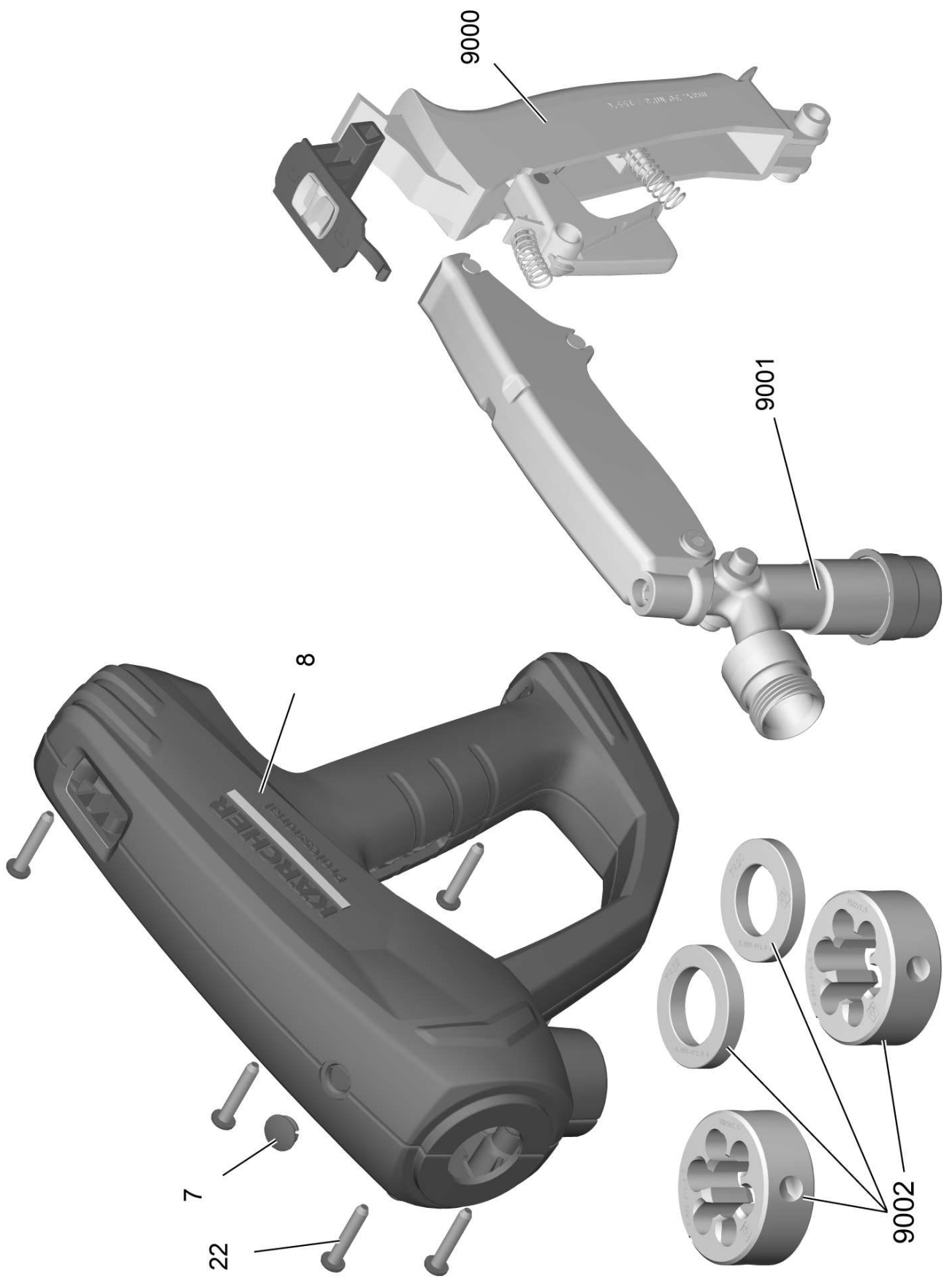
903 Triple jet nozzle TR 032 (4.117-027.0)

POS	Description	Quantity	Unit
1	Triple jet nozzle TR 032	1	PC



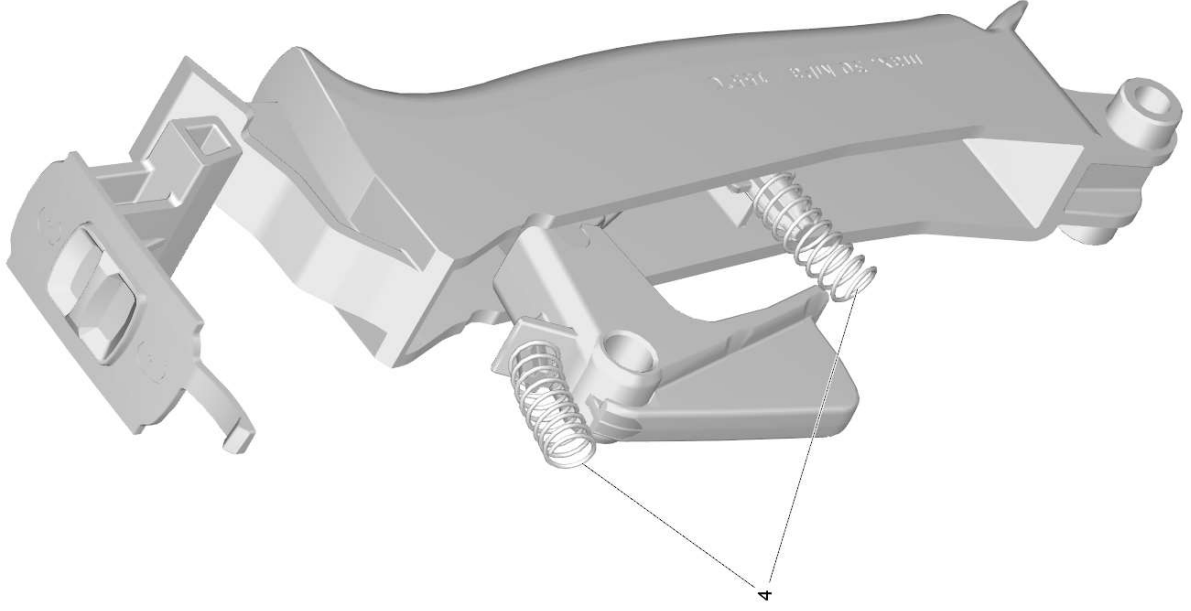
1 Triple jet nozzle TR 032

POS	Article no.	Description	Quantity	Unit
4	5.311-225.0	Nut	1	PC
12	5.321-884.0	Clamp	1	PC
2	5.394-859.0	Protection part	1	PC
10	6.362-409.0	O-Ring seal 32,0 X 1,5	1	PC
7	6.362-460.0	O-Ring seal 14,0 X 2,5-NBR 70	1	PC
6	6.362-480.0	O-Ring seal 12,42x 1,78	1	PC
15	6.363-696.0	Brake ring 14x20x3	1	PC
11	7.401-902.0	Sphere 5 G20 -1.4034 DIN 5401	2	PC



904 EASY!Force Advanced (4.1.18-005.0)

POS	Article no.	Description	Quantity	Unit	Remark
9000	2.885-483.0	Spare part set lever	1	PC	
9001	4.427-014.0	Manifold TR EH 155 nur fuer Ersatz	1	PC	
7	5.132-001.0	Plug	1	PC	
8	5.321-136.3	Handhold few EH 155 only for replacement	1	PC	
9002	5.820-015.0	Screwing die kit TR	1	PC	orderable from 1st July 2025
22	7.303-096.0	Screw 4x22-ST-10.9-R2R (IN6RD)	7	PC	



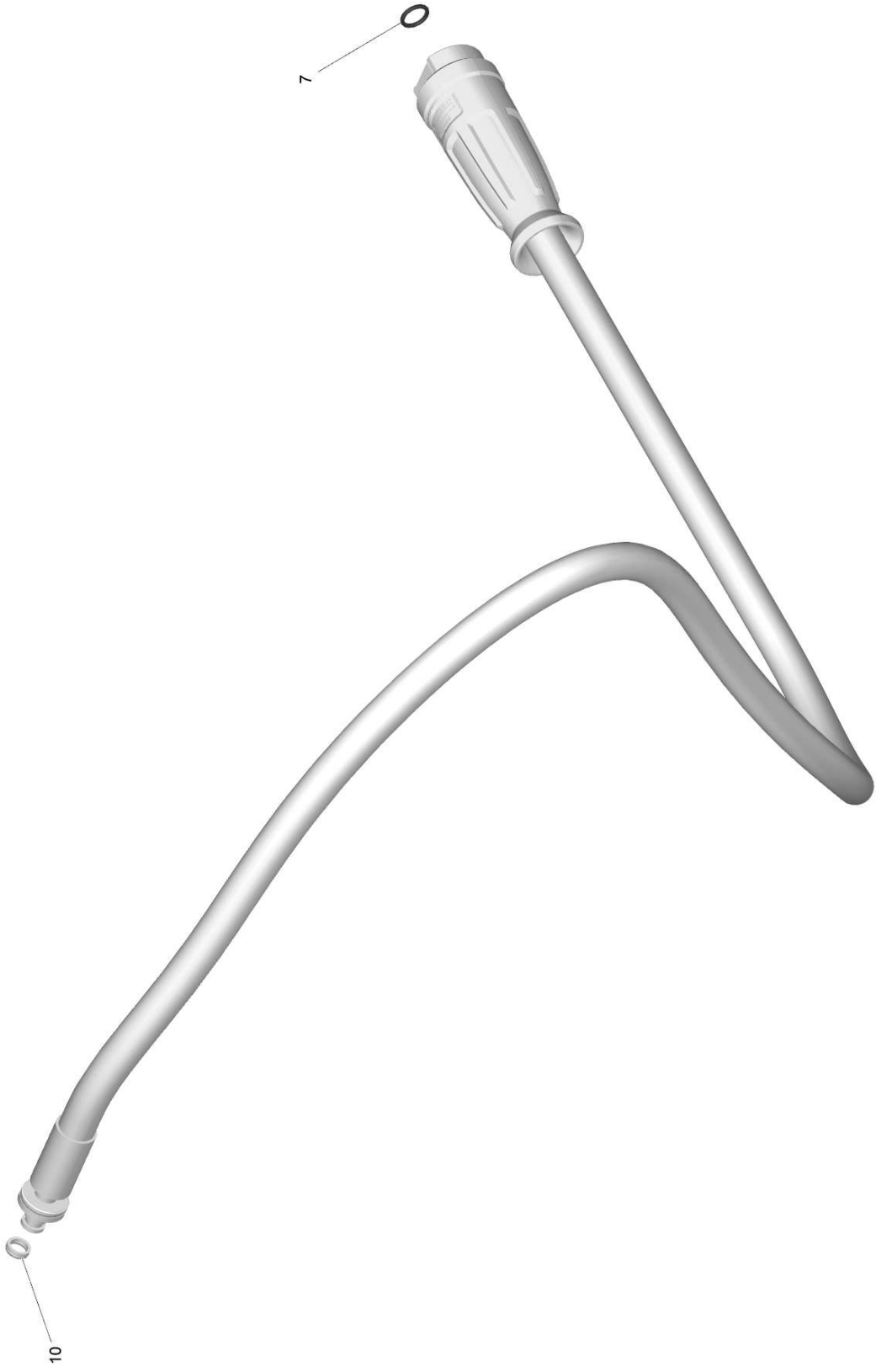
9000 Spare part set lever (2.885-483.0)

POS	Article no.	Description	Quantity	Unit
4	5.332-178.0	Helical spring	2	PC



905 Cover tank only for replacement (4.645-315.0)

POS	Article no.	Description	Quantity	Unit
2	6.363-565.0	O-Ring seal 60x4	1	PC



907 Hose assembly TR DN6 25MPa 15m (6.110-036.0)

POS	Article no.	Description	Quantity	Unit
7	2.880-154.0	O-Ring kit	1	PC
10	4.363-691.0	O-Ring seal kpl. -nur fuer Ersatz-	1	PC