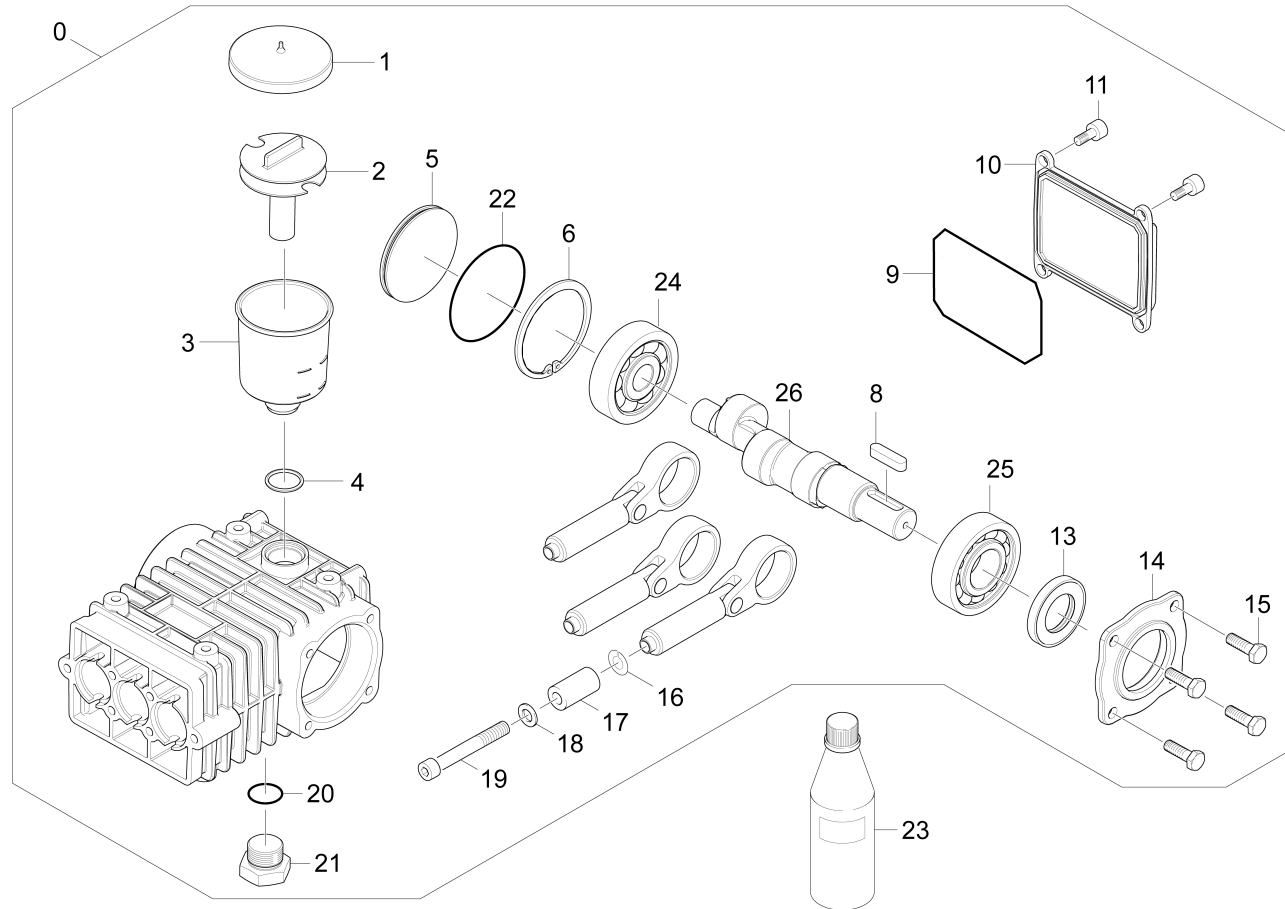


30 Operation

Professional \ High pressure cleaner cold water \ Combustion engine \ HD 10/16-4 Cage Ex \ Operation



30 Operation

Professional \ High pressure cleaner cold water \ Combustion engine \ HD 10/16-4 Cage Ex \ Operation

KÄRCHER

POS	Article no.	Description	Quantity	Unit
0	4.626-014.0	Gear HD 10/16-4 Cage EX	1	PC
1	5.064-459.0	Cover grey	1	PC
2	5.030-389.0	Moulded part	1	PC
3	5.070-048.0	Box	1	PC
4	6.362-168.0	O-Ring seal 22,3 X 2,4-NBR 70	1	PC
5	5.411-173.0	Inspection glass	1	PC
6	7.343-060.0	Locking ring 72x2,5 -St-vz DIN 472	1	PC
8	7.318-043.0	Parallel key 8x7x28-C45K DIN 6885	1	PC
9	6.362-796.0	O-Ring seal 107,62X 2,62	1	PC
10	5.064-171.0	Cover plate housing	1	PC
11	7.306-040.0	Cylinder head screw M8x16 -8.8-A2E ISO4	4	PC
13	6.367-099.0	Rotary shaft seal 52x30	1	PC
14	5.064-172.0	Bearing cover	1	PC
15	7.304-535.0	Hexagonal head screw M8x25-A4-70 ISO 40	4	PC
16	5.116-114.0	Washer	3	PC
17	5.553-482.0	Plunger ceramic D18	3	PC
18	7.362-029.0	Joint ring A8x14 -Cu DIN 7603	3	PC
18	9.302-112.0	O'RING CPL 5,13 X 1,24 NBR 90-KIT 10 PCS	1	PC
19	7.306-238.0	Cylinder head screw M 8x55 A2-70 DIN 7984	3	PC
20	6.363-319.0	O-Ring seal 21,5X3,2	1	PC
21	5.411-177.0	Screw plug	1	PC
22	6.362-501.0	O-Ring seal 68,0 X 2,0-NBR 70	1	PC
23	6.288-016.0	Gear oil 1L	2	PC
24	6.401-398.0	Ball bearing 6404	1	PC
25	6.401-397.0	Ball bearing 6306	1	PC
26	5.103-039.0	Crankshaft	1	PC