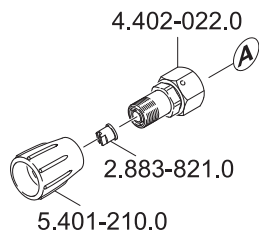
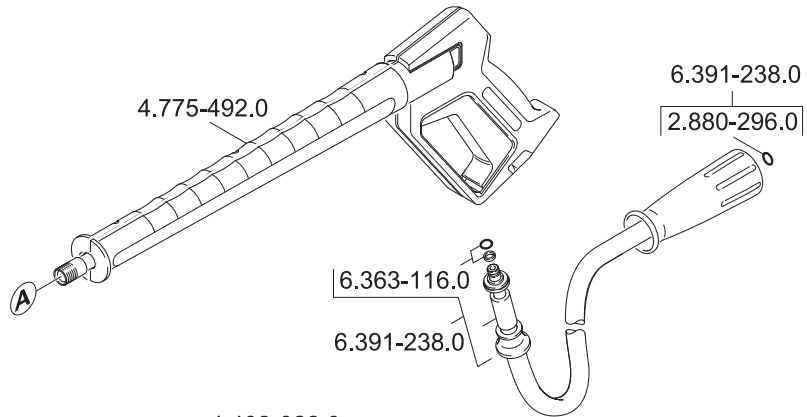
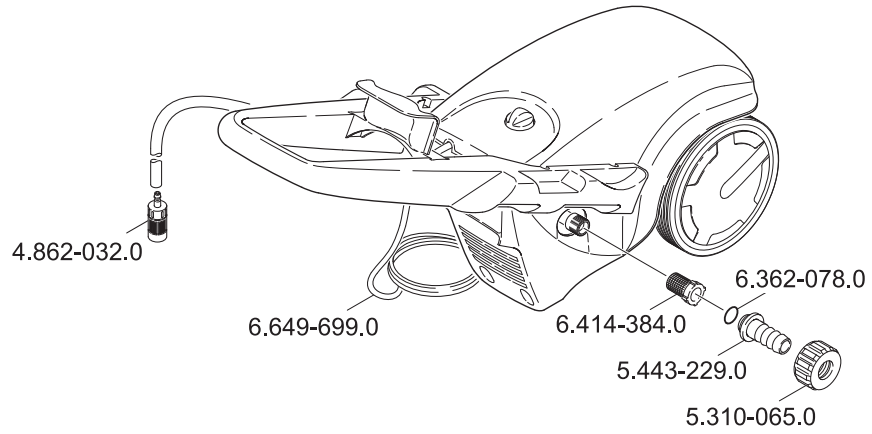


1.118-854.0 HD 605 \*KAP



5.963-284.0 08/09