

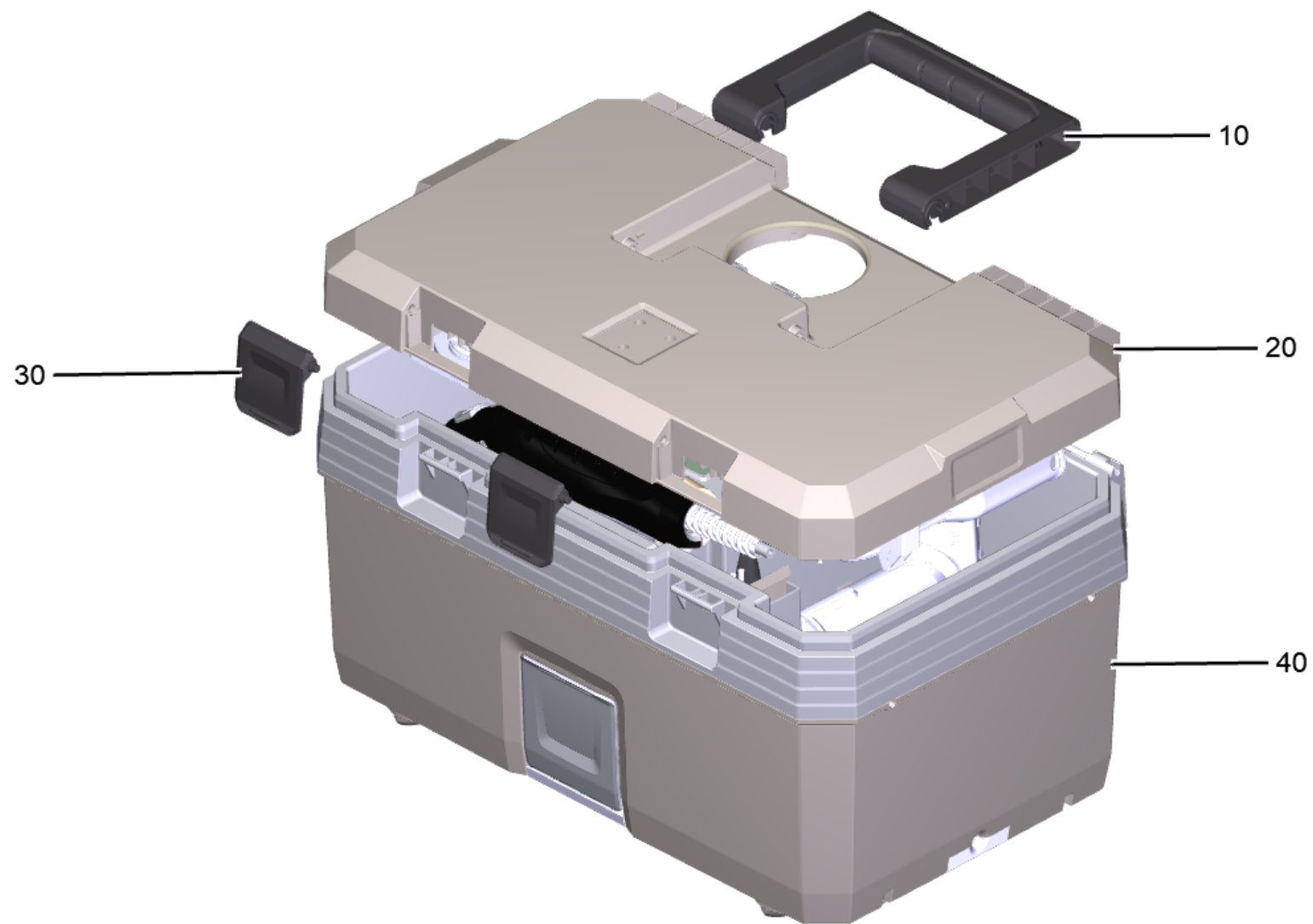
## **Spare parts list**

(1.092-301.0) SG 4/2 Classic \*EU

## Table of contents

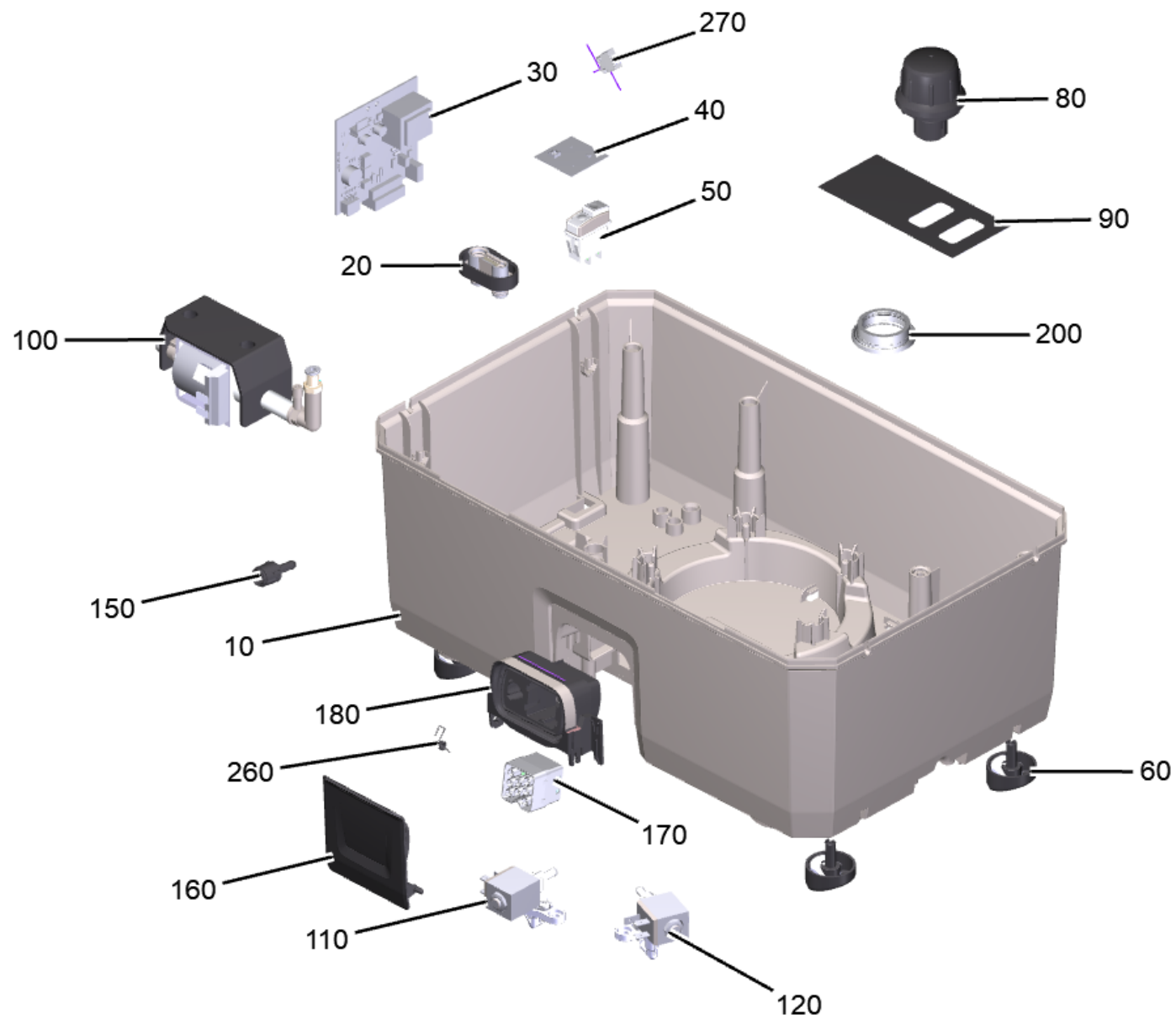
---

SG 4/2 Classic *EU (1.092-301.0)	3
40 Bottom complete (9.754-836.0)	5
80 Safety lock complete replacement (4.590-105.0)	8
999 Accessories	10
21 Steam hose replacement 2m bk/yw (4.322-046.0)	12
50 Power nozzle set (2.863-263.0)	14



SG 4/2 Classic \*EU (1.092-301.0)

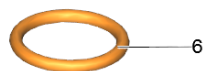
POS	Article no.	Description	Quantity	Unit
10	9.765-749.0	Handle	1	PC
20	9.754-658.0	Main body cover complete	1	PC
30	9.754-555.0	Water tank complete	1	PC
30	9.765-748.0	Release button	2	PC
40	9.754-836.0	Bottom complete	1	PC
999		Accessories	1	PC
1030	6.512-001.0	Bearing rubber bottom	5	PC





## 40 Bottom complete (9.754-836.0)

POS	Article no.	Description	Quantity	Unit
1	9.765-754.0	Main body middle frame	1	PC
10	9.765-755.0	Main body bottom	1	PC
20	9.754-655.0	Valve tank complete	1	PC
30	9.765-828.0	Printed circuit board SG4-2	1	PC
40	9.765-827.0	Control system	1	PC
50	9.765-872.0	Switch one-pole	1	PC
60	4.512-126.0	Castor complete DD	4	PC
70	9.769-320.0	Cable with plug 5m*EU	1	PC
80	4.590-105.0	Safety lock complete replacement	1	PC
90	9.765-761.0	Cover display	1	PC
100	9.754-792.0	Pump complete E501	1	PC
110	9.754-562.0	Water valve component	1	PC
120	9.754-561.0	Steam trap valve component	1	PC
130	6.303-199.0	Oval head screw 4,2x 16	2	PC
140	7.303-108.0	Screw 5x20 -10.9-R2R (In6Rd)	17	PC
150	9.765-831.0	Nipple plug socket	1	PC
160	9.765-758.0	Cover steam connector	1	PC
170	9.754-599.0	Wire internal complete	1	PC
180	9.765-773.0	Plug socket EFH	1	PC
190	9.754-819.0	Boiler complete	1	PC
200	5.363-745.0	Seal connection piece M24	1	PC
210	9.765-777.0	Hose boiler steam valve	2	PC
220	9.765-776.0	Hose boiler water valve	2	PC
230	6.389-993.0	Hose clip 7,5 - 9,0	2	PC
240	6.389-882.0	Hose clip 8,5-10,0	6	PC
250	9.765-775.0	Nylon thread mesh bag	2	PC
260	6.332-002.0	Torsion spring plug socket base	1	PC
270	6.630-349.0	Switch one-pole	1	PC
280	9.765-988.0	Grounding cable	1	PC



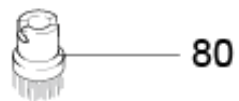
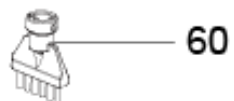
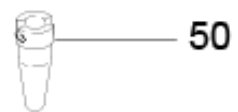


80 Safety lock complete replacement (4.590-105.0)

---

POS	Article no.	Description	Quantity	Unit
6	6.363-468.0	O-Ring seal EPDM 22x3	1	PC

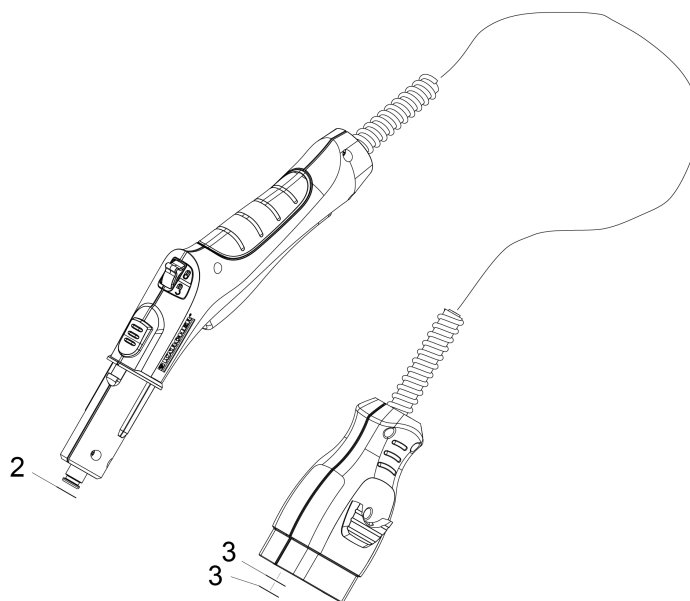
---



## 999 Accessories

---

POS	Article no.	Description	Quantity	Unit
20	9.754-757.0	Steam hose complete	1	PC
21	4.322-046.0	Steam hose replacement 2m bk/yw	1	PC
30	9.754-563.0	Brush complete	1	PC
40	5.130-349.0	Hand nozzle	1	PC
50	2.863-263.0	Power nozzle set	1	PC
60	9.765-782.0	Brush corner	1	PC
70	9.765-783.0	Steamer	1	PC
80	2.863-264.0	Round brushes set	2	PC
90	6.369-357.0	Cloth set	1	PC



21 Steam hose replacement 2m bk/yw (4.322-046.0)

---

<b>POS</b>	<b>Article no.</b>	<b>Description</b>	<b>Quantity</b>	<b>Unit</b>
2	6.362-922.0	O-Ring seal 8,73x1,78	1	PC
3	6.362-923.0	O-Ring seal 6,75X 1,78	2	PC

50 Power nozzle set (2.863-263.0)

---

POS	Article no.	Description	Quantity	Unit
2	6.362-924.0	O-Ring seal 6,02X 2,62	1	PC