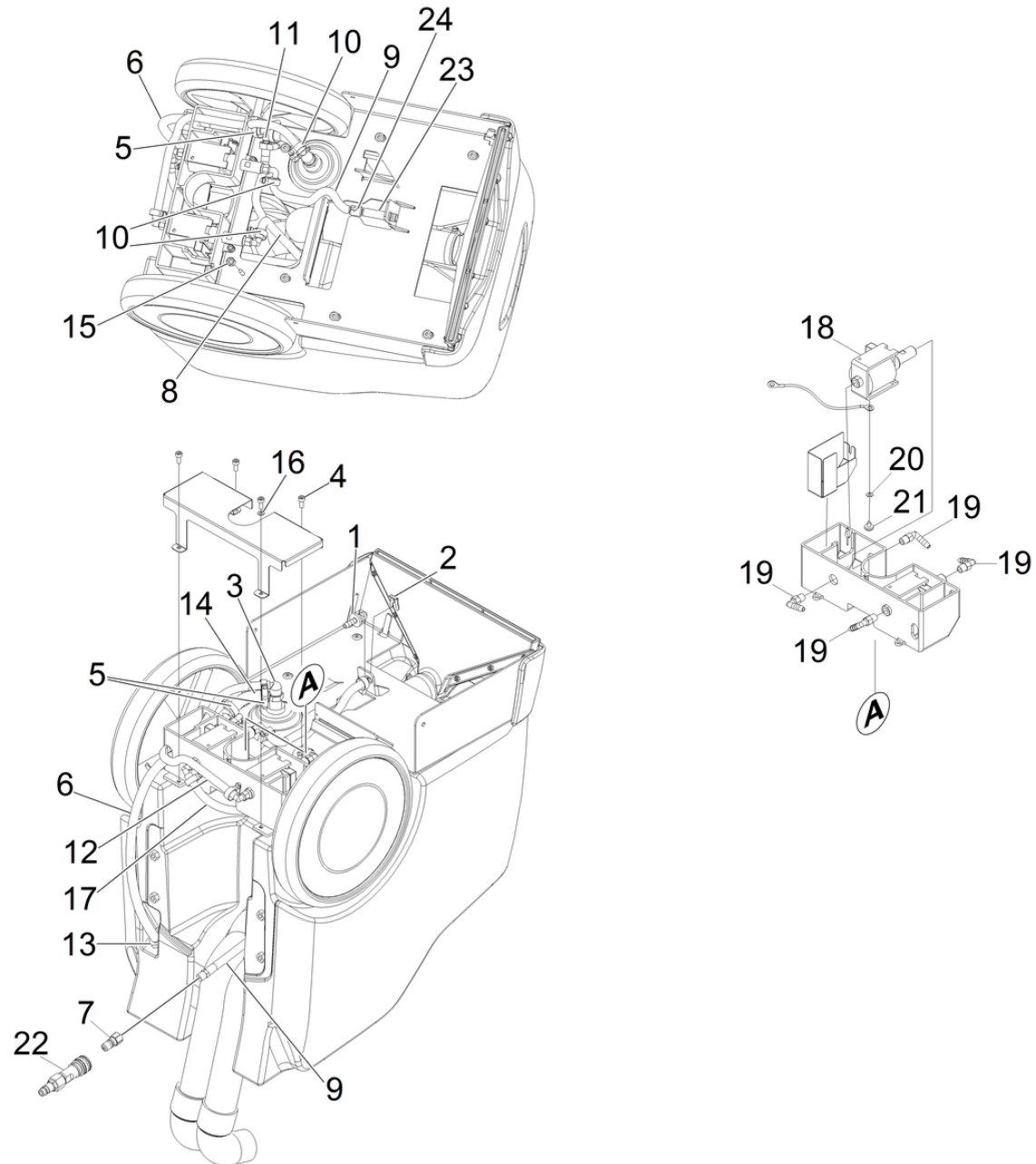


50 Chemistry pump

Professional \ Floor cleaner \ Carpet cleaner \ BRC 30/15 C \ Spare parts list BRC 30/15C - Mini Pro \ Chemistry pump



50 Chemistry pump

Professional \ Floor cleaner \ Carpet cleaner \ BRC 30/15 C \ Spare parts list BRC 30/15C - Mini Pro \ Chemistry pump



POS	Article no.	Description	Quantity	Unit	Remark
1	8.621-958.0	JET, RT ANG, 1/4 BARB	1	PC	
2	8.621-681.0	Clamp shaft 9-12MM	1	PC	
3	8.621-920.0	HOSEBARB, 3/8MPT,2X 1/4,1X 3/8	1	PC	
4	8.617-295.0	SCREW, M5-.8 X 12 SHCS SS DIN912	4	PC	
5	8.623-315.0	CLAMP, 3/8 HOSE (D-SLOT)	3	PC	
6	8.621-909.0	HOSE, 3/8"ID X 432MM CLEAR	1	PC	
7	8.620-082.0	Nipple 1/8	1	PC	
8	8.621-907.0	Hose 6MM X 610MM	1	PC	
9	8.637-773.0	HOSE, 6MM X 190MM NYLOBRAID	1	PC	
10	8.623-309.0	CLAMP, 1/4 ID HOSE	6	PC	
11	8.628-933.0	HOSEBARB, TEE 3/8X3/8X1/4	1	PC	
12	8.621-905.0	Hose 6MM X 390MM NYLOBRAID	1	PC	
13	8.624-043.0	HOSEBARB, 3/8 MPT X 3/8 NYLON	1	PC	
14	8.601-268.0	Hose 3/8id X 60mm Nylobraid	1	PC	
15	8.600-564.0	NUT, 10-32 HEX NYLOCK STL GR2 ZNPLT	1	PC	
16	8.601-064.0	Washer #10 LOCK EXT STAR SS	1	PC	
17	8.621-906.0	Hose 6MM X 318MM	1	PC	
18	8.620-111.0	PUMP, 110/120 60HZ FLOJET	1	PC	110V/120V - 60Hz
18	8.620-112.0	Pump 220/240V 50HZ FLOJET	1	PC	220V/240V - 50Hz
19	8.624-052.0	HOSEBARB, 1/8MPT X 1/4 90D	4	PC	
20	8.601-064.0	Washer #10 LOCK EXT STAR SS	2	PC	
21	8.600-677.0	SCREW, 10-32 X .25 PHPNHTF STL ZNPLT	2	PC	
22	8.631-030.0	ASSY, ADPT, 1/8MX1/4FPT NIPPLE	1	PC	
23	8.637-774.0	HOSE, 6MM X 40MM NYLOBRAID	1	PC	
24	8.634-941.0	CHECK VALVE, MINI	1	PC	