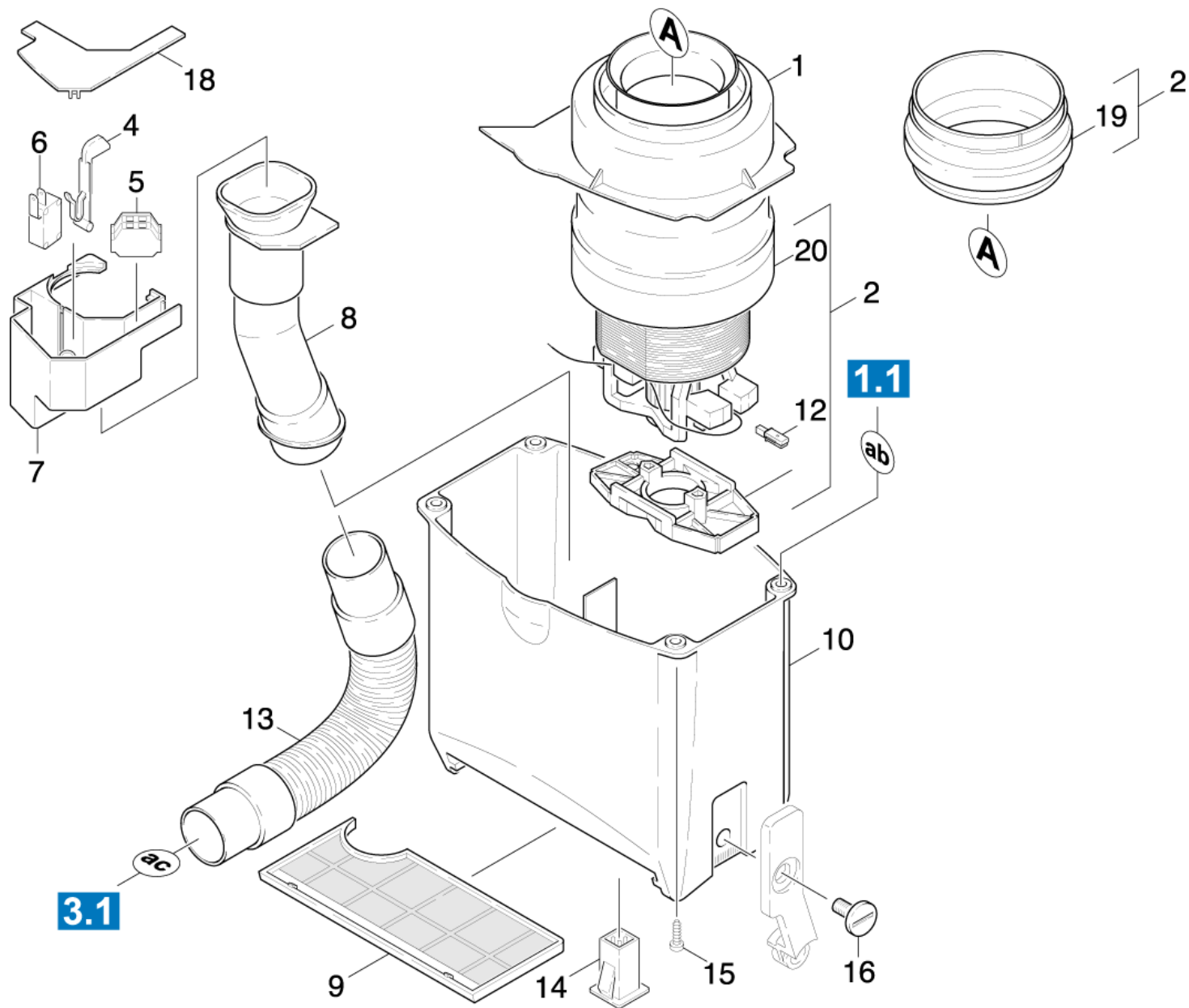


20 Motor

Overview technical documents/Professional/Vacuum cleaner/Dry vacuum cleaner/CV 36/2 (1.033-305.0)/Spare parts list CV 36/2/20 Motor



20 Motor

Overview technical documents/Professional/Vacuum cleaner/Dry vacuum cleaner/CV 36/2 (1.033-305.0)/Spare parts list CV 36/2/20 Motor

Rez.daļas/nodil.pakļ.daļas	Poz.	Materiāla Nr.	Nosaukums	Daudzums	Pārdoš. vienība	no sēr. Nr..	līdz sēr. Nr.
	1	5.365-195.0	Sealing lip	1.000	ST	0000000000	0000000000
	2	2.640-161.0	Add-on kit vacuum motor 120V CW50/100	1.000	ST	0000000000	0000000000
	3	5.672-232.0	Engine holder	1.000	ST	0000000000	0000000000
	4	5.031-014.0	Pushbutton micro switch	1.000	ST	0000000000	0000000000
	5	6.643-551.0	Strip terminal	1.000	ST	0000000000	0000000000
	6	6.631-780.0	Mikroslēdzis	1.000	ST	0000000000	0000000000
X	7	5.063-621.0	Cover pot * USA	1.000	ST	0000000000	0000000000
	8	5.031-202.0	Connection piece	1.000	ST	0000000000	0000000000
X	9	5.731-048.0	Filter	1.000	ST	0000000000	0000000000
	10	5.032-224.0	Pot TORNADO	1.000	ST	0000000000	0000000000
Pozīcijas teksts: / 1.033-313.0							
	10	5.032-009.0	Pot * USA	1.000	ST	0000000000	0000000000
Pozīcijas teksts: / 1.033-305.0							
	12	6.610-249.0	Carbon brush set 120V (Domel)	1.000	ST	0000000000	0000000000
	13	6.389-815.0	Suction hose DN32	1.000	ST	0000000000	0000000000
	14	6.647-436.0	Plug socket element	1.000	ST	0000000000	0000000000
	15	6.304-120.0	Oval head screw M 5X 16-8.8-A2R (IN6RD)	4.000	ST	0000000000	0000000000
	16	6.304-100.0	Screw M 8 X 13	2.000	ST	0000000000	0000000000
	18	5.031-063.0	Covering cap	1.000	ST	0000000000	0000000000
	19	5.114-491.0	Intermediate ring	1.000	ST	0000000000	0000000000
	20	6.490-165.0	Vacuum motor 120V CW50/100	1.000	ST	0000000000	0000000000