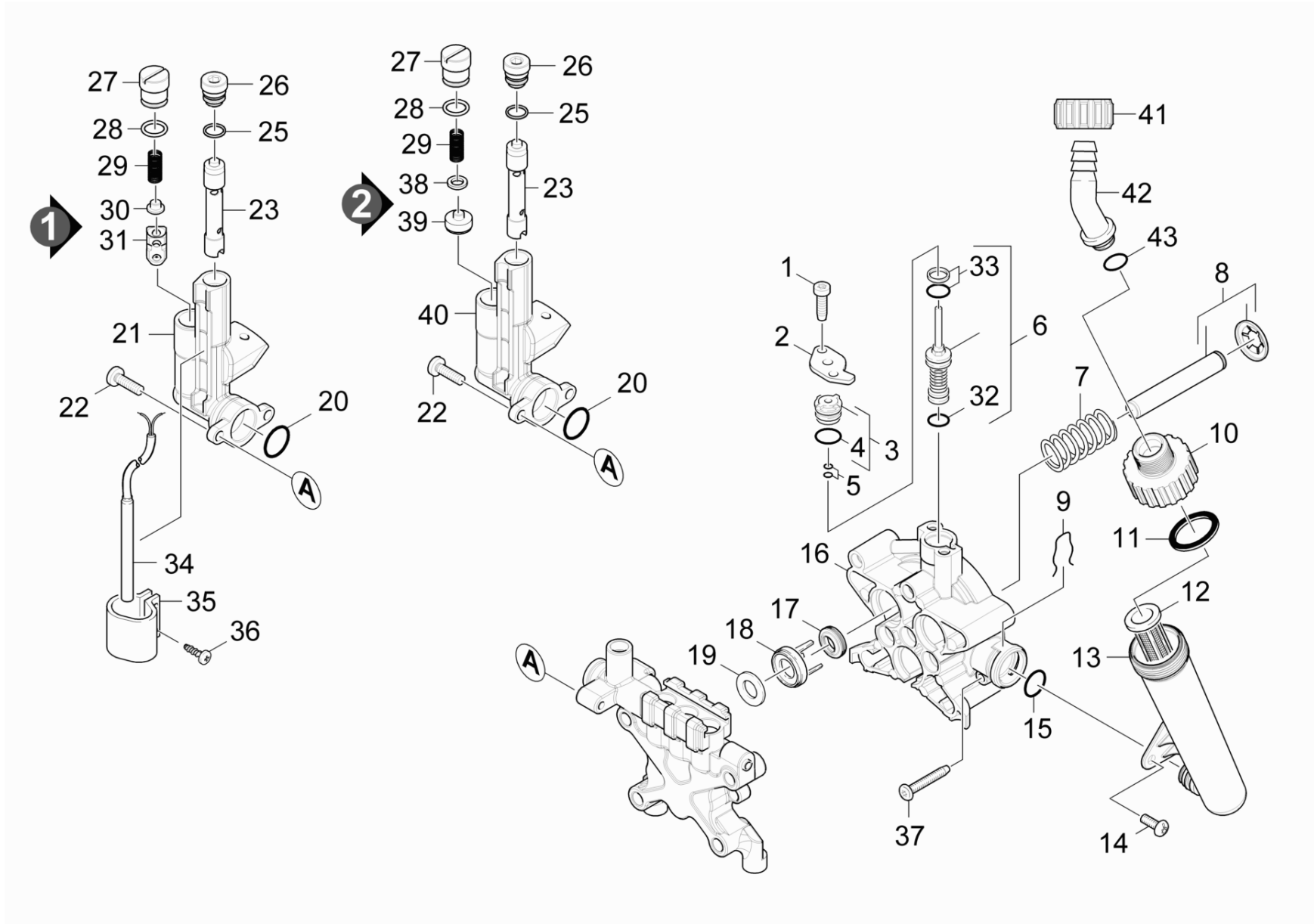


## 22 Piston guidance

Overview technical documents/Professional/High pressure cleaner hotwater/Electric motor/HDS 5/11 U \*EU (1.064-001.0)/Spare parts list HDS 5/11 U/20 Pump set/22 Piston guidance



## 22 Piston guidance

Overview technical documents/Professional/High pressure cleaner hotwater/Electric motor/HDS 5/11 U \*EU (1.064-001.0)/Spare parts list HDS 5/11 U/20 Pump set/22 Piston guidance

Rez.daļas/nodil.pakļ.daļas	Poz.	Materiāla Nr.	Nosaukums	Daudzums	Pārdoš. vienība
	1	7.303-048.0	Screw M6x20 -St-R3R (In6Rd)	2.000	ST
	2	5.064-127.0	Cover	1.000	ST
	3	4.030-069.0	Moulded part complete only for replaceme	1.000	ST
	4	6.362-169.0	Gredzenblīve 12,0 X 2,0	1.000	ST
	5	6.362-852.0	Gredzenblīve, pilns komplekts 3,69	1.000	ST
X-X	6	4.580-325.0	Excess-current complete	1.000	ST
	7	5.332-391.0	Piespiedējatspere	3.000	ST
X-X	8	4.553-234.0	Piston	3.000	ST
	9	5.048-915.0	Spaile	1.000	ST
X-X	10	5.064-354.0	Cover water intake	1.000	ST
	11	5.363-336.0	Seal	1.000	ST
	12	5.731-587.0	Ūdens filtrs	1.000	ST
X-X	13	5.129-201.0	Tube water intake	1.000	ST
	14	7.303-037.0	Skrūve M5x8 -St-A2R (In6Rd)	1.000	ST
	15	6.363-038.0	Gredzenblīve 13X3 NBR 70	1.000	ST
	16	5.061-012.0	Virzuļa vadotne	1.000	ST
	17	6.365-393.0	Gredzens ar rievu 12x20x4/6	3.000	ST
	18	5.116-062.0	Paplāksne	3.000	ST
X-X	19	5.115-721.0	Paplāksne	3.000	ST
	20	6.362-580.0	Gredzenblīve 17,0 X 2,0-NBR 70	1.000	ST
X-X	21	2.882-702.0	Conversion kit safety system	1.000	ST
	22	7.306-022.0	Cylinder head screw M 6x20-8.8-A2E ISO47	2.000	ST
X-X	23	4.551-058.0	Cartridge protection from 4.553-303.0	1.000	ST
	25	6.362-482.0	Gredzenblīve 10 x 1,5-NBR 70	1.000	ST
	26	5.305-162.0	Formas skrūve	1.000	ST

## 22 Piston guidance

Overview technical documents/Professional/High pressure cleaner hotwater/Electric motor/HDS 5/11 U \*EU (1.064-001.0)/Spare parts list HDS 5/11 U/20 Pump set/22 Piston guidance

Rez.daļas/nodil.pakļ.daļas	Poz.	Materiāla Nr.	Nosaukums	Daudzums	Pārdoš. vienība
	27	5.583-096.0	Valve screw	1.000	ST
	28	6.362-169.0	Gredzenblīve 12,0 X 2,0	1.000	ST
	29	5.332-414.0	Spirālveida atspere	1.000	ST
	30	5.584-060.0	Valve pin	1.000	ST
	31	4.582-019.0	Valve disc complete	1.000	ST
	32	6.362-958.0	Gredzenblīve 9 x 2-NBR 90	1.000	ST
	33	6.363-174.0	Gredzenblīve, pilns komplekts 12,42	1.000	ST
	34	2.883-384.0	Reed switch replacement	1.000	ST
	35	5.041-076.0	Clamp	1.000	ST
	36	6.303-122.0	M4	1.000	ST
	37	7.303-043.0	Screw M5x30-ST-A2R (IN6RD)	2.000	ST
	38	5.115-260.0	Washer	1.000	ST
X-X	39	5.581-349.0	Vārstu plate	1.000	ST
X-X	40	5.427-454.0	Manifold	1.000	ST
	41	5.310-062.0	Uzgrieznis	1.000	ST
	42	5.443-285.0	Caurules nipelis	1.000	ST
	43	6.362-078.0	Gredzenblīve 13,3x2,4	1.000	ST