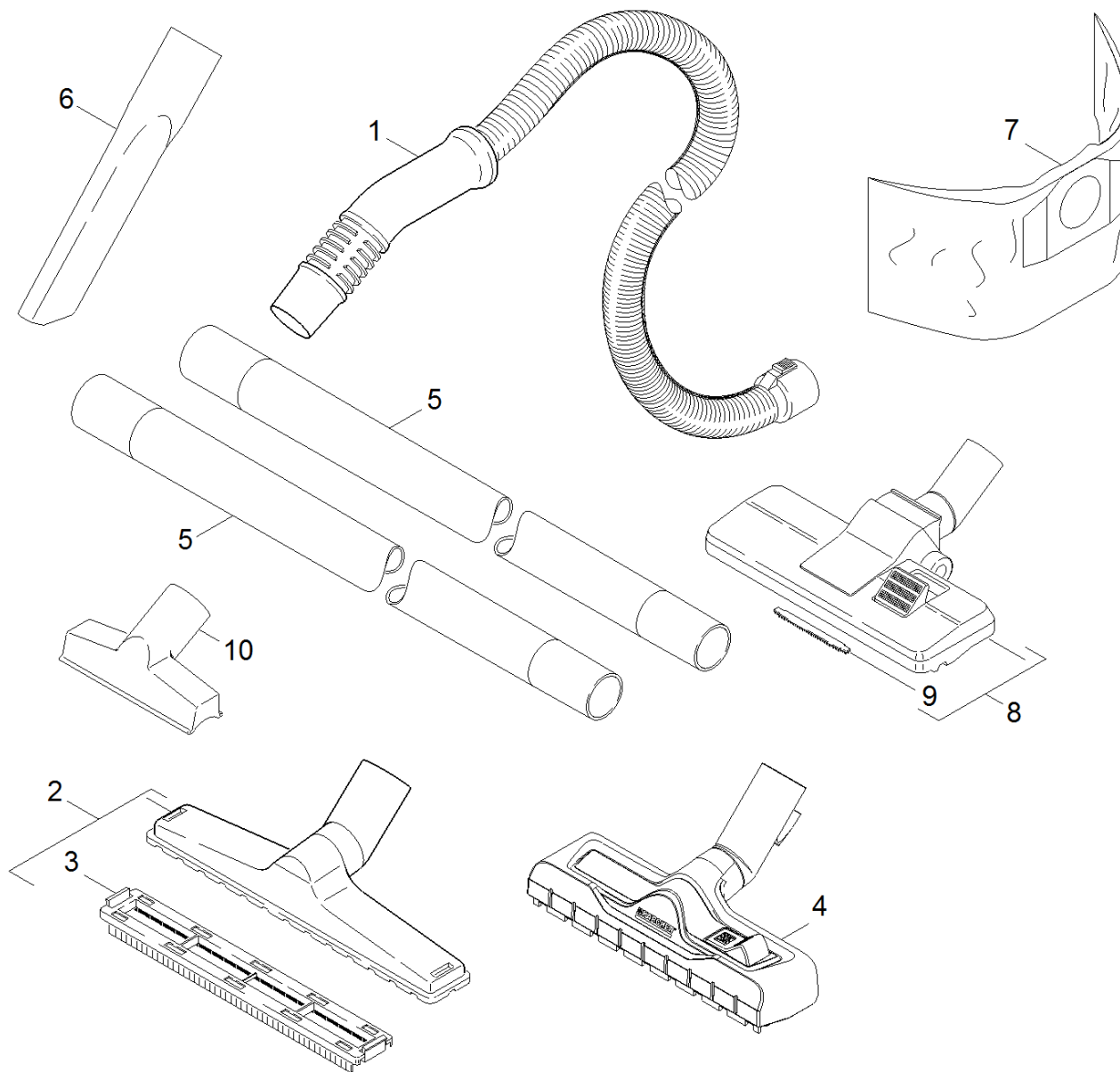


30 Accessories

Overview technical documents/Home & Garden/Vacuum cleaner/Wet-/Dry vacuum cleaner/wet/A 2500

*EU (1.723-406.0)/Spare parts list A 2204/2504/2500/30 Accessories



30 Accessories

Overview technical documents/Home & Garden/Vacuum cleaner/Wet-/Dry vacuum cleaner/wet/A 2500

*EU (1.723-406.0)/Spare parts list A 2204/2504/2500/30 Accessories

Rez.daļas/nodil.pakļ.daļas	Poz.	Materiāla Nr.	Nosaukums	Daudzums	Pārdoš. vienība	no sēr. Nr..	līdz sēr. Nr.	Daž. informācija
	1	9.012-004.0	Sūkšanas šļūtene DN35 x 2	1.000	ST	0000000000	0000000000	2,0M
	1	9.012-866.0	Suction hose DN35 3,5m	1.000	ST			3,5M
	2	2.862-141.0	Floor tool complete	1.000	ST	0000000000	0000000000	
	3	9.036-892.0	Jauktais ieliktnis	1.000	ST	0000000000	0000000000	
X	4	2.863-000.0	floor tool	1.000	ST	0000000000	0000000000	
	5	2.863-148.0	Suction tube DN35	2.000	ST	0000000000	0000000000	
X-X	6	2.863-144.0	Crevice nozzle 350 mm	1.000	ST			350mm
	6	6.900-385.0	Šaurais uzgalis stūriem DN35	1.000	ST	0000000000	0000000000	210mm
X-X	7	6.959-130.0	Papīra filtru maisiņi A2204	1.000	ZSA	0000000000	0000000000	
	8	6.906-511.0	Kombinētais uzgalis DN35	1.000	ST	0000000000	0000000000	
	9	6.905-410.0	Thread clipper	1.000	ZSA	0000000000	0000000000	
	10	2.863-150.0	Upholstery nozzle NW 35	1.000	ST			