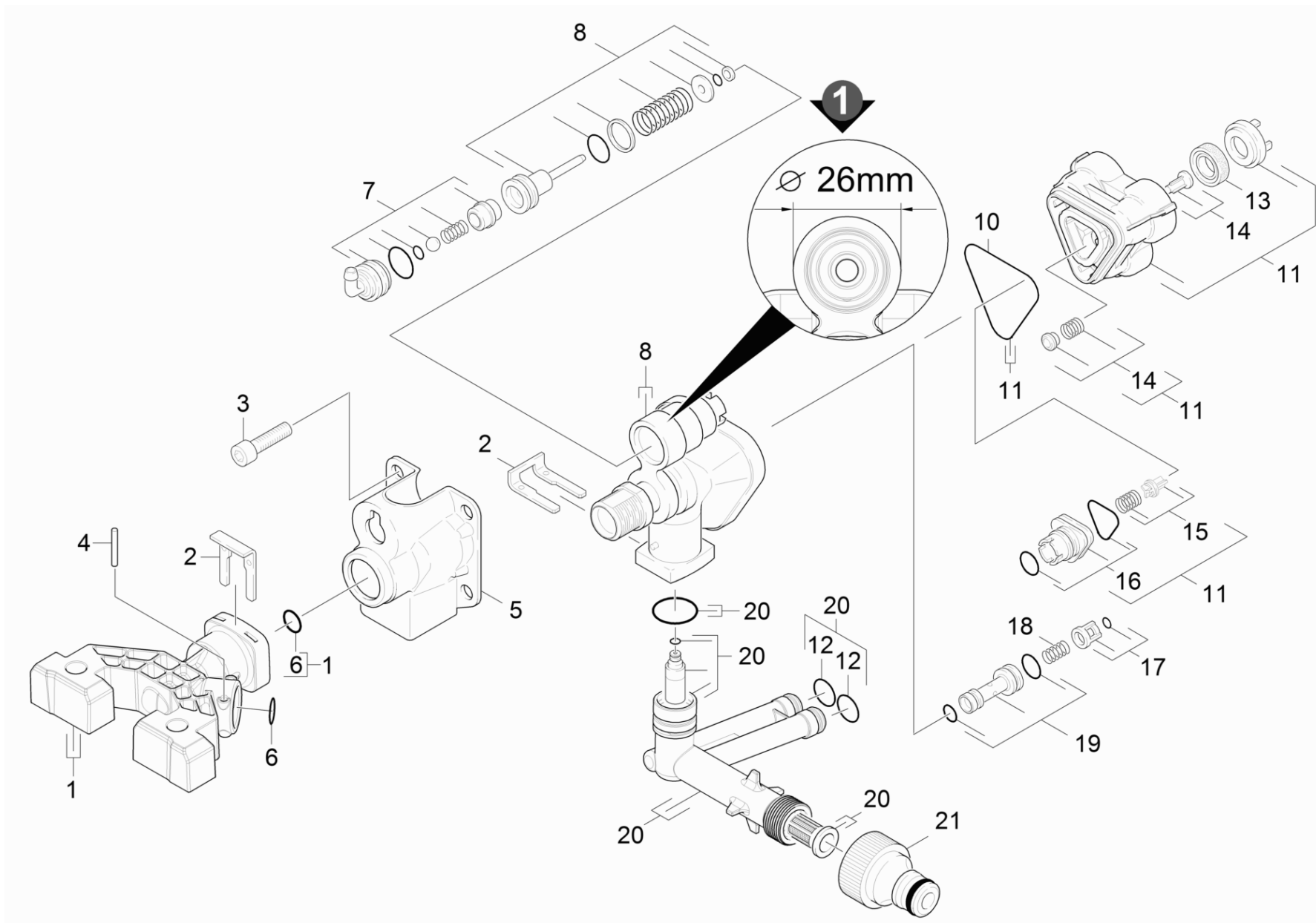


## 21 Housing

Overview technical documents/Home & Garden/High pressure cleaner cold water/Electric motor/K 4/K 4.700 \*EU (1.180-700.0)/Spare parts list K4.700 Modul Range/20 Pump set/21 Housing



## 21 Housing

Overview technical documents/Home & Garden/High pressure cleaner cold water/Electric motor/K 4/K 4.700 \*EU (1.180-700.0)/Spare parts list K4.700 Modul Range/20 Pump set/21 Housing

Rez.daļas/nodil.pakļ.daļas	Poz.	Materiāla Nr.	Nosaukums	Daudzums	Pārdoš. vienība
	3	9.086-200.0	Screw M 8x55 Class 8.8	4.000	ST
X-X	10	9.081-422.0	Veidnes blīve	1.000	ST
X-X	12	9.080-455.0	Seal 10x2,8	2.000	ST
	18	9.047-026.0	Atspere	1.000	ST
	4	9.039-370.0	Pin for HP frame	2.000	ST
	5	9.039-308.0	Cover K130	1.000	ST
	2	9.039-148.0	metal fork	2.000	ST
X-X	8	9.002-011.0	Conversion kit housing new D=22mm	1.000	ST
X	1	9.001-750.0	Connection delivery side	1.000	ST
X-X	20	9.001-748.0	Iesūkšanas puses rezerves daļu komplekts	1.000	ST
X-X	7	9.001-741.0	Korpusa kompaktais modulis, priekšējais	1.000	ST
X-X	11	9.001-693.0	Cilindra galvas rezerves daļu kompl. WCP	1.000	ST
	15	9.001-149.0	Vārstu komplekts	1.000	ST
X-X	14	9.001-110.0	Veidnes detaļa, pilns komplekts	1.000	ST
	19	9.001-108.0	Inžektors, pilns komplekts	1.000	ST
	17	9.001-107.0	Aptvere, pilns komplekts	1.000	ST
	16	9.001-106.0	Savienotājdetaļa	1.000	ST
X-X	21	6.465-031.0	connection	1.000	ST
X-X	13	6.362-875.0	Gredzens ar gropi	3.000	ST
X-X	6	6.362-151.0	Gredzenblīve 10 x 2 NBR 70	2.000	ST