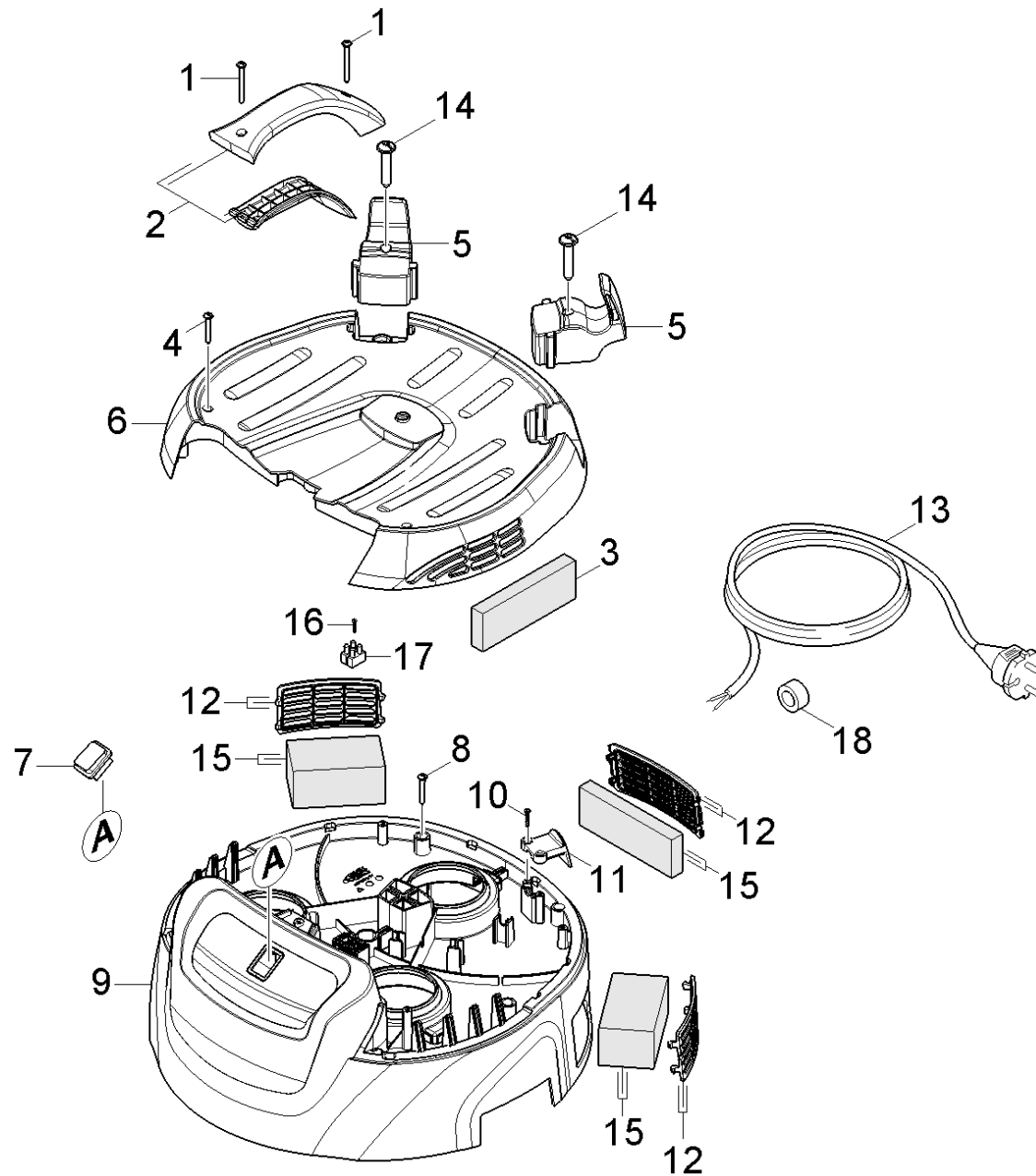


10 Cover

Professional \ Vacuum cleaner \ Wet-/dry vacuum cleaner \ NT 70/1 *EU \ Spare parts list NT 70/1 *EU \ Cover



10 Cover

Professional \ Vacuum cleaner \ Wet-/dry vacuum cleaner \ NT 70/1 *EU \ Spare parts list NT 70/1 *EU \ Cover

KÄRCHER

| POS | Article no. | Description | Quantity | Unit |
|-----|-------------|--------------------------------|----------|------|
| 1 | 7.303-111.0 | Screw 5x50 -10.9-R2R (K-In6Rd) | 2.000 | ST |
| 2 | 6.321-225.0 | Set handhold | 1.000 | ST |
| 3 | 6.414-933.0 | Set foam covering cap | 1.000 | ST |
| 4 | 7.303-110.0 | Screw 5x35 -10.9-R2R (In6Rd) | 1.000 | ST |
| 5 | 5.672-306.0 | Catch for cable | 2.000 | ST |
| 6 | 5.033-432.0 | Covering cap | 1.000 | ST |
| 7 | 6.630-468.0 | Switch on/off | 1.000 | ST |
| 8 | 7.303-086.0 | Screw 5x30 -10.9-R2R (K-In6Rd) | 7.000 | ST |
| 9 | 5.069-275.0 | Cover NT 70/1 | 1.000 | ST |
| 10 | 7.303-084.0 | Screw 4x25 -10.9-R2R (K-In6Rd) | 2.000 | ST |
| 11 | 5.033-436.0 | Strain relief | 1.000 | ST |
| 12 | 6.554-030.0 | Set grate | 1.000 | ST |
| 13 | 6.647-069.0 | Power cable 10m | 1.000 | ST |
| 15 | 6.414-911.0 | Set foam | 1.000 | ST |
| 17 | 6.643-121.0 | Strip terminal two-pole | 1.000 | ZST |
| 18 | 6.614-006.0 | Ferrite ring | 1.000 | ST |