

## 10 Power brush counter rotation BR

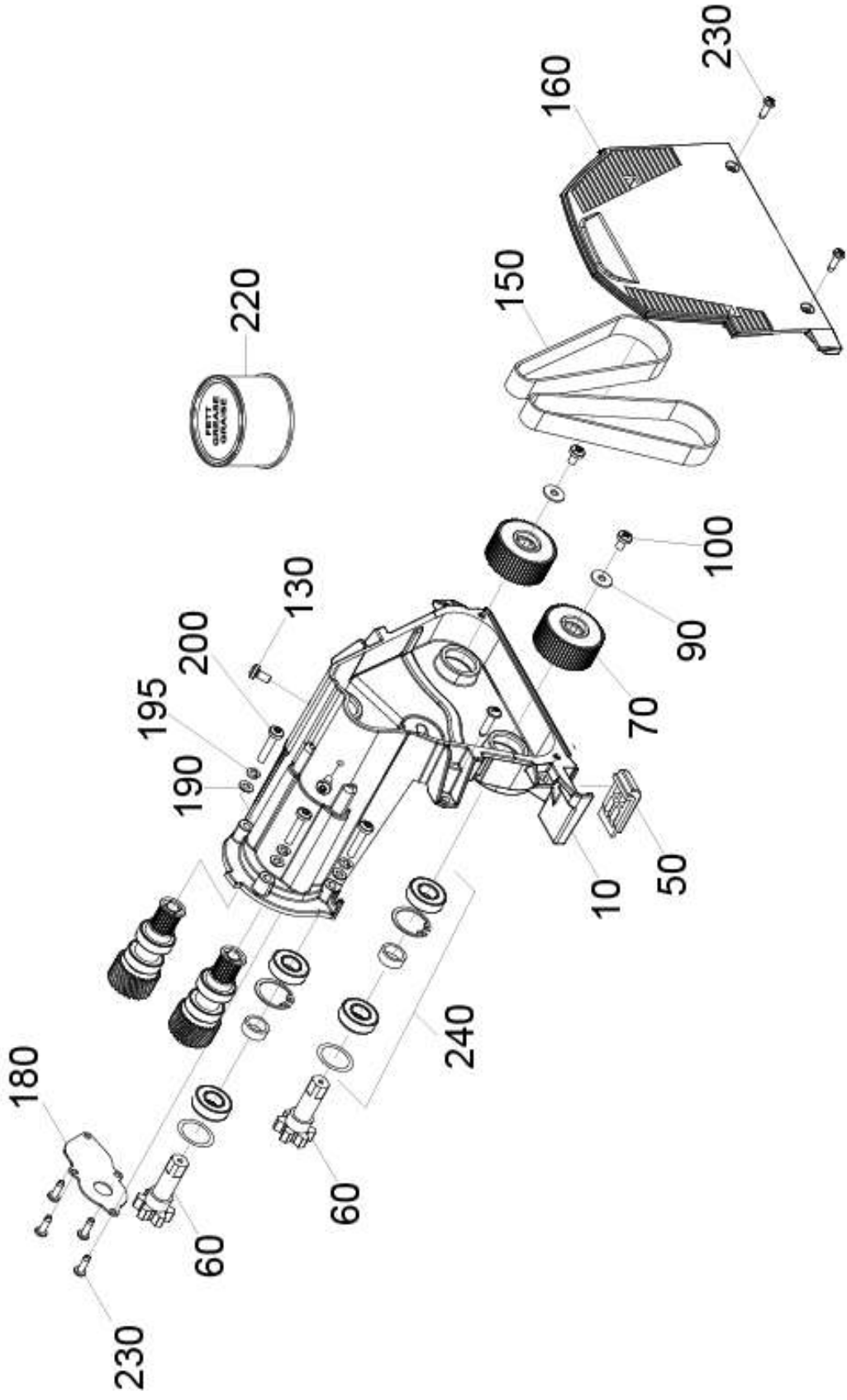
POS	Article no.	Description	Quantity	Unit	Remark	Foot note text
2	4.035-428.0	Direct current motor replacement	1	PC	Hengye/24V	
3	6.610-027.0	Blower wheel only for replacement Hengye	1	PC	Hengye	
4	6.610-026.0	Carbon brush set	1	PC	Hengye	
8	4.035-004.0	Gear complete counter rotation	1	PC		
9	5.035-403.0	Strip water distributor R 55	1	PC		
10	5.035-393.0	Brushes retainer	1	PC		
11	5.035-389.0	Housing bottom part R 55	1	PC		
12	5.035-399.0	Sweep tank R 55	1	PC		
14	5.035-447.0	Plug	1	PC		
16	5.035-458.0	Brushes locking part	1	PC		
17	5.035-405.0	Housing top part locking part	1	PC		
18	7.303-113.0	Screw 6x25 -10.9-R2R (In6Rd)	8	PC		
25	6.330-450.0	Pressure spring	1	PC		
26	4.035-428.0	Direct current motor replacement	1	PC	ATAS/24V	
27	7.312-026.0	Washer 6 -A2 ISO 7089	4	PC		
28	7.306-196.0	Screw M 6x30-A2-70 (IN6RD)	4	PC		
30	6.613-025.0	Blower wheel	1	PC	ATAS	
31	6.343-149.0	Quick-fastener	1	PC		
33	7.303-039.0	Screw M5x16 -St-P2R (In6Rd)	2	PC		
34	5.035-385.0	Cover gear	1	PC		
35	4.035-005.0	Toothed belt replacement	2	PC		
36	7.401-115.0	Ball bearing 6002-2RS -WAEZLAGST DIN 62	4	PC		
37	4.035-380.0	Shaft gear left	1	PC		
38	4.035-381.0	Shaft gear right	1	PC		
39	5.035-384.0	Carrier motor worked R	1	PC		
40	7.306-089.0	Screw M6x12 -8.8-R2R (In6Rd)	1	PC		
41	5.035-684.0	Covering cap gear	1	PC		
42	5.101-104.0	Driveshaft	2	PC		
45	5.056-010.0	Rocker BR-VS	1	PC		
46	5.625-507.0	Belt pulley 56Z	2	PC		
47	7.312-276.0	Washer 6 -200HV-A2E ISO7093-1	2	PC		
48	6.304-180.0	Screw M6X12-A2/70-ISO7045 (IN6RD)	2	PC		

## 10 Power brush counter rotation BR

POS	Article no.	Description	Quantity	Unit	Remark	Foot note text
50	6.288-095.0	Viscous oil	1	PC		
51	4.035-184.0	ROLLER BRUSH COMPLETE FOR REPLACEMENT BR	2	PC		
51	4.762-409.0	Roller brush complete white BR 55/40	2	PC		
51	4.762-410.0	Roller brush complete orange BR 55/40	2	PC		
51	4.762-411.0	Roller brush complete green BR 55/40	2	PC		
51	4.762-412.0	Roller brush complete black BR 55/40	2	PC		
52	5.035-390.0	Housing top part R 55	1	PC		
53	5.332-114.0	Helical spring	1	PC		
55	5.035-424.0	Snap-fit	2	PC		
56	5.035-448.0	Wire protecting sleeve	1	PC		
57	6.648-064.0	Cable bushing	1	PC		
58	5.035-386.0	Cover electric box	1	PC		
59	5.035-604.0	Suspension seal brush-head BD	1	PC		
60	7.303-038.0	Screw M5x12 -St-P2R (In6Rd)	2	PC		
62	6.646-034.0	Set plug complete rot, 75A , Q-6mm <sup>2</sup>	1	PC		
63	6.646-033.0	Set plug complete blau , 75A , Q-6mm <sup>2</sup>	1	PC		
65	6.390-892.0	Spiral hose NW12	1	m		TO ORDER AS CUT GOODS
66	2.645-191.0	Hose coupling entry Universal	1	PC		
67	5.035-782.0	Suspension brush-head R	1	PC		VERSION 2
68	7.303-112.0	Screw 6x20 -10.9-R2R (In6Rd)	3	PC		VERSION 2
69	5.035-673.0	Sliding shoe	1	PC		VERSION 2
70	6.343-261.0	Quick-fastener	1	PC		VERSION 2
71	2.882-737.0	Conversion kit R55-Kopf B40	1	PC	R55	VERSION 1
72	7.303-038.0	Screw M5x12 -St-P2R (In6Rd)	4	PC		
73	4.035-610.0	Set deflector roll	1	PC		
74	4.035-611.0	Set transmission power brush	2	PC		

2 Direct current motor replacement (4.035-428.0)

POS	Article no.	Description	Quantity	Unit
10	6.610-026.0	Carbon brush set	1	PC
20	6.610-027.0	Blower wheel only for replacement Hengye	1	PC

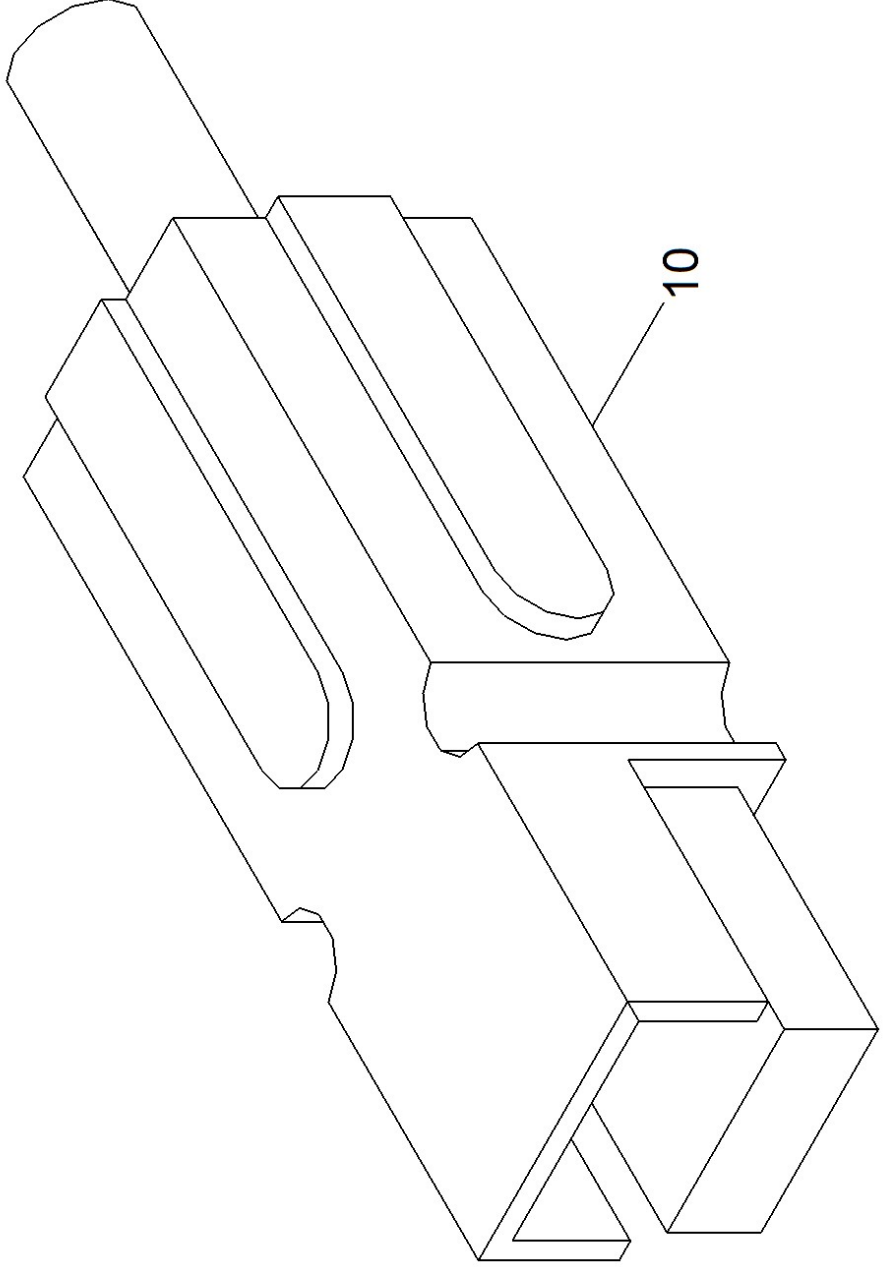
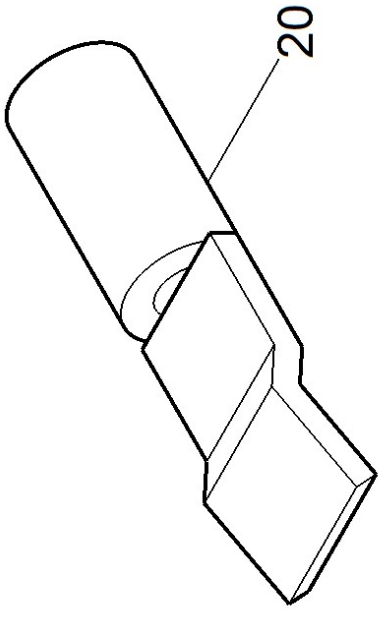


## 8 Gear complete counter rotation (4.035-004.0)

POS	Article no.	Description	Quantity	Unit
10	5.035-384.0	Carrier motor worked R	1	PC
50	5.056-010.0	Rocker BR-VS	1	PC
60	5.101-104.0	Driveshaft	2	PC
70	5.625-507.0	Belt pulley 56Z	2	PC
90	7.312-276.0	Washer 6 -200HV-A2E ISO7093-1	2	PC
100	6.304-180.0	Screw M6X12-A2/70-ISO7045 (IN6RD)	2	PC
120	4.035-381.0	Shaft gear right	1	PC
130	7.306-089.0	Screw M6x12 -8.8-R2R (In6Rd)	2	PC
140	4.035-380.0	Shaft gear left	1	PC
150	4.035-005.0	Toothed belt replacement	2	PC
160	5.035-385.0	Cover gear	1	PC
180	5.035-684.0	Covering cap gear	1	PC
190	7.312-026.0	Washer 6 -A2 ISO 7089	4	PC
195	7.313-003.0	Spring washer B 6-FSt-A3E DIN 127	4	PC
200	7.306-196.0	Screw M 6x30-A2-70 (IN6RD)	4	PC
220	6.288-095.0	Viscous oil	1	PC
230	7.303-038.0	Screw M5x12 -St-P2R (In6Rd)	6	PC
240	4.035-611.0	Set transmission power brush	2	PC

26 Direct current motor replacement (4.035-428.0)

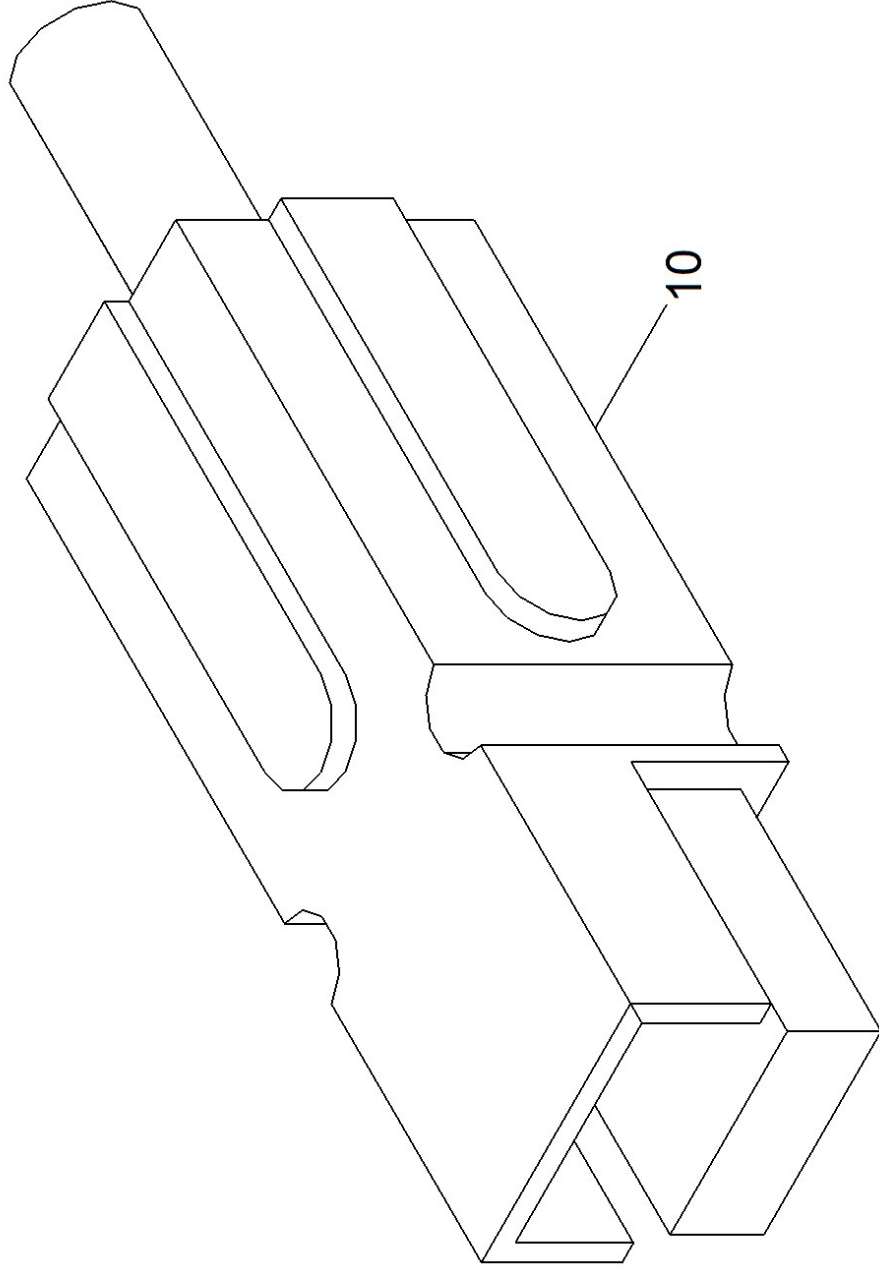
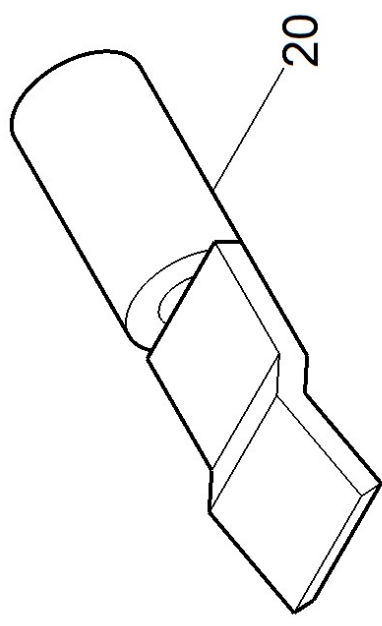
POS	Article no.	Description	Quantity	Unit
10	6.610-026.0	Carbon brush set	1	PC
20	6.610-027.0	Blower wheel only for replacement Hengye	1	PC





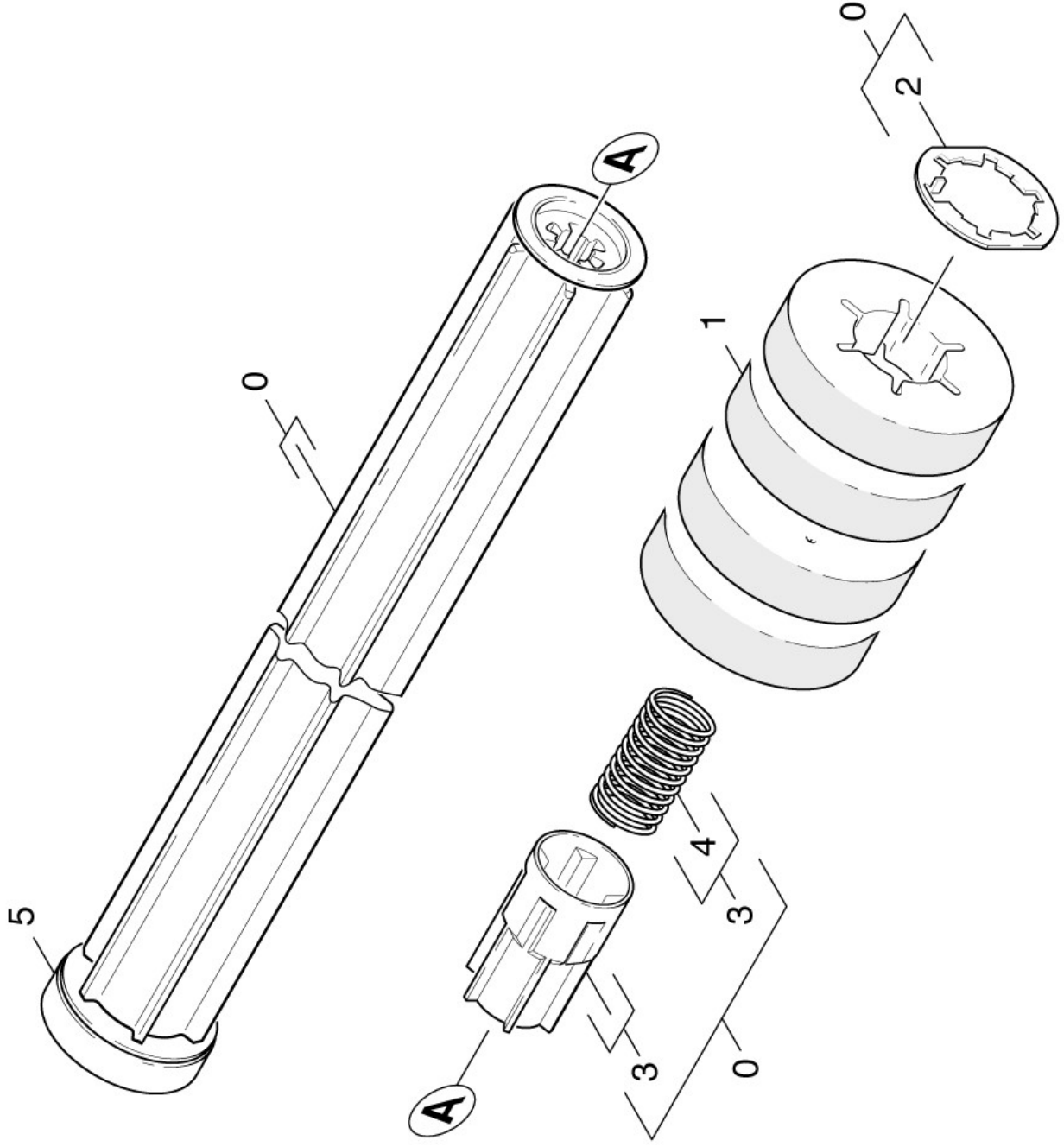
62 Set plug complete rot, 75A , Q-6mm<sup>2</sup> (6.646-034.0)

POS	Article no.	Description	Quantity	Unit
10	6.643-043.0	Plug housing red 75 A	1	PC
20	6.646-979.0	Switch contact 6 mm <sup>2</sup>	1	PC



63 Set plug complete blau , 75A , Q-6mm<sup>2</sup> (6.646-033.0)

POS	Article no.	Description	Quantity	Unit
10	6.643-045.0	Plug housing blue 75 A	1	PC
20	6.646-979.0	Switch contact 6 mm <sup>2</sup>	1	PC



20 Roll pad

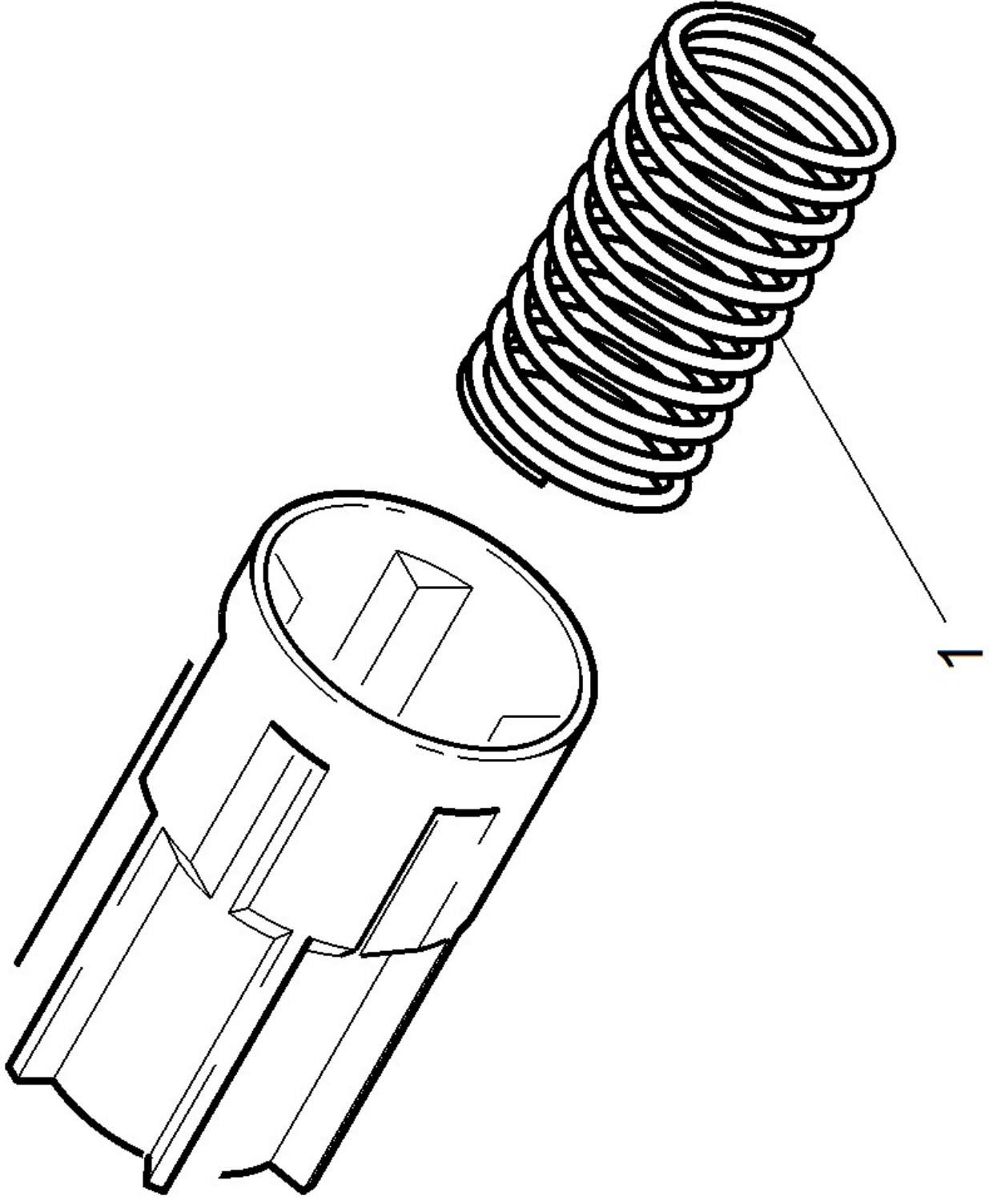
POS	Article no.	Description	Quantity	Unit
0	4.762-415.0	Roll Pad BR55	1	PC
0	9.753-054.0	Pad disk complete D51	1	PC
1	6.369-734.0	Pad red with sleeve	1	ZSA
1	9.302-688.0	PAD GREEN DIAM.96mm (SET 25 UNIT)	2	PC
1	8.635-692.0	ROLLER, STRIPPING, 22" CYLINDRICAL	1	PC
1	6.371-247.0	Diamond pad yellow set 5x Ø280	1	PC
1	6.371-246.0	Diamond pad white set 5x Ø280	1	PC
1	6.371-233.0	Diamond pad green set 5x Ø280	1	PC
1	6.369-735.0	Pad white with sleeve	1	ZSA
1	6.369-733.0	Pad green with sleeve	1	ZSA
1	6.369-732.0	Pad yellow with sleeve	1	ZSA
1	6.369-456.0	Pad red 105-20ST	1	ZSA
1	6.369-455.0	Pad green 105-20ST	1	ZSA
1	6.369-454.0	Pad yellow 105-20ST	1	ZSA
1	4.114-010.0	Micro-fibre roll complete BR 55/40	1	PC
1	4.114-005.0	Micro-fibre roll complete BR 55	1	PC
2	4.115-003.0	Washer closure	1	PC
3	5.120-313.0	Hub pad roll BR VS	1	PC
4	5.332-469.0	Helical spring	1	PC
5	4.038-677.0	Sheet metal component thread deflector	1	PC

1 PAD GREEN DIAM.96mm (SET 25 UNIT) (9.302-688.0)

POS	Article no.	Description	Quantity	Unit
1	9.380-066.0	PAD - GREEN DIAM.96mm	25	PC
3		PLASTIC BAG 276 x 450 PE	1	PC

1 PAD - GREEN DIAM.96mm (9.380-066.0)

POS	Article no.	Description	Quantity	Unit
1	9.397-012.0	GREEN PU FOR PAD 220MM	55,555	ZST



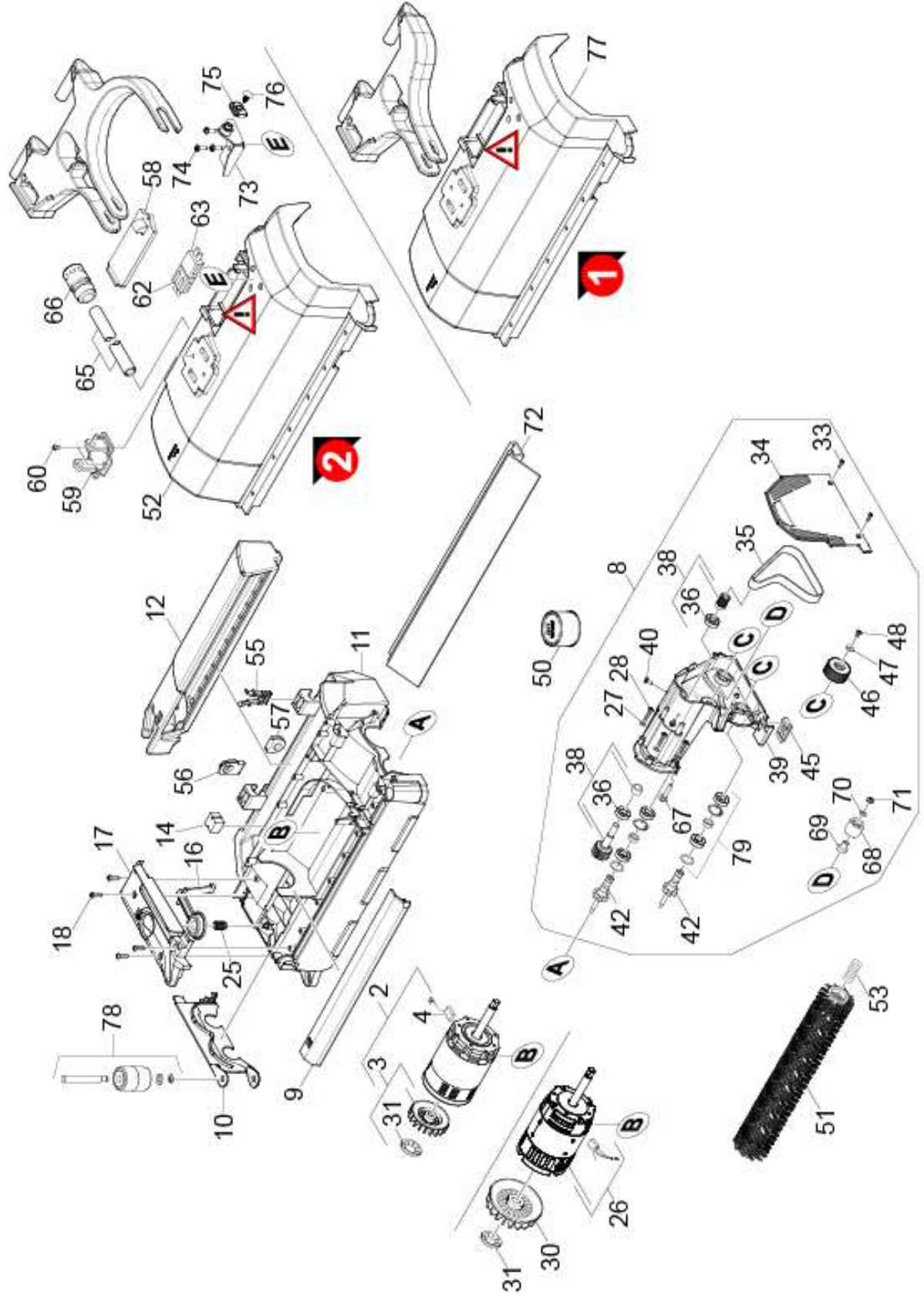


3 Hub pad roll BR VS (5.120-313.0)

POS	Article no.	Description	Quantity	Unit
1	5.332-469.0	Helical spring	1	PC

1010 Brush-head R 55 C (2.763-013.7)

POS	Article no.	Description	Quantity	Unit
10		Power brush synchronous run BR	1	PC
20		Roll pad	1	PC
30	4.036-075.0	Conversion kit D51/R55C B60 Bp	1	PC



## 10 Power brush synchronous run BR

POS	Article no.	Description	Quantity	Unit	Remark	Foot note text
2	4.035-428.0	Direct current motor replacement	1	PC	Hengye/24V	
3	6.610-027.0	Blower wheel only for replacement Hengye	1	PC	Hengye	
4	6.610-026.0	Carbon brush set	1	PC	Hengye	
8	4.035-502.0	Gear complete synchronous run	1	PC		
9	5.035-403.0	Strip water distributor R 55	1	PC		
10	5.035-393.0	Brushes retainer	1	PC		
11	5.035-389.0	Housing bottom part R 55	1	PC		
12	5.035-399.0	Sweep tank R 55	1	PC		
14	5.035-447.0	Plug	1	PC		
16	5.035-458.0	Brushes locking part	1	PC		
17	5.035-405.0	Housing top part locking part	1	PC		
18	7.303-113.0	Screw 6x25 -10.9-R2R (In6Rd)	8	PC		
25	6.330-450.0	Pressure spring	1	PC		
26	4.035-428.0	Direct current motor replacement	1	PC	ATAS/24V	
27	7.312-026.0	Washer 6 -A2 ISO 7089	4	PC		
28	7.306-196.0	Screw M 6x30-A2-70 (IN6RD)	4	PC		
30	6.613-025.0	Blower wheel	1	PC	ATAS	
31	6.343-149.0	Quick-fastener	1	PC		
33	7.303-038.0	Screw M5x12 -St-P2R (In6Rd)	2	PC		
34	5.035-385.0	Cover gear	1	PC		
35	4.035-425.0	Toothed belt replacement	1	PC		
36	7.401-115.0	Ball bearing 6002-2RS -WAE LZLAGST DIN 62	2	PC		
38	4.035-423.0	Shaft replacement synchronous run	1	PC		
39	5.035-384.0	Carrier motor worked R	1	PC		
40	7.306-089.0	Screw M6x12 -8.8-R2R (In6Rd)	1	PC		
42	5.101-104.0	Driveshaft	2	PC		
45	5.056-010.0	Rocker BR-VS	1	PC		
46	5.625-507.0	Belt pulley 56Z	2	PC		
47	7.312-276.0	Washer 6 -200HV-A2E ISO7093-1	2	PC		
48	6.304-180.0	Screw M6X12-A2/70-ISO7045 (IN6RD)	2	PC		
50	6.288-095.0	Viscous oil	1	PC		
51	4.035-184.0	ROLLER BRUSH COMPLETE FOR	2	PC		

## 10 Power brush synchronous run BR

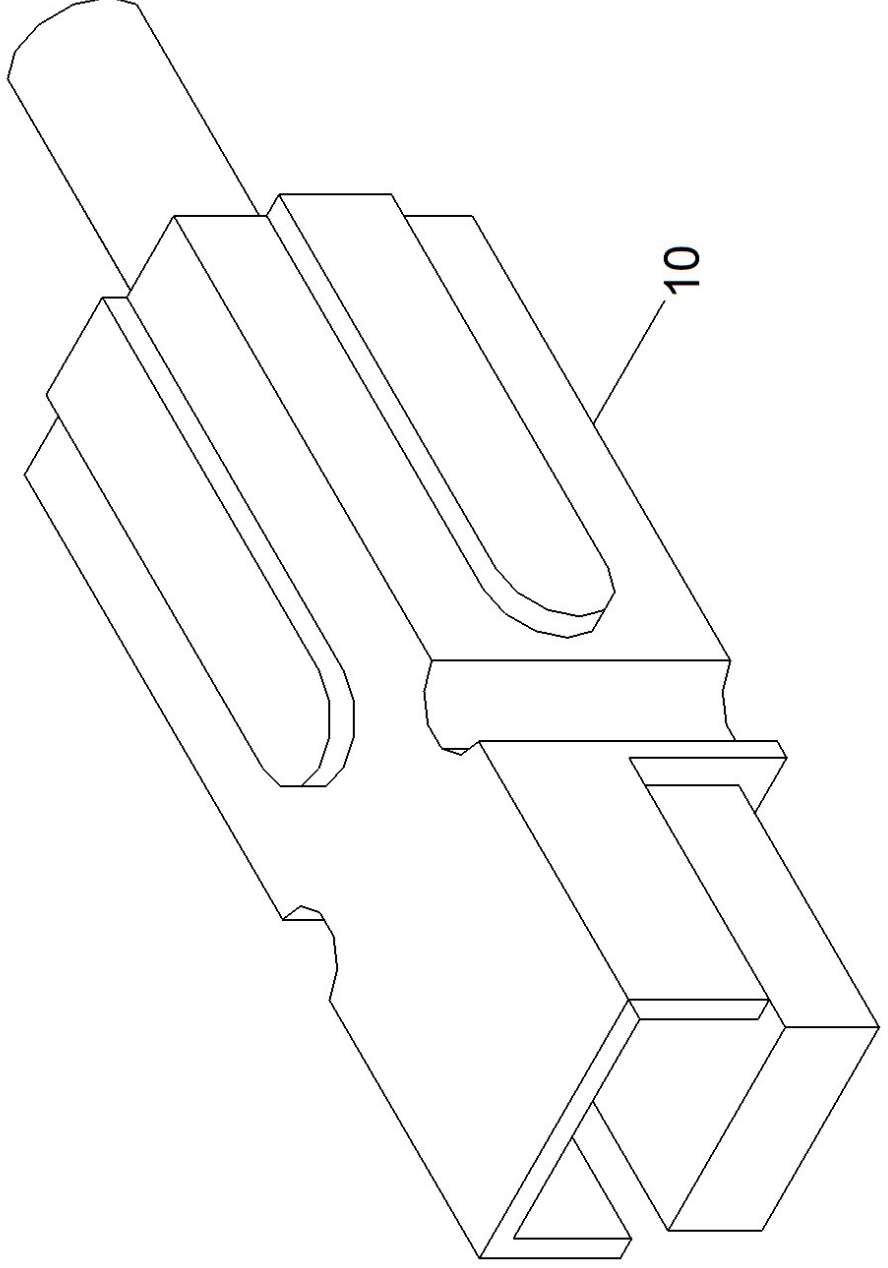
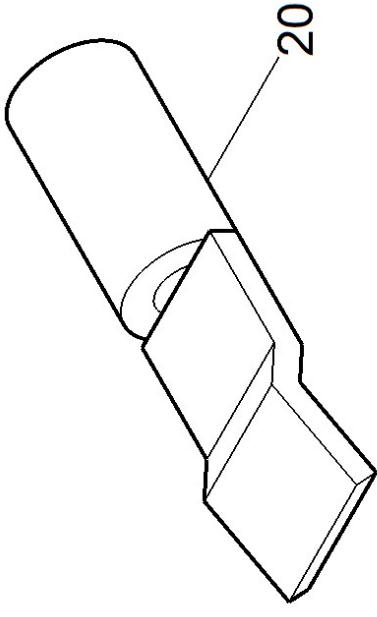
POS	Article no.	Description	Quantity	Unit	Remark	Foot note text
		REPLACEMENT BR				
51	4.762-409.0	Roller brush complete white BR 55/40	2	PC		
51	4.762-410.0	Roller brush complete orange BR 55/40	2	PC		
51	4.762-411.0	Roller brush complete green BR 55/40	2	PC		
51	4.762-412.0	Roller brush complete black BR 55/40	2	PC		
52	5.035-390.0	Housing top part R 55	1	PC		
53	5.332-114.0	Helical spring	1	PC		
55	5.035-424.0	Snap-fit	2	PC		
56	5.035-448.0	Wire protecting sleeve	1	PC		
57	6.648-064.0	Cable bushing	1	PC		
58	5.035-386.0	Cover electric box	1	PC		
59	5.035-604.0	Suspension seal brush-head BD	1	PC		
60	7.303-038.0	Screw M5x12 -St-P2R (In6Rd)	2	PC		
62	6.646-034.0	Set plug complete rot, 75A , Q-6mm²	1	PC		
63	6.646-033.0	Set plug complete blau , 75A , Q-6mm²	1	PC		
65	6.390-892.0	Spiral hose NW12	1	m		TO ORDER AS CUT GOODS
66	2.645-191.0	Hose coupling entry Universal	1	PC		
67	7.303-186.0	Saucer-head screw M8x40 -St-A0P DIN 603	1	PC		
68	4.250-083.0	Tension roller D = 33,5	1	PC		
69	5.110-700.0	Sleeve	1	PC		
70	7.312-017.0	Washer 8-A2 ISO 7089	1	PC		
71	7.311-427.0	Hexagon nut M8 -04-A2E DIN 985	1	PC		
72	5.035-401.0	Rubberlip synchronous run R 55	1	PC		
73	5.035-782.0	Suspension brush-head R	1	PC		VERSION 2
74	7.303-112.0	Screw 6x20 -10.9-R2R (In6Rd)	3	PC		VERSION 2
75	5.035-673.0	Sliding shoe	1	PC		VERSION 2
76	6.343-261.0	Quick-fastener	1	PC		VERSION 2
77	2.882-737.0	Conversion kit R55-Kopf B40	1	PC	R55	VERSION 1
78	4.035-610.0	Set deflector roll	1	PC		
79	4.035-611.0	Set transmission power brush	2	PC		

2 Direct current motor replacement (4.035-428.0)

POS	Article no.	Description	Quantity	Unit
10	6.610-026.0	Carbon brush set	1	PC
20	6.610-027.0	Blower wheel only for replacement Hengye	1	PC

26 Direct current motor replacement (4.035-428.0)

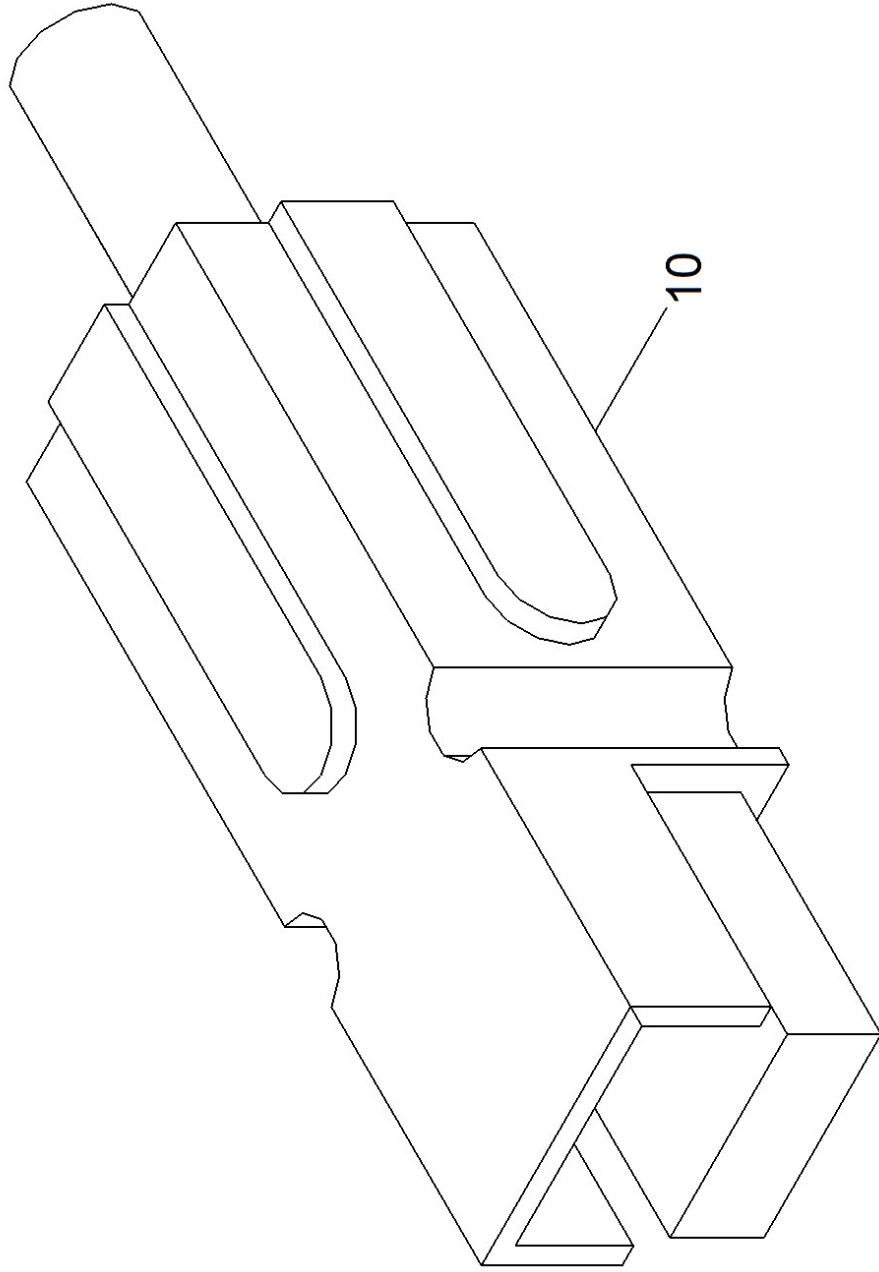
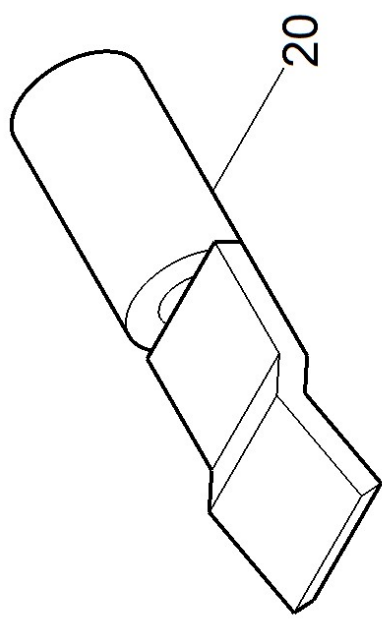
POS	Article no.	Description	Quantity	Unit
10	6.610-026.0	Carbon brush set	1	PC
20	6.610-027.0	Blower wheel only for replacement Hengye	1	PC





62 Set plug complete rot, 75A , Q-6mm<sup>2</sup> (6.646-034.0)

POS	Article no.	Description	Quantity	Unit
10	6.643-043.0	Plug housing red 75 A	1	PC
20	6.646-979.0	Switch contact 6 mm <sup>2</sup>	1	PC

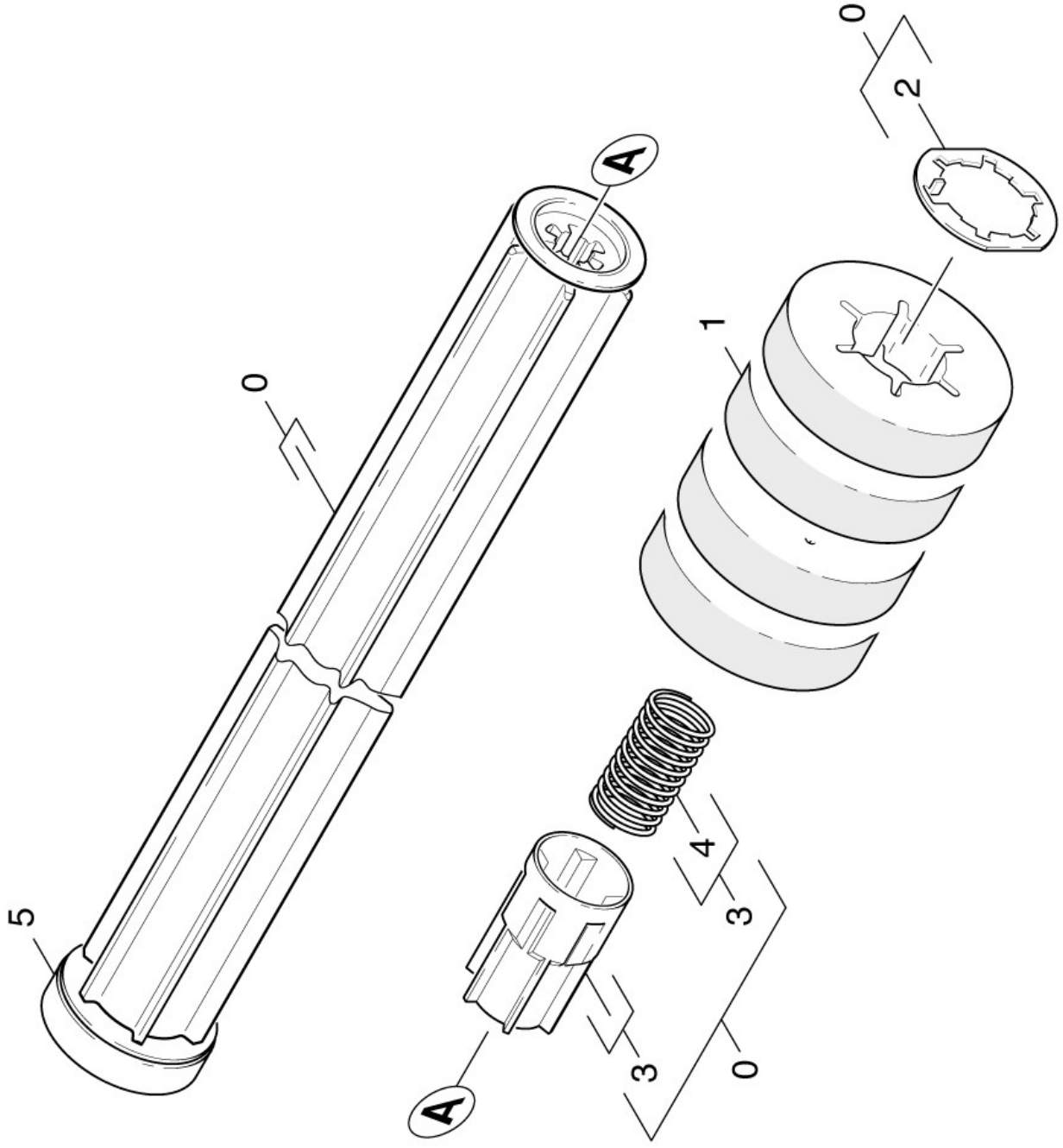


63 Set plug complete blau , 75A , Q-6mm<sup>2</sup> (6.646-033.0)

POS	Article no.	Description	Quantity	Unit
10	6.643-045.0	Plug housing blue 75 A	1	PC
20	6.646-979.0	Switch contact 6 mm <sup>2</sup>	1	PC

68 Tension roller D = 33,5 (4.250-083.0)

POS	Article no.	Description	Quantity	Unit
10	6.401-363.0	Ball bearing	2	PC



20 Roll pad

POS	Article no.	Description	Quantity	Unit
0	4.762-415.0	Roll Pad BR55	1	PC
0	9.753-054.0	Pad disk complete D51	1	PC
1	6.369-734.0	Pad red with sleeve	1	ZSA
1	9.302-688.0	PAD GREEN DIAM.96mm (SET 25 UNIT)	2	PC
1	8.635-692.0	ROLLER, STRIPPING, 22" CYLINDRICAL	1	PC
1	6.371-247.0	Diamond pad yellow set 5x Ø280	1	PC
1	6.371-246.0	Diamond pad white set 5x Ø280	1	PC
1	6.371-233.0	Diamond pad green set 5x Ø280	1	PC
1	6.369-735.0	Pad white with sleeve	1	ZSA
1	6.369-733.0	Pad green with sleeve	1	ZSA
1	6.369-732.0	Pad yellow with sleeve	1	ZSA
1	6.369-456.0	Pad red 105-20ST	1	ZSA
1	6.369-455.0	Pad green 105-20ST	1	ZSA
1	6.369-454.0	Pad yellow 105-20ST	1	ZSA
1	4.114-010.0	Micro-fibre roll complete BR 55/40	1	PC
1	4.114-005.0	Micro-fibre roll complete BR 55	1	PC
2	4.115-003.0	Washer closure	1	PC
3	5.120-313.0	Hub pad roll BR VS	1	PC
4	5.332-469.0	Helical spring	1	PC
5	4.038-677.0	Sheet metal component thread deflector	1	PC

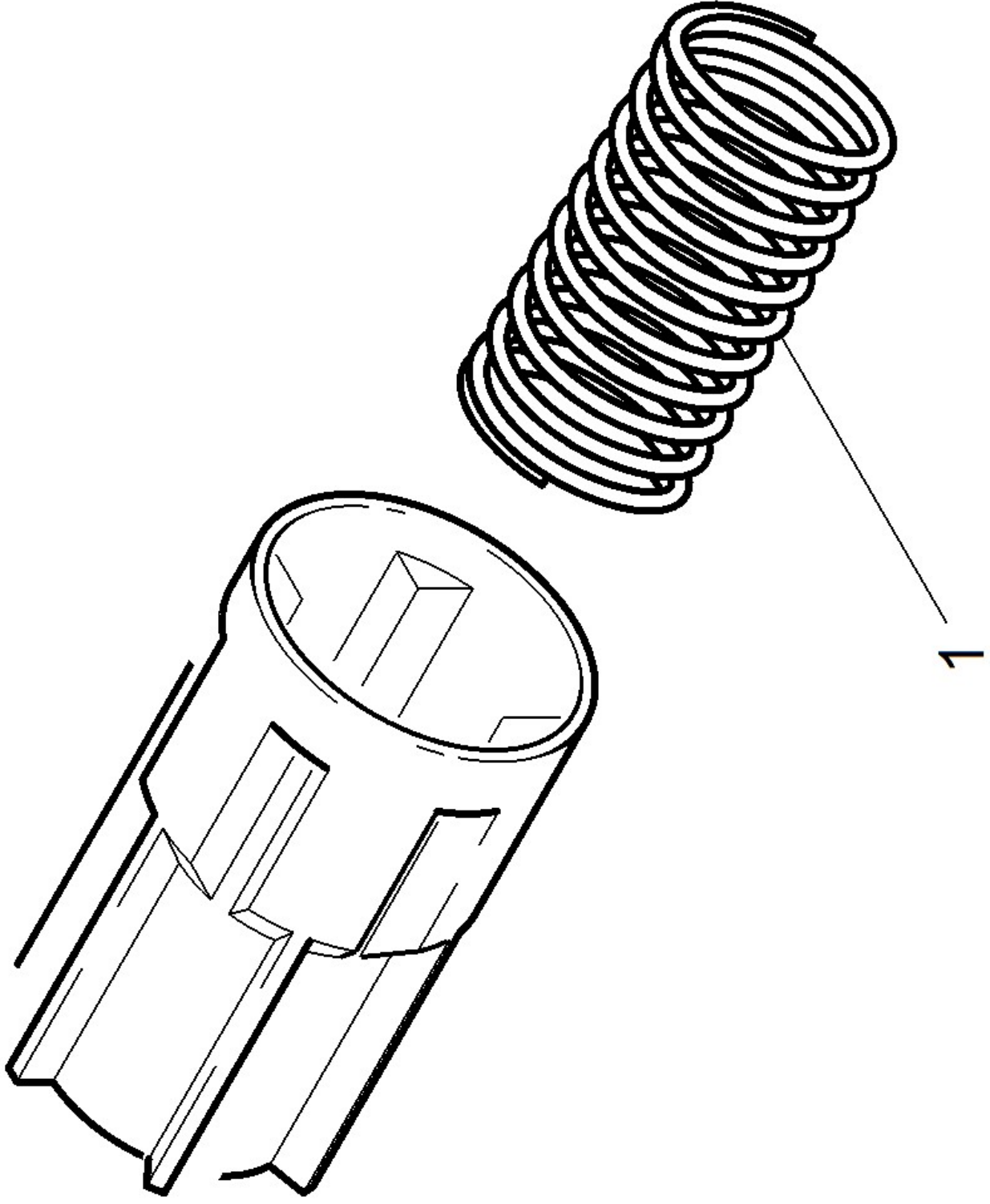
1 PAD GREEN DIAM.96mm (SET 25 UNIT) (9.302-688.0)

POS	Article no.	Description	Quantity	Unit
1	9.380-066.0	PAD - GREEN DIAM.96mm	25	PC
3		PLASTIC BAG 276 x 450 PE	1	PC

1 PAD - GREEN DIAM.96mm (9.380-066.0)

POS	Article no.	Description	Quantity	Unit
1	9.397-012.0	GREEN PU FOR PAD 220MM	55,555	ZST





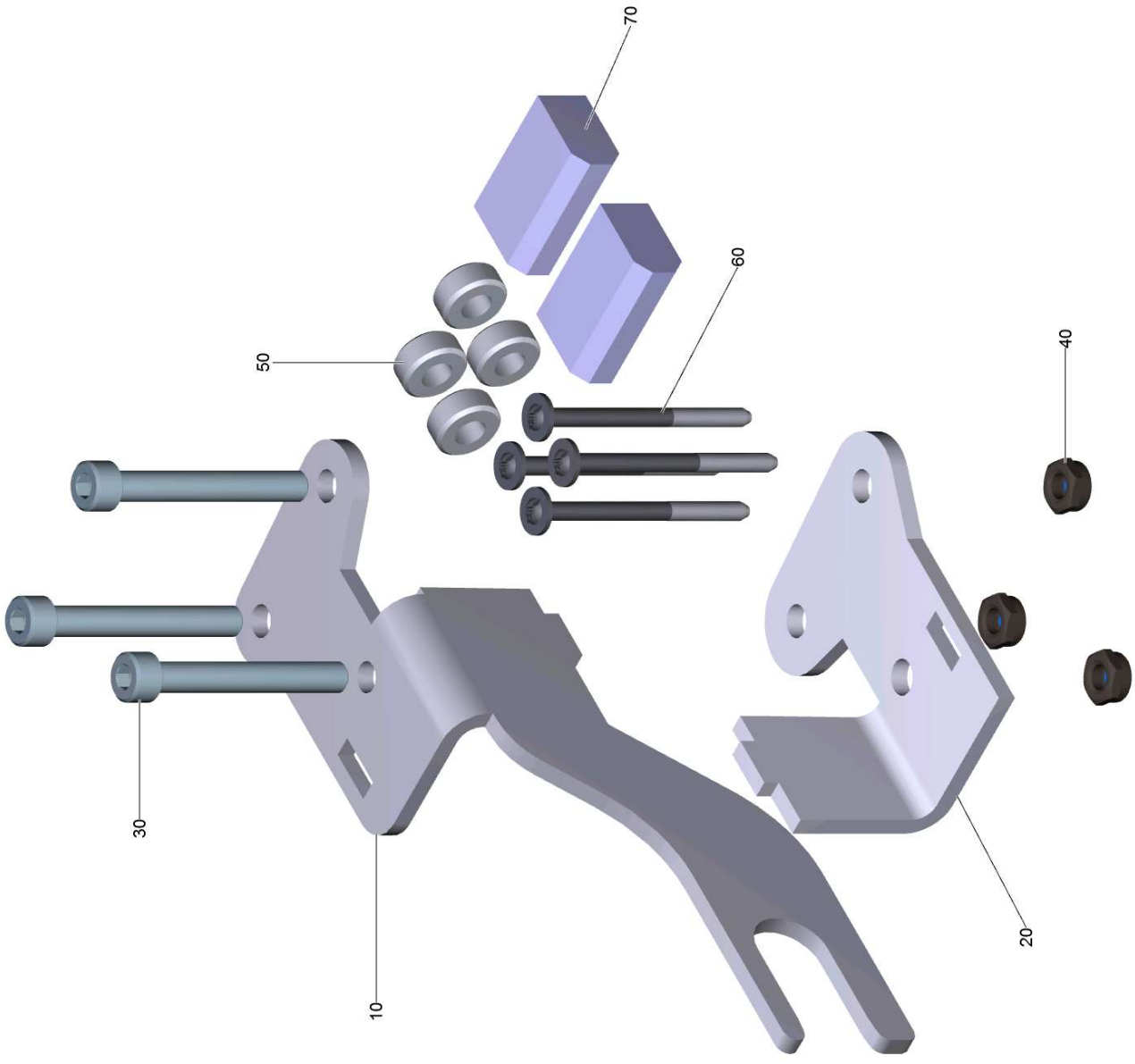
3 Hub pad roll BR VS (5.120-313.0)

POS	Article no.	Description	Quantity	Unit
1	5.332-469.0	Helical spring	1	PC



30 Conversion kit D51/R55C B60 Bp (4.036-075.0)

POS	Description	Quantity	Unit
10	Conversion kit D51/R55C B60Bp	1	PC



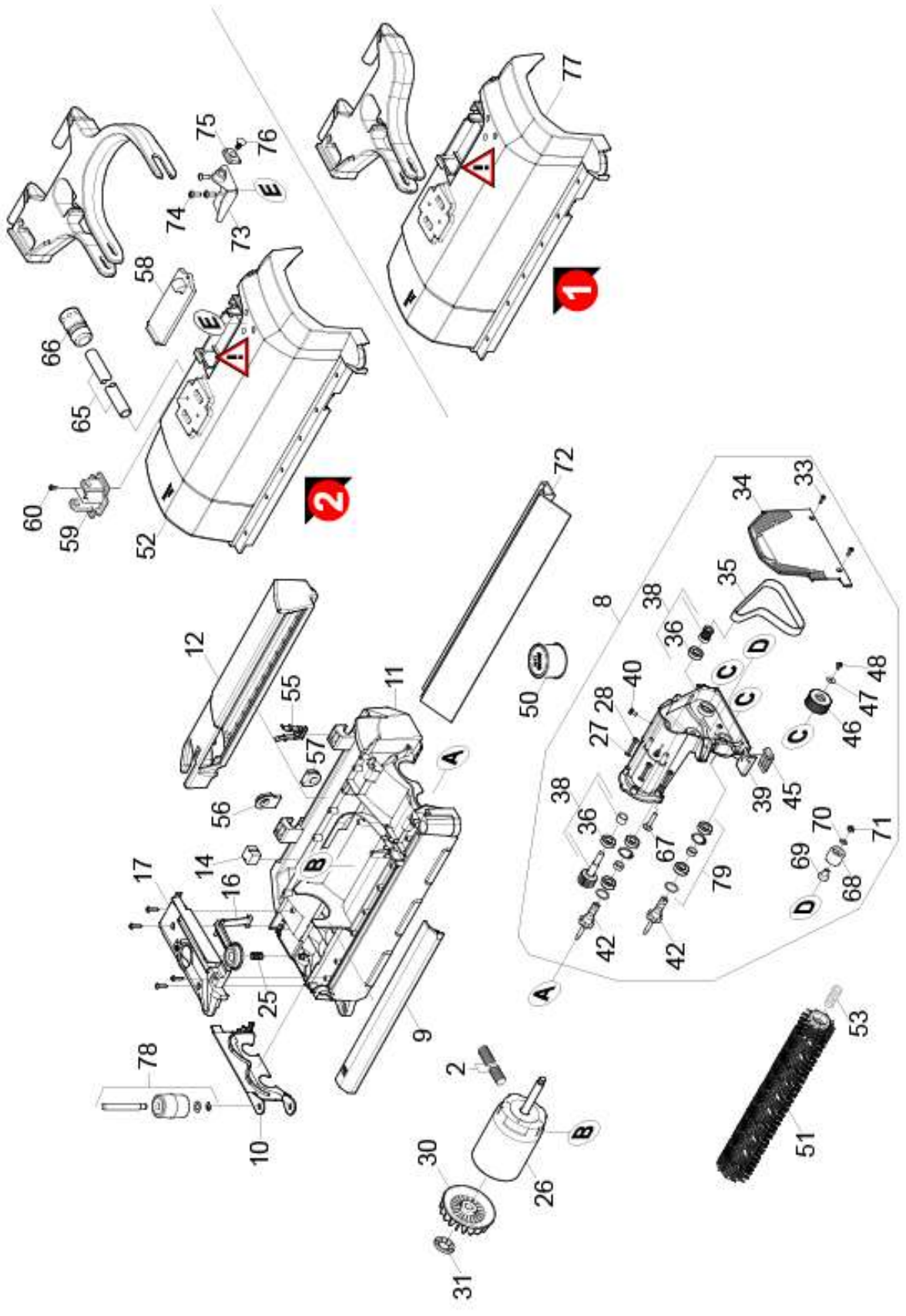
## 10 Conversion kit D51/R55C B60Bp

POS	Article no.	Description	Quantity	Unit
10	5.035-776.0	Sheet metal bracket brush-head EP	1	PC
20	5.035-777.0	Sheet steel angle brush-head EP	1	PC
30	7.306-047.0	Cylinder head screw M8x60 -8.8-A2E ISO4	3	PC
40	7.311-427.0	Hexagon nut M8 -04-A2E DIN 985	3	PC
60	7.303-275.0	Screw 8x50-10.9-A3E (In6Rd)	4	PC
70	5.035-809.0	Pad B60 EP	2	PC

1020 Brush-head R 55 Ep 230V

---

POS	Description	Quantity	Unit
10	Power brush synchronous run BR	1	PC
20	Roll pad	1	PC





10 Power brush synchronous run BR

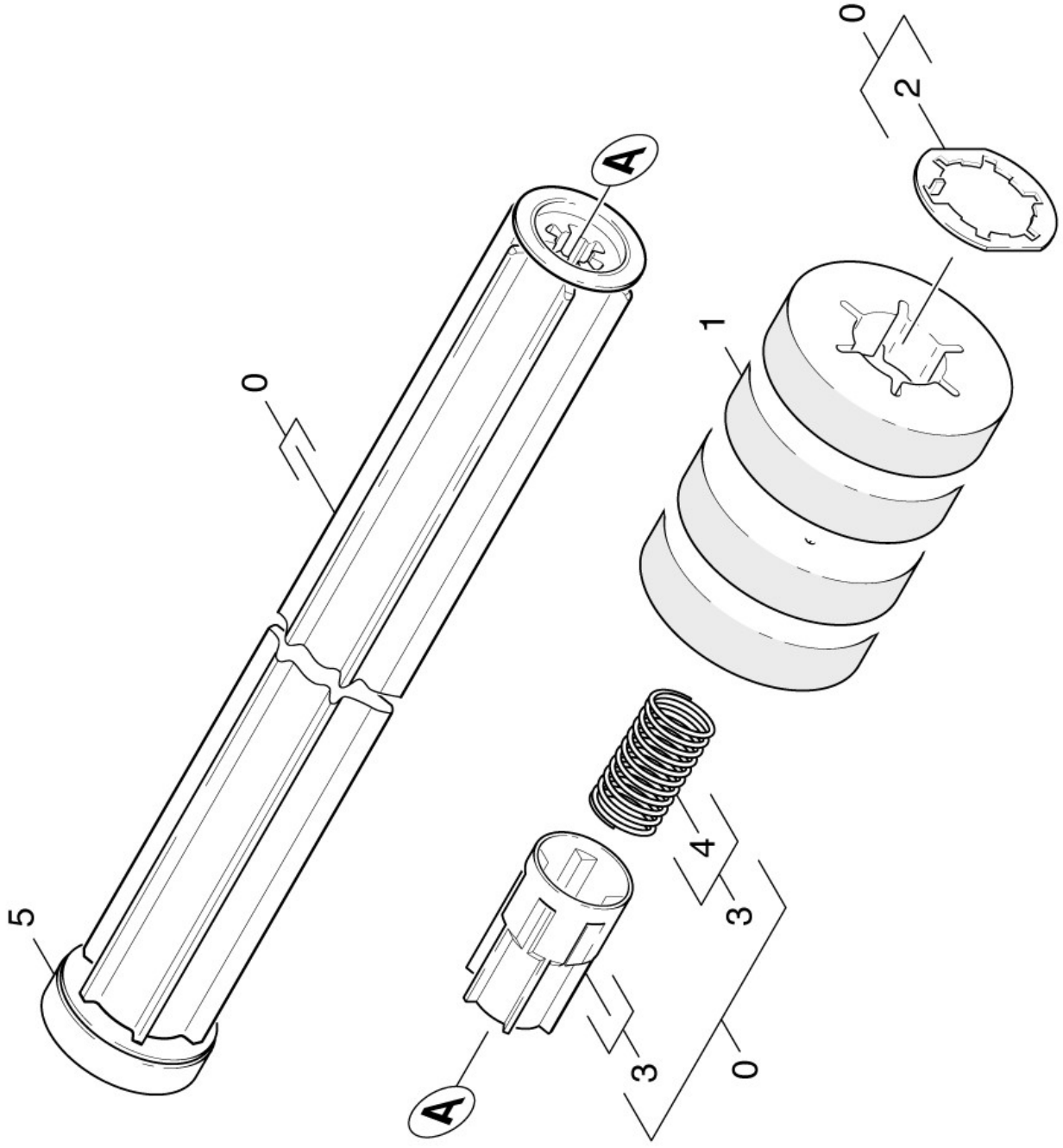
POS	Article no.	Description	Quantity	Unit	Remark	Foot note text
2	6.435-873.0	Piece of tube	1	PC		
8	4.035-502.0	Gear complete synchronous run	1	PC		
9	5.035-403.0	Strip water distributor R 55	1	PC		
10	5.035-393.0	Brushes retainer	1	PC		
11	5.035-389.0	Housing bottom part R 55	1	PC		
12	5.035-399.0	Sweep tank R 55	1	PC		
14	5.035-447.0	Plug	1	PC		
16	5.035-458.0	Brushes locking part	1	PC		
17	5.035-405.0	Housing top part locking part	1	PC		
18	7.303-113.0	Screw 6x25 -10.9-R2R (In6Rd)	8	PC		
25	6.330-450.0	Pressure spring	1	PC		
26	4.035-417.0	Motor replacement	1	PC	230 V	
27	7.312-026.0	Washer 6 -A2 ISO 7089	4	PC		
28	7.306-196.0	Screw M 6x30-A2-70 (IN6RD)	4	PC		
30	6.612-764.0	Blower wheel	1	PC		
31	6.343-149.0	Quick-fastener	1	PC		
33	7.303-038.0	Screw M5x12 -St-P2R (In6Rd)	2	PC		
34	5.035-385.0	Cover gear	1	PC		
35	4.035-425.0	Toothed belt replacement	1	PC		
36	7.401-115.0	Ball bearing 6002-2RS -WAEZLAGST DIN 62	2	PC		
38	4.035-423.0	Shaft replacement synchronous run	1	PC		
39	5.035-384.0	Carrier motor worked R	1	PC		
40	7.306-089.0	Screw M6x12 -8.8-R2R (In6Rd)	1	PC		
42	5.101-104.0	Driveshaft	2	PC		
45	5.056-010.0	Rocker BR-VS	1	PC		
46	5.625-507.0	Belt pulley 56Z	2	PC		
47	7.312-276.0	Washer 6 -200HV-A2E ISO7093-1	2	PC		
48	6.304-180.0	Screw M6X12-A2/70-ISO7045 (IN6RD)	2	PC		
50	6.288-095.0	Viscous oil	1	PC		
51	4.035-184.0	ROLLER BRUSH COMPLETE FOR REPLACEMENT BR	2	PC		
51	4.762-409.0	Roller brush complete white BR 55/40	2	PC		
51	4.762-410.0	Roller brush complete orange BR	2	PC		

10 Power brush synchronous run BR

POS	Article no.	Description	Quantity	Unit	Remark	Foot note text
		55/40				
51	4.762-411.0	Roller brush complete green BR 55/40	2	PC		
51	4.762-412.0	Roller brush complete black BR 55/40	2	PC		
52	5.035-390.0	Housing top part R 55	1	PC		
53	5.332-114.0	Helical spring	1	PC		
55	5.035-424.0	Snap-fit	2	PC		
56	5.035-448.0	Wire protecting sleeve	1	PC		
57	6.648-064.0	Cable bushing	1	PC		
58	5.035-386.0	Cover electric box	1	PC		
59	5.035-604.0	Suspension seal brush-head BD	1	PC		
60	7.303-038.0	Screw M5x12 -St-P2R (In6Rd)	2	PC		
65	6.390-892.0	Spiral hose NW12	1	m		TO ORDER AS CUT GOODS
66	2.645-191.0	Hose coupling entry Universal	1	PC		
67	7.303-186.0	Saucer-head screw M8x40 -St-A0P DIN 603	1	PC		
68	4.250-083.0	Tension roller D = 33,5	1	PC		
69	5.110-700.0	Sleeve	1	PC		
70	7.312-017.0	Washer 8-A2 ISO 7089	1	PC		
71	7.311-427.0	Hexagon nut M8 -04-AZE DIN 985	1	PC		
72	5.035-401.0	Rubberlip synchronous run R 55	1	PC		
73	5.035-782.0	Suspension brush-head R	1	PC		VERSION 2
74	7.303-112.0	Screw 6x20 -10.9-R2R (In6Rd)	3	PC		VERSION 2
75	5.035-673.0	Sliding shoe	1	PC		VERSION 2
76	6.343-261.0	Quick-fastener	1	PC		VERSION 2
77	2.882-737.0	Conversion kit R55-Kopf B40	1	PC	R55	VERSION 1
78	4.035-610.0	Set deflector roll	1	PC		
79	4.035-611.0	Set transmission power brush	2	PC		

68 Tension roller D = 33,5 (4.250-083.0)

POS	Article no.	Description	Quantity	Unit
10	6.401-363.0	Ball bearing	2	PC



20 Roll pad

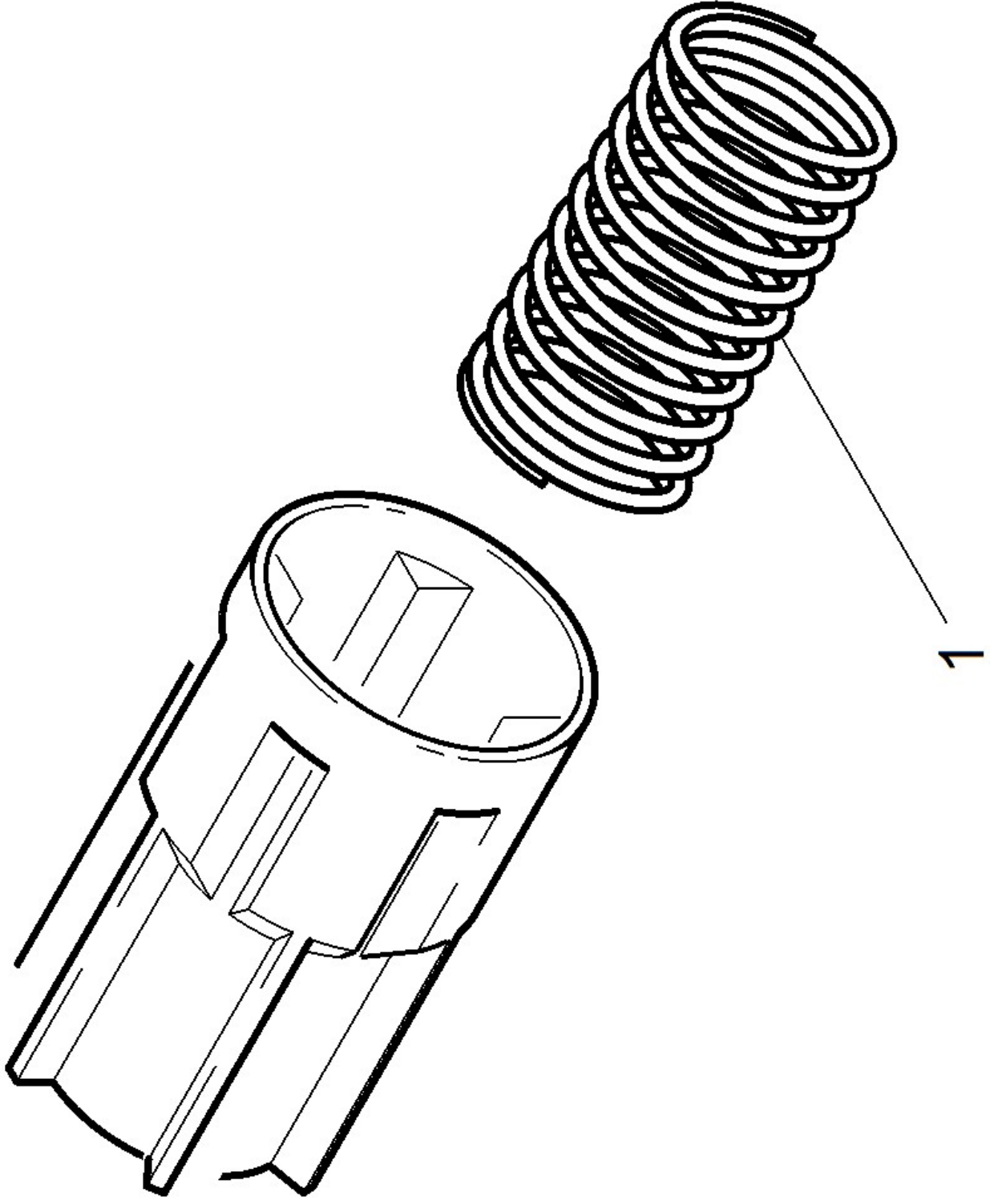
POS	Article no.	Description	Quantity	Unit
0	4.762-415.0	Roll Pad BR55	1	PC
0	9.753-054.0	Pad disk complete D51	1	PC
1	6.369-734.0	Pad red with sleeve	1	ZSA
1	9.302-688.0	PAD GREEN DIAM.96mm (SET 25 UNIT)	2	PC
1	8.635-692.0	ROLLER, STRIPPING, 22" CYLINDRICAL	1	PC
1	6.371-247.0	Diamond pad yellow set 5x Ø280	1	PC
1	6.371-246.0	Diamond pad white set 5x Ø280	1	PC
1	6.371-233.0	Diamond pad green set 5x Ø280	1	PC
1	6.369-735.0	Pad white with sleeve	1	ZSA
1	6.369-733.0	Pad green with sleeve	1	ZSA
1	6.369-732.0	Pad yellow with sleeve	1	ZSA
1	6.369-456.0	Pad red 105-20ST	1	ZSA
1	6.369-455.0	Pad green 105-20ST	1	ZSA
1	6.369-454.0	Pad yellow 105-20ST	1	ZSA
1	4.114-010.0	Micro-fibre roll complete BR 55/40	1	PC
1	4.114-005.0	Micro-fibre roll complete BR 55	1	PC
2	4.115-003.0	Washer closure	1	PC
3	5.120-313.0	Hub pad roll BR VS	1	PC
4	5.332-469.0	Helical spring	1	PC
5	4.038-677.0	Sheet metal component thread deflector	1	PC

1 PAD GREEN DIAM.96mm (SET 25 UNIT) (9.302-688.0)

POS	Article no.	Description	Quantity	Unit
1	9.380-066.0	PAD - GREEN DIAM.96mm	25	PC
3		PLASTIC BAG 276 x 450 PE	1	PC

1 PAD - GREEN DIAM.96mm (9.380-066.0)

POS	Article no.	Description	Quantity	Unit
1	9.397-012.0	GREEN PU FOR PAD 220MM	55,555	ZST





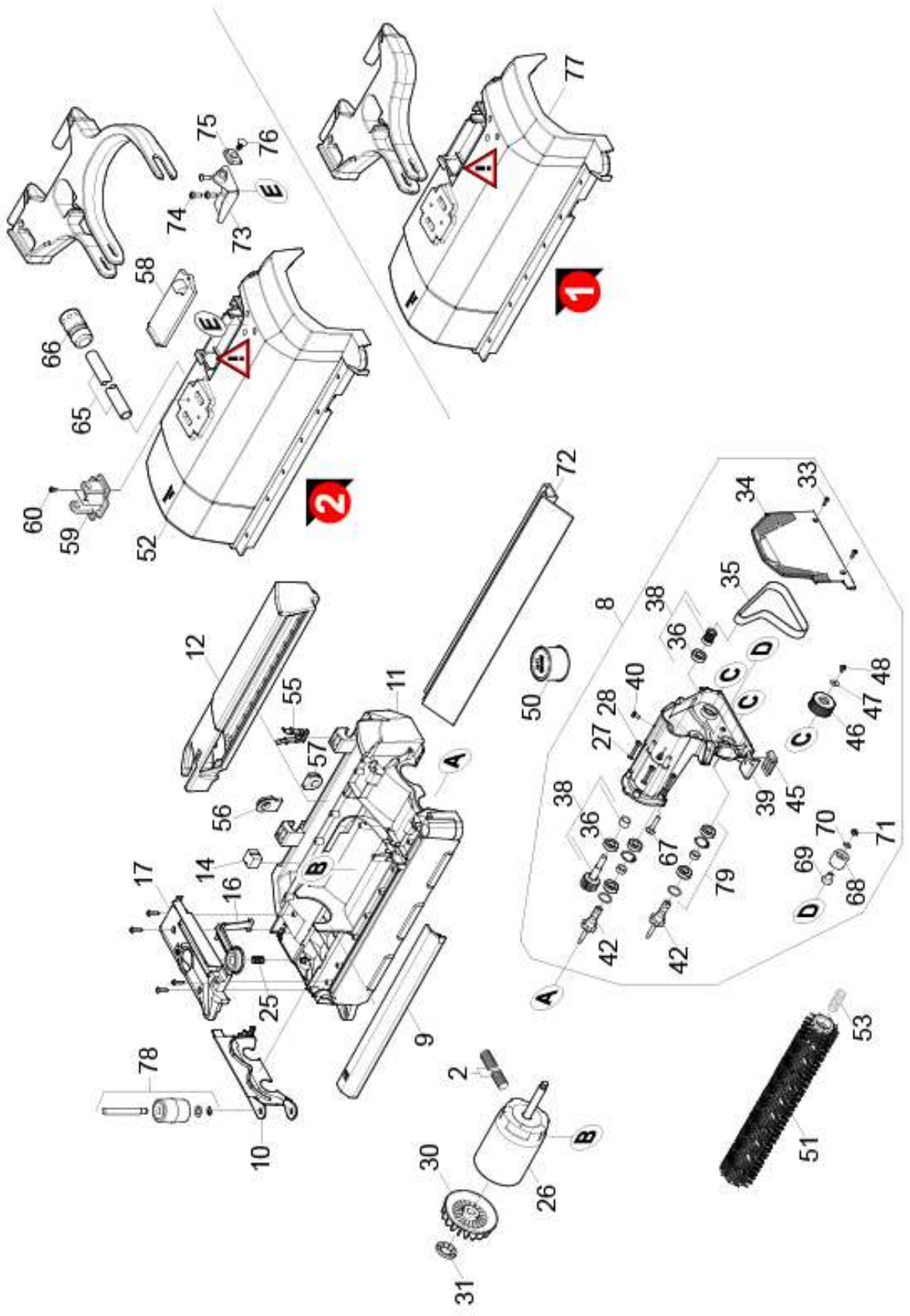
3 Hub pad roll BR VS (5.120-313.0)

POS	Article no.	Description	Quantity	Unit
1	5.332-469.0	Helical spring	1	PC

1030 Brush-head R 55 Ep 120V

---

POS	Description	Quantity	Unit
10	Power brush synchronous run BR	1	PC
20	Roll pad	1	PC



10 Power brush synchronous run BR

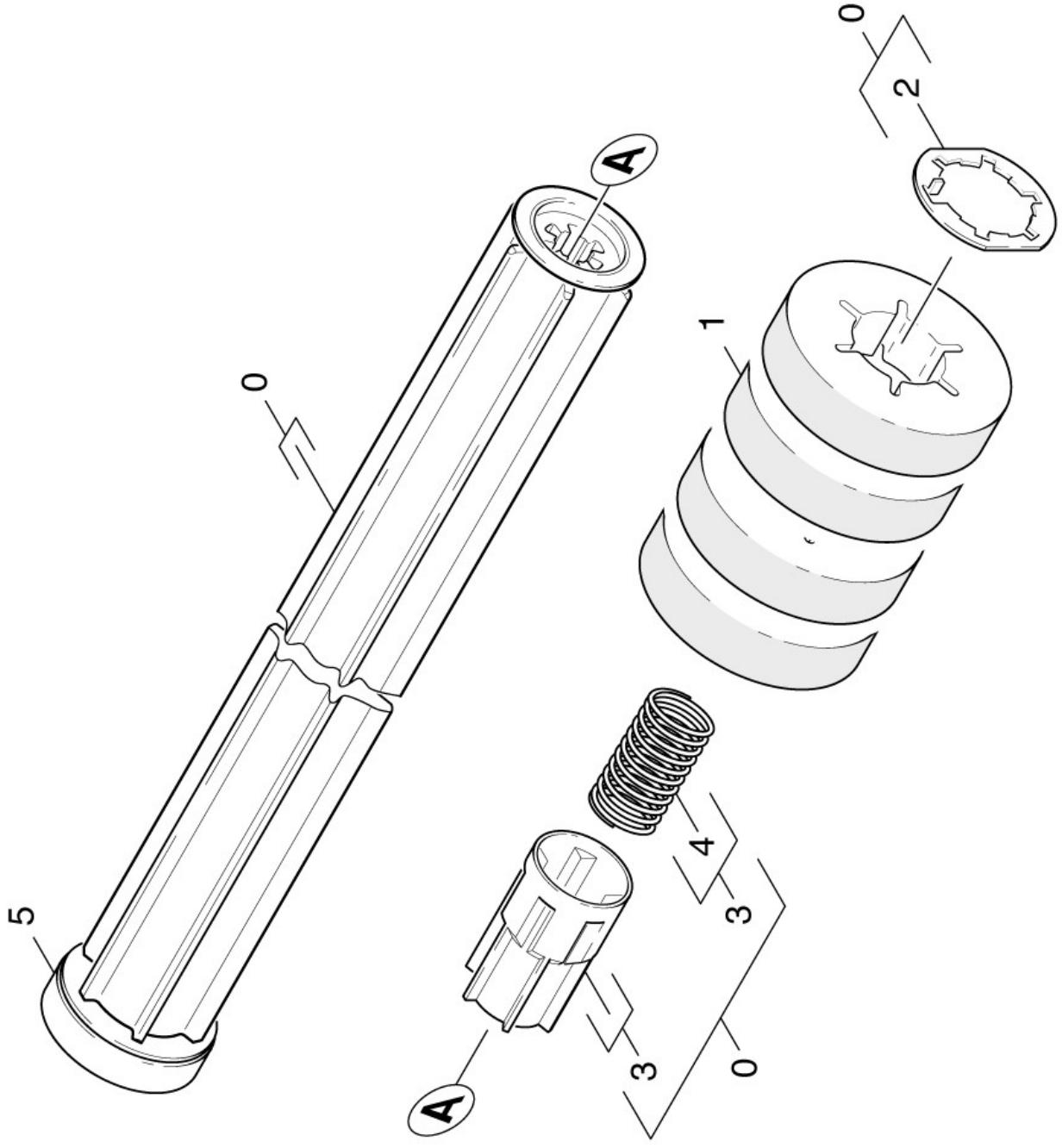
POS	Article no.	Description	Quantity	Unit	Remark	Foot note text
2	6.435-873.0	Piece of tube	1	PC		
8	4.035-502.0	Gear complete synchronous run	1	PC		
9	5.035-403.0	Strip water distributor R 55	1	PC		
10	5.035-393.0	Brushes retainer	1	PC		
11	5.035-389.0	Housing bottom part R 55	1	PC		
12	5.035-399.0	Sweep tank R 55	1	PC		
14	5.035-447.0	Plug	1	PC		
16	5.035-458.0	Brushes locking part	1	PC		
17	5.035-405.0	Housing top part locking part	1	PC		
18	7.303-113.0	Screw 6x25 -10.9-R2R (In6Rd)	8	PC		
25	6.330-450.0	Pressure spring	1	PC		
26	4.035-418.0	Motor replacement	1	PC	120 V	
27	7.312-026.0	Washer 6 -A2 ISO 7089	4	PC		
28	7.306-196.0	Screw M 6x30-A2-70 (IN6RD)	4	PC		
30	6.612-764.0	Blower wheel	1	PC		
31	6.343-149.0	Quick-fastener	1	PC		
33	7.303-038.0	Screw M5x12 -St-P2R (In6Rd)	2	PC		
34	5.035-385.0	Cover gear	1	PC		
35	4.035-425.0	Toothed belt replacement	1	PC		
36	7.401-115.0	Ball bearing 6002-2RS -WAEZLAGST DIN 62	2	PC		
38	4.035-423.0	Shaft replacement synchronous run	1	PC		
39	5.035-384.0	Carrier motor worked R	1	PC		
40	7.306-089.0	Screw M6x12 -8.8-R2R (In6Rd)	1	PC		
42	5.101-104.0	Driveshaft	2	PC		
45	5.056-010.0	Rocker BR-VS	1	PC		
46	5.625-507.0	Belt pulley 56Z	2	PC		
47	7.312-276.0	Washer 6 -200HV-A2E ISO7093-1	2	PC		
48	6.304-180.0	Screw M6X12-A2/70-ISO7045 (IN6RD)	2	PC		
50	6.288-095.0	Viscous oil	1	PC		
51	4.035-184.0	ROLLER BRUSH COMPLETE FOR REPLACEMENT BR	2	PC		
51	4.762-409.0	Roller brush complete white BR 55/40	2	PC		
51	4.762-410.0	Roller brush complete orange BR	2	PC		

10 Power brush synchronous run BR

POS	Article no.	Description	Quantity	Unit	Remark	Foot note text
		55/40				
51	4.762-411.0	Roller brush complete green BR 55/40	2	PC		
51	4.762-412.0	Roller brush complete black BR 55/40	2	PC		
52	5.035-390.0	Housing top part R 55	1	PC		
53	5.332-114.0	Helical spring	1	PC		
55	5.035-424.0	Snap-fit	2	PC		
56	5.035-448.0	Wire protecting sleeve	1	PC		
57	6.648-064.0	Cable bushing	1	PC		
58	5.035-386.0	Cover electric box	1	PC		
59	5.035-604.0	Suspension seal brush-head BD	1	PC		
60	7.303-038.0	Screw M5x12 -St-P2R (In6Rd)	2	PC		
65	6.390-892.0	Spiral hose NW12	1	m		TO ORDER AS CUT GOODS
66	2.645-191.0	Hose coupling entry Universal	1	PC		
67	7.303-186.0	Saucer-head screw M8x40 -St-A0P DIN 603	1	PC		
68	4.250-083.0	Tension roller D = 33,5	1	PC		
69	5.110-700.0	Sleeve	1	PC		
70	7.312-017.0	Washer 8-A2 ISO 7089	1	PC		
71	7.311-427.0	Hexagon nut M8 -04-A2E DIN 985	1	PC		
72	5.035-401.0	Rubberlip synchronous run R 55	1	PC		
73	5.035-782.0	Suspension brush-head R	1	PC		VERSION 2
74	7.303-112.0	Screw 6x20 -10.9-R2R (In6Rd)	3	PC		VERSION 2
75	5.035-673.0	Sliding shoe	1	PC		VERSION 2
76	6.343-261.0	Quick-fastener	1	PC		VERSION 2
77	2.882-737.0	Conversion kit R55-Kopf B40	1	PC	R55	VERSION 1
78	4.035-610.0	Set deflector roll	1	PC		
79	4.035-611.0	Set transmission power brush	2	PC		

68 Tension roller D = 33,5 (4.250-083.0)

POS	Article no.	Description	Quantity	Unit
10	6.401-363.0	Ball bearing	2	PC



20 Roll pad

POS	Article no.	Description	Quantity	Unit
0	4.762-415.0	Roll Pad BR55	1	PC
0	9.753-054.0	Pad disk complete D51	1	PC
1	6.369-734.0	Pad red with sleeve	1	ZSA
1	9.302-688.0	PAD GREEN DIAM.96mm (SET 25 UNIT)	2	PC
1	8.635-692.0	ROLLER, STRIPPING, 22" CYLINDRICAL	1	PC
1	6.371-247.0	Diamond pad yellow set 5x Ø280	1	PC
1	6.371-246.0	Diamond pad white set 5x Ø280	1	PC
1	6.371-233.0	Diamond pad green set 5x Ø280	1	PC
1	6.369-735.0	Pad white with sleeve	1	ZSA
1	6.369-733.0	Pad green with sleeve	1	ZSA
1	6.369-732.0	Pad yellow with sleeve	1	ZSA
1	6.369-456.0	Pad red 105-20ST	1	ZSA
1	6.369-455.0	Pad green 105-20ST	1	ZSA
1	6.369-454.0	Pad yellow 105-20ST	1	ZSA
1	4.114-010.0	Micro-fibre roll complete BR 55/40	1	PC
1	4.114-005.0	Micro-fibre roll complete BR 55	1	PC
2	4.115-003.0	Washer closure	1	PC
3	5.120-313.0	Hub pad roll BR VS	1	PC
4	5.332-469.0	Helical spring	1	PC
5	4.038-677.0	Sheet metal component thread deflector	1	PC

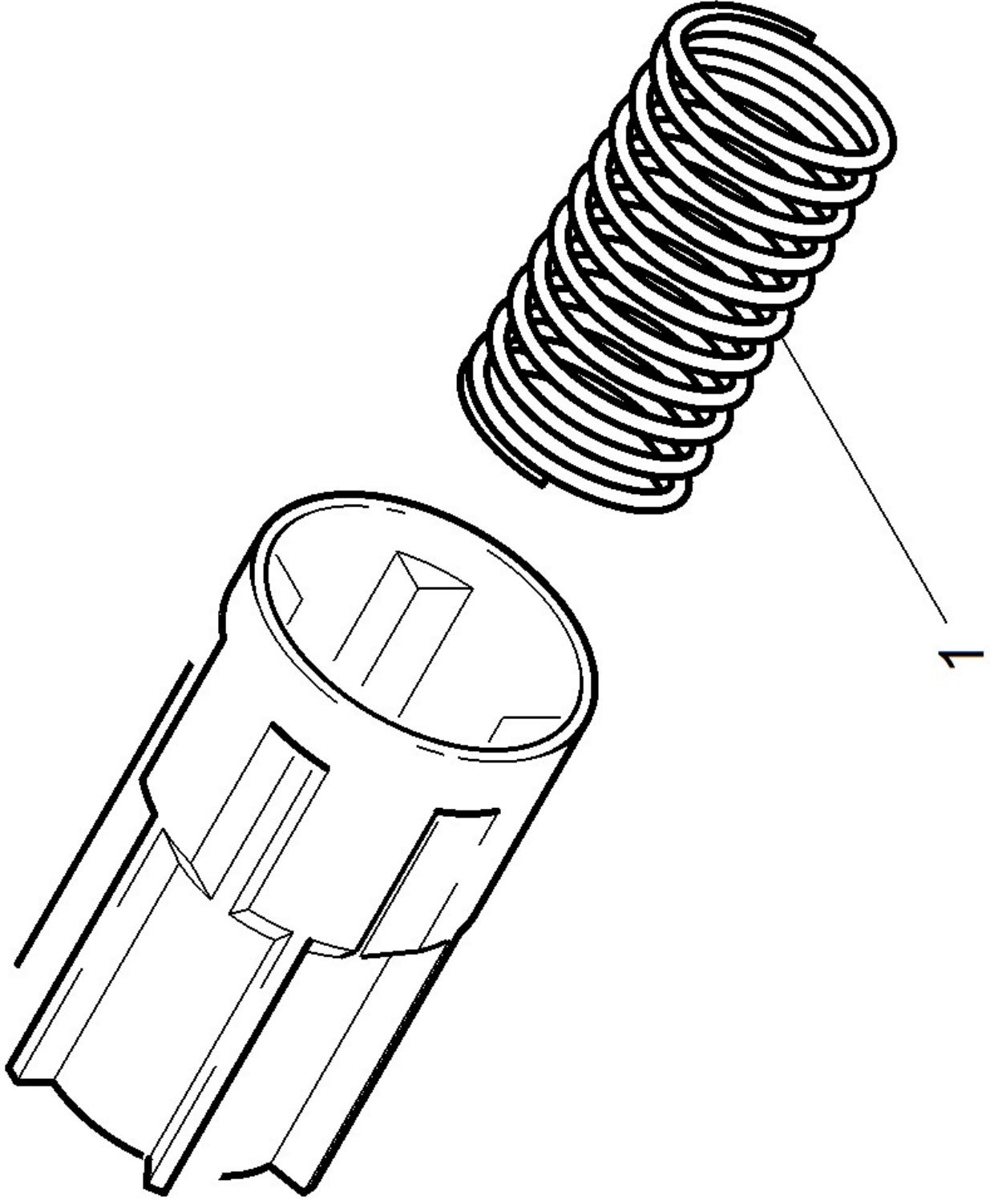


1 PAD GREEN DIAM.96mm (SET 25 UNIT) (9.302-688.0)

POS	Article no.	Description	Quantity	Unit
1	9.380-066.0	PAD - GREEN DIAM.96mm	25	PC
3		PLASTIC BAG 276 x 450 PE	1	PC

1 PAD - GREEN DIAM.96mm (9.380-066.0)

POS	Article no.	Description	Quantity	Unit
1	9.397-012.0	GREEN PU FOR PAD 220MM	55,555	ZST



3 Hub pad roll BR VS (5.120-313.0)

POS	Article no.	Description	Quantity	Unit
1	5.332-469.0	Helical spring	1	PC

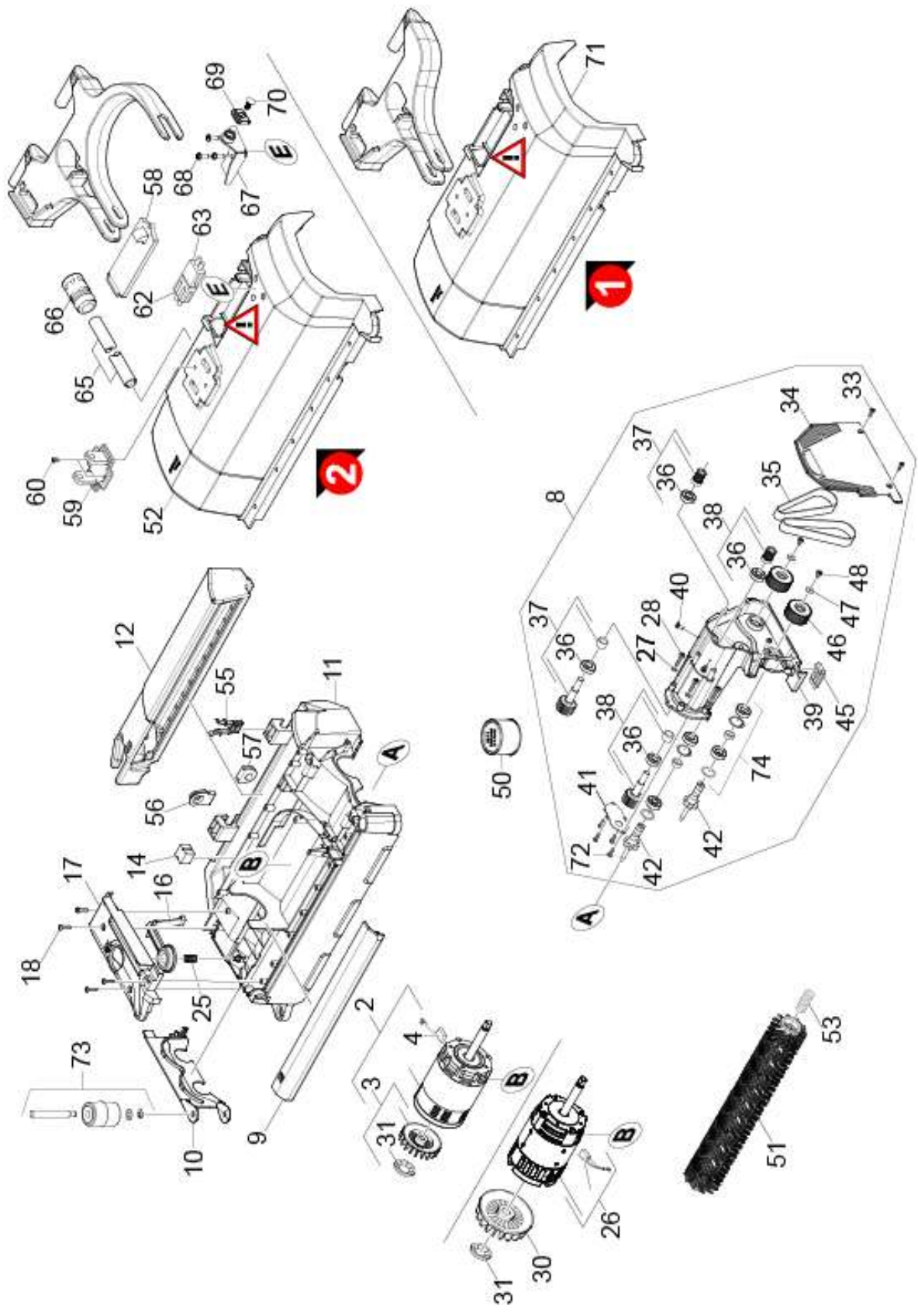
1040 Brush-head R 45 W (2.763-019.0)

POS	Description	Quantity	Unit
10	Brush-head R 45 W	1	PC

10 Brush-head R 45 W

POS	Description	Quantity	Unit
10	Power brush counter rotation BR	1	PC
11	Roll pad	1	PC

10 Power brush counter rotation BR



10 Power brush counter rotation BR

POS	Article no.	Description	Quantity	Unit	Remark	Foot note text
2	4.035-428.0	Direct current motor replacement	1	PC	Hengye/24V	
3	6.610-027.0	Blower wheel only for replacement Hengye	1	PC	Hengye	
4	6.610-026.0	Carbon brush set	1	PC	Hengye	
8	4.035-004.0	Gear complete counter rotation	1	PC		
9	5.035-402.0	Strip water distributor R 45	1	PC		
10	5.035-393.0	Brushes retainer	1	PC		
11	5.035-387.0	Housing bottom part R 45	1	PC		
12	5.035-396.0	Sweep tank R 45	1	PC		
14	5.035-447.0	Plug	1	PC		
16	5.035-458.0	Brushes locking part	1	PC		
17	5.035-405.0	Housing top part locking part	1	PC		
18	7.303-113.0	Screw 6x25 -10.9-R2R (In6Rd)	8	PC		
25	6.330-450.0	Pressure spring	1	PC		
26	4.035-428.0	Direct current motor replacement	1	PC	ATAS/24V	
27	7.312-026.0	Washer 6 -A2 ISO 7089	4	PC		
28	7.306-196.0	Screw M 6x30-A2-70 (IN6RD)	4	PC		
30	6.613-025.0	Blower wheel	1	PC	ATAS	
31	6.343-149.0	Quick-fastener	1	PC		
33	7.303-039.0	Screw M5x16 -St-P2R (In6Rd)	2	PC		
34	5.035-385.0	Cover gear	1	PC		
35	4.035-005.0	Toothed belt replacement	2	PC		
36	7.401-115.0	Ball bearing 6002-2RS -WAEZLAGST DIN 62	4	PC		
37	4.035-380.0	Shaft gear left	1	PC		
38	4.035-381.0	Shaft gear right	1	PC		
39	5.035-384.0	Carrier motor worked R	1	PC		
40	7.306-089.0	Screw M6x12 -8.8-R2R (In6Rd)	1	PC		
41	5.035-684.0	Covering cap gear	1	PC		
42	5.101-104.0	Driveshaft	2	PC		
45	5.056-010.0	Rocker BR-VS	1	PC		
46	5.625-507.0	Belt pulley 56Z	2	PC		
47	7.312-276.0	Washer 6 -200HV-A2E ISO7093-1	2	PC		
48	6.304-180.0	Screw M6X12-A2/70-ISO7045 (IN6RD)	2	PC		

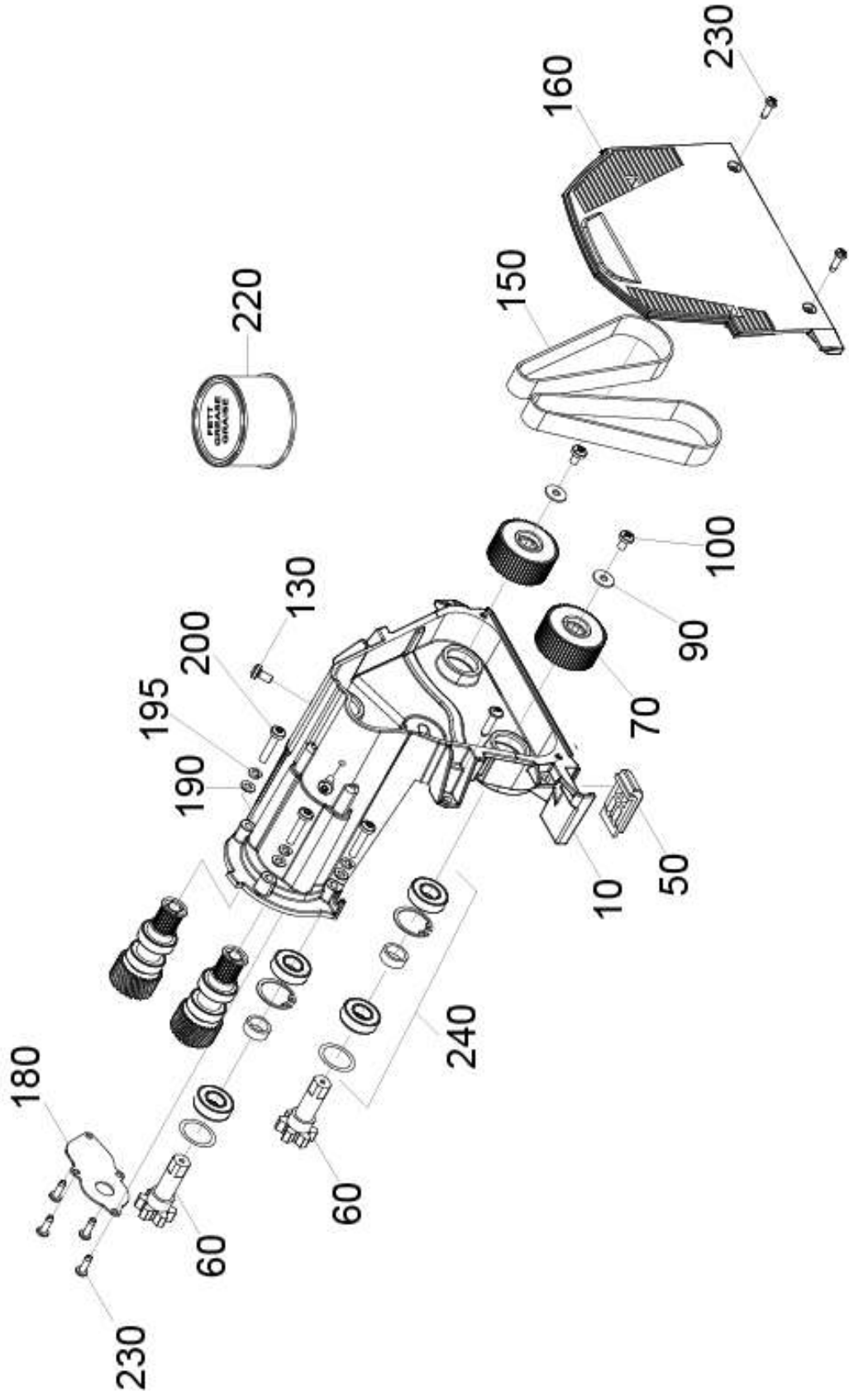


10 Power brush counter rotation BR

POS	Article no.	Description	Quantity	Unit	Remark	Foot note text
50	6.288-095.0	Viscous oil	1	PC		
51	4.762-392.0	Roller brush complete red BR 45/40	2	PC		
51	4.762-405.0	Roller brush complete white BR 45/40	2	PC		
51	4.762-406.0	Roller brush complete orange BR 45/40	2	PC		
51	4.762-407.0	Roller brush complete green BR 45/40	2	PC		
51	4.762-408.0	Roller brush complete black BR 45/40	2	PC		
52	5.035-388.0	Housing top part R 45	1	PC		
53	5.332-114.0	Helical spring	1	PC		
55	5.035-424.0	Snap-fit	2	PC		
56	5.035-448.0	Wire protecting sleeve	1	PC		
57	6.648-064.0	Cable bushing	1	PC		
58	5.035-386.0	Cover electric box	1	PC		
59	5.035-604.0	Suspension seal brush-head BD	1	PC		
60	7.303-038.0	Screw M5x12 -St-P2R (In6Rd)	2	PC		
62	6.646-034.0	Set plug complete rot, 75A , Q-6mm²	1	PC		
63	6.646-033.0	Set plug complete blau , 75A , Q-6mm²	1	PC		
65	6.390-892.0	Spiral hose NW12	1	m		TO ORDER AS CUT GOODS
66	2.645-191.0	Hose coupling entry Universal	1	PC		
67	5.035-782.0	Suspension brush-head R	1	PC		VERSION 2
68	7.303-112.0	Screw 6x20 -10.9-R2R (In6Rd)	3	PC		VERSION 2
69	5.035-673.0	Sliding shoe	1	PC		VERSION 2
70	6.343-261.0	Quick-fastener	1	PC		VERSION 2
71	2.882-736.0	Conversion kit R45-Kopf B40	1	PC	R55	VERSION 1
72	7.303-038.0	Screw M5x12 -St-P2R (In6Rd)	4	PC		
73	4.035-610.0	Set deflector roll	1	PC		
74	4.035-611.0	Set transmission power brush	2	PC		

2 Direct current motor replacement (4.035-428.0)

POS	Article no.	Description	Quantity	Unit
10	6.610-026.0	Carbon brush set	1	PC
20	6.610-027.0	Blower wheel only for replacement Hengye	1	PC

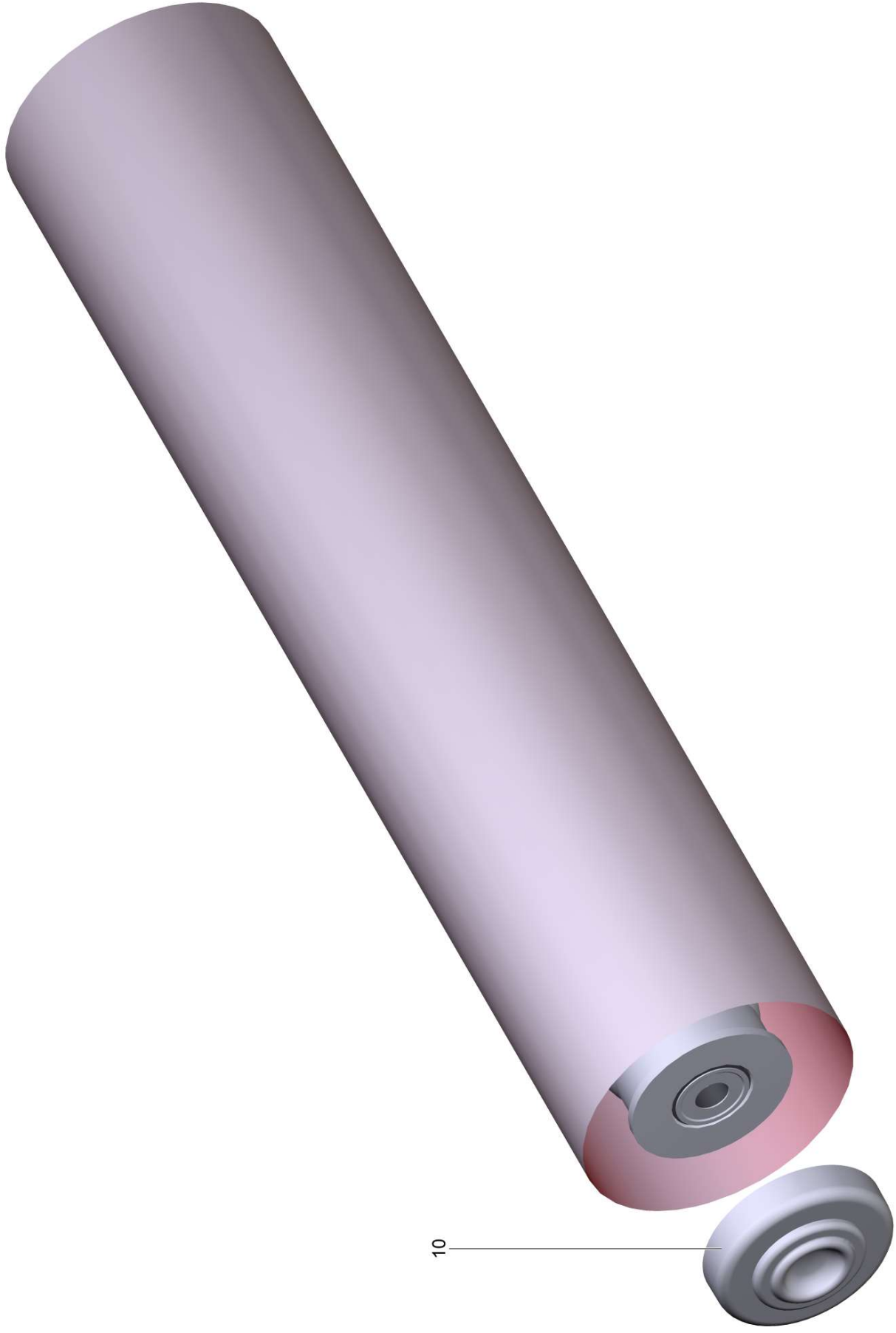


8 Gear complete counter rotation (4.035-004.0)

POS	Article no.	Description	Quantity	Unit
10	5.035-384.0	Carrier motor worked R	1	PC
50	5.056-010.0	Rocker BR-VS	1	PC
60	5.101-104.0	Driveshaft	2	PC
70	5.625-507.0	Belt pulley 56Z	2	PC
90	7.312-276.0	Washer 6 -200HV-A2E ISO7093-1	2	PC
100	6.304-180.0	Screw M6X12-A2/70-ISO7045 (IN6RD)	2	PC
120	4.035-381.0	Shaft gear right	1	PC
130	7.306-089.0	Screw M6x12 -8.8-R2R (In6Rd)	2	PC
140	4.035-380.0	Shaft gear left	1	PC
150	4.035-005.0	Toothed belt replacement	2	PC
160	5.035-385.0	Cover gear	1	PC
180	5.035-684.0	Covering cap gear	1	PC
190	7.312-026.0	Washer 6 -A2 ISO 7089	4	PC
195	7.313-003.0	Spring washer B 6-FSt-A3E DIN 127	4	PC
200	7.306-196.0	Screw M 6x30-A2-70 (IN6RD)	4	PC
220	6.288-095.0	Viscous oil	1	PC
230	7.303-038.0	Screw M5x12 -St-P2R (In6Rd)	6	PC
240	4.035-611.0	Set transmission power brush	2	PC

26 Direct current motor replacement (4.035-428.0)

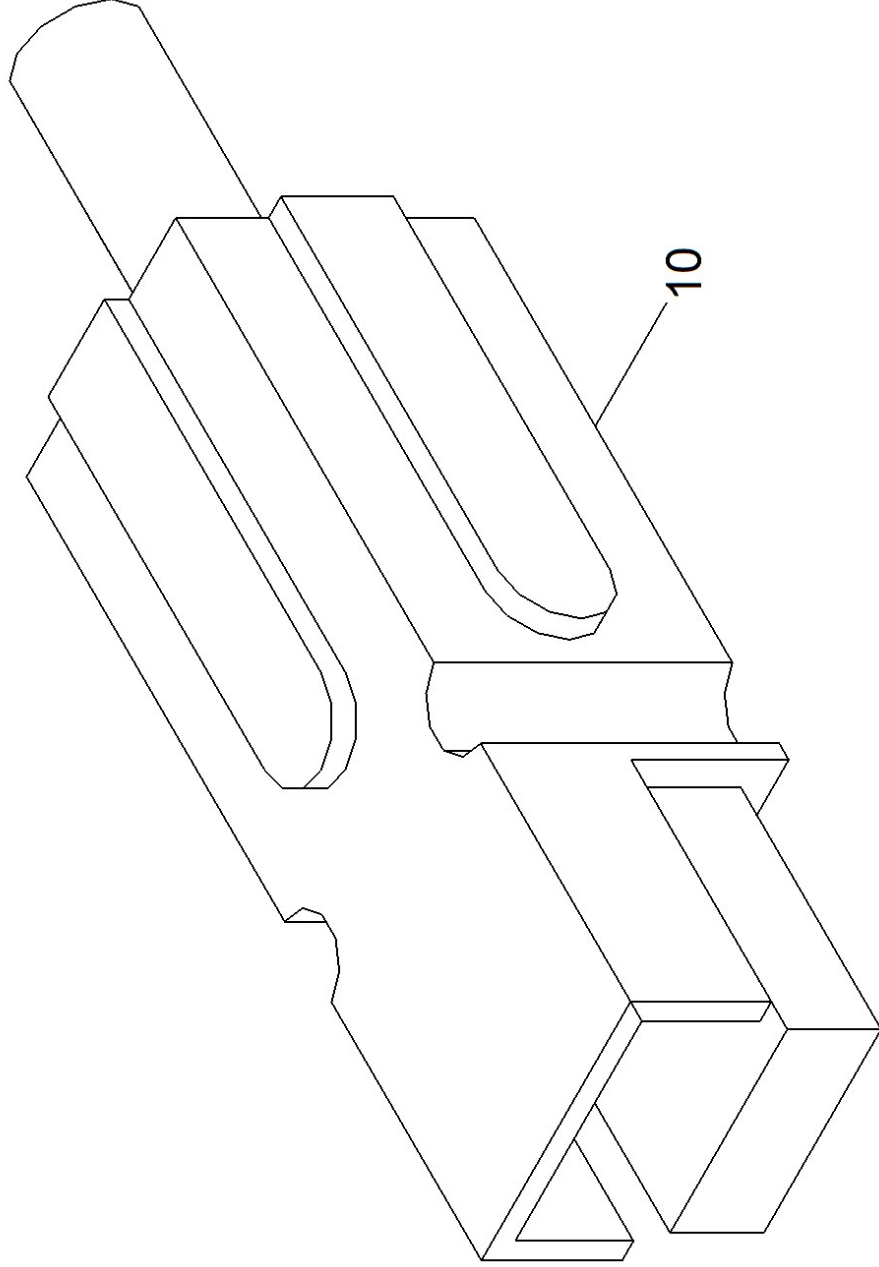
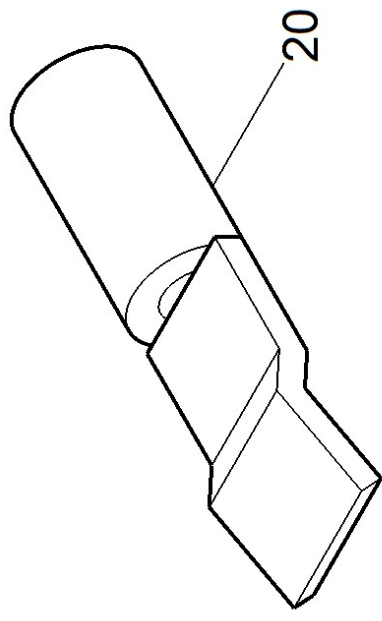
POS	Article no.	Description	Quantity	Unit
10	6.610-026.0	Carbon brush set	1	PC
20	6.610-027.0	Blower wheel only for replacement Hengye	1	PC



10

51 Roller brush complete red BR 45/40 (4.762-392.0)

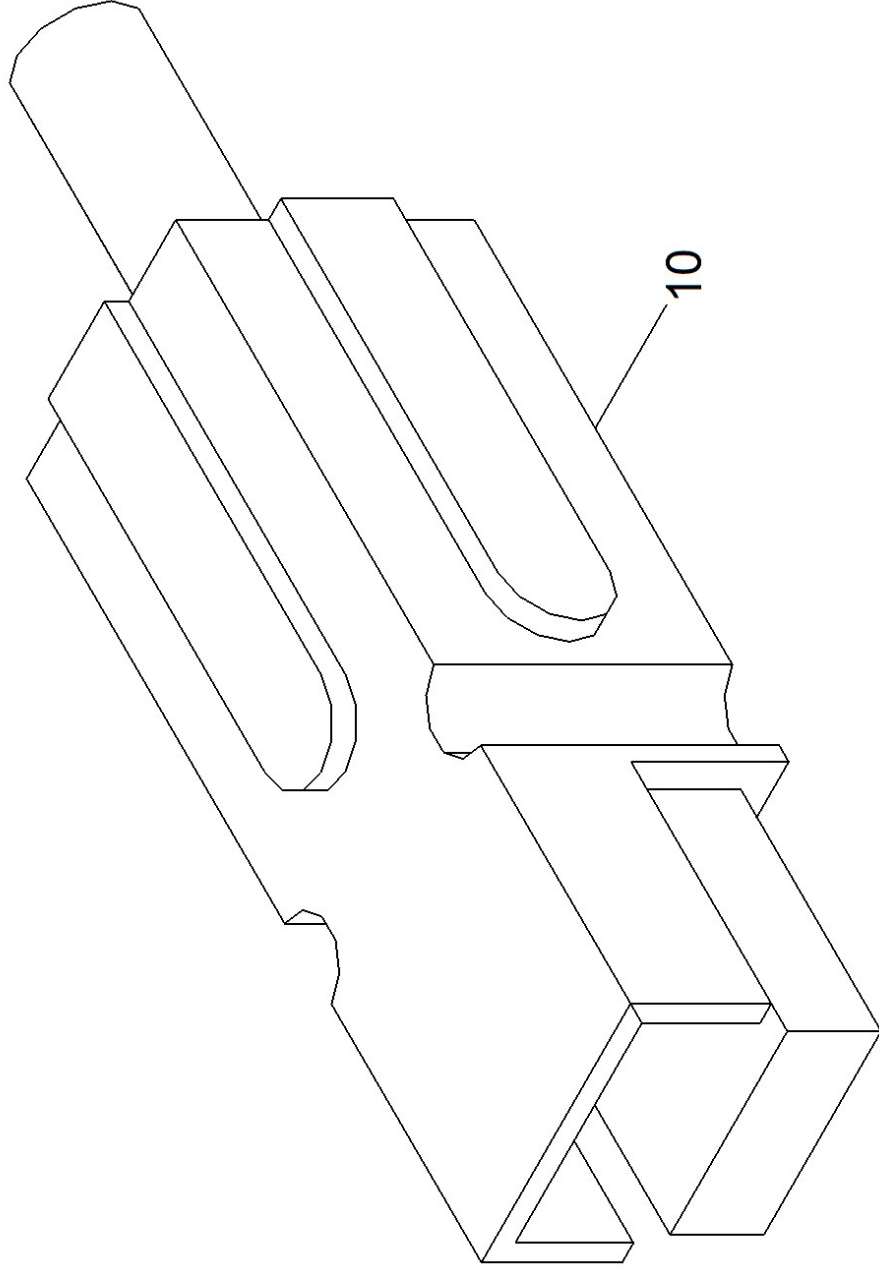
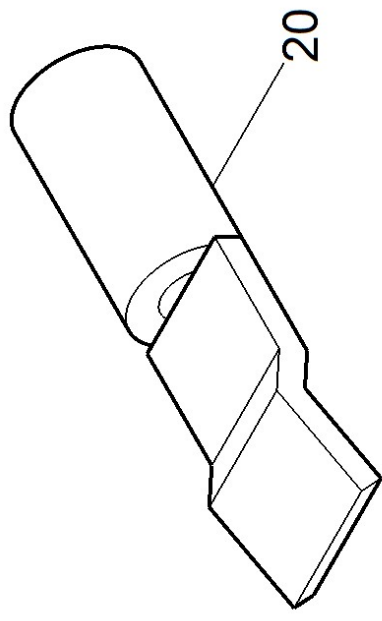
POS	Article no.	Description	Quantity	Unit
10	5.033-673.0	Thread deflector	1	PC





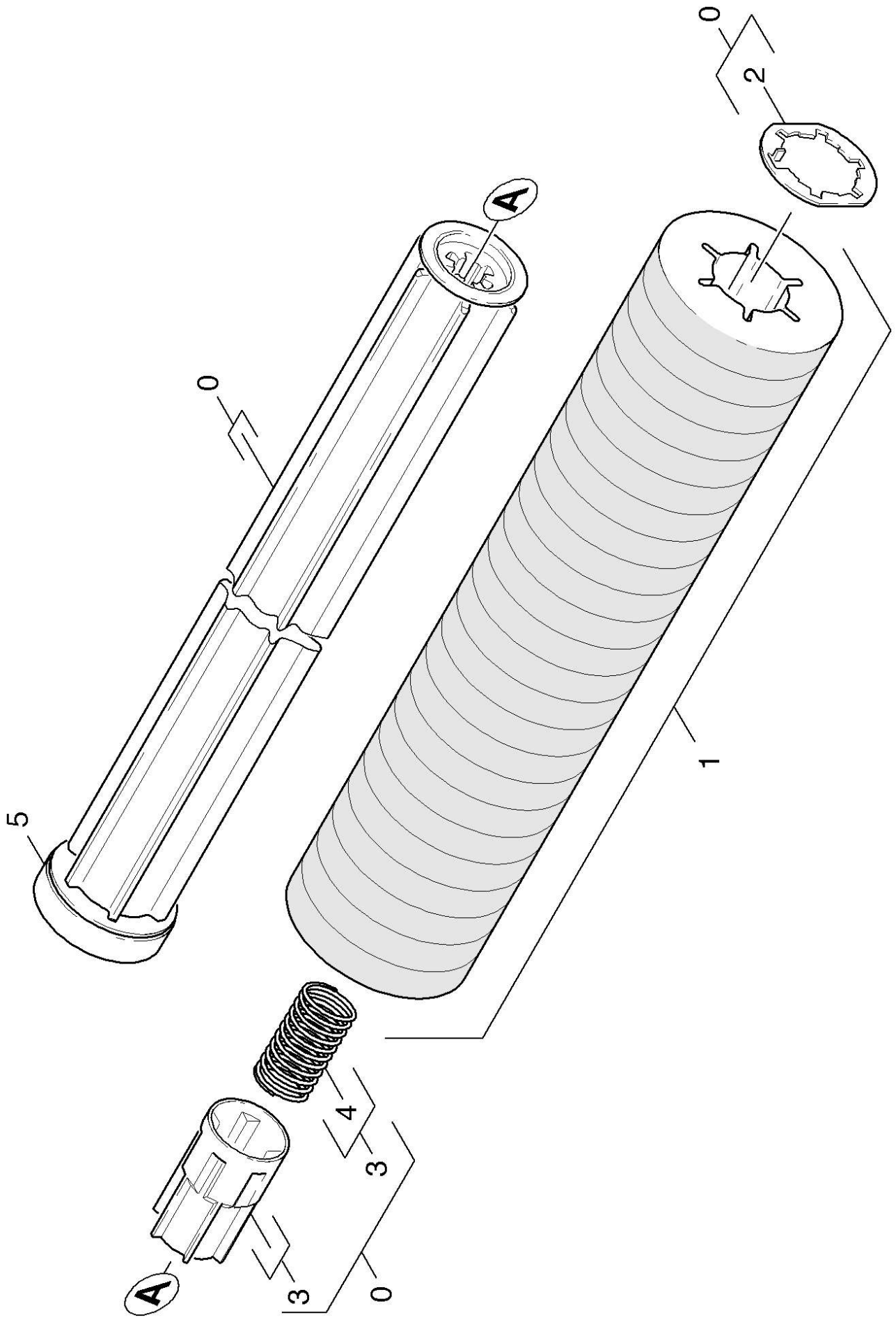
62 Set plug complete rot, 75A , Q-6mm<sup>2</sup> (6.646-034.0)

POS	Article no.	Description	Quantity	Unit
10	6.643-043.0	Plug housing red 75 A	1	PC
20	6.646-979.0	Switch contact 6 mm <sup>2</sup>	1	PC



63 Set plug complete blau , 75A , Q-6mm<sup>2</sup> (6.646-033.0)

POS	Article no.	Description	Quantity	Unit
10	6.643-045.0	Plug housing blue 75 A	1	PC
20	6.646-979.0	Switch contact 6 mm <sup>2</sup>	1	PC

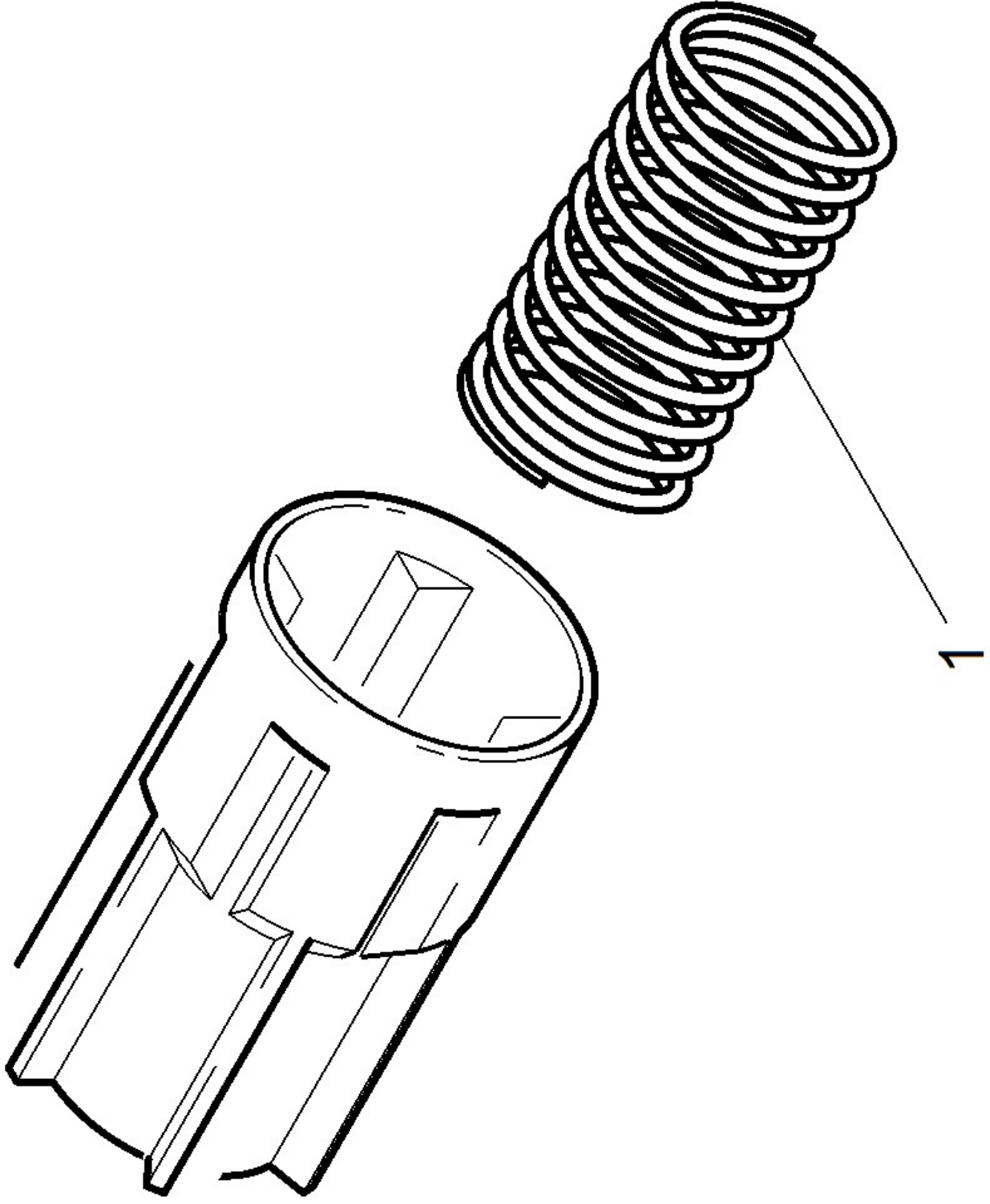


11 Roll pad

POS	Article no.	Description	Quantity	Unit	Remark
0	4.762-413.0	Roll Pad BR45	1	PC	
1	4.114-009.0	Micro-fibre roll complete BR 45/40	1	PC	
1	4.114-011.0	Roll stripping 450mm	1	PC	
1	6.367-105.0	Pad yellow with sleeve BR 45/40	1	ZSA	BR 55/40
1	6.367-106.0	Pad green with sleeve BR 45/40	1	ZSA	BR 55/40
1	6.367-107.0	Pad red with sleeve BR 45/40	1	ZSA	BR 55/40
1	6.367-108.0	Pad white with sleeve BR 45/40	1	ZSA	BR 55/40
2	4.115-003.0	Washer closure	1	PC	
3	5.120-313.0	Hub pad roll BR VS	1	PC	
4	5.332-469.0	Helical spring	1	PC	
5	4.038-677.0	Sheet metal component thread deflector	1	PC	

1 Micro-fibre roll complete BR 45/40 (4.114-009.0)

POS	Description	Quantity	Unit
10	Carrier micro-fibre	2	PC
20	Sleeve micro-fibre	0,112	ZST



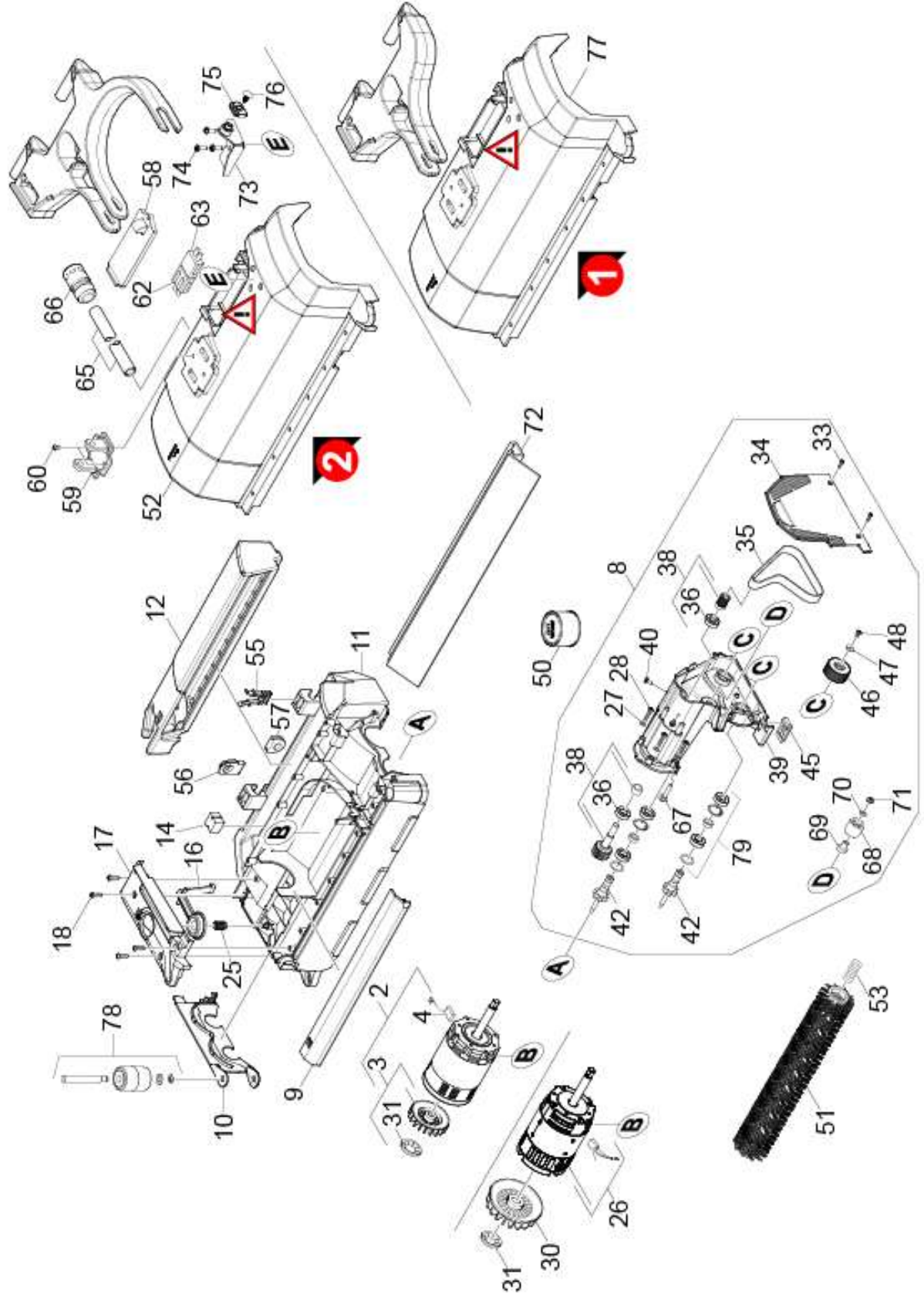
3 Hub pad roll BR VS (5.120-313.0)

POS	Article no.	Description	Quantity	Unit
1	5.332-469.0	Helical spring	1	PC



1050 Brush-head R 45 C

POS	Description	Quantity	Unit
10	Power brush synchronous run BR	1	PC
20	Roll pad	1	PC



## 10 Power brush synchronous run BR

POS	Article no.	Description	Quantity	Unit	Remark	Foot note text
2	4.035-428.0	Direct current motor replacement	1	PC	Hengye/24V	
3	6.610-027.0	Blower wheel only for replacement Hengye	1	PC	Hengye	
4	6.610-026.0	Carbon brush set	1	PC	Hengye	
8	4.035-502.0	Gear complete synchronous run	1	PC		
9	5.035-402.0	Strip water distributor R 45	1	PC		
10	5.035-393.0	Brushes retainer	1	PC		
11	5.035-387.0	Housing bottom part R 45	1	PC		
12	5.035-396.0	Sweep tank R 45	1	PC		
14	5.035-447.0	Plug	1	PC		
16	5.035-458.0	Brushes locking part	1	PC		
17	5.035-405.0	Housing top part locking part	1	PC		
18	7.303-113.0	Screw 6x25 -10.9-R2R (In6Rd)	8	PC		
25	6.330-450.0	Pressure spring	1	PC		
26	4.035-428.0	Direct current motor replacement	1	PC	ATAS	
27	7.312-026.0	Washer 6 -A2 ISO 7089	4	PC		
28	7.306-196.0	Screw M 6x30-A2-70 (In6RD)	4	PC		
30	6.613-025.0	Blower wheel	1	PC	ATAS	
31	6.343-149.0	Quick-fastener	1	PC		
33	7.303-038.0	Screw M5x12 -St-P2R (In6Rd)	2	PC		
34	5.035-385.0	Cover gear	1	PC		
35	4.035-425.0	Toothed belt replacement	1	PC		
36	7.401-115.0	Ball bearing 6002-2RS -WAE LZLAGST DIN 62	2	PC		
38	4.035-423.0	Shaft replacement synchronous run	1	PC		
39	5.035-384.0	Carrier motor worked R	1	PC		
40	7.306-089.0	Screw M6x12 -8.8-R2R (In6Rd)	1	PC		
42	5.101-104.0	Driveshaft	2	PC		
45	5.056-010.0	Rocker BR-VS	1	PC		
46	5.625-507.0	Belt pulley 56Z	2	PC		
47	7.312-276.0	Washer 6 -200HV-A2E ISO7093-1	2	PC		
48	6.304-180.0	Screw M6X12-A2/70-ISO7045 (In6RD)	2	PC		
50	6.288-095.0	Viscous oil	1	PC		
51	4.762-392.0	Roller brush complete red BR 45/40	2	PC		

## 10 Power brush synchronous run BR

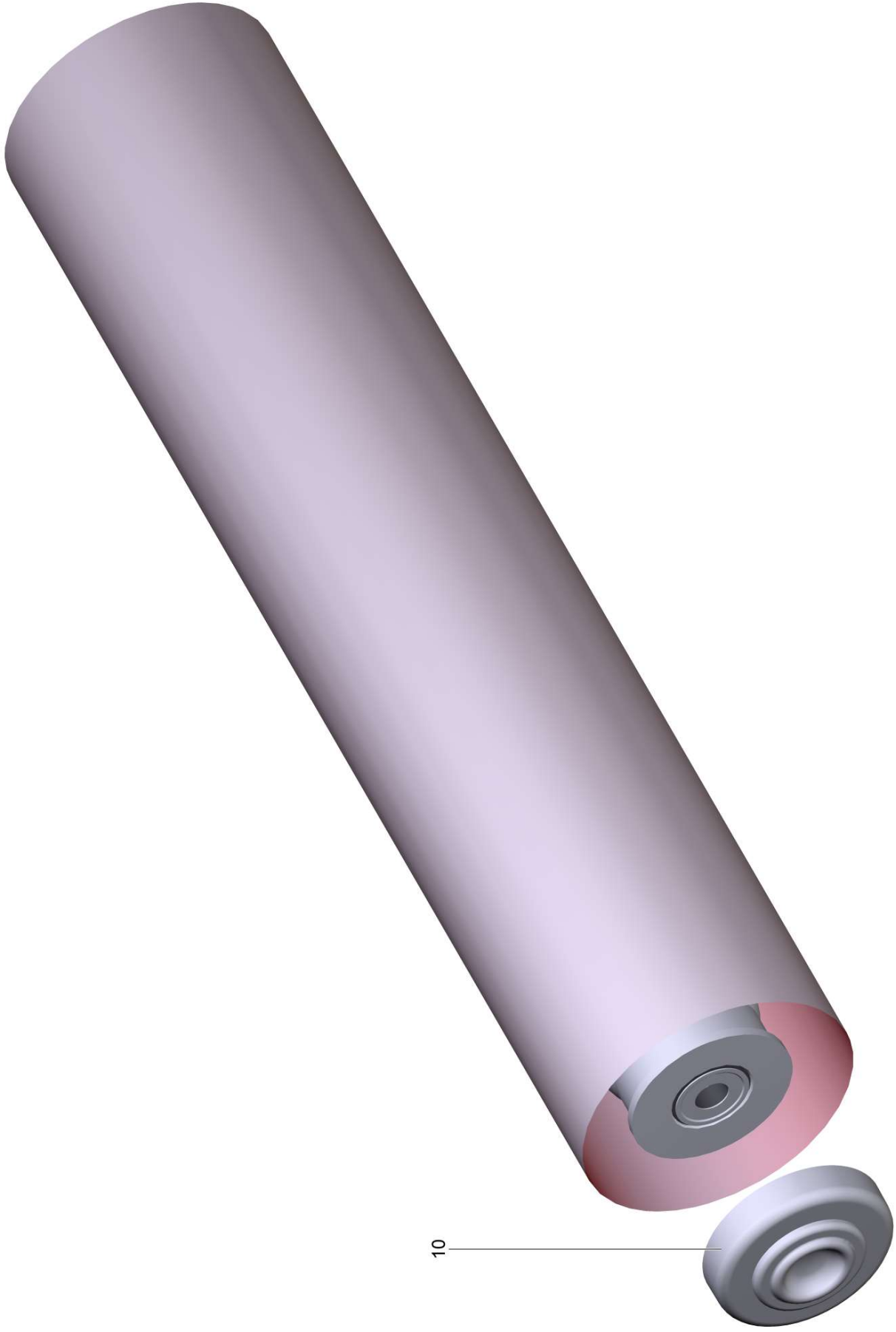
POS	Article no.	Description	Quantity	Unit	Remark	Foot note text
51	4.762-405.0	Roller brush complete white BR 45/40	2	PC		
51	4.762-406.0	Roller brush complete orange BR 45/40	2	PC		
51	4.762-407.0	Roller brush complete green BR 45/40	2	PC		
51	4.762-408.0	Roller brush complete black BR 45/40	2	PC		
52	5.035-388.0	Housing top part R 45	1	PC		
53	5.332-114.0	Helical spring	1	PC		
55	5.035-424.0	Snap-fit	2	PC		
56	5.035-448.0	Wire protecting sleeve	1	PC		
57	6.648-064.0	Cable bushing	1	PC		
58	5.035-386.0	Cover electric box	1	PC		
59	5.035-604.0	Suspension seal brush-head BD	1	PC		
60	7.303-038.0	Screw M5x12 -St-P2R (In6Rd)	2	PC		
62	6.646-034.0	Set plug complete rot, 75A , Q-6mm²	1	PC		
63	6.646-033.0	Set plug complete blau , 75A , Q-6mm²	1	PC		
65	6.390-892.0	Spiral hose NW12	1	m		TO ORDER AS CUT GOODS
66	2.645-191.0	Hose coupling entry Universal	1	PC		
67	7.303-186.0	Saucer-head screw M8x40 -St-A0P DIN 603	1	PC		
68	4.250-083.0	Tension roller D = 33,5	1	PC		
69	5.110-700.0	Sleeve	1	PC		
70	7.312-017.0	Washer 8-A2 ISO 7089	1	PC		
71	7.311-427.0	Hexagon nut M8 -04-A2E DIN 985	1	PC		
72	5.035-398.0	Rubberlip synchronous run R 45	1	PC		
73	5.035-782.0	Suspension brush-head R	1	PC		VERSION 2
74	7.303-112.0	Screw 6x20 -10.9-R2R (In6Rd)	3	PC		VERSION 2
75	5.035-673.0	Sliding shoe	1	PC		VERSION 2
76	6.343-261.0	Quick-fastener	1	PC		VERSION 2
77	2.882-736.0	Conversion kit R45-Kopf B40	1	PC	R55	VERSION 1
78	4.035-610.0	Set deflector roll	1	PC		
79	4.035-611.0	Set transmission power brush	2	PC		

2 Direct current motor replacement (4.035-428.0)

POS	Article no.	Description	Quantity	Unit
10	6.610-026.0	Carbon brush set	1	PC
20	6.610-027.0	Blower wheel only for replacement Hengye	1	PC

26 Direct current motor replacement (4.035-428.0)

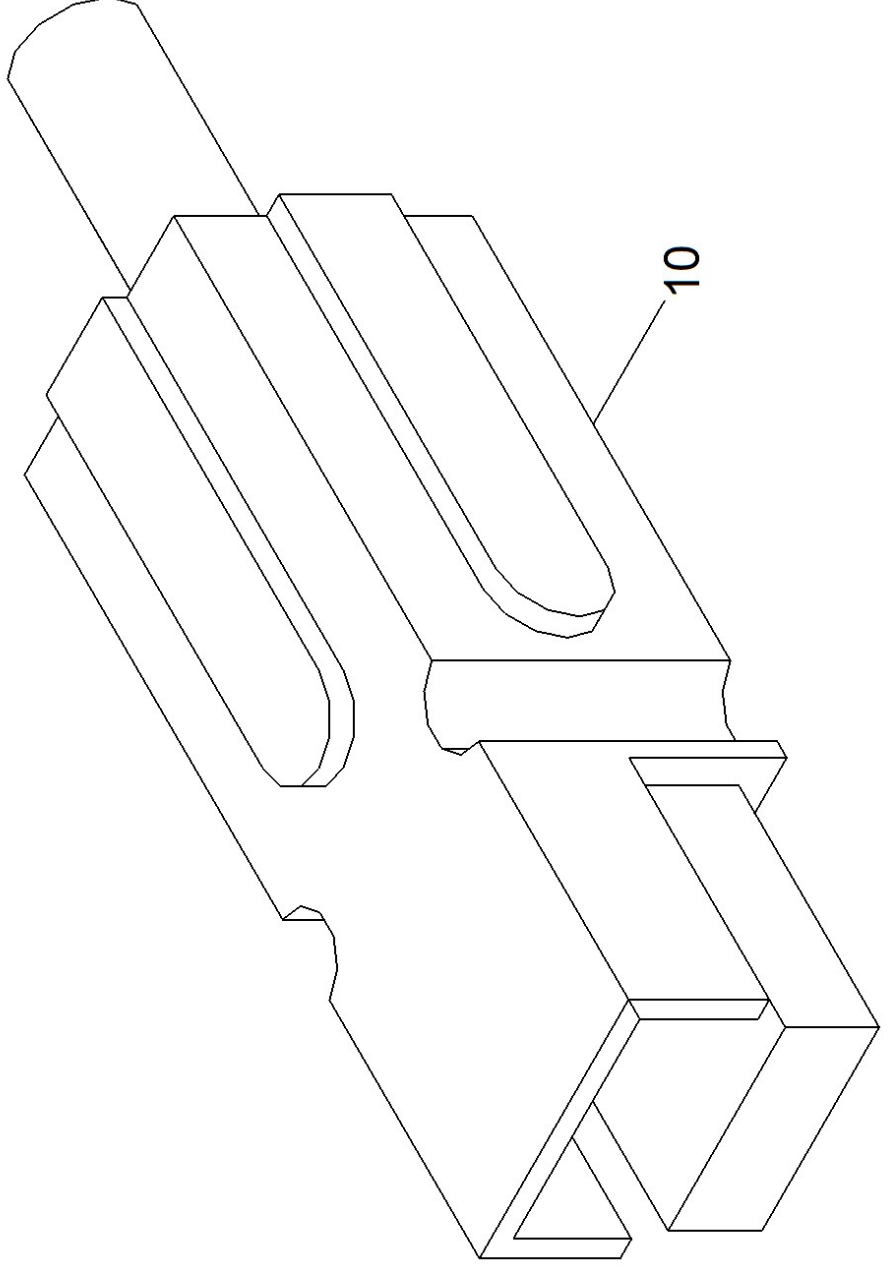
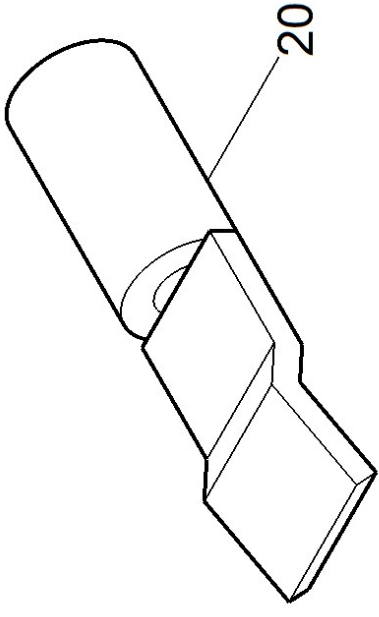
POS	Article no.	Description	Quantity	Unit
10	6.610-026.0	Carbon brush set	1	PC
20	6.610-027.0	Blower wheel only for replacement Hengye	1	PC



51 Roller brush complete red BR 45/40 (4.762-392.0)

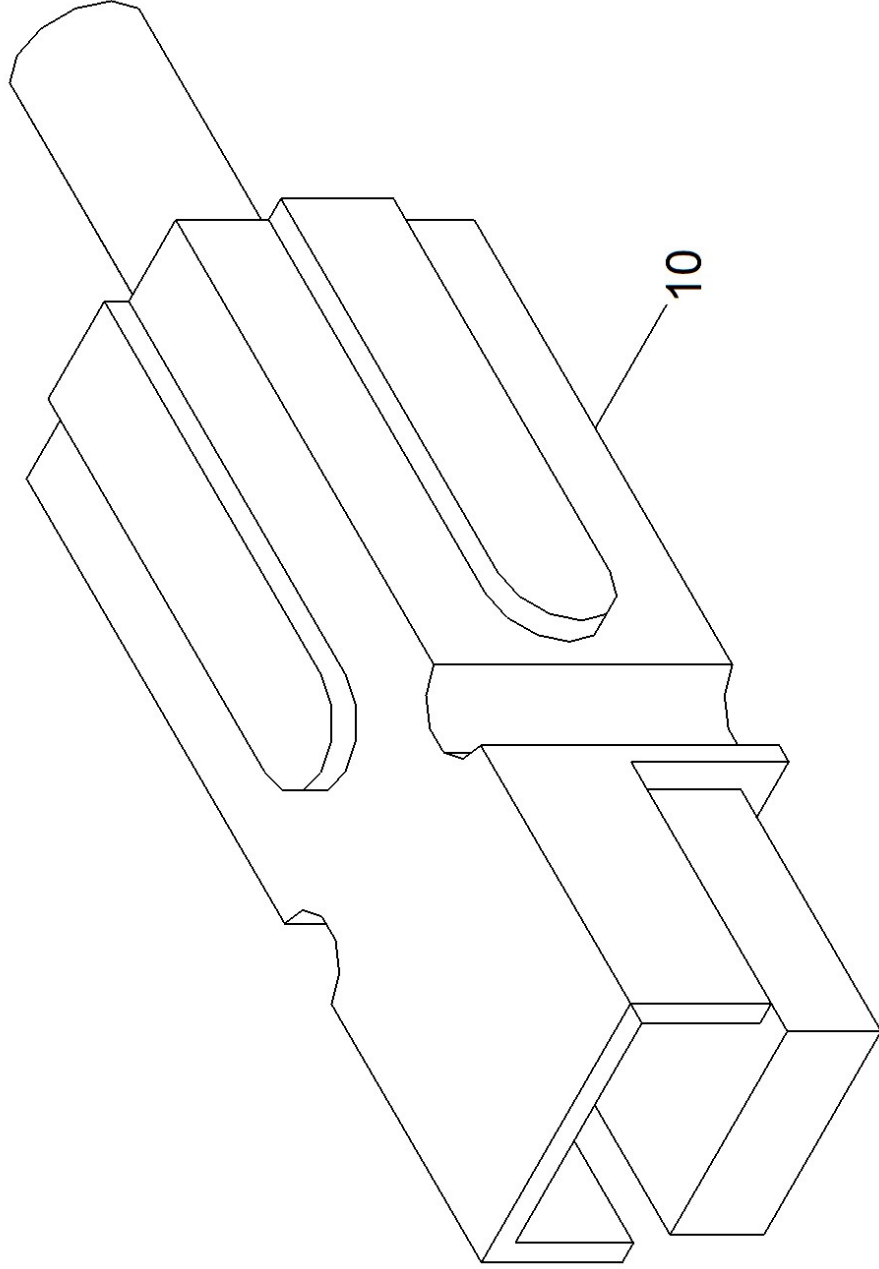
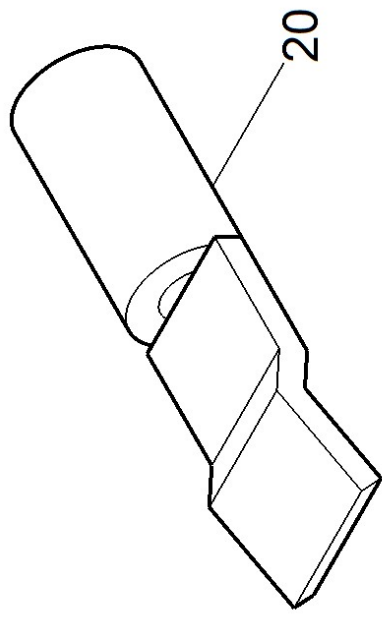
POS	Article no.	Description	Quantity	Unit
10	5.033-673.0	Thread deflector	1	PC





62 Set plug complete rot, 75A , Q-6mm<sup>2</sup> (6.646-034.0)

POS	Article no.	Description	Quantity	Unit
10	6.643-043.0	Plug housing red 75 A	1	PC
20	6.646-979.0	Switch contact 6 mm <sup>2</sup>	1	PC

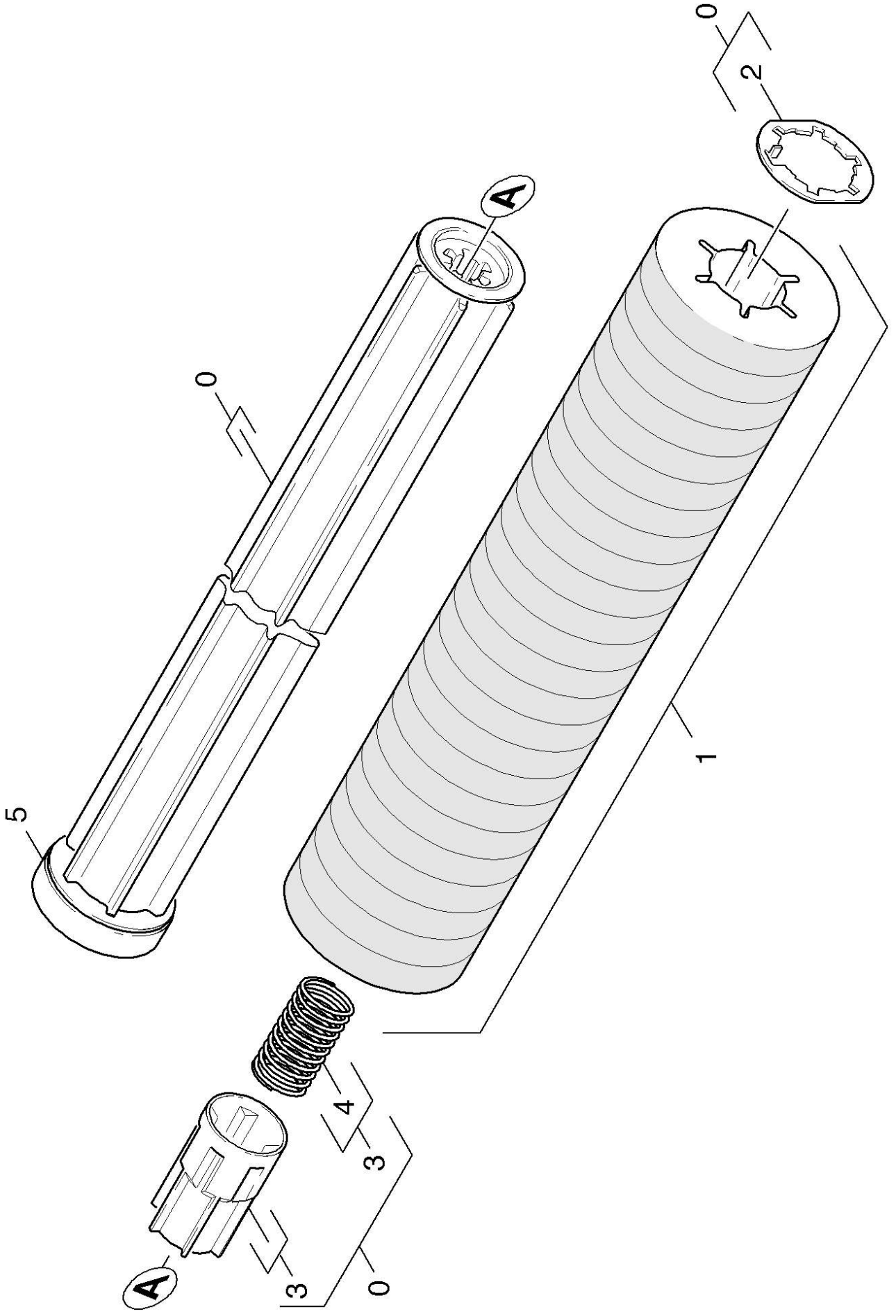


63 Set plug complete blau , 75A , Q-6mm<sup>2</sup> (6.646-033.0)

POS	Article no.	Description	Quantity	Unit
10	6.643-045.0	Plug housing blue 75 A	1	PC
20	6.646-979.0	Switch contact 6 mm <sup>2</sup>	1	PC

68 Tension roller D = 33,5 (4.250-083.0)

POS	Article no.	Description	Quantity	Unit
10	6.401-363.0	Ball bearing	2	PC



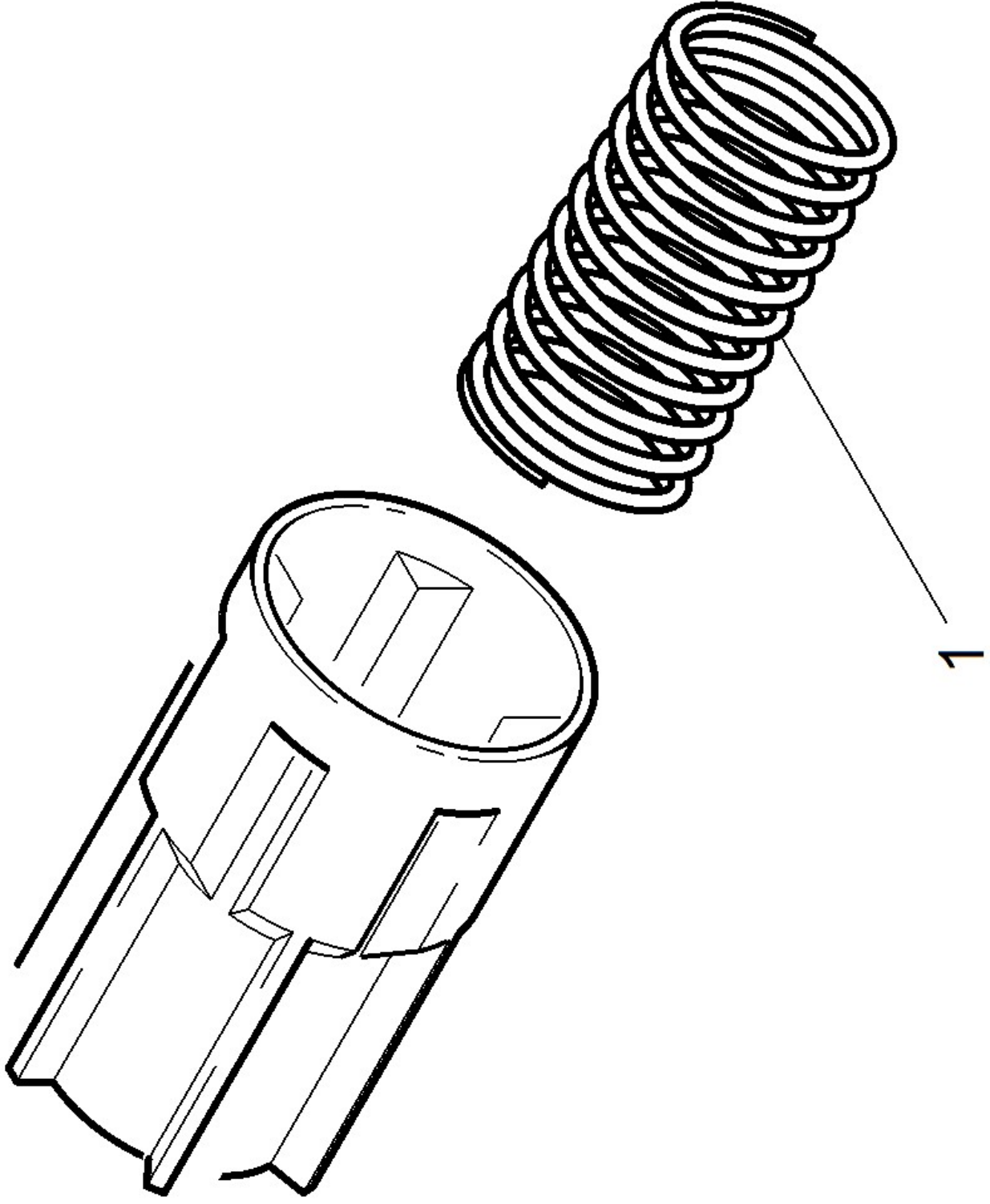
20 Roll pad

POS	Article no.	Description	Quantity	Unit	Remark
0	4.762-413.0	Roll Pad BR45	1	PC	
1	4.114-009.0	Micro-fibre roll complete BR 45/40	1	PC	
1	4.114-011.0	Roll stripping 450mm	1	PC	
1	6.367-105.0	Pad yellow with sleeve BR 45/40	1	ZSA	BR 55/40
1	6.367-106.0	Pad green with sleeve BR 45/40	1	ZSA	BR 55/40
1	6.367-107.0	Pad red with sleeve BR 45/40	1	ZSA	BR 55/40
1	6.367-108.0	Pad white with sleeve BR 45/40	1	ZSA	BR 55/40
2	4.115-003.0	Washer closure	1	PC	
3	5.120-313.0	Hub pad roll BR VS	1	PC	
4	5.332-469.0	Helical spring	1	PC	
5	4.038-677.0	Sheet metal component thread deflector	1	PC	

1 Micro-fibre roll complete BR 45/40 (4.114-009.0)

POS	Description	Quantity	Unit
10	Carrier micro-fibre	2	PC
20	Sleeve micro-fibre	0,112	ZST





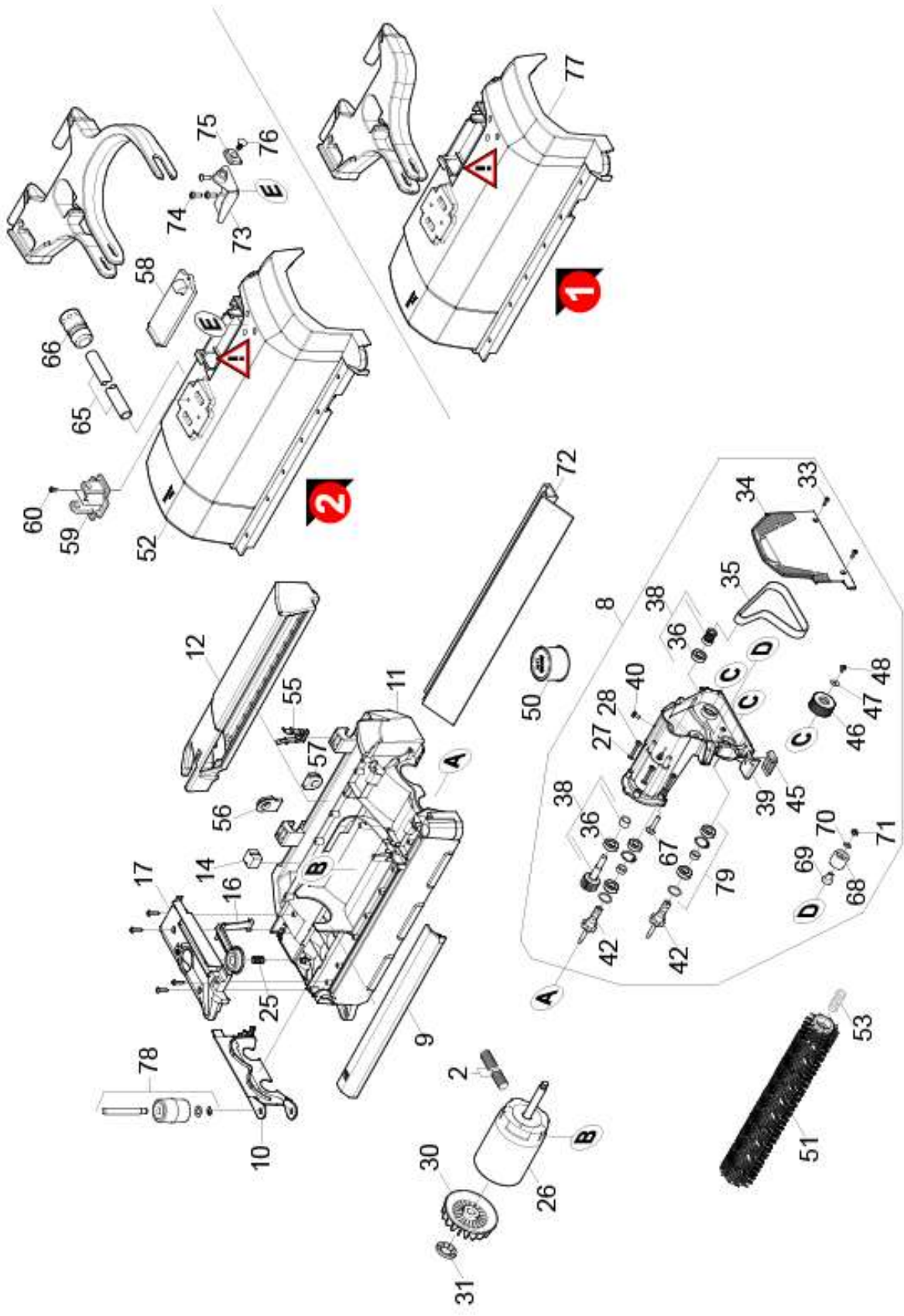
3 Hub pad roll BR VS (5.120-313.0)

POS	Article no.	Description	Quantity	Unit
1	5.332-469.0	Helical spring	1	PC

1060 Brush-head R 45 Ep 230V

---

POS	Description	Quantity	Unit
10	Power brush synchronous run BR	1	PC
20	Roll pad	1	PC

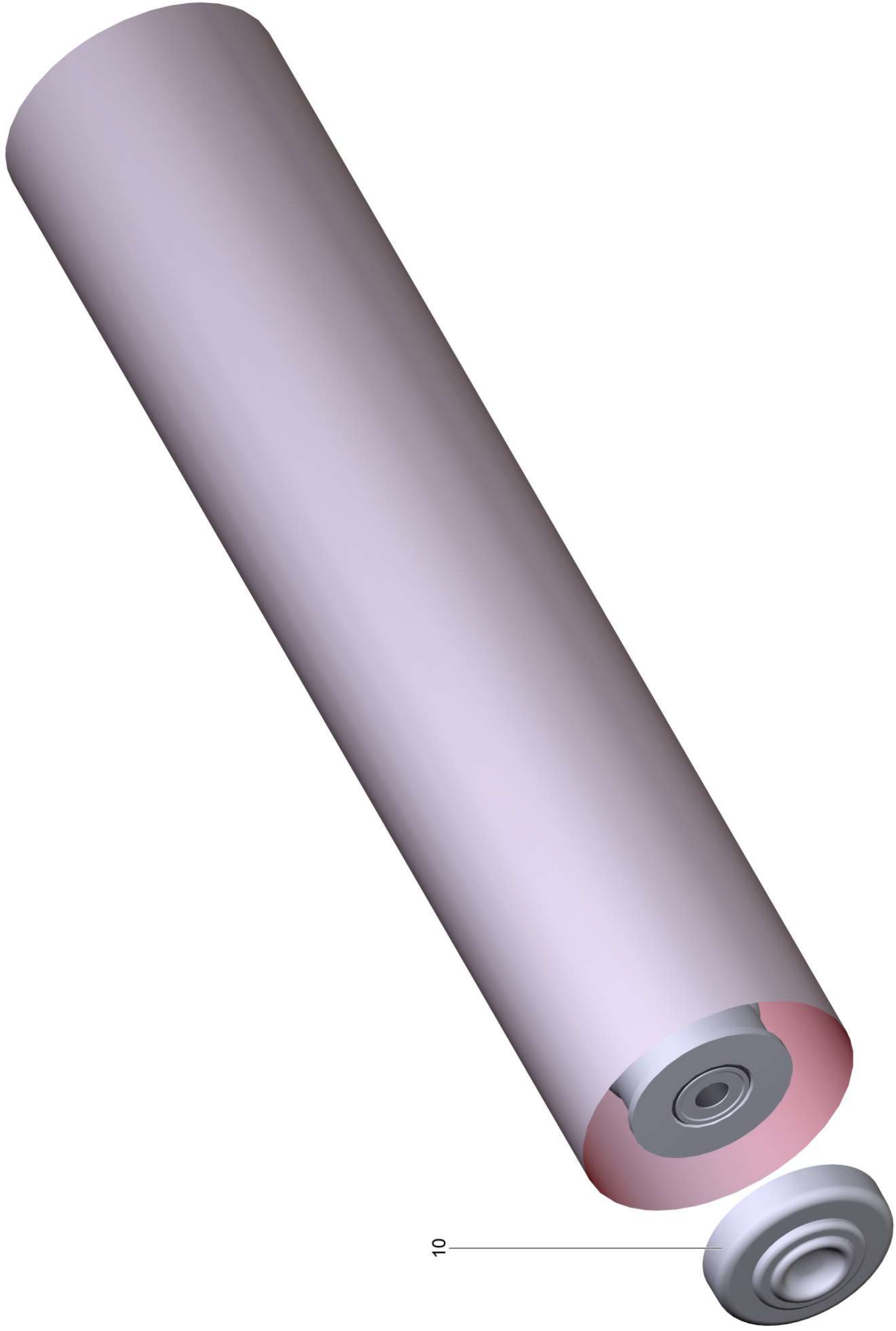


10 Power brush synchronous run BR

POS	Article no.	Description	Quantity	Unit	Remark	Foot note text
2	6.435-873.0	Piece of tube	1	PC		
8	4.035-502.0	Gear complete synchronous run	1	PC		
9	5.035-402.0	Strip water distributor R 45	1	PC		
10	5.035-393.0	Brushes retainer	1	PC		
11	5.035-387.0	Housing bottom part R 45	1	PC		
12	5.035-396.0	Sweep tank R 45	1	PC		
14	5.035-447.0	Plug	1	PC		
16	5.035-458.0	Brushes locking part	1	PC		
17	5.035-405.0	Housing top part locking part	1	PC		
18	7.303-113.0	Screw 6x25 -10.9-R2R (In6Rd)	8	PC		
25	6.330-450.0	Pressure spring	1	PC		
26	4.035-417.0	Motor replacement	1	PC	230 V	
27	7.312-026.0	Washer 6 -A2 ISO 7089	4	PC		
28	7.306-196.0	Screw M 6x30-A2-70 (IN6RD)	4	PC		
30	6.612-764.0	Blower wheel	1	PC		
31	6.343-149.0	Quick-fastener	1	PC		
33	7.303-038.0	Screw M5x12 -St-P2R (In6Rd)	2	PC		
34	5.035-385.0	Cover gear	1	PC		
35	4.035-425.0	Toothed belt replacement	1	PC		
36	7.401-115.0	Ball bearing 6002-2RS -WAEZLAGST DIN 62	2	PC		
38	4.035-423.0	Shaft replacement synchronous run	1	PC		
39	5.035-384.0	Carrier motor worked R	1	PC		
40	7.306-089.0	Screw M6x12 -8.8-R2R (In6Rd)	1	PC		
42	5.101-104.0	Driveshaft	2	PC		
45	5.056-010.0	Rocker BR-VS	1	PC		
46	5.625-507.0	Belt pulley 56Z	2	PC		
47	7.312-276.0	Washer 6 -200HV-A2E ISO7093-1	2	PC		
48	6.304-180.0	Screw M6X12-A2/70-ISO7045 (IN6RD)	2	PC		
50	6.288-095.0	Viscous oil	1	PC		
51	4.762-392.0	Roller brush complete red BR 45/40	2	PC		
51	4.762-405.0	Roller brush complete white BR 45/40	2	PC		
51	4.762-406.0	Roller brush complete orange BR 45/40	2	PC		

## 10 Power brush synchronous run BR

POS	Article no.	Description	Quantity	Unit	Remark	Foot note text
51	4.762-407.0	Roller brush complete green BR 45/40	2	PC		
51	4.762-408.0	Roller brush complete black BR 45/40	2	PC		
52	5.035-388.0	Housing top part R 45	1	PC		
53	5.332-114.0	Helical spring	1	PC		
55	5.035-424.0	Snap-fit	2	PC		
56	5.035-448.0	Wire protecting sleeve	1	PC		
57	6.648-064.0	Cable bushing	1	PC		
58	5.035-386.0	Cover electric box	1	PC		
59	5.035-604.0	Suspension seal brush-head BD	1	PC		
60	7.303-038.0	Screw M5x12 -St-P2R (In6Rd)	2	PC		
65	6.390-892.0	Spiral hose NW12	1	m		TO ORDER AS CUT GOODS
66	2.645-191.0	Hose coupling entry Universal	1	PC		
67	7.303-186.0	Saucer-head screw M8x40 -St-A0P DIN 603	1	PC		
68	4.250-083.0	Tension roller D = 33,5	1	PC		
69	5.110-700.0	Sleeve	1	PC		
70	7.312-017.0	Washer 8-A2 ISO 7089	1	PC		
71	7.311-427.0	Hexagon nut M8 -04-AZE DIN 985	1	PC		
72	5.035-398.0	Rubberlip synchronous run R 45	1	PC		
73	5.035-782.0	Suspension brush-head R	1	PC		VERSION 2
74	7.303-112.0	Screw 6x20 -10.9-R2R (In6Rd)	3	PC		VERSION 2
75	5.035-673.0	Sliding shoe	1	PC		VERSION 2
76	6.343-261.0	Quick-fastener	1	PC		VERSION 2
77	2.882-736.0	Conversion kit R45-Kopf B40	1	PC	R55	VERSION 1
78	4.035-610.0	Set deflector roll	1	PC		
79	4.035-611.0	Set transmission power brush	2	PC		



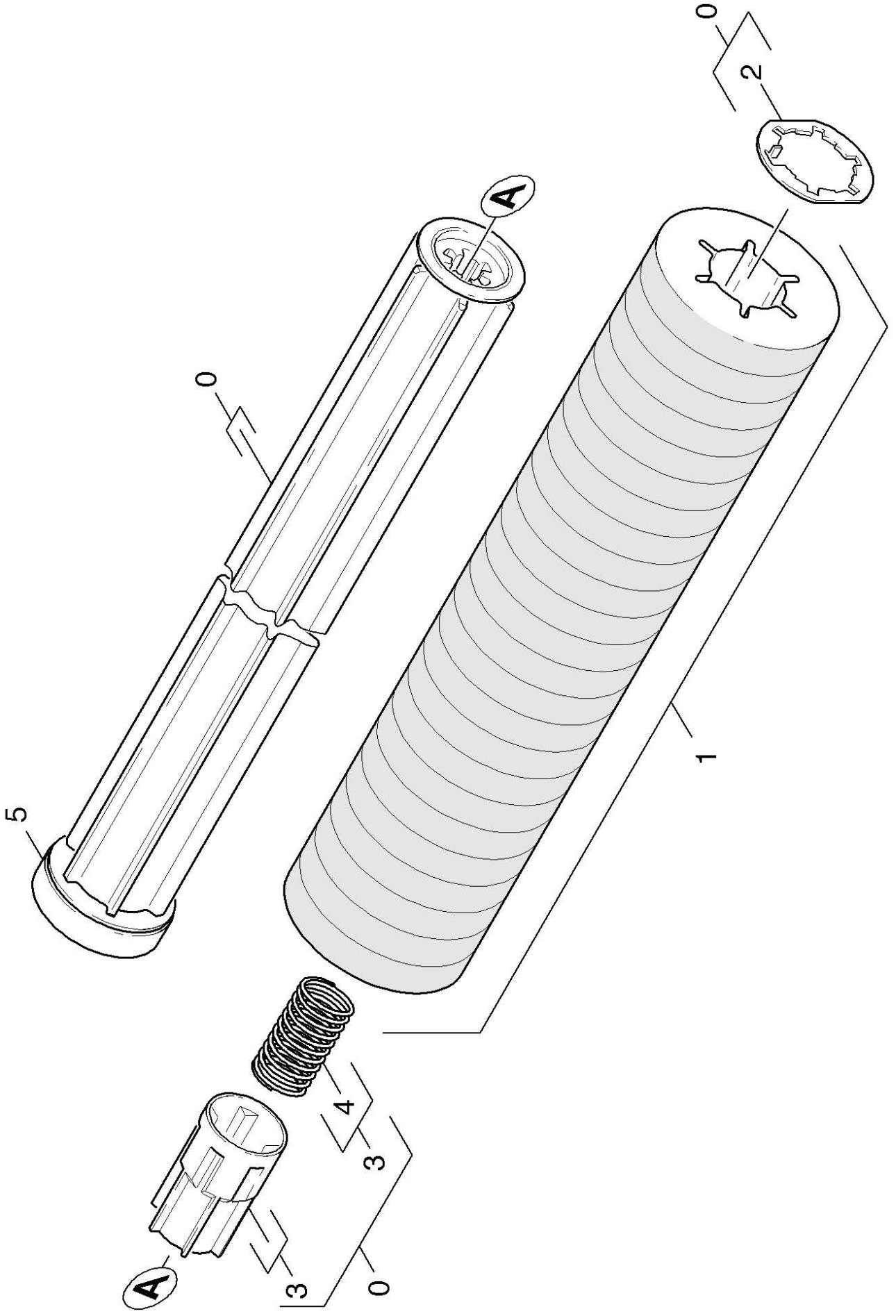
51 Roller brush complete red BR 45/40 (4.762-392.0)

POS	Article no.	Description	Quantity	Unit
10	5.033-673.0	Thread deflector	1	PC



68 Tension roller D = 33,5 (4.250-083.0)

POS	Article no.	Description	Quantity	Unit
10	6.401-363.0	Ball bearing	2	PC

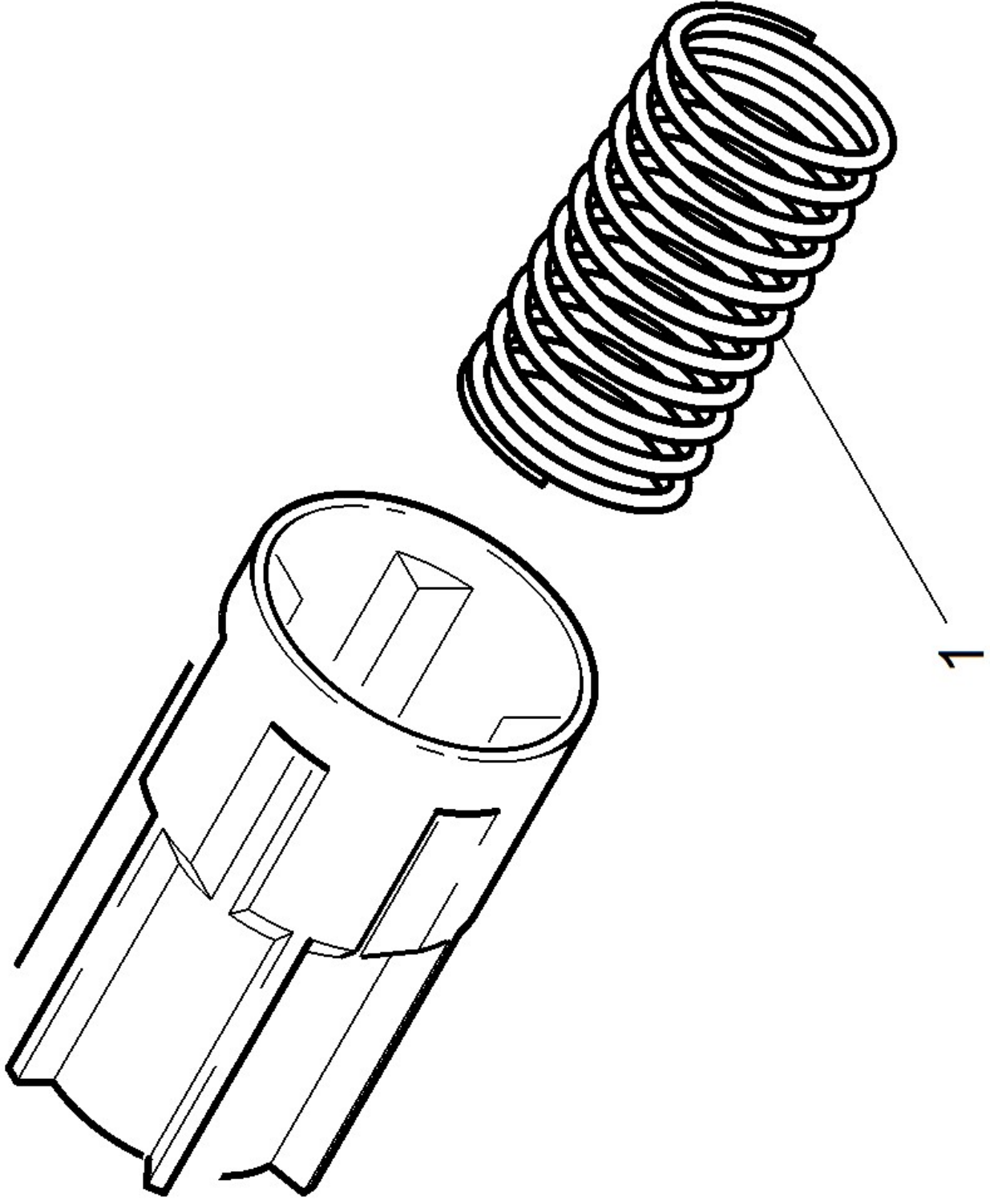


20 Roll pad

POS	Article no.	Description	Quantity	Unit	Remark
0	4.762-413.0	Roll Pad BR45	1	PC	
1	4.114-009.0	Micro-fibre roll complete BR 45/40	1	PC	
1	4.114-011.0	Roll stripping 450mm	1	PC	
1	6.367-105.0	Pad yellow with sleeve BR 45/40	1	ZSA	BR 55/40
1	6.367-106.0	Pad green with sleeve BR 45/40	1	ZSA	BR 55/40
1	6.367-107.0	Pad red with sleeve BR 45/40	1	ZSA	BR 55/40
1	6.367-108.0	Pad white with sleeve BR 45/40	1	ZSA	BR 55/40
2	4.115-003.0	Washer closure	1	PC	
3	5.120-313.0	Hub pad roll BR VS	1	PC	
4	5.332-469.0	Helical spring	1	PC	
5	4.038-677.0	Sheet metal component thread deflector	1	PC	

1 Micro-fibre roll complete BR 45/40 (4.114-009.0)

POS	Description	Quantity	Unit
10	Carrier micro-fibre	2	PC
20	Sleeve micro-fibre	0,112	ZST



3 Hub pad roll BR VS (5.120-313.0)

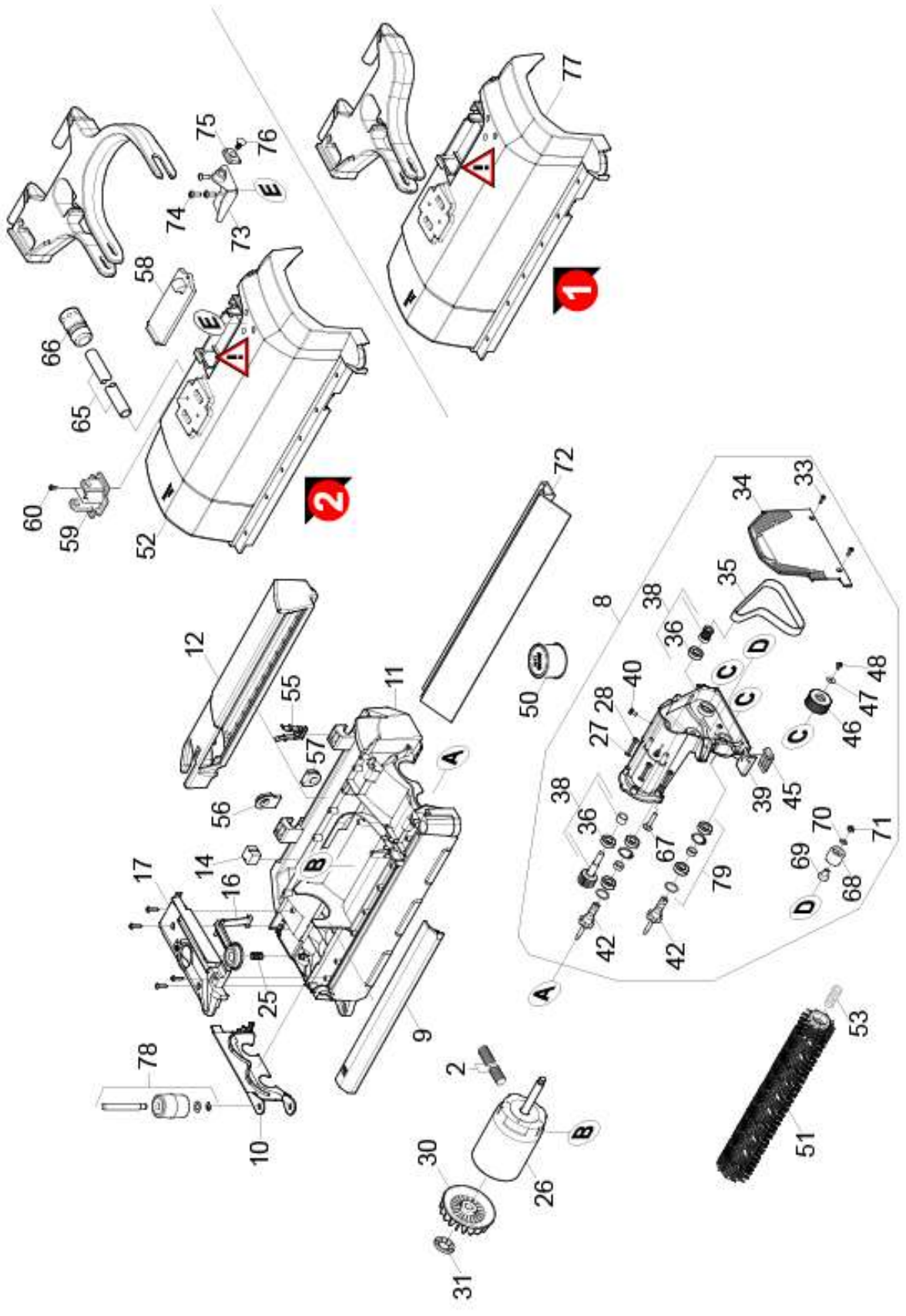
---

POS	Article no.	Description	Quantity	Unit
1	5.332-469.0	Helical spring	1	PC

1070 Brush-head R 45 Ep 120V

---

POS	Description	Quantity	Unit
10	Power brush synchronous run BR	1	PC
20	Roll pad	1	PC



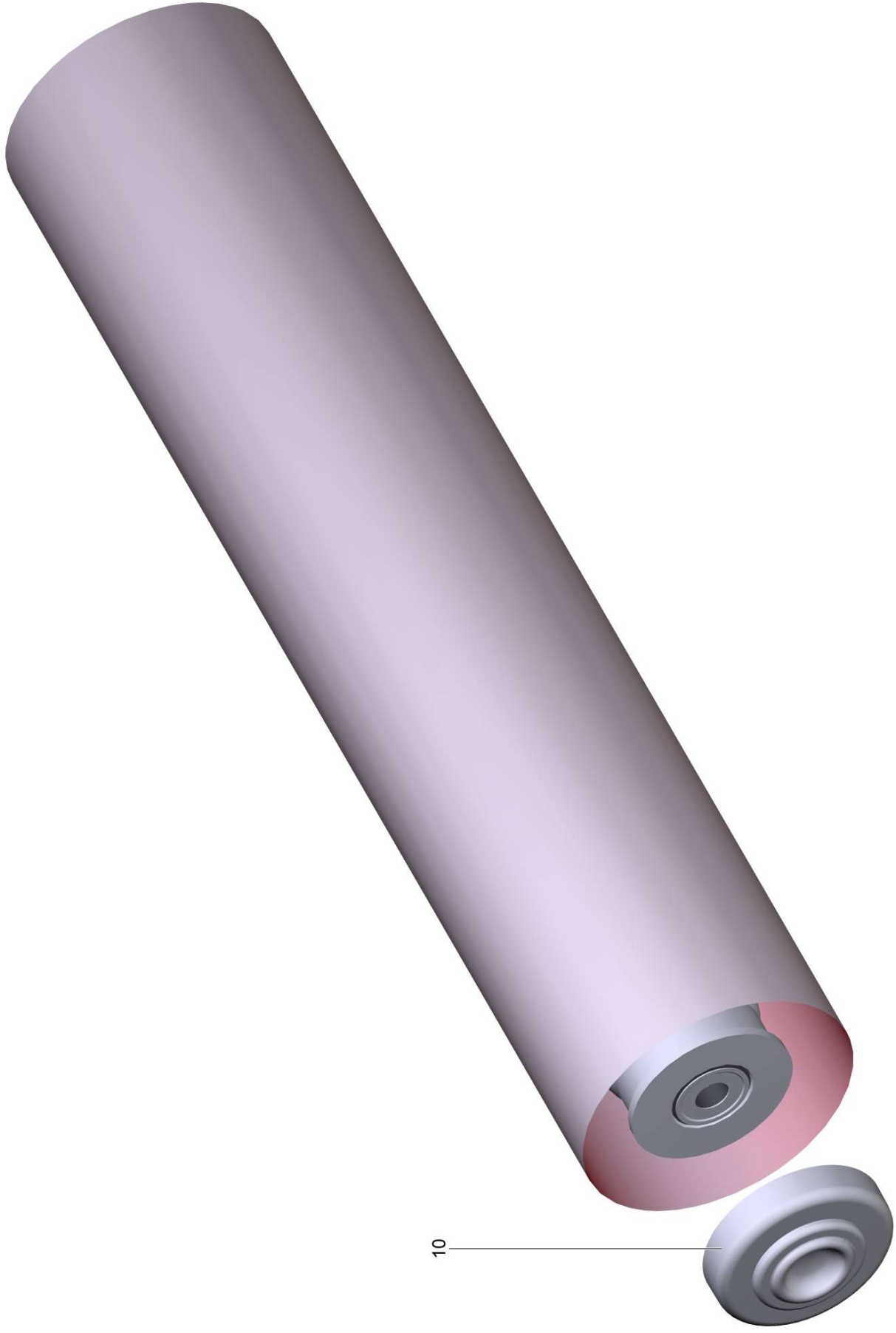


10 Power brush synchronous run BR

POS	Article no.	Description	Quantity	Unit	Remark	Foot note text
2	6.435-873.0	Piece of tube	1	PC		
8	4.035-502.0	Gear complete synchronous run	1	PC		
9	5.035-402.0	Strip water distributor R 45	1	PC		
10	5.035-393.0	Brushes retainer	1	PC		
11	5.035-387.0	Housing bottom part R 45	1	PC		
12	5.035-396.0	Sweep tank R 45	1	PC		
14	5.035-447.0	Plug	1	PC		
16	5.035-458.0	Brushes locking part	1	PC		
17	5.035-405.0	Housing top part locking part	1	PC		
18	7.303-113.0	Screw 6x25 -10.9-R2R (In6Rd)	8	PC		
25	6.330-450.0	Pressure spring	1	PC		
26	4.035-418.0	Motor replacement	1	PC	120 V	
27	7.312-026.0	Washer 6 -A2 ISO 7089	4	PC		
28	7.306-196.0	Screw M 6x30-A2-70 (IN6RD)	4	PC		
30	6.612-764.0	Blower wheel	1	PC		
31	6.343-149.0	Quick-fastener	1	PC		
33	7.303-038.0	Screw M5x12 -St-P2R (In6Rd)	2	PC		
34	5.035-385.0	Cover gear	1	PC		
35	4.035-425.0	Toothed belt replacement	1	PC		
36	7.401-115.0	Ball bearing 6002-2RS -WAEZLAGST DIN 62	2	PC		
38	4.035-423.0	Shaft replacement synchronous run	1	PC		
39	5.035-384.0	Carrier motor worked R	1	PC		
40	7.306-089.0	Screw M6x12 -8.8-R2R (In6Rd)	1	PC		
42	5.101-104.0	Driveshaft	2	PC		
45	5.056-010.0	Rocker BR-VS	1	PC		
46	5.625-507.0	Belt pulley 56Z	2	PC		
47	7.312-276.0	Washer 6 -200HV-A2E ISO7093-1	2	PC		
48	6.304-180.0	Screw M6X12-A2/70-ISO7045 (IN6RD)	2	PC		
50	6.288-095.0	Viscous oil	1	PC		
51	4.762-392.0	Roller brush complete red BR 45/40	2	PC		
51	4.762-405.0	Roller brush complete white BR 45/40	2	PC		
51	4.762-406.0	Roller brush complete orange BR 45/40	2	PC		

## 10 Power brush synchronous run BR

POS	Article no.	Description	Quantity	Unit	Remark	Foot note text
51	4.762-407.0	Roller brush complete green BR 45/40	2	PC		
51	4.762-408.0	Roller brush complete black BR 45/40	2	PC		
52	5.035-388.0	Housing top part R 45	1	PC		
53	5.332-114.0	Helical spring	1	PC		
55	5.035-424.0	Snap-fit	2	PC		
56	5.035-448.0	Wire protecting sleeve	1	PC		
57	6.648-064.0	Cable bushing	1	PC		
58	5.035-386.0	Cover electric box	1	PC		
59	5.035-604.0	Suspension seal brush-head BD	1	PC		
60	7.303-038.0	Screw M5x12 -St-P2R (In6Rd)	2	PC		
65	6.390-892.0	Spiral hose NW12	1	m		TO ORDER AS CUT GOODS
66	2.645-191.0	Hose coupling entry Universal	1	PC		
67	7.303-186.0	Saucer-head screw M8x40 -St-A0P DIN 603	1	PC		
68	4.250-083.0	Tension roller D = 33,5	1	PC		
69	5.110-700.0	Sleeve	1	PC		
70	7.312-017.0	Washer 8-A2 ISO 7089	1	PC		
71	7.311-427.0	Hexagon nut M8 -04-AZE DIN 985	1	PC		
72	5.035-398.0	Rubberlip synchronous run R 45	1	PC		
73	5.035-782.0	Suspension brush-head R	1	PC		VERSION 2
74	7.303-112.0	Screw 6x20 -10.9-R2R (In6Rd)	3	PC		VERSION 2
75	5.035-673.0	Sliding shoe	1	PC		VERSION 2
76	6.343-261.0	Quick-fastener	1	PC		VERSION 2
77	2.882-736.0	Conversion kit R45-Kopf B40	1	PC	R55	VERSION 1
78	4.035-610.0	Set deflector roll	1	PC		
79	4.035-611.0	Set transmission power brush	2	PC		



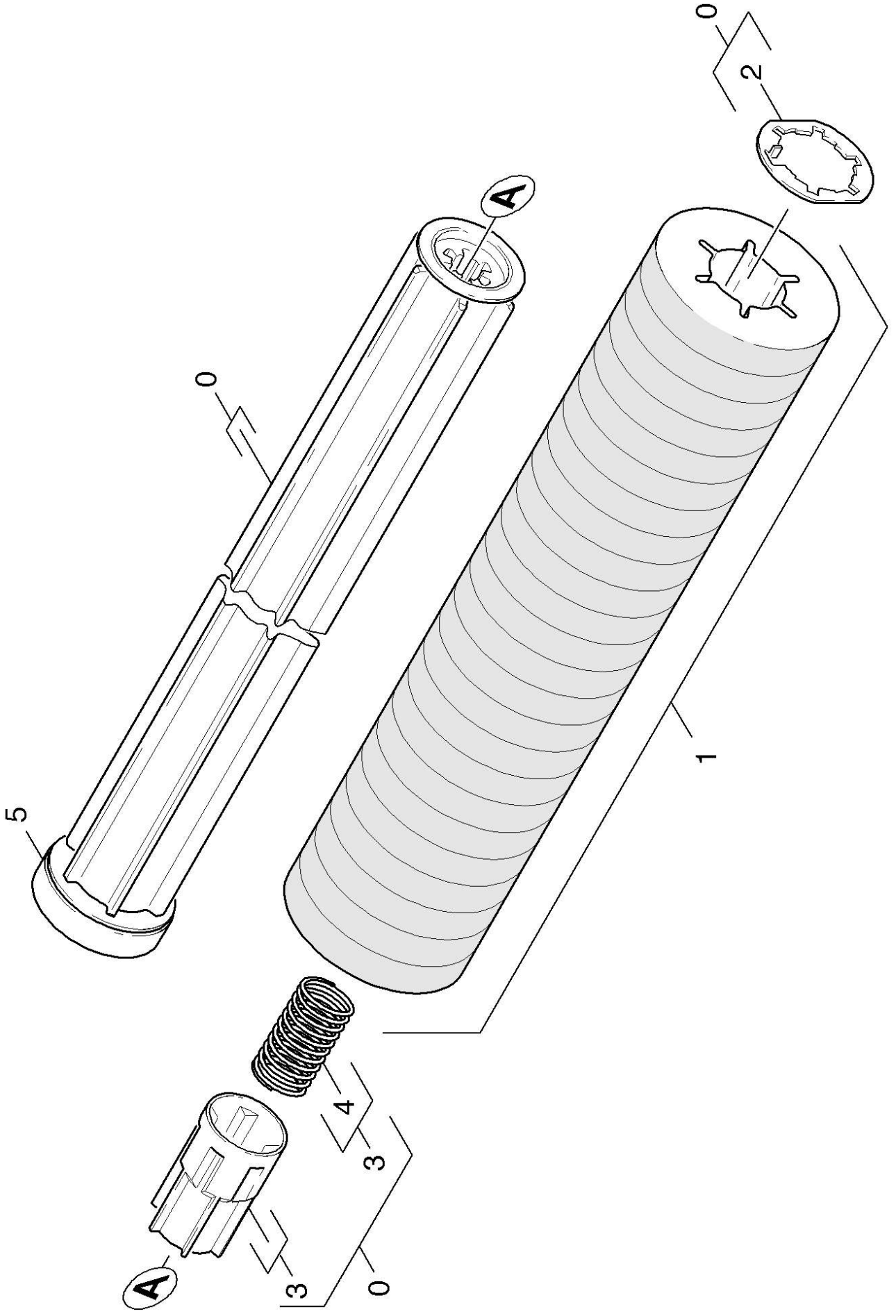
10

51 Roller brush complete red BR 45/40 (4.762-392.0)

POS	Article no.	Description	Quantity	Unit
10	5.033-673.0	Thread deflector	1	PC

68 Tension roller D = 33,5 (4.250-083.0)

POS	Article no.	Description	Quantity	Unit
10	6.401-363.0	Ball bearing	2	PC



20 Roll pad

POS	Article no.	Description	Quantity	Unit	Remark
0	4.762-413.0	Roll Pad BR45	1	PC	
1	4.114-009.0	Micro-fibre roll complete BR 45/40	1	PC	
1	4.114-011.0	Roll stripping 450mm	1	PC	
1	6.367-105.0	Pad yellow with sleeve BR 45/40	1	ZSA	BR 55/40
1	6.367-106.0	Pad green with sleeve BR 45/40	1	ZSA	BR 55/40
1	6.367-107.0	Pad red with sleeve BR 45/40	1	ZSA	BR 55/40
1	6.367-108.0	Pad white with sleeve BR 45/40	1	ZSA	BR 55/40
2	4.115-003.0	Washer closure	1	PC	
3	5.120-313.0	Hub pad roll BR VS	1	PC	
4	5.332-469.0	Helical spring	1	PC	
5	4.038-677.0	Sheet metal component thread deflector	1	PC	

1 Micro-fibre roll complete BR 45/40 (4.114-009.0)

POS	Description	Quantity	Unit
10	Carrier micro-fibre	2	PC
20	Sleeve micro-fibre	0,112	ZST