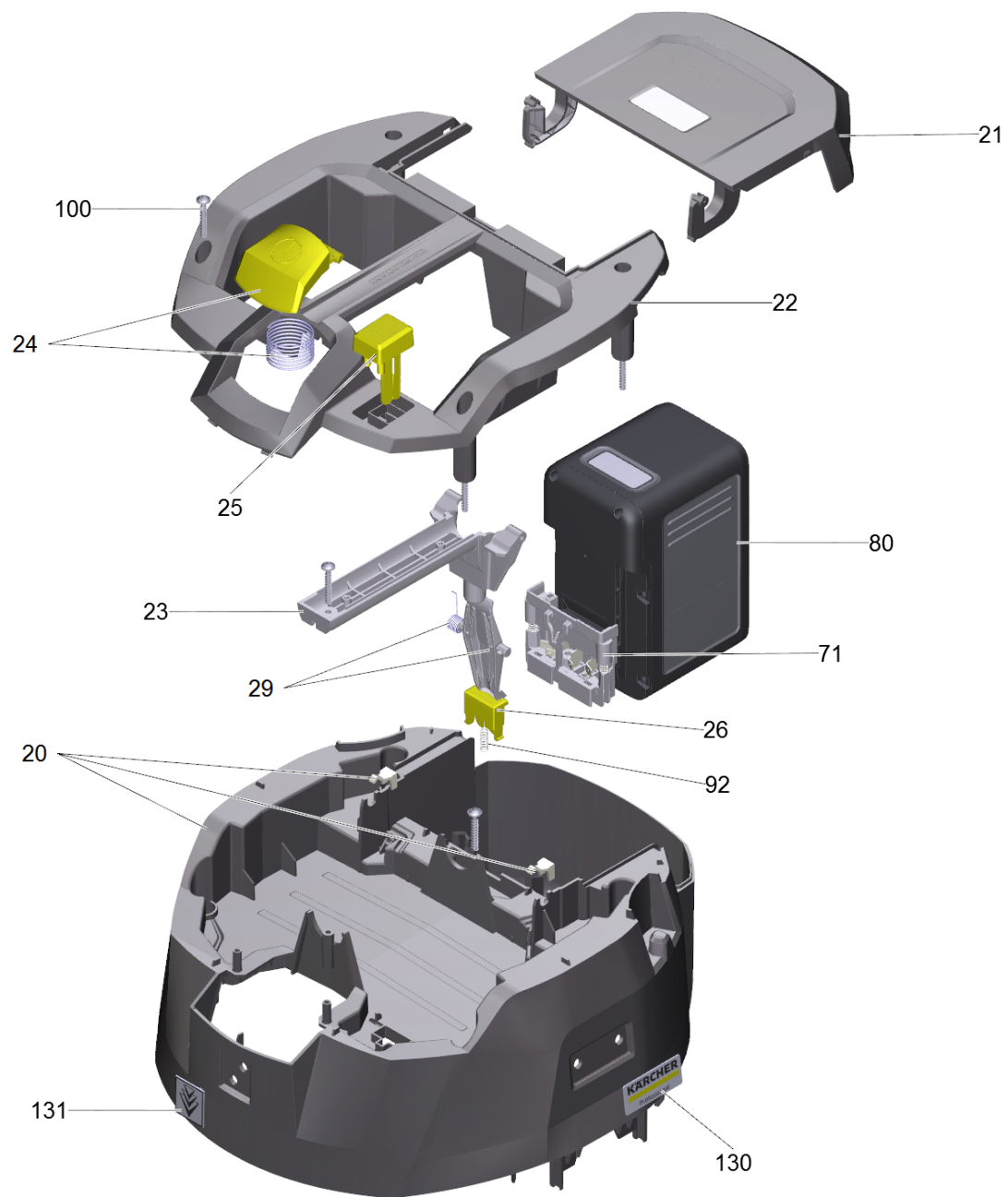


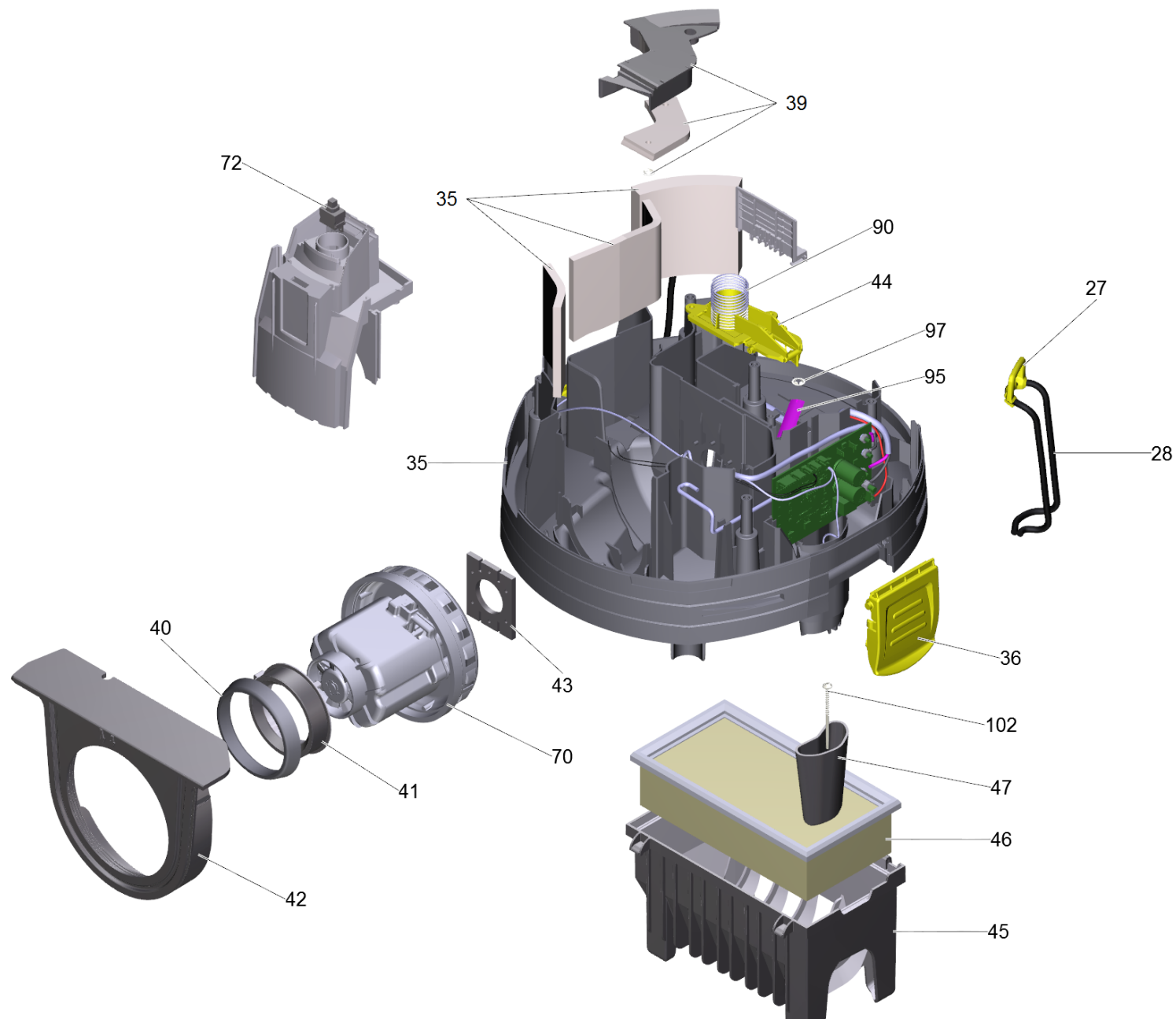
Spare parts list

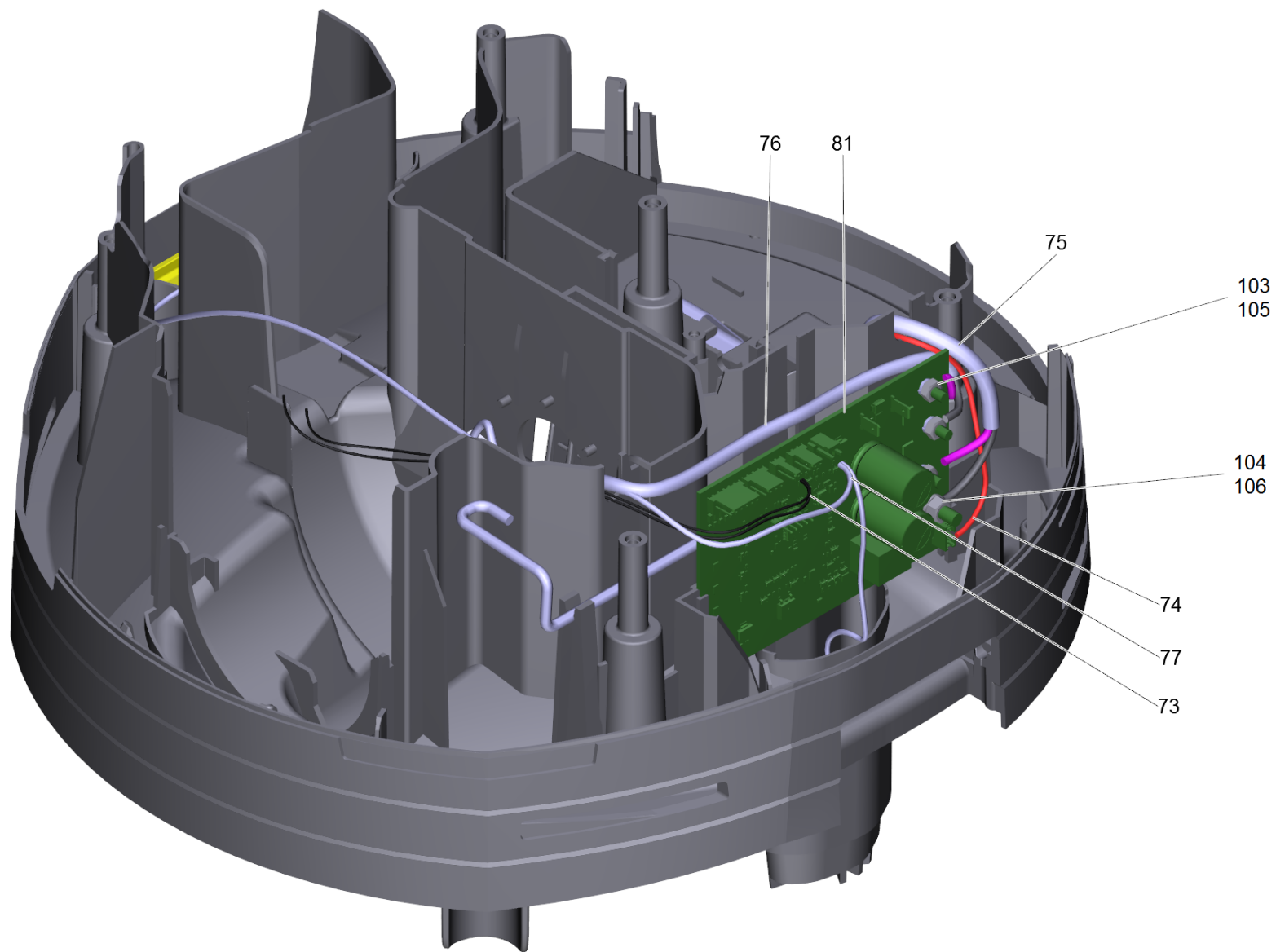
(1.528-130.0) NT 22/1 Ap Bp L

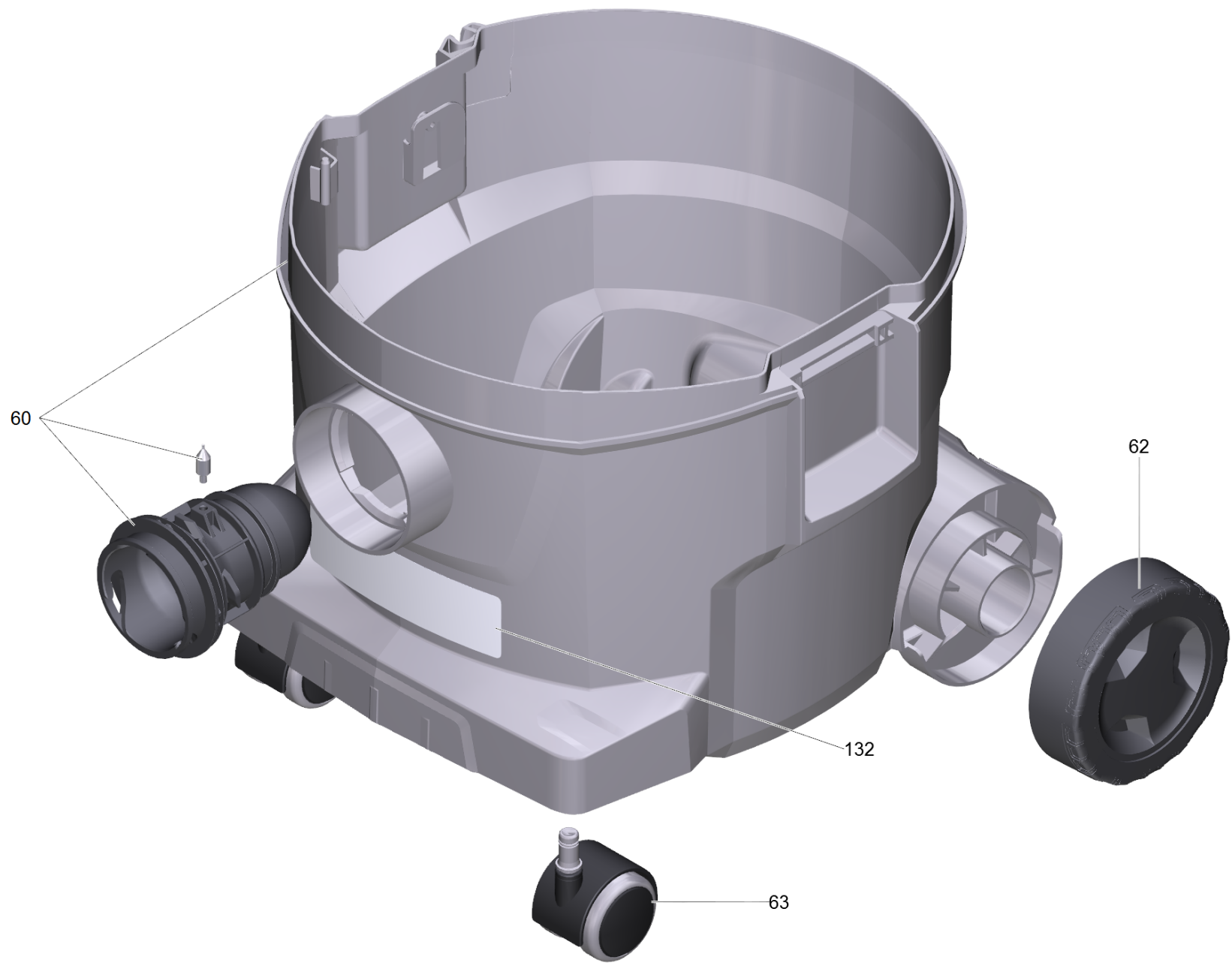
Table of contents

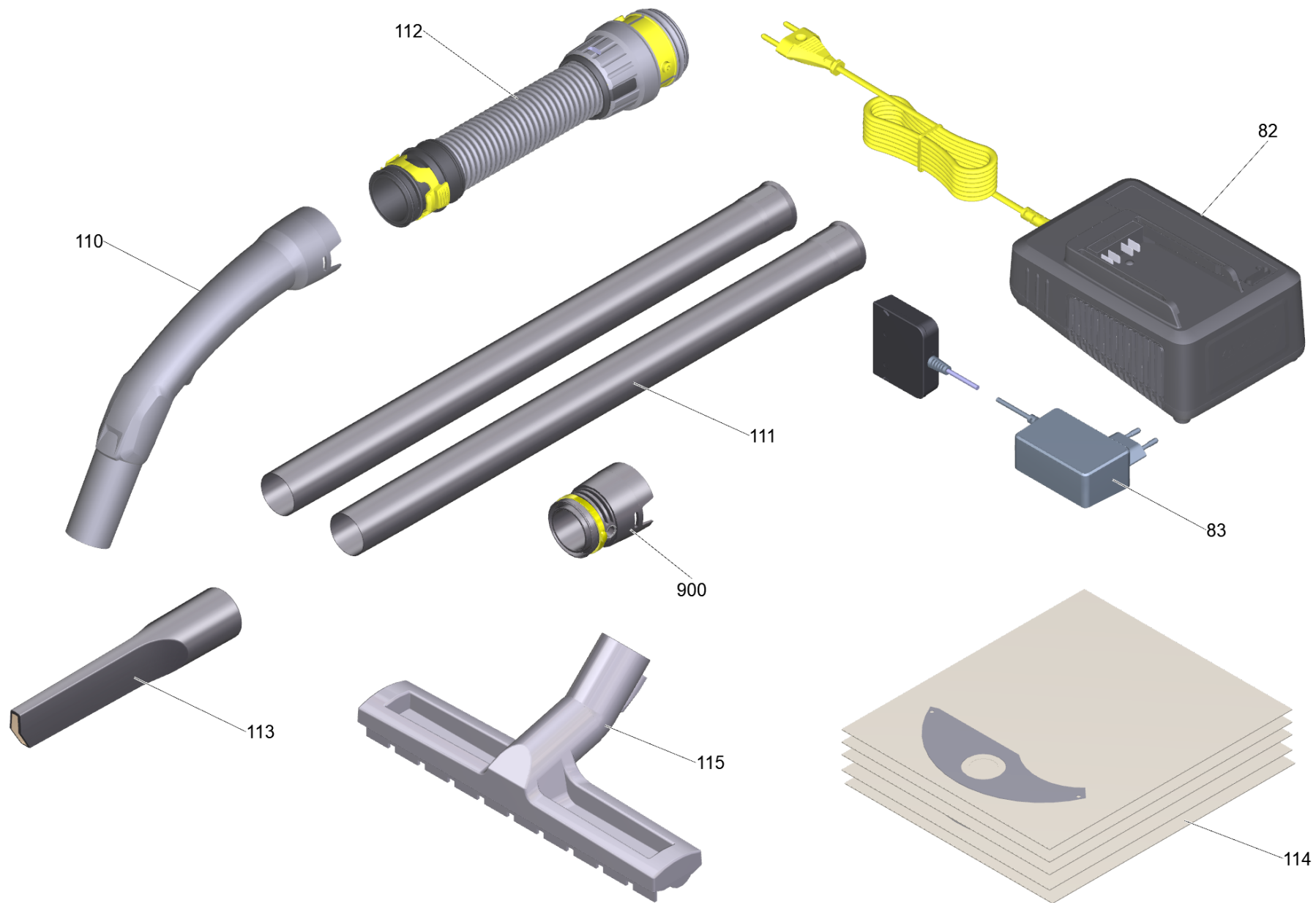
NT 22/1 Ap Bp L (1.528-130.0)	3
20 Set cover for replacement NT22 Bp (4.071-600.0)	10
35 Set base plate for replacement NT22 Bp (4.071-601.0)	12
39 Set canal exhaust air (4.071-602.0)	14
60 Set box NT 22/1 Bp (4.071-603.0)	16
112 Suction hose NT DN35 1.9m (4.440-085.3)	18
10 Repair set NW35 (2.889-149.0)	19
115 Floor tool packaged grey DN 35 300mm (2.889-263.0)	21
900 Adapter old packaged NW35 (2.889-312.0)	23





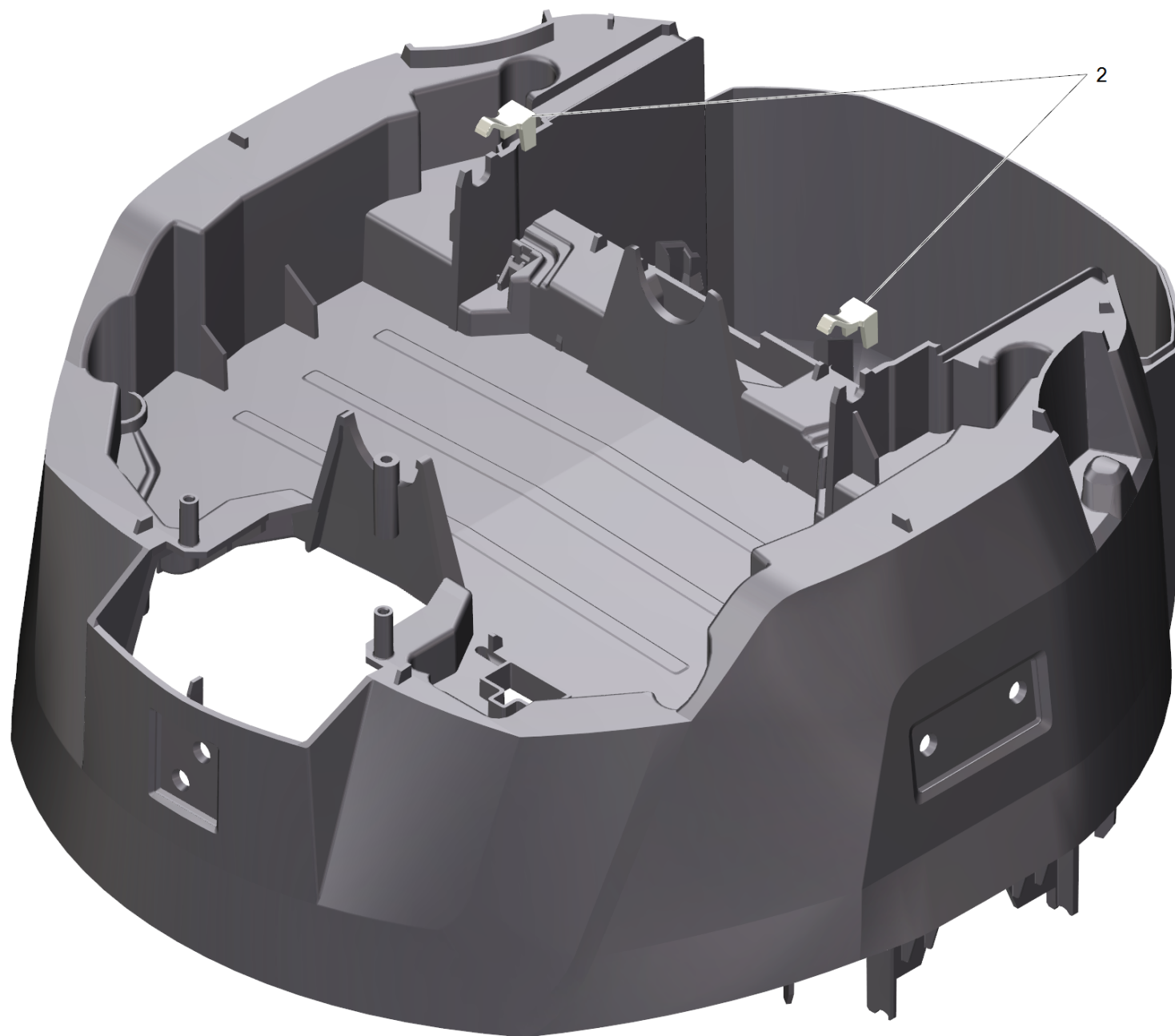






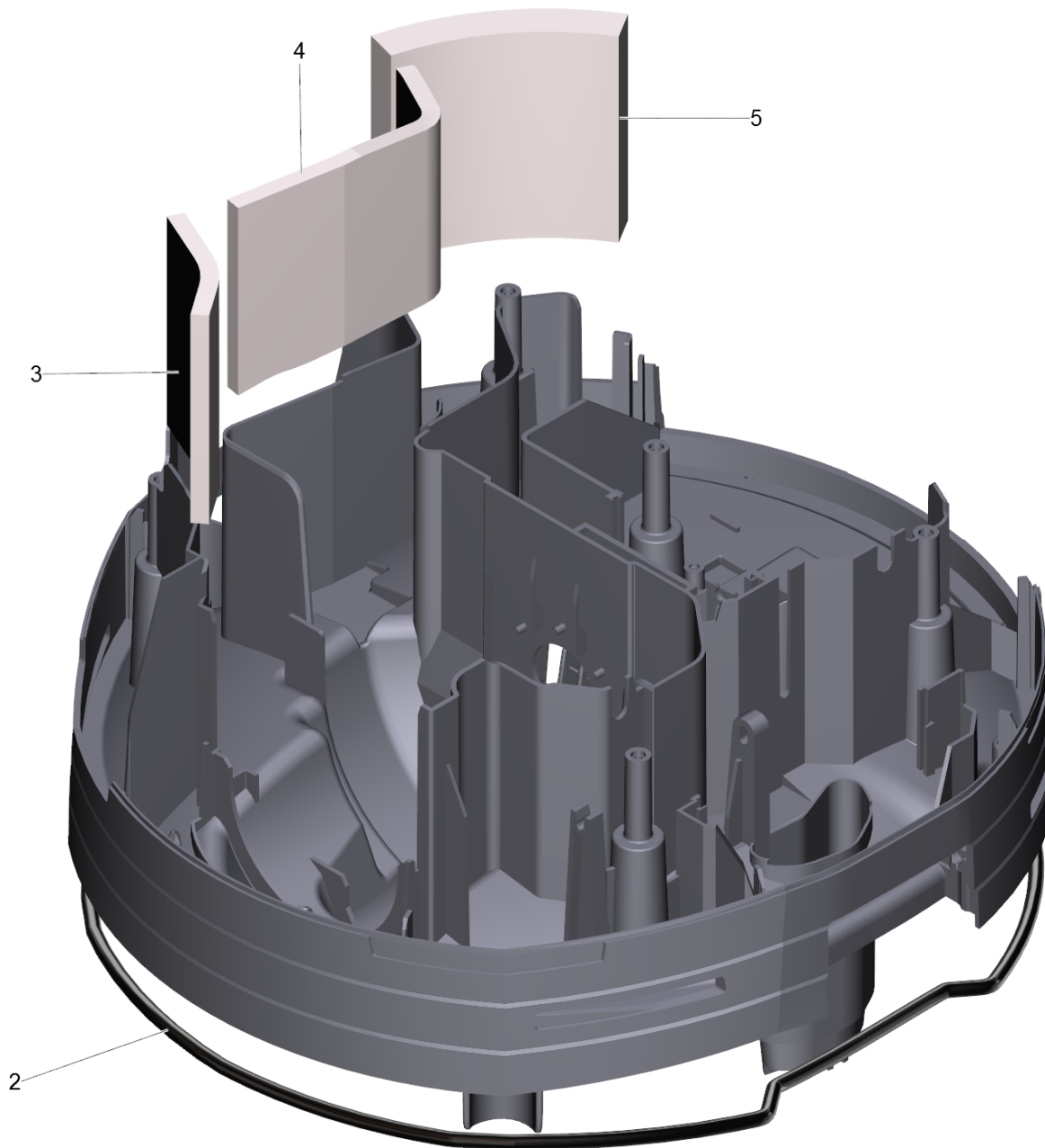
POS	Article no.	Description	Quantity	Unit
20	4.071-600.0	Set cover for replacement NT22 Bp	1	PC
21	5.069-549.0	Cover plate battery NT22 Bp	1	PC
22	5.322-302.3	Handle cover for replacement NT22 Bp	1	PC
23	5.322-303.0	Handhold bottom NT22 Bp	1	PC
24	4.324-026.0	Pushbutton complete	1	PC
25	5.324-188.0	Pushbutton dedusting	1	PC
26	5.324-203.0	Unlocking button battery	1	PC
27	5.034-294.0	Handle rope	2	PC
28	6.907-675.0	Loop	2	PC
29	4.071-599.0	Lock element battery	1	PC
35	4.071-601.0	Set base plate for replacement NT22 Bp	1	PC
36	5.034-021.0	Strap closure RAL 1018	2	PC
39	4.071-602.0	Set canal exhaust air	1	PC
40	5.363-825.0	Seal vacuum motor above	1	PC
41	5.053-012.0	Ring adapter Cinderson	1	PC
42	5.363-277.0	Seal vacuum motor center	1	PC
43	5.363-348.0	Seal motor bottom	1	PC
44	5.036-255.0	Flap dedusting NT22/1 Ap Bp Pack L	1	PC
45	5.731-058.0	Filter cassette	1	PC
46	6.904-156.0	Flat-pleated filter packaged cellulose	1	PC
46	6.907-325.0	Flat-pleated filter neutral	1	PC
46	6.907-649.0	Flat-pleated filter packaged PES	1	PC
47	5.044-407.0	Bracket probe RAL 9005	2	PC
60	4.071-603.0	Set box NT 22/1 Bp	1	PC
62	5.515-224.0	Wheel D120	2	PC
63	6.435-420.0	Double castor	2	PC
70	6.490-343.3	Blower motor for replacement 36 V Cinderson	1	PC
71	4.051-354.3	Contact carrier ejector BP/NT	1	PC
72	6.630-396.0	Switch	1	PC
73	6.650-901.0	Cable main switch	1	PC
74	6.650-902.0	Cable battery electronics	1	PC
75	6.650-903.0	Cable battery control system	1	PC
76	6.650-842.0	Cable turbine	1	PC

POS	Article no.	Description	Quantity	Unit
77	6.650-933.0	Cable probe	1	PC
81	4.683-198.3	Control system electronics for replacement NT22/1 Bp	1	PC
90	5.332-523.0	Spring switch	2	PC
92	6.330-160.0	Pressure spring	1	PC
95	5.332-120.0	Spring hinge	2	PC
97	6.343-145.0	Lock washer 5	1	PC
100	7.303-086.0	Screw 5x30 -10.9-R2R (K-In6Rd)	6	PC
102	5.107-317.0	Probe	2	PC
103	7.311-001.0	Hexagon nut M4 -6-A2E ISO 4032	3	PC
104	7.311-002.0	Hexagon nut M5 -6-A2E ISO 4032	1	PC
105	6.645-664.0	Spring washer B 4	3	PC
106	7.313-002.0	Spring washer B 5-FSt-MZN DIN 127	1	PC
110	2.889-199.0	Elbow packaged NW35 1K	1	PC
111	5.481-110.0	Suction tube NW35,505mm,RAL 7012	2	PC
112	4.440-085.3	Suction hose NT DN35 1.9m	1	PC
113	2.889-159.0	Crevice nozzle wet and dry packaged NW35	1	PC
114	6.907-469.0	Filter bag fleece 5 Stk. Kärcher	1	PC
115	2.889-263.0	Floor tool packaged grey DN 35 300mm	1	PC
130	5.385-501.0	Label logo clipped M Professional	2	PC
131	5.385-506.0	Label signet clipped M Professional	1	PC
132	5.392-837.0	Label L-label	1	PC
900	2.889-312.0	Adapter old packaged NW35	1	PC



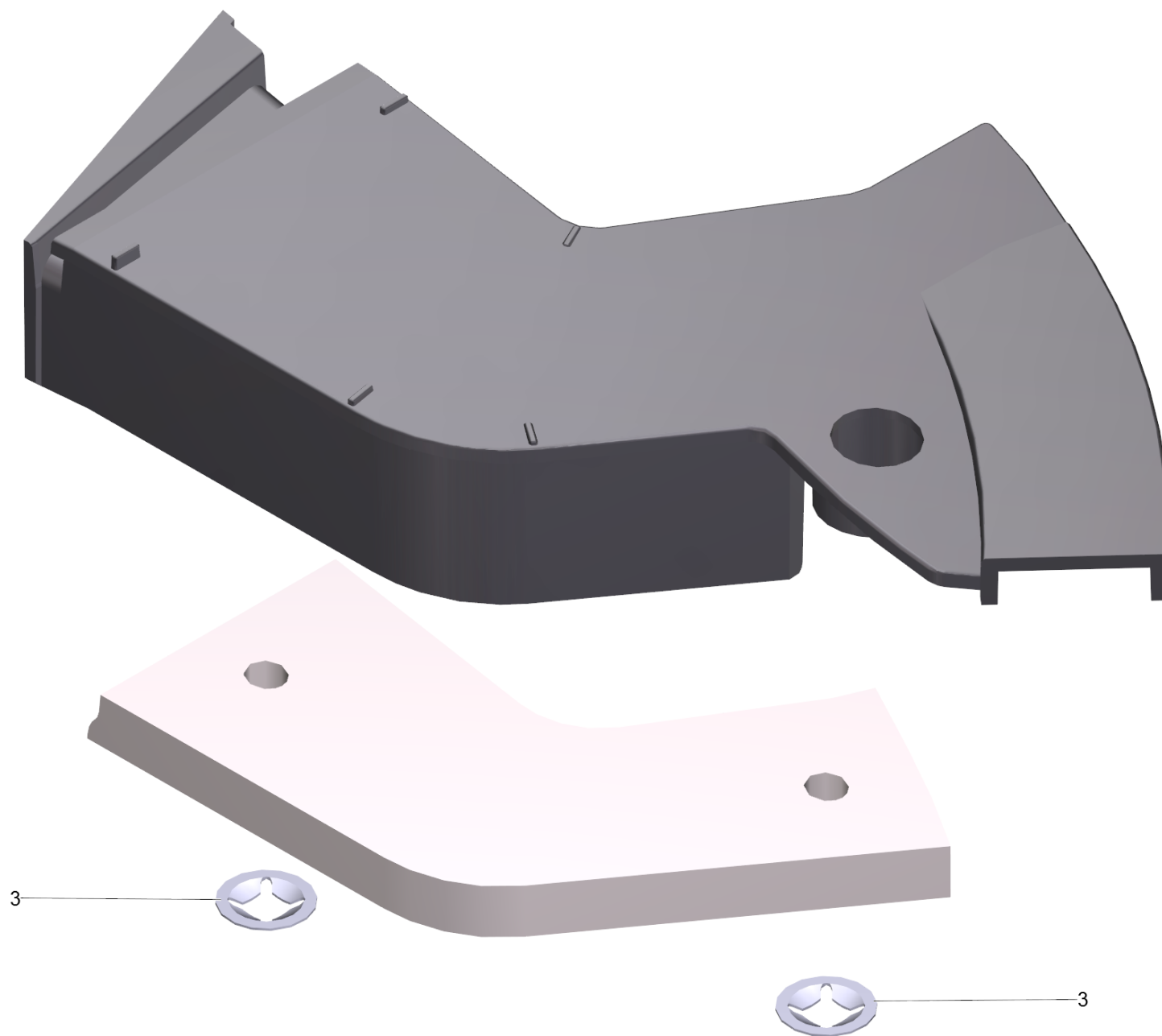
20 Set cover for replacement NT22 Bp (4.071-600.0)

POS	Article no.	Description	Quantity	Unit
2	5.481-111.0	Closure element	2	PC



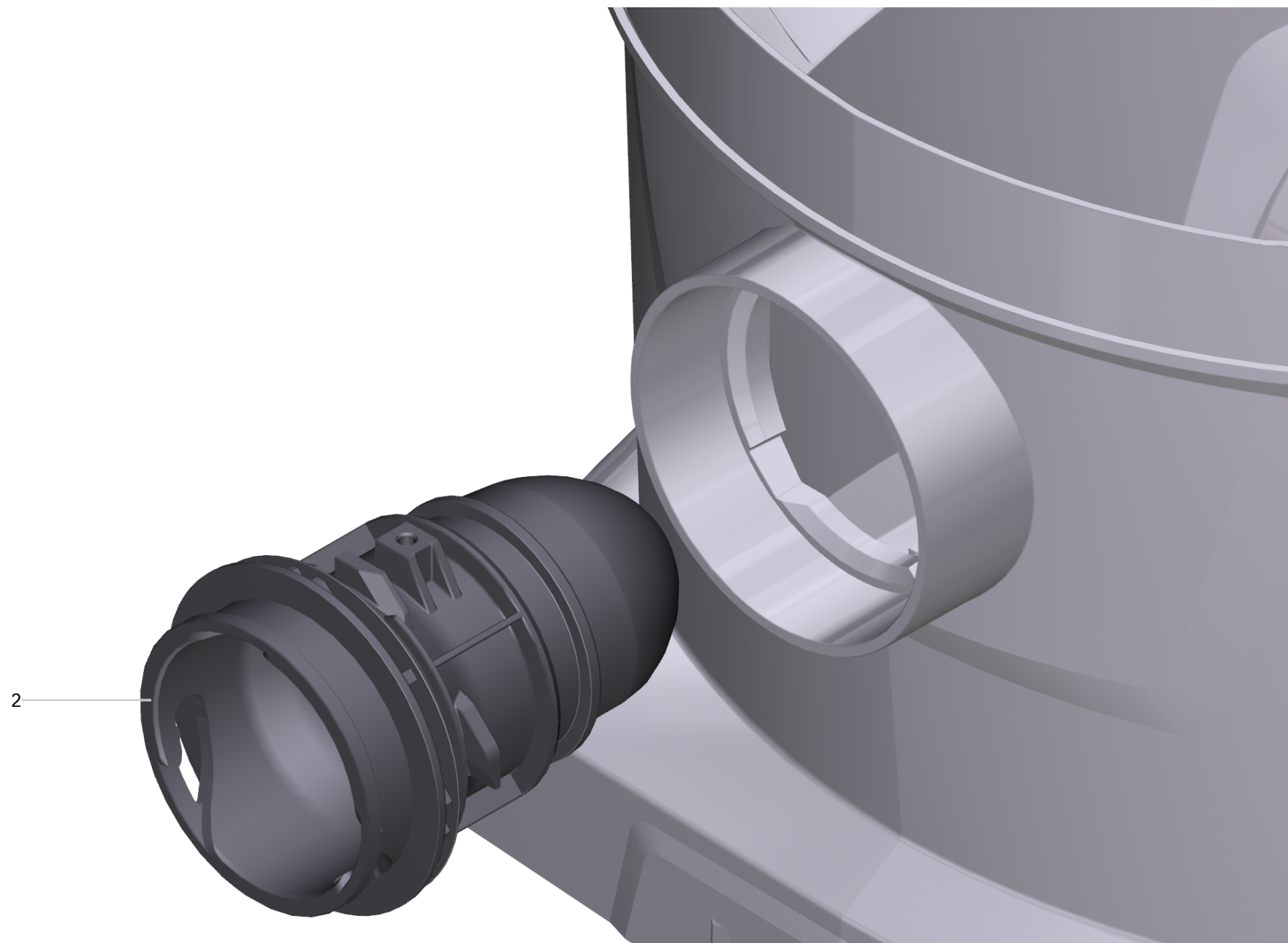
35 Set base plate for replacement NT22 Bp (4.071-601.0)

POS	Article no.	Description	Quantity	Unit
2	6.273-079.0	Seal string D6	1	PC
3	6.286-048.0	Insulation mat motor	1	PC
4	6.286-049.0	Insulation mat exhaust air	1	PC
5	6.286-050.0	Foam NT22/1 Ap Bp Pack L	1	PC



39 Set canal exhaust air (4.071-602.0)

POS	Article no.	Description	Quantity	Unit
3	6.343-145.0	Lock washer 5	2	PC

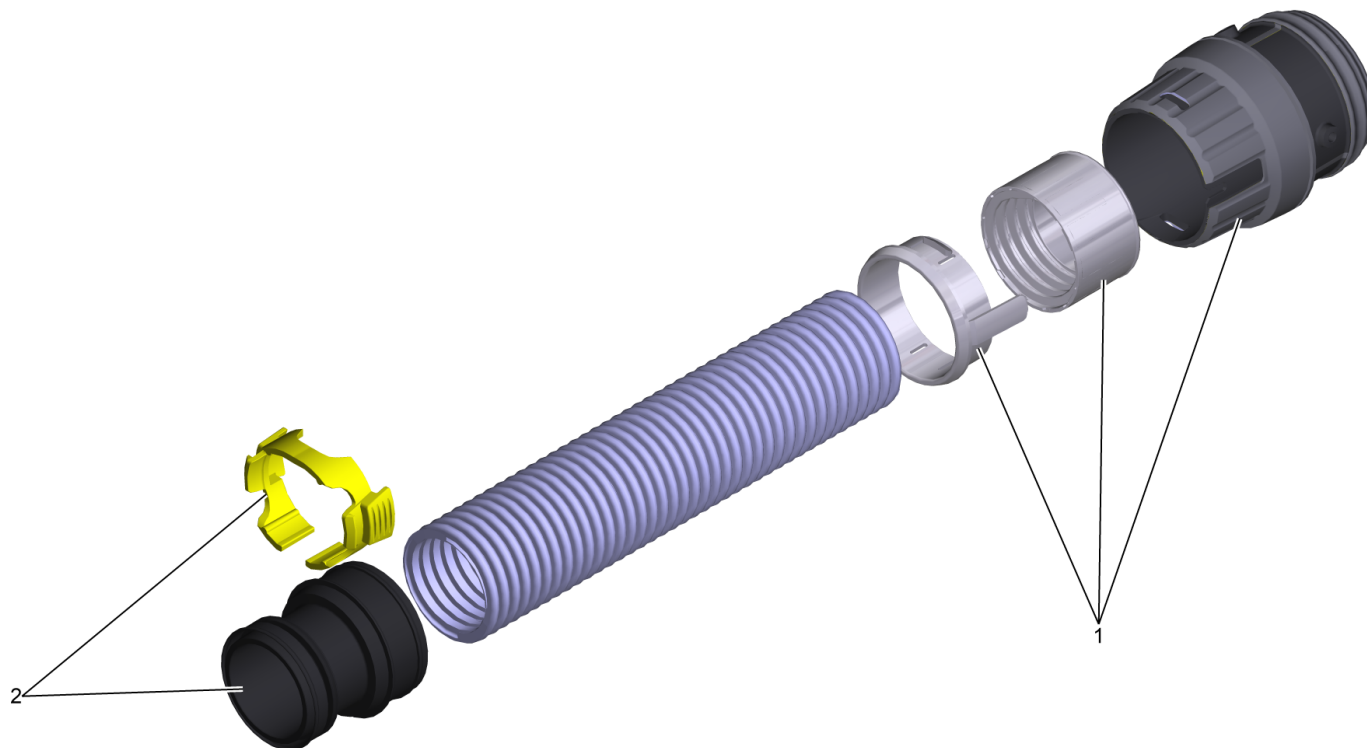


60 Set box NT 22/1 Bp (4.071-603.0)

POS	Article no.	Description	Quantity	Unit
2	5.034-098.0	Suction nipple electrically conducting O	1	PC
3	5.316-974.0	Bolt electrically conducting	1	PC

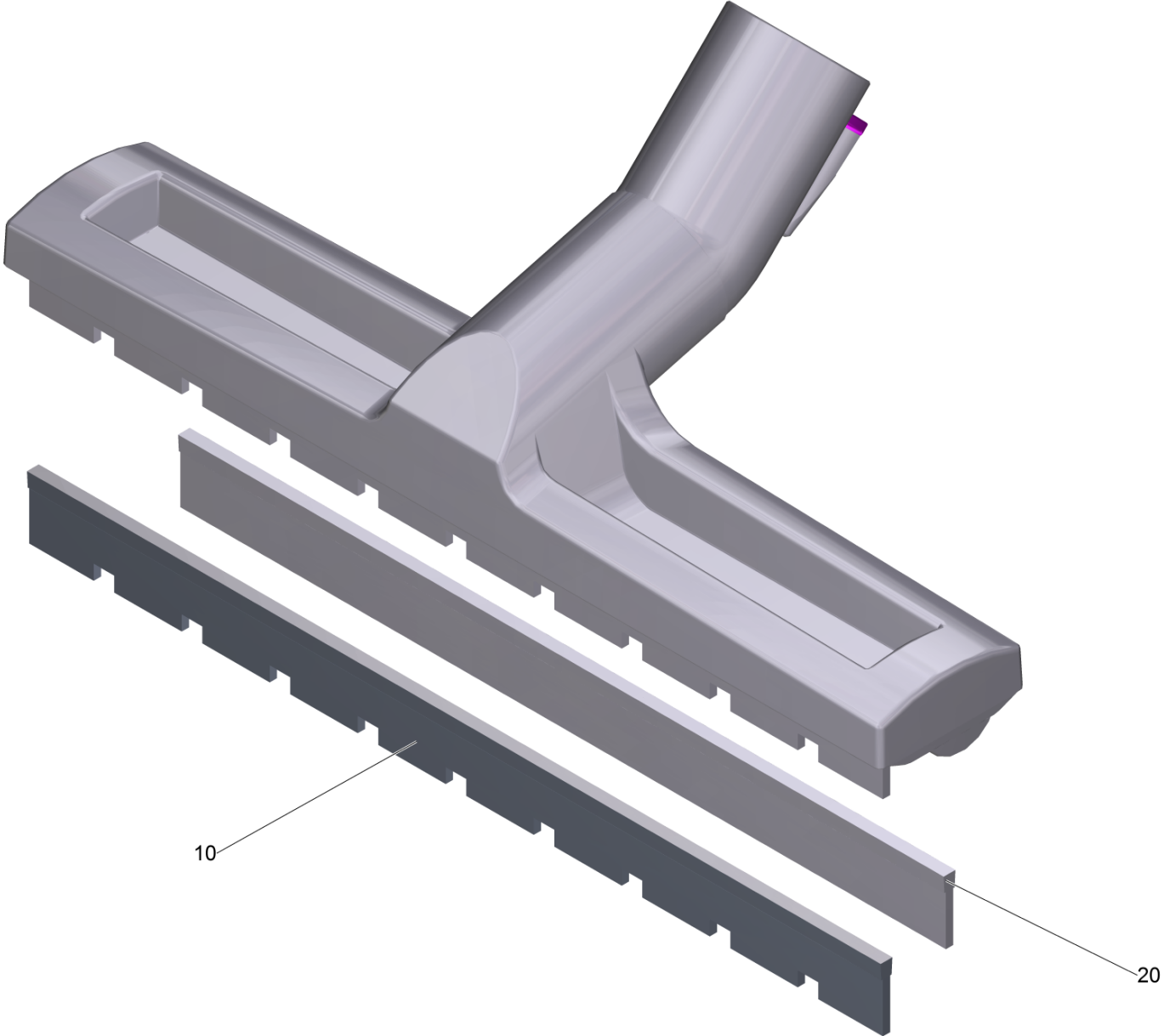
112 Suction hose NT DN35 1.9m (4.440-085.3)

POS	Article no.	Description	Quantity	Unit
10	2.889-149.0	Repair set NW35	1	PC



10 Repair set NW35 (2.889-149.0)

POS	Article no.	Description	Quantity	Unit
1	4.440-145.0	Repair set NW35	1	PC
2	4.440-146.0	Repair set NW35	1	PC



115 Floor tool packaged grey DN 35 300mm (2.889-263.0)

POS	Article no.	Description	Quantity	Unit
10	6.903-278.0	Brush strips set	1	PC
20	6.903-277.0	Set suction lips	1	PC

900 Adapter old packaged NW35 (2.889-312.0)

POS	Article no.	Description	Quantity	Unit
2	5.031-703.0	Tension ring C35	1	PC