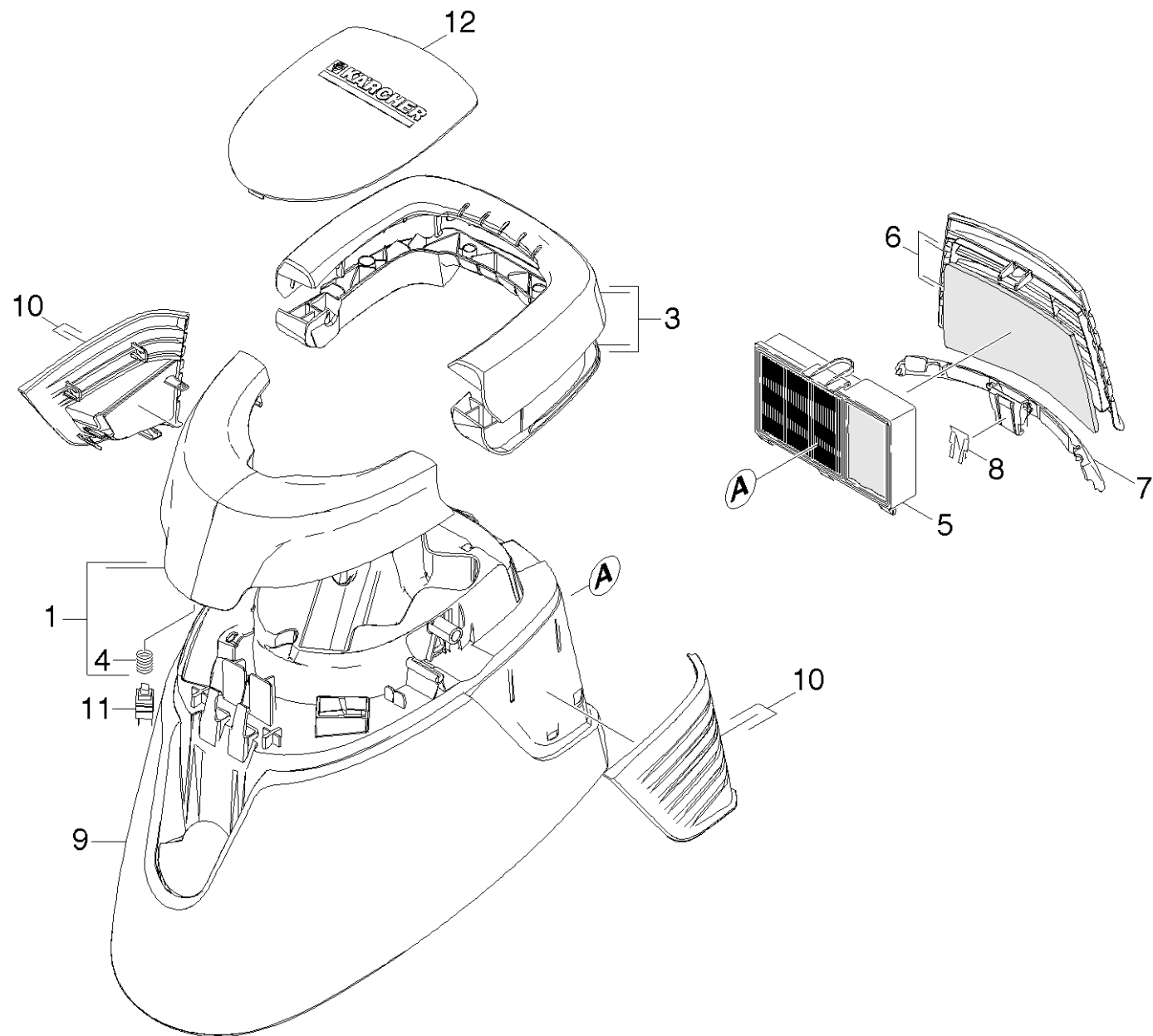


## 10 Top part

Overview technical documents/Home & Garden/Vacuum cleaner/Dry vacuum cleaner/DS 5600 \*EU (1.195-130.0)/Spare parts list DS 5600/10 Top part



## 10 Top part

Overview technical documents/Home & Garden/Vacuum cleaner/Dry vacuum cleaner/DS 5600 \*EU (1.195-130.0)/Spare parts list DS 5600/10 Top part

ET/VT (spare/wear parts)	Pos	Material #	Name	Qty.	Unit
	1	2.324-012.0	Pushbutton set only for replacement DS 5	1.000	ST
Position text: 1.195-130.0 / -133.0 / -134.0 / -135.0/ -136.0					
	1	2.324-016.0	Pushbutton set grey DS 5600 replacement	1.000	ST
Position text: 1.195-131.0 / -132.0 / -137.0 / -138.0/ -139.0					
	3	2.324-017.0	Handhold grey replacement DS 5600	1.000	ST
Position text: 1.195-131.0 / -132.0 / -137.0 / -138.0/ -139.0					
	3	2.324-013.0	Handhold complete only for replacement D	1.000	ST
Position text: 1.195-130.0 / -133.0 / -134.0 / -135.0/ -136.0					
	4	6.330-170.0	Pressure spring	2.000	ST
X-X	5	6.414-963.0	Filter HEPA 13 Zubehoer	1.000	ST
Position text: 1.195-137.0 / -138.0 / -139.0					
X-X	5	6.414-963.0	Filter HEPA 13 Zubehoer	1.000	ST
Position text: 1.195-130.0 / -131.0 / -132.0 / -133.0/ -134.0 / -135.0 / -136.0					
	6	4.195-153.0	Grate exhaust air grey DS 5600 replaceme	1.000	ST
Position text: 1.195-131.0 / -132.0 / -137.0 / -138.0/ -139.0					
	6	4.195-152.0	Grate exhaust air complete	1.000	ST
Position text: 1.195-130.0 / -133.0 / -134.0 / -135.0/ -136.0					
	7	5.195-192.0	Locking part box	1.000	ST
Position text: 1.195-130.0 / -133.0 / -134.0 / -135.0/ -136.0					
	7	5.195-283.0	Locking part box grey	1.000	ST
Position text: 1.195-131.0 / -132.0 / -137.0 / -138.0/ -139.0					
	8	5.337-038.0	Plate spring	2.000	ST
	9	2.067-003.0	Cover only for replacement DS 5600	1.000	ST
Position text: 1.195-130.0 / -133.0 / -134.0 / -135.0/ -136.0					
	9	2.067-004.0	Cover white replacement DS 5600	1.000	ST
Position text: 1.195-131.0 / -132.0 / -137.0 / -138.0/ -139.0					

## 10 Top part

Overview technical documents/Home & Garden/Vacuum cleaner/Dry vacuum cleaner/DS 5600 \*EU (1.195-130.0)/Spare parts list DS 5600/10 Top part

ET/VT (spare/wear parts)	Pos	Material #	Name	Qty.	Unit
	10	2.324-018.0	Screen set grey DS 5600 replacement	1.000	ST
Position text: 1.195-131.0 / -132.0 / -137.0 / -138.0/ -139.0					
	10	2.324-014.0	Screen set only for replacement DS 5600	1.000	ST
Position text: 1.195-130.0 / -133.0 / -134.0 / -135.0/ -136.0					
X-X	11	6.630-437.0	Switch on/off	1.000	ST
	12	5.195-274.0	Cover accessory shed white	1.000	ST
Position text: 1.195-131.0 / -132.0 / -137.0 / -138.0/ -139.0					
	12	5.195-187.0	Cover accessory shed	1.000	ST
Position text: 1.195-130.0 / -133.0 / -134.0 / -135.0/ -136.0					