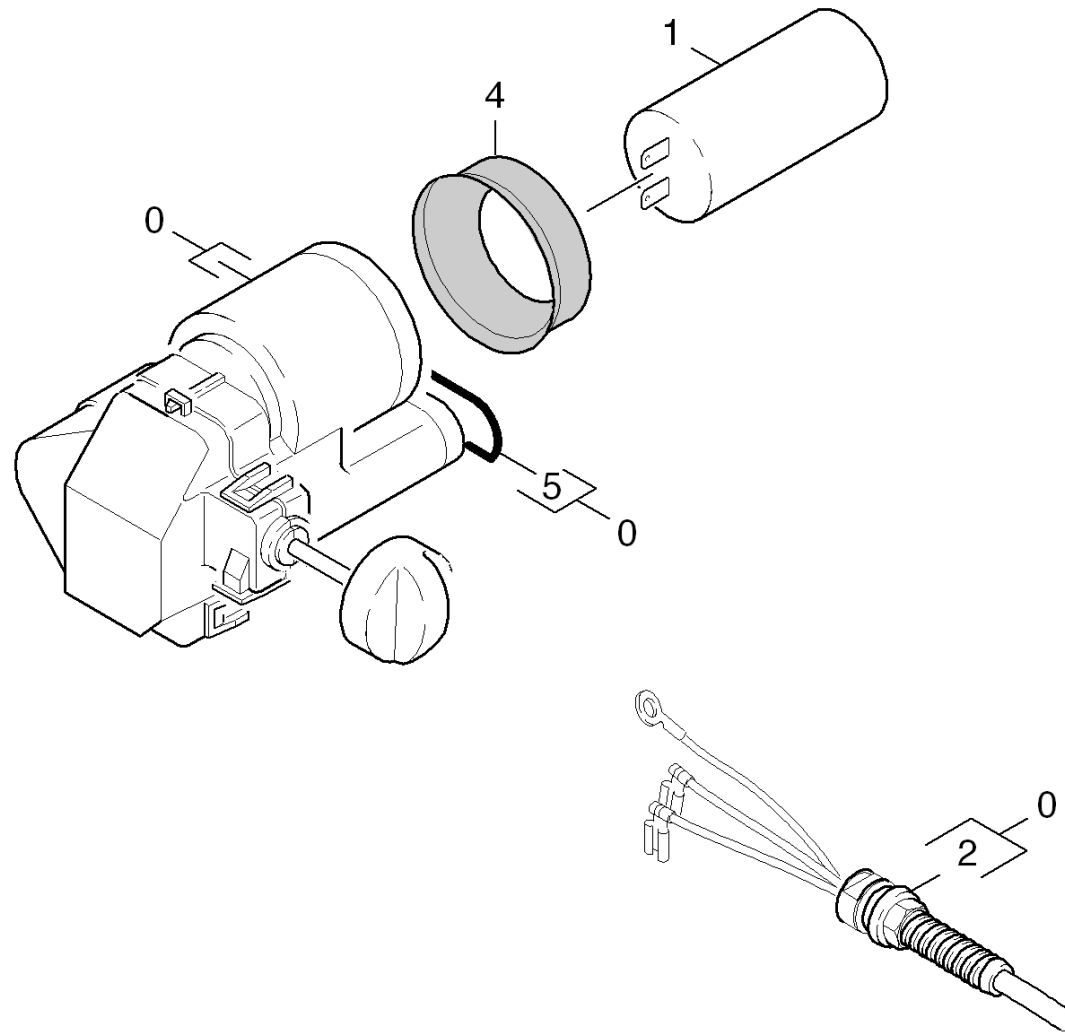


50 Electric box

Home and Garden \ High pressure cleaner cold water \ Electric motor \ K 3 \ K 3.91M *EU \ Spare parts list K3.91M \ Electric box



50 Electric box

Home and Garden \ High pressure cleaner cold water \ Electric motor \ K 3 \ K 3.91M *EU \ Spare parts list K3.91M \ Electric box



POS	Article no.	Description	Quantity	Unit	Remark	Foot note text
0	9.001-573.0	Electric box	1	PC	(25 mF)	DIAMETER = 45
	Item text1: 1.636-900.0 /-907.0 /-909.0 /-930.0					
	Item text2: /-931.0 /					
0	9.001-607.0	Electric box	1	PC	(20 mF)	DIAMETER = 40
	Item text1: 1.636-900.0 / -907.0 / -909.0 / -930.0 /					
	Item text2: -931.0 /					
0	9.001-620.0	Electric box	1	PC		
	Item text1: 1.636-901.0 / -908.0 /					
0	9.001-643.0	Electric box	1	PC	(25 mF)	DIAMETER = 45
	Item text1: 1.636-910.0 /-911.0 /-932.0 /					
0	9.001-684.0	Electric box complete	1	PC	(CN)	
	Item text1: 1.636-914.0					
1	9.085-013.0	Capacitor 25uF	1	PC	(25 mF)	DIAMETER = 45
1	9.085-023.0	Capacitor 20mikroF H=70	1	PC	(20 mF)	DIAMETER = 40
2	9.084-139.0	Cable with plug *EU	1	PC		
	Item text1: 1.636-900.0 / -907.0 / -909.0 / -930.0 /					
	Item text2: -931.0 /					
2	9.084-144.0	Cable with plug	1	PC		
	Item text1: 1.636-901.0 / -908.0 /					
2	9.084-231.0	Cable with plug	1	PC	(CN)	
	Item text1: 1.636-914.0					
2	9.084-419.0	Cable 3G1 CH IP55	1	PC		
	Item text1: 1.636-910.0 / -911.0 / -932.0 /					
4	7.777-999.0	Stockpiling discontinued	1	PC		DIAMETER = 40
4	9.080-465.0	Joint ring capacitor d.45, 70 Shore	1	PC		DIAMETER = 45
5	9.080-494.0	OR 20x2 EPDM70ShA PTFE	1	PC		