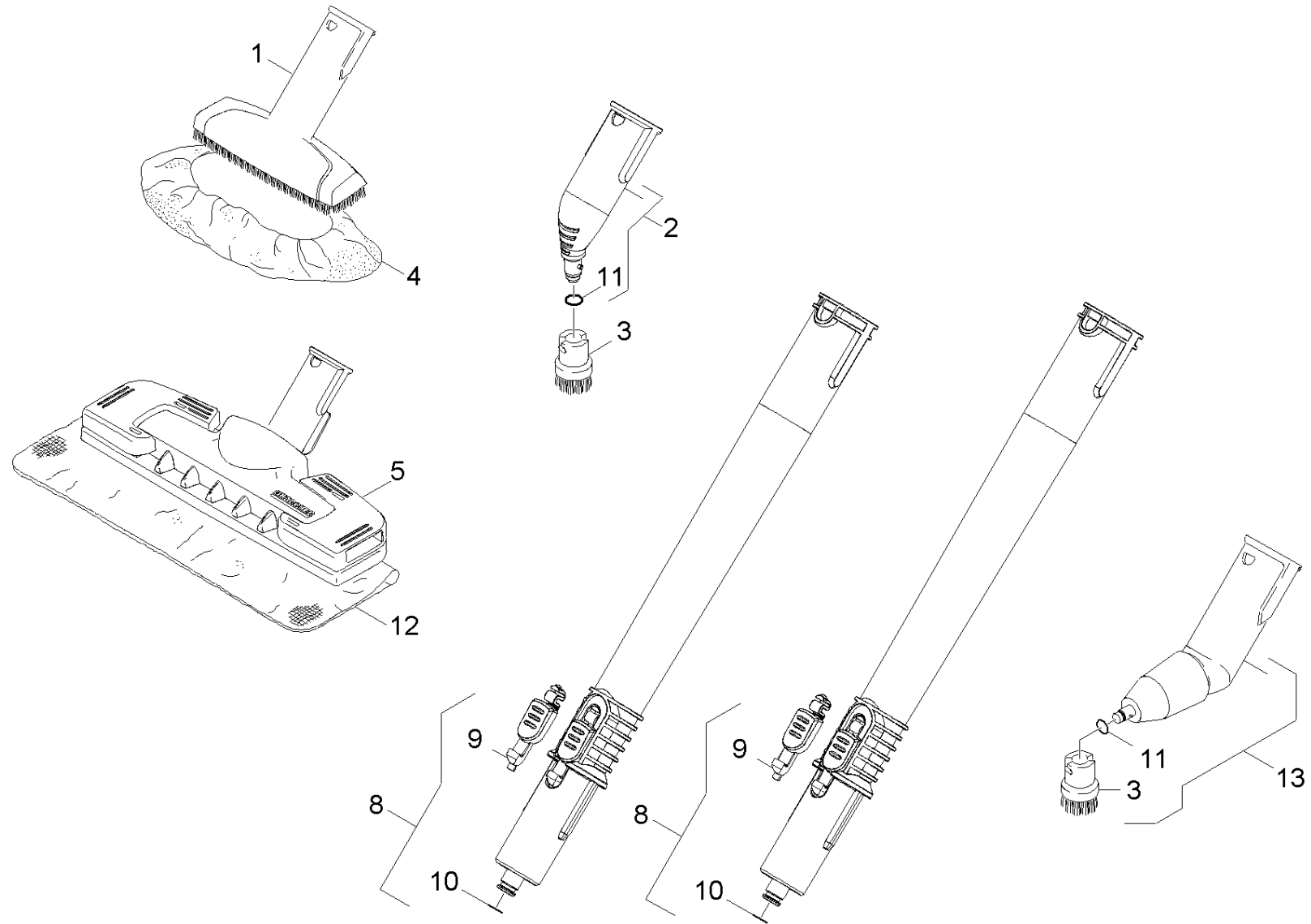


## 40 Accessories

Overview technical documents/Home & Garden/Steamer/SC 2.500 C \*GB (1.512-352.0)/Spare parts list SC 2.500 C/40 Accessories



## 40 Accessories

Overview technical documents/Home & Garden/Steamer/SC 2.500 C \*GB (1.512-352.0)/Spare parts list SC 2.500 C/40 Accessories

| Rez.daļas/nodil.pakļ.daļas | Poz. | Materiāla Nr. | Nosaukums                            | Daudzums | Pārdoš. vienība | Daž. informācija |
|----------------------------|------|---------------|--------------------------------------|----------|-----------------|------------------|
| X-X                        | 1    | 2.884-280.0   | Hand nozzle from 4.130-144.0         | 1.000    | ST              |                  |
| X-X                        | 2    | 2.884-281.0   | point jet nozzle                     | 1.000    | ST              |                  |
| X-X                        | 3    | 2.863-077.0   | Bristle rink set                     | 1.000    | ST              | /*JP             |
| X-X                        | 3    | 2.863-058.0   | Bristle rink set                     | 1.000    | ST              |                  |
| X-X                        | 4    | 6.370-990.0   | Frotē pārvalku komplekts 5 gab.      | 1.000    | ST              |                  |
| X-X                        | 5    | 2.885-142.0   | floor tool                           | 1.000    | ST              |                  |
| X-X                        | 8    | 4.127-024.0   | Extension pipe                       | 2.000    | ST              |                  |
|                            | 9    | 5.037-220.0   | Snap-fit                             | 2.000    | ST              |                  |
| X-X                        | 10   | 6.362-922.0   | Gredzenblīve 8,73x1,78               | 2.000    | ST              |                  |
| X-X                        | 11   | 6.362-186.0   | Gredzenblīve 7,65X 1,78              | 1.000    | ST              |                  |
| X-X                        | 12   | 2.863-171.0   | cloth set                            | 1.000    | ST              |                  |
| X-X                        | 12   | 6.369-357.0   | Mazo frotē lupatiņu komplekts 5 gab. | 1.000    | ST              |                  |
| X-X                        | 13   | 2.863-159.0   | Nozzle                               | 1.000    | ST              |                  |