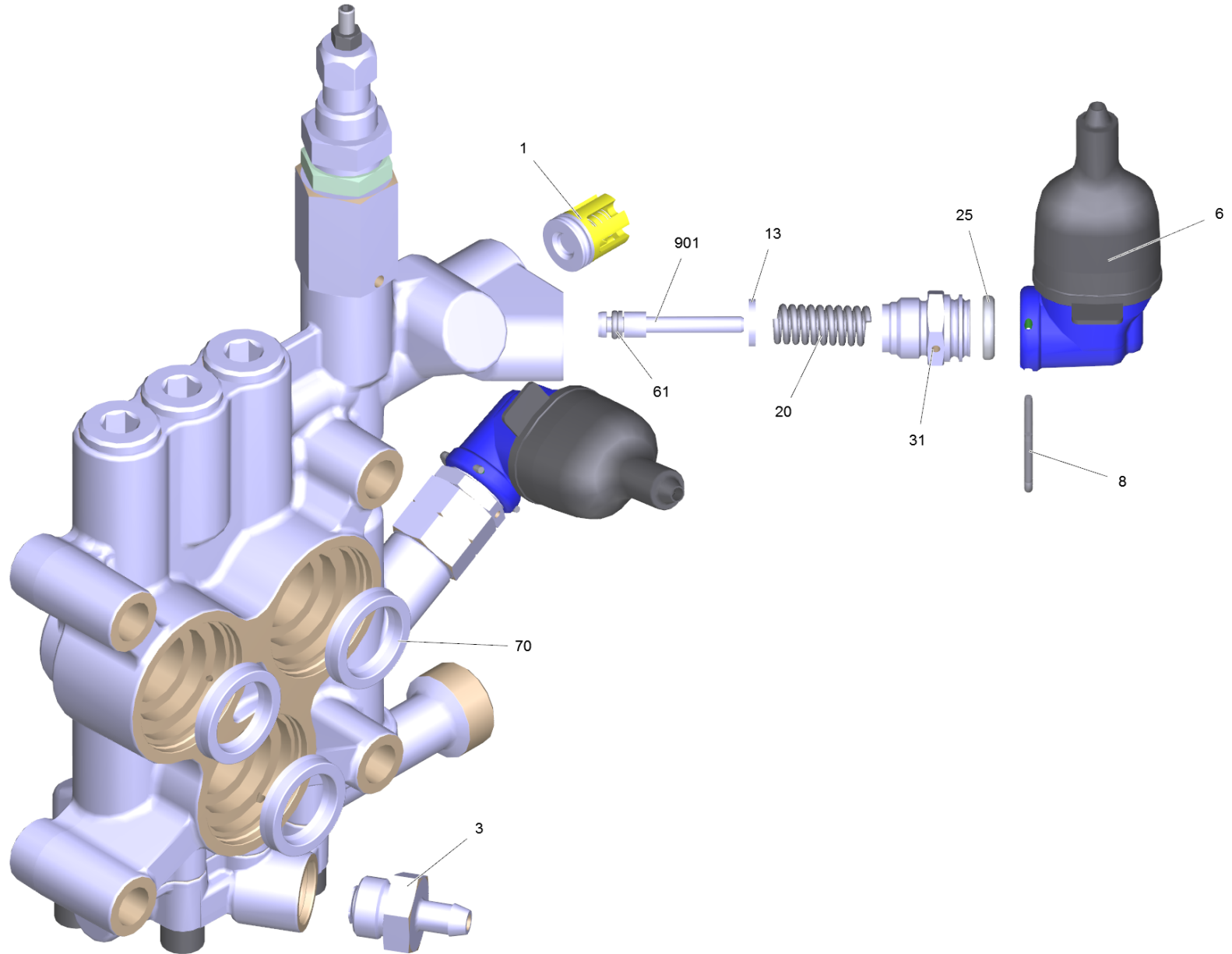


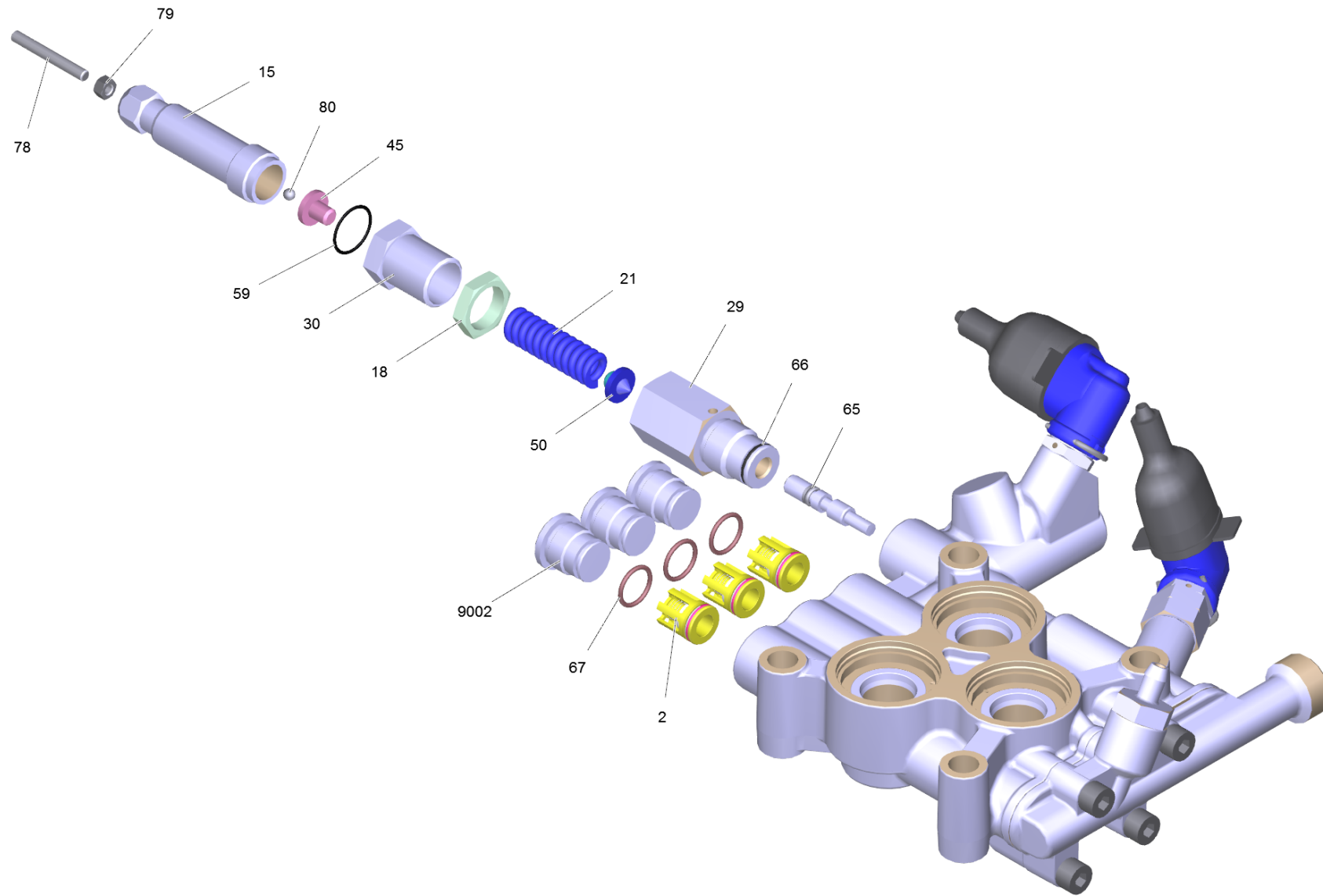
10 Cylinder head complete

Professional \ High pressure cleaner hotwater \ Electric motor \ HDS 13/20-4 SX *EU-I \ Spare parts list HDS 13/20-4SX *EU-I \ Motor pump \ Cylinder head complete



10 Cylinder head complete

Professional \ High pressure cleaner hotwater \ Electric motor \ HDS 13/20-4 SX *EU-I \ Spare parts list HDS 13/20-4SX *EU-I \ Motor pump \ Cylinder head complete



10 Cylinder head complete

Professional \ High pressure cleaner hotwater \ Electric motor \ HDS 13/20-4 SX *EU-I \ Spare parts list HDS 13/20-4SX *EU-I \ Motor pump \ Cylinder head complete

KÄRCHER

POS	Article no.	Description	Quantity	Unit
1	4.580-594.0	Valve complete	1	PC
2	2.884-512.0	Valve (3 Stueck)	1	PC
3	4.580-581.3	Valve complete	1	PC
4	4.580-611.0	Valve complete	3	PC
6	4.744-224.0	Switch complete	1	PC
7	4.744-225.3	Switch complete	1	PC
8	5.034-494.0	Retaining bracket	2	PC
13	5.115-796.0	Washer	2	PC
15	5.304-070.0	Hexagonal head screw	1	PC
18	5.311-204.0	Hexagon nut M22x1,5	1	PC
20	5.332-268.0	Helical spring	2	PC
21	5.332-444.0	Helical spring	1	PC
25	5.367-030.0	Diaphragm	2	PC
29	5.402-746.0	Connection piece	1	PC
30	5.404-082.0	Hollow screw	1	PC
31	5.411-148.0	Screw plug	2	PC
32	5.427-418.0	Manifold water intake	1	PC
35	4.550-887.0	Cylinder head complete	1	PC
45	5.582-121.0	Valve disc	1	PC
50	5.584-114.0	Valve pin	1	PC
59	6.362-079.0	O-Ring seal 18,0 X 2,5	1	PC
61	6.363-037.0	O-Ring seal complete 1ST.-R.	2	PC
62	6.362-381.0	O-Ring seal 13x2 - NBR 70	1	PC
65	4.553-287.0	Piston complete	1	PC
66	6.362-427.0	O-Ring seal 15,0x2,0	1	PC
67	6.362-481.0	O-Ring seal 14,0 x 2,0 NBR 80	3	PC
68	6.363-536.0	O-Ring seal 21x1,5	4	PC
69	6.362-853.0	O-Ring seal 4,47x1,78	1	PC
70	6.365-055.0	Grooved ring 22x30x5	3	PC
71	6.362-703.0	O-Ring seal 6,0x1,5-NBR 70	1	PC
76	7.306-043.0	Cylinder head screw M8x30 -8.8-A2E ISO	4	PC
78	7.307-017.0	Threaded pin M5x40 -St-45H-A2E ISO 4026	1	PC
79	7.311-002.0	Hexagon nut M5 -6-A2E ISO 4032	1	PC

10 Cylinder head complete

Professional \ High pressure cleaner hotwater \ Electric motor \ HDS 13/20-4 SX *EU-I \ Spare parts list HDS 13/20-4SX *EU-I \ Motor pump \ Cylinder head complete



POS	Article no.	Description	Quantity	Unit
80	7.401-931.0	Sphere 5 KI3 -1.4401 DIN 5401	1	PC
901	4.553-197.0	Piston complete only for replacement	2	PC
902	5.110-867.0	Sleeve	1	PC
9001	5.402-705.3	Joining piece	1	PC
9002	5.583-146.3	Valve screw	3	PC