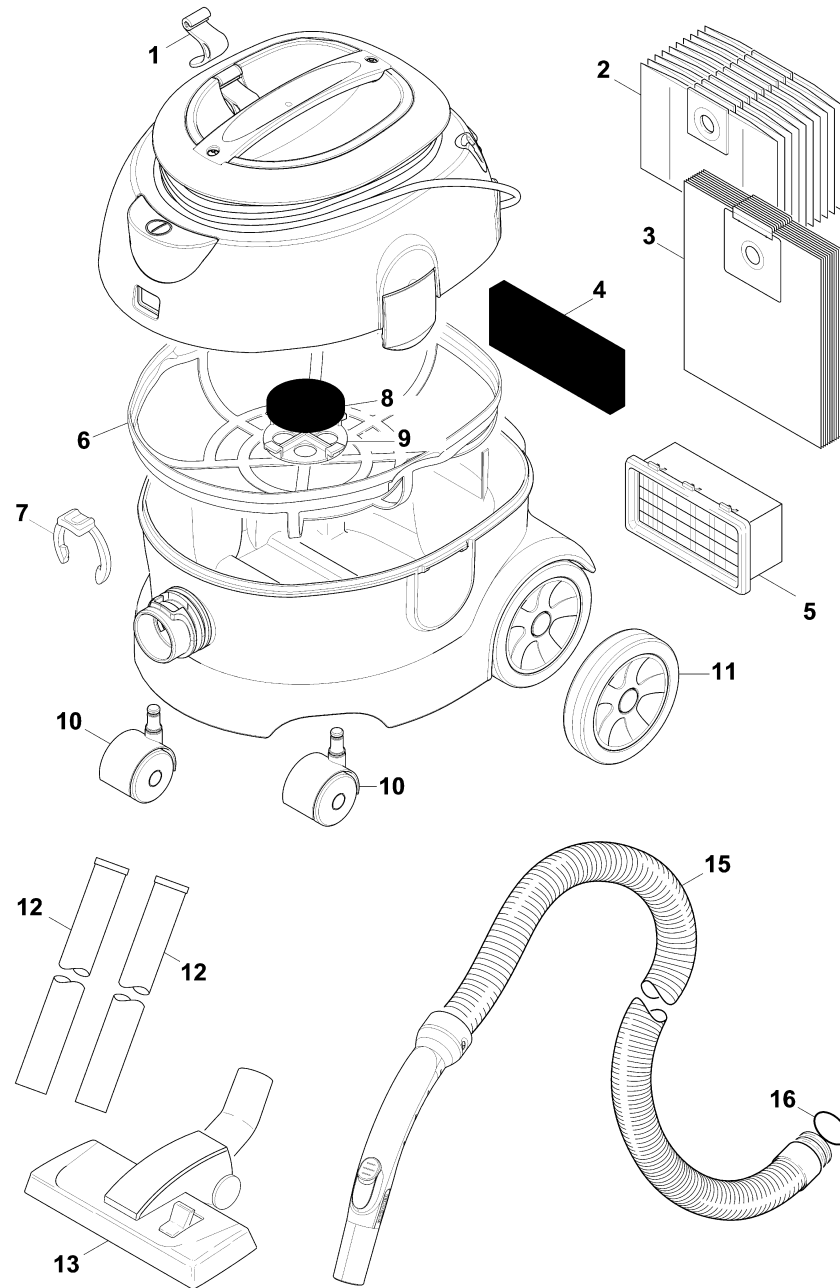


11 Short spare parts list (1.355-147.3)

Professional \ Vacuum cleaner \ Dry vacuum cleaner \ T 12/1 Hf \ Short spare parts list



11 Short spare parts list (1.355-147.3)

Professional \ Vacuum cleaner \ Dry vacuum cleaner \ T 12/1 Hf \ Short spare parts list

KÄRCHER

POS	Article no.	Description	Quantity	Unit	Foot note text
1	5.032-597.0	Catch for cable	1.000	ST	
2	6.904-312.0	Paper filtering bag 10 St.	1.000	ST	
3	6.904-315.0	Filter bag fleece	1.000	ST	
4	6.414-802.0	Blowing filter	1.000	ST	
5	6.414-801.0	Filter HEPA	1.000	ST	
6	5.731-640.0	Filtering basket	1.000	ST	fleece
6	4.731-011.0	Filtering basket packaged	1.000	ST	
7	5.343-022.0	Locking ring	1.000	ST	
8	6.414-611.0	Filter 5 St.	1.000	ZSA	
9	5.032-674.0	Grate filter motor protecting	1.000	ST	
10	6.435-707.0	Castor	2.000	ST	
11	4.515-324.0	Wheel complete	2.000	ST	
12	6.903-850.0	Suction tube DN 32	2.000	ST	
13	6.907-410.0	Combination nozzle packaged basalt grey	1.000	ST	
15	4.440-907.0	Suction hose with elbow antistatic	1.000	ST	
16	6.363-182.0	O-Ring seal 30,2 x 3,0	1.000	ST	