

## **Spare parts list** (1.348-190.0) WD 5 \*EU-I

## Table of contents

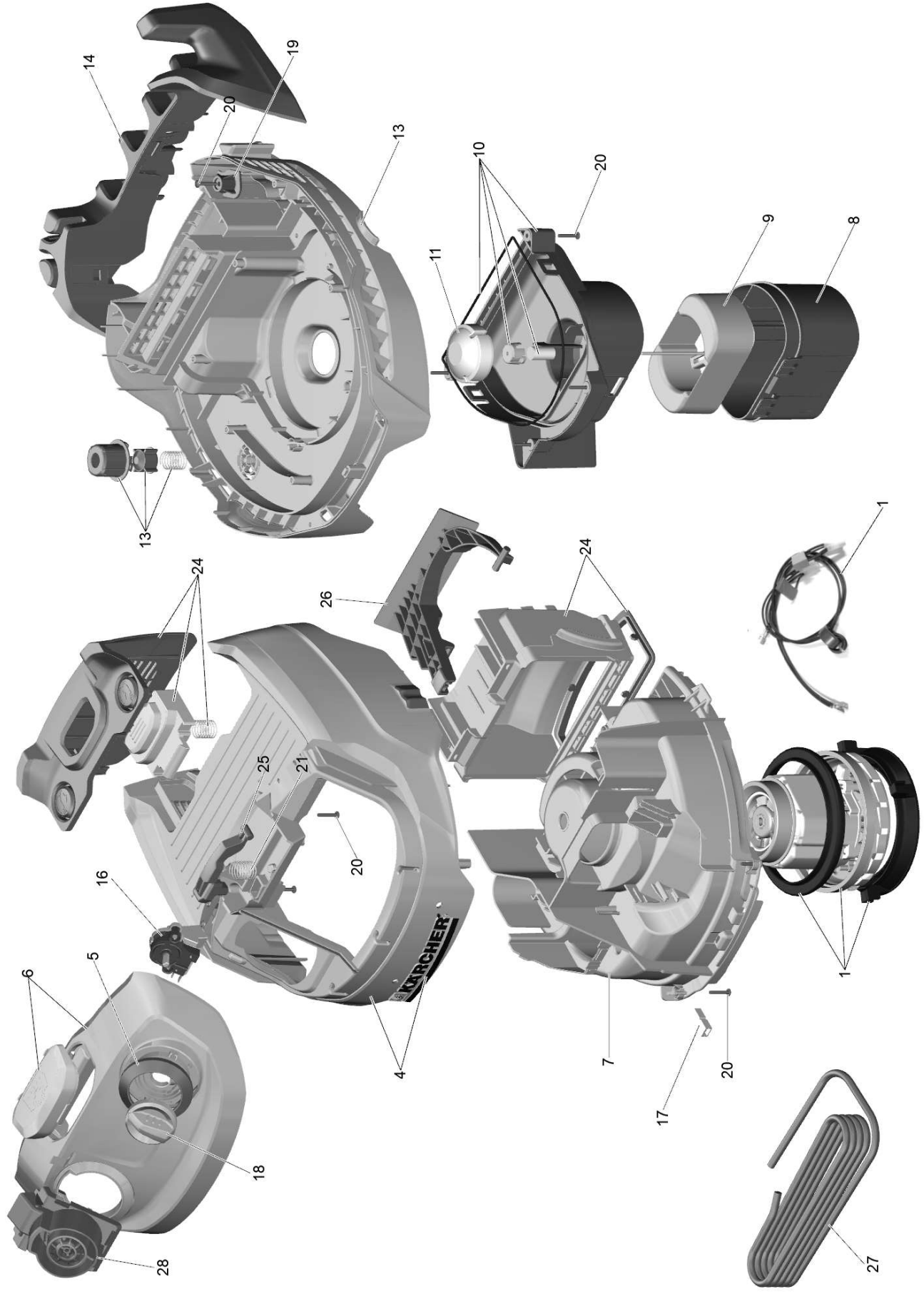
---

WD 5 *EU-I (1.348-190.0)	3
10 Appliance individual parts	4
4 Cover neutrally complete (9.002-097.0)	6
10 Cover float complete WD 4 (9.002-033.0)	8
13 Motor bracket complete (9.002-089.0)	10
24 Filter box complete (9.002-091.0)	12
20 Tank	14
30 Accessories	16
1 Suction hose complete for replacement (4.441-091.0)	18

WD 5 \*EU-I (1.348-190.0)

POS	Description	Quantity	Unit
10	Appliance individual parts	1	PC
20	Tank	1	PC
30	Accessories	1	PC

10 Appliance individual parts



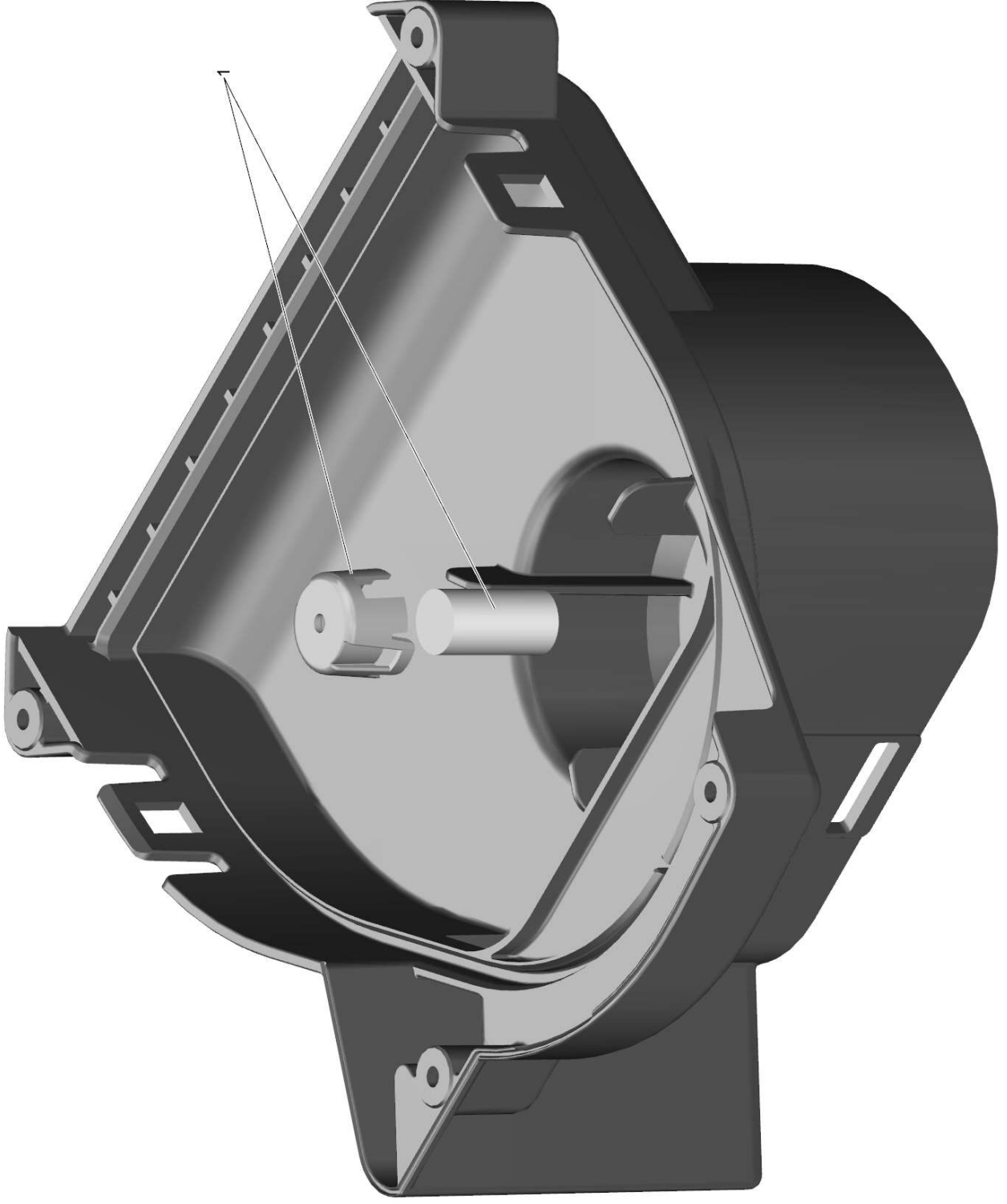
10 Appliance individual parts

POS	Article no.	Description	Quantity	Unit	Remark
1	4.490-028.0	Blower motor complete for replacement KC	1	PC	
20	6.303-150.0	Screw 4,2x 22	14	PC	
9	9.002-032.0	Float complete WD 4	1	PC	
10	9.002-033.0	Cover float complete WD 4	1	PC	
13	9.002-089.0	Motor bracket complete	1	PC	
24	9.002-091.0	Filter box complete	1	PC	
4	9.002-097.0	Cover neutrally complete	1	PC	
6	9.002-099.0	Front panel complete	1	PC	
16	9.002-427.0	Electrical box for replacement WD 5/6	1	PC	
28	9.013-059.0	Connection complete	1	PC	
19	9.036-997.0	Strain relief	1	PC	
11	9.038-070.0	Float valve	1	PC	
8	9.038-264.0	Float cage	1	PC	
7	9.038-271.0	Air circulation	1	PC	
25	9.038-278.0	Lever spring	1	PC	
26	9.038-279.0	Flap filter	1	PC	
14	9.038-287.0	Retainer accessories	1	PC	
5	9.038-359.0	On-Off ring MV5	1	PC	
18	9.038-362.0	Rotary switch WD	1	PC	
21	9.047-111.0	Spring WD	1	PC	
27	9.084-154.0	Cable H05V-F 2X0,75 A2204 *EU	1	PC	*EU
27	9.084-301.0	Cable 5,5m 2x0,75 *CH	1	PC	*CH
17	9.085-094.0	Connection	1	PC	



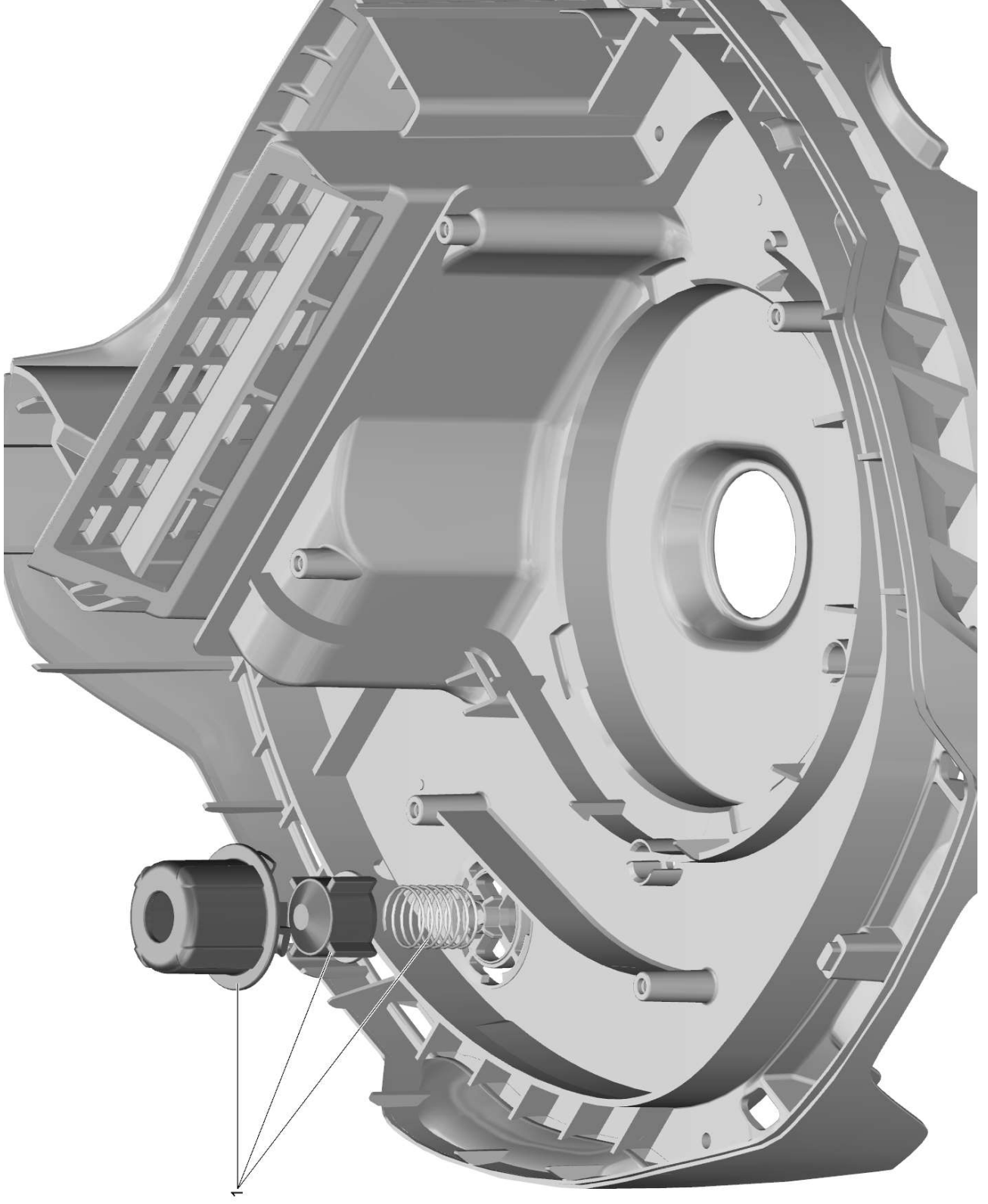
4 Cover neutrally complete (9.002-097.0)

POS	Article no.	Description	Quantity	Unit
1	9.037-643.0	Kaercher label	1	PC



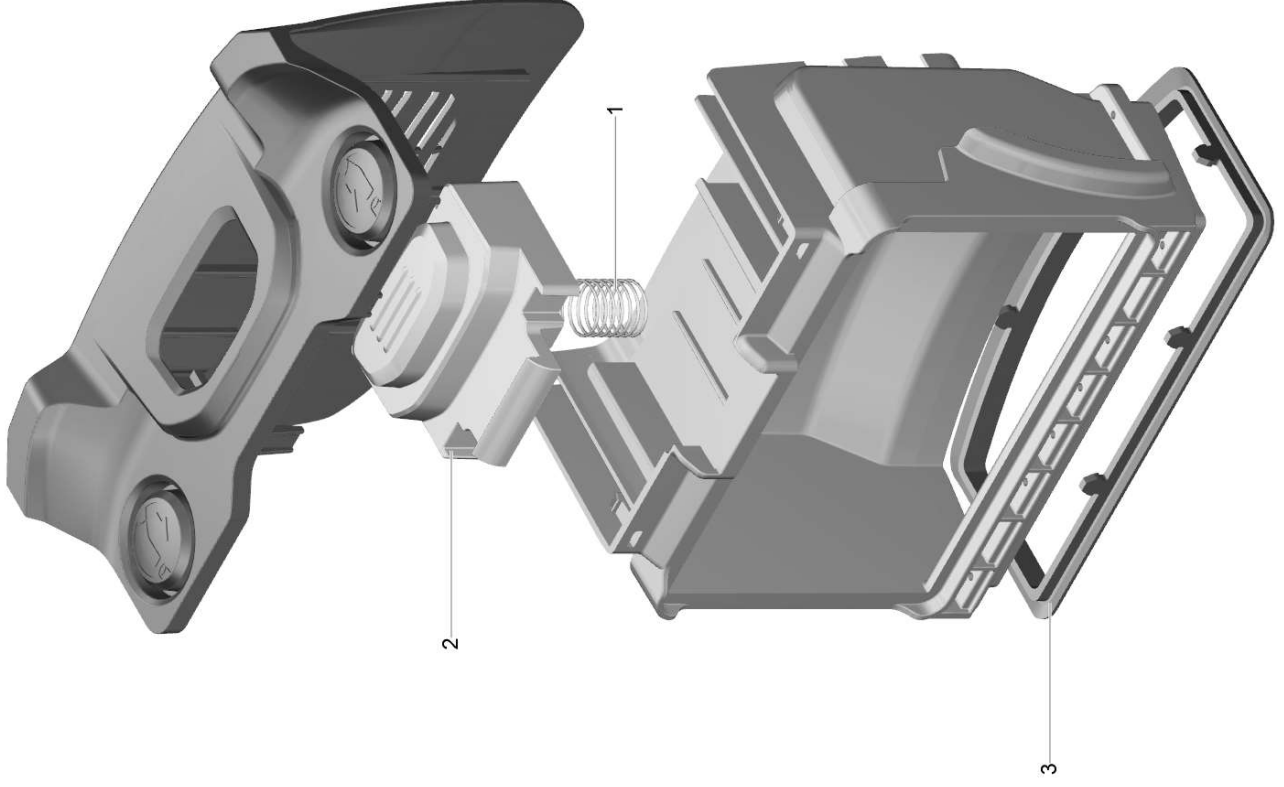
10 Cover float complete WD 4 (9.002-033.0)

POS	Article no.	Description	Quantity	Unit
1	9.002-034.0	Seal float complete WD 4	1	PC



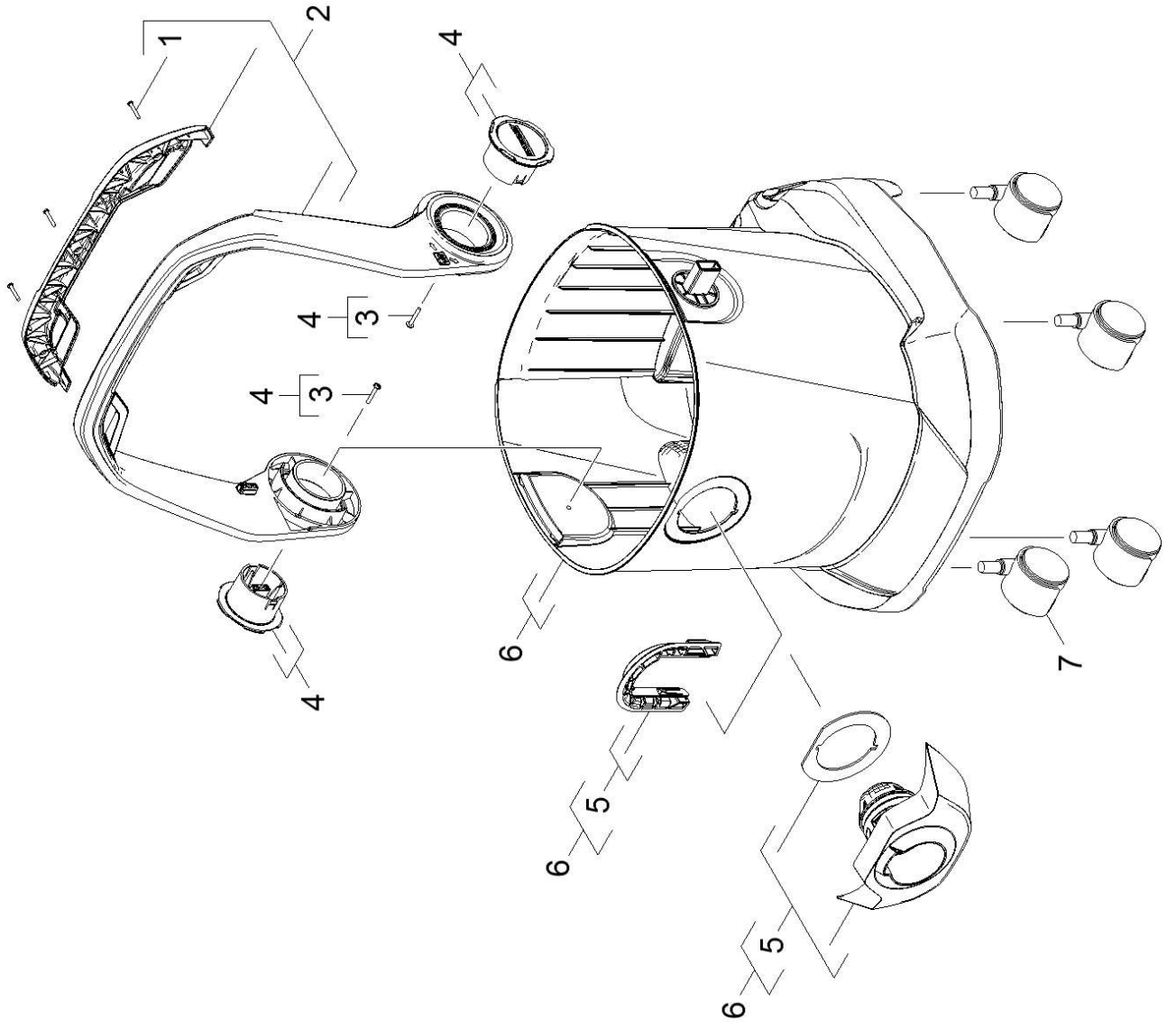
13 Motor bracket complete (9.002-089.0)

POS	Article no.	Description	Quantity	Unit
1	9.002-036.0	Safety valve complete WD 4	1	PC



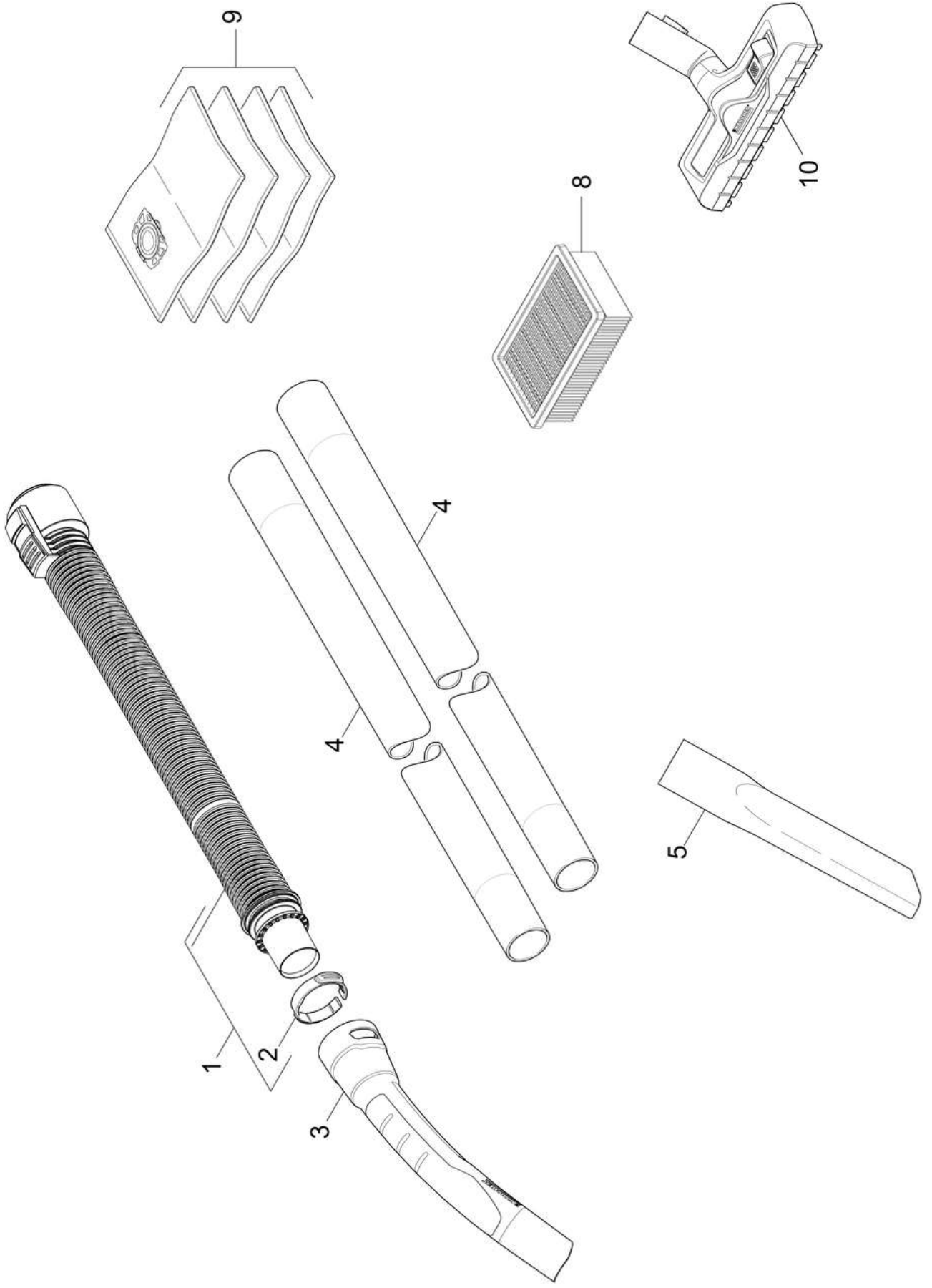
24 Filter box complete (9.002-091.0)

POS	Article no.	Description	Quantity	Unit
1	6.330-415.0	Pressure spring VC6	1	PC
2	9.038-283.0	Fbox button WD5	1	PC
3	9.079-080.0	Fbox Sealing	1	PC



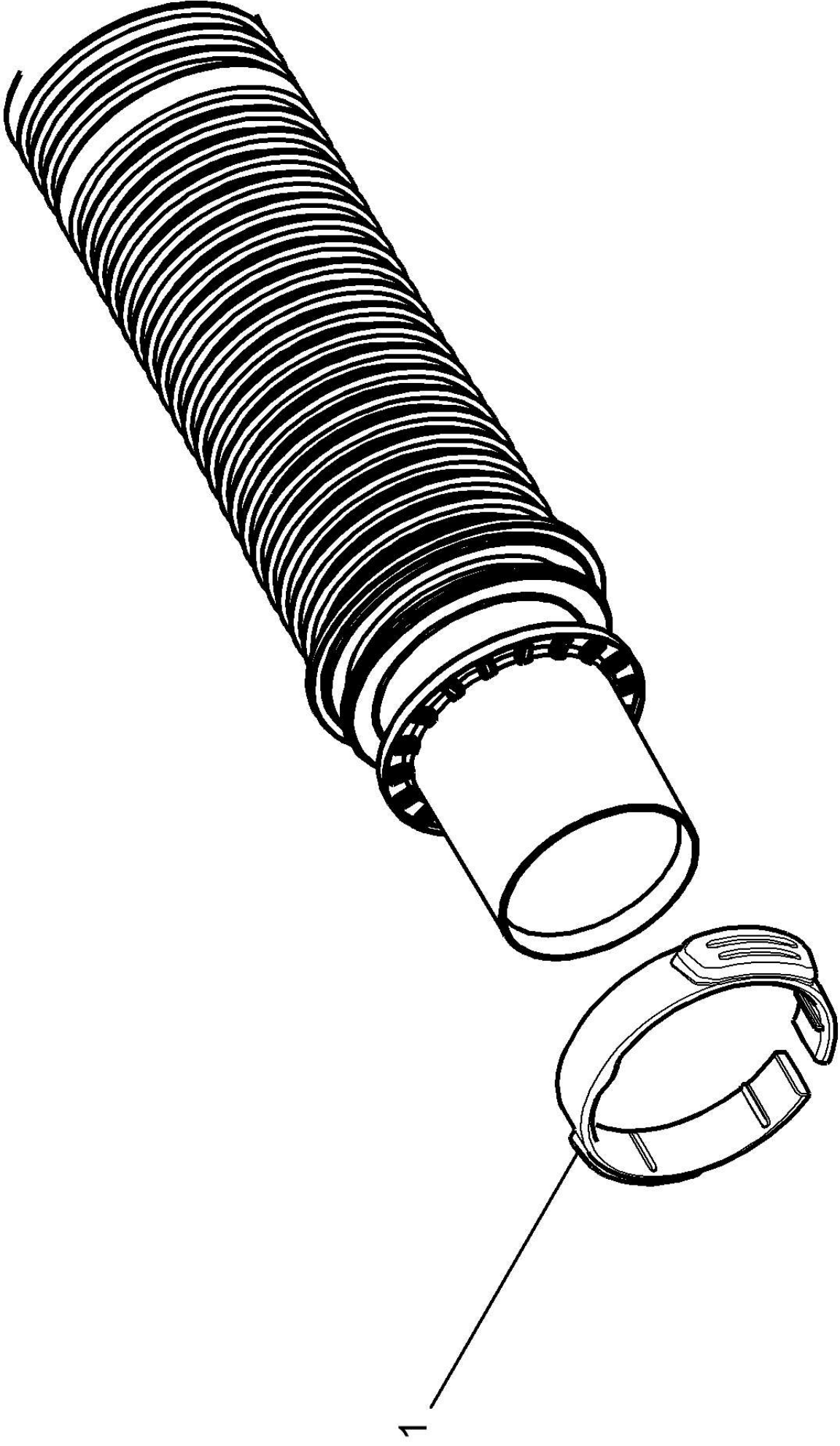
20 Tank

POS	Article no.	Description	Quantity	Unit
5	2.885-872.0	Set suction connection packaged	1	PC
3	6.303-150.0	Screw 4,2x 22	2	PC
1	6.633-534.0	Oval head screw with Kombi-Torx 3x18	3	PC
6	9.002-090.0	Container 25L PP complete	1	PC
2	9.002-093.0	Handle complete	1	PC
4	9.002-094.0	Flange hand grip complete	1	PC
7	9.012-975.0	Pivot wheel Ø50	5	PC
7	9.036-479.0	Castor D50	5	PC



30 Accessories

POS	Article no.	Description	Quantity	Unit
10	2.863-000.0	Wet and dry nozzle switchable WD/SE	1	PC
8	2.863-005.0	Flat-pleated filter WD	1	PC
9	2.863-006.0	Filter bag fleece WD 4St.	1	PC
3	2.863-012.0	Hand grip suction hose	1	PC
4	2.863-308.0	Extension suction tube WD ID 35	2	PC
1	4.441-091.0	Suction hose complete for replacement	1	PC
2	6.645-688.0	Spring washer suction hose	1	PC
5	6.900-385.0	Crevice nozzle DN35	1	PC



1 Suction hose complete for replacement (4.441-091.0)

POS	Article no.	Description	Quantity	Unit
1	6.645-688.0	Spring washer suction hose	1	PC