

Spare parts list

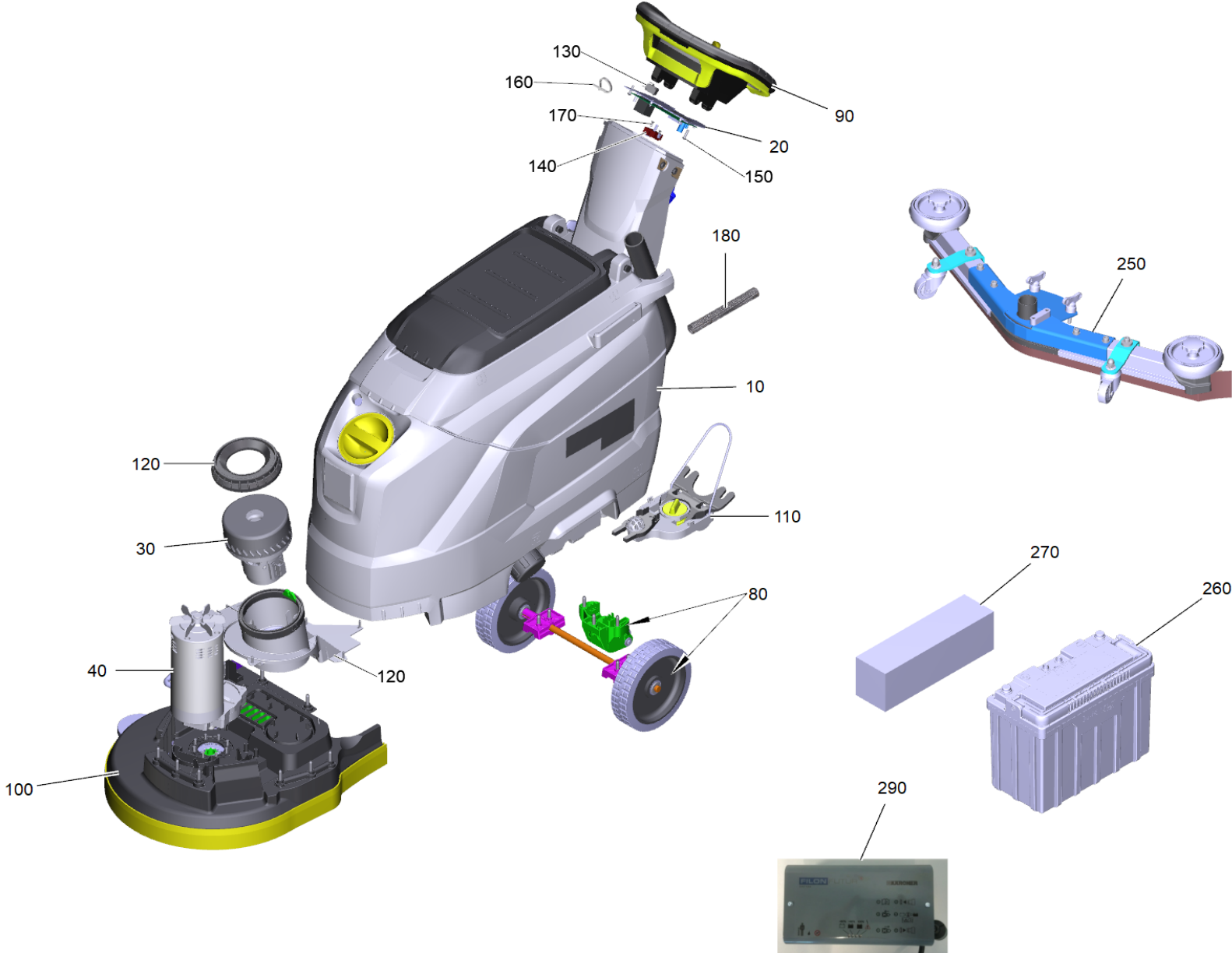
(1.515-409.0) BD 43/25 C Classic Bp Pack 90Ah Li +FC

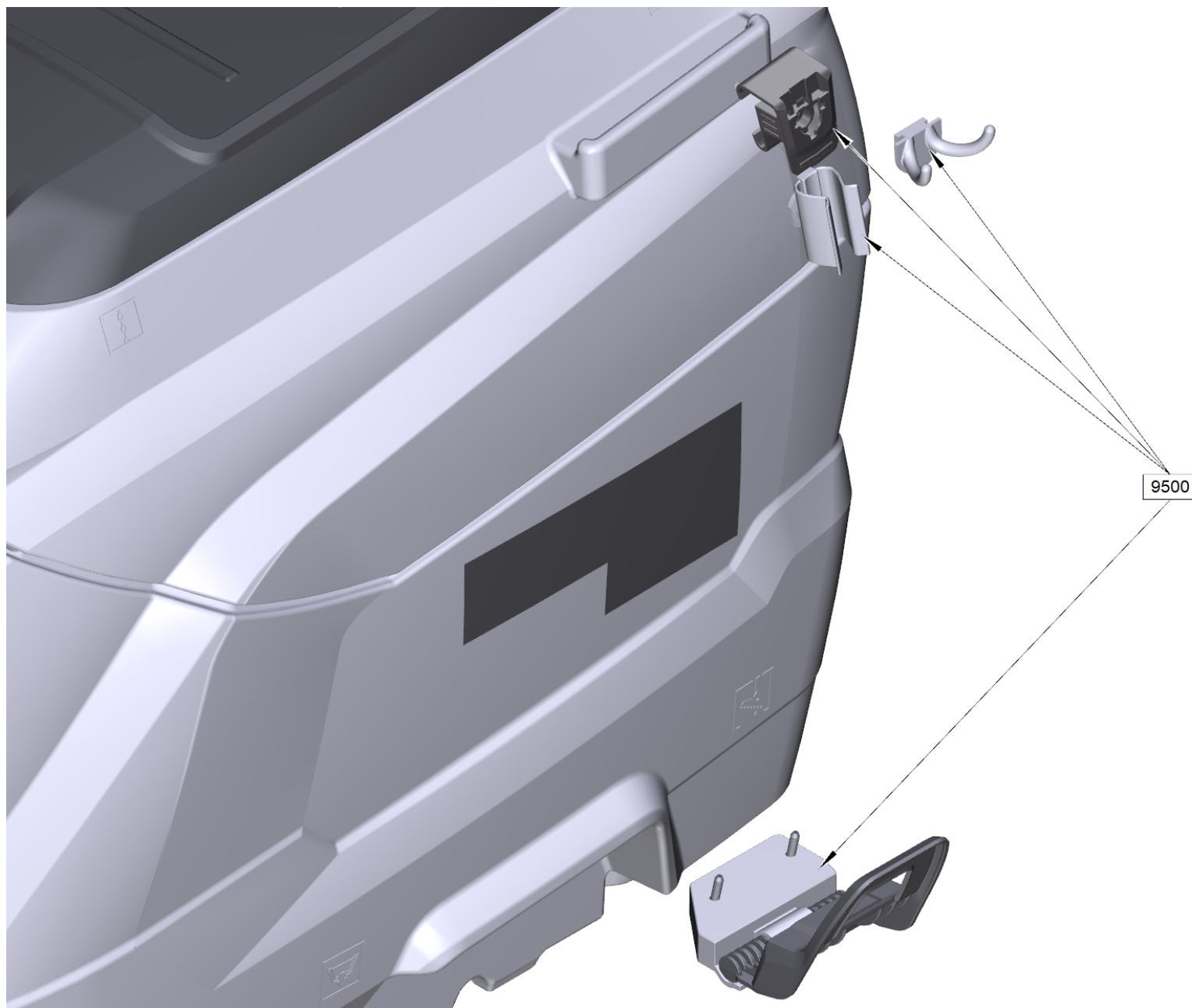
Table of contents

BD 43/25 C Classic Bp Pack 90Ah Li +FC (1.515-409.0)	4
10 Tank complete B 25 Bp Li	7
10 Fresh water tank replacement B25Bp (9.755-588.0)	13
30 Cap of a tank waste water replacement (9.755-479.0)	14
70 Float regulator complete (9.753-001.0)	16
120 Ball valve solenoid valve complete B25 24V	18
50 Solenoid valve 24V (6.472-004.0)	20
120 Solenoid valve complete replacement BD25+50 24V (9.753-101.0)	21
20 Solenoid valve 24V (6.472-004.0)	23
140 Drain hose with cover Yellow PU (9.753-293.0)	24
210 Label with clamp signet XL (4.385-004.0)	25
20 Electronics complete B 25 Bp Li (9.753-330.0)	26
10 Control circuit board replacement BD43/25 (4.683-405.0)	28
40 Cable harness BD43/25 C Lilon (4.823-246.0)	29
70 Electronics control system Gateway Li Ion (4.683-347.3)	30
40 Gear motor replacement 24V Hengye (9.755-519.0)	31
80 Carriage B 25 C Classic	33
90 Control panel B 25 C Bp	35
30 Handhold dead man's switch for replacement (9.772-082.0)	37
50 Handhold operational concept complete (4.035-608.0)	38
100 Brush-head complete B 25	40
10 Brush contact pressure complete B 25 (9.753-044.0)	44
40 Disc brush cpl. middle red 430 mm (4.905-022.0)	46
110 Suction bar lifting complete	48
10 Holder suction bar complete (4.035-583.0)	50
20 Holder suction bar (4.037-137.3)	52
20 Holder suction bar complete (4.035-583.0)	54
20 Holder suction bar (4.037-137.3)	56
9000 Holder suction bar complete (4.035-583.0)	58
20 Holder suction bar (4.037-137.3)	60
120 Retainer turbine complete B50 CS (9.753-004.0)	62
250 Suction bar v-shaped 750mm CN (4.777-115.0)	65
60 Profile pre-assembled right	67
70 Profile pre-assembled left	69
9000 Suction nipple complete (4.034-007.0)	71
9002 Support roller complete replacement (4.035-557.0)	73
9500 Set deflector roll stack formation SB (4.035-619.0)	75
260 Traction battery LIB 25,6V/90Ah (6.654-558.0)	77

Table of contents

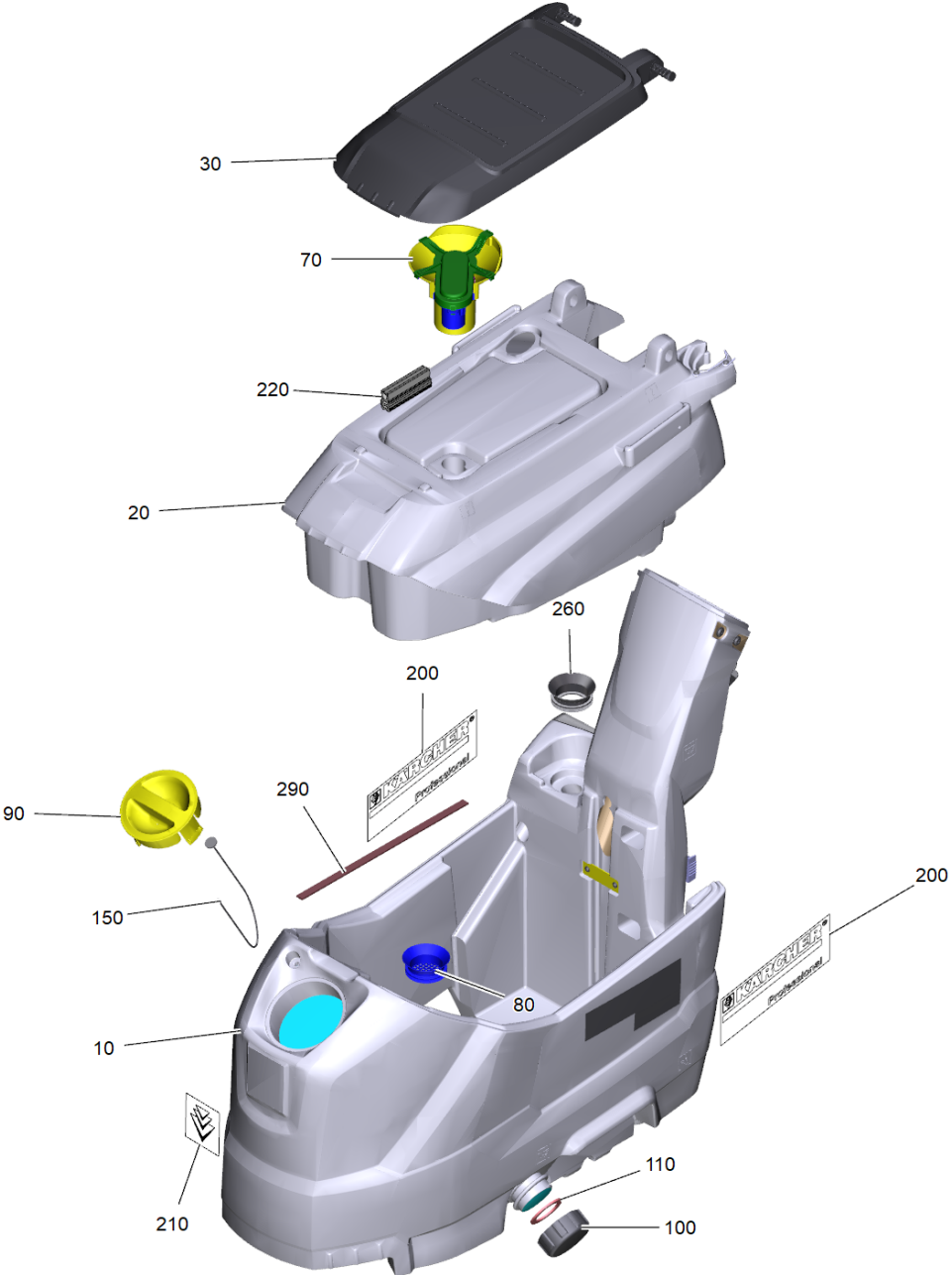
30 Cable adapter service Lilon Inventus (4.823-319.0)	78
9500 Mop holder complete (9.753-023.0)	79
9523 Mounting kit battery kit (2.638-036.0)	81
9530 Add-on kit equipment management Plug-in Connect (2.644-391.0)	83

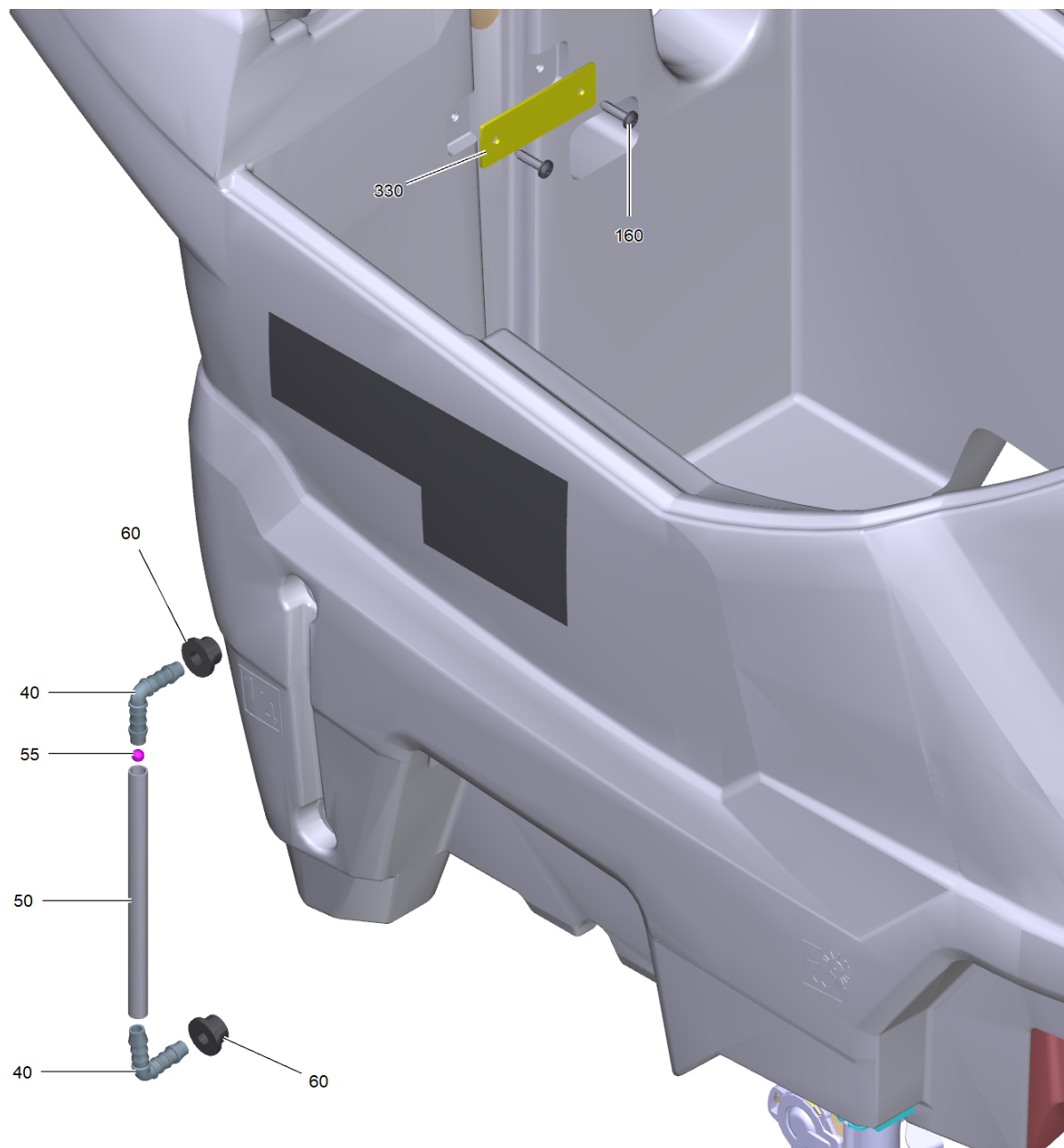


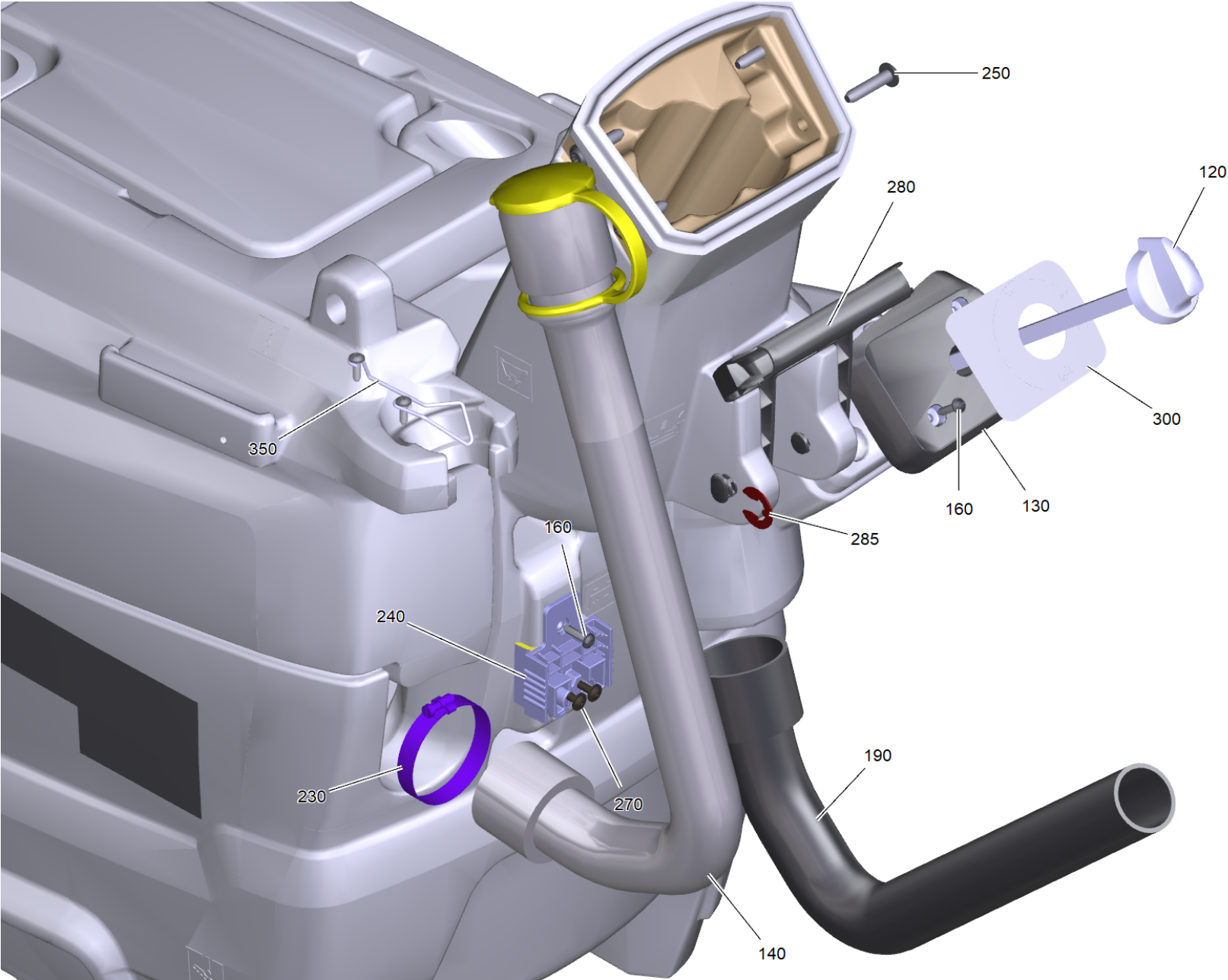


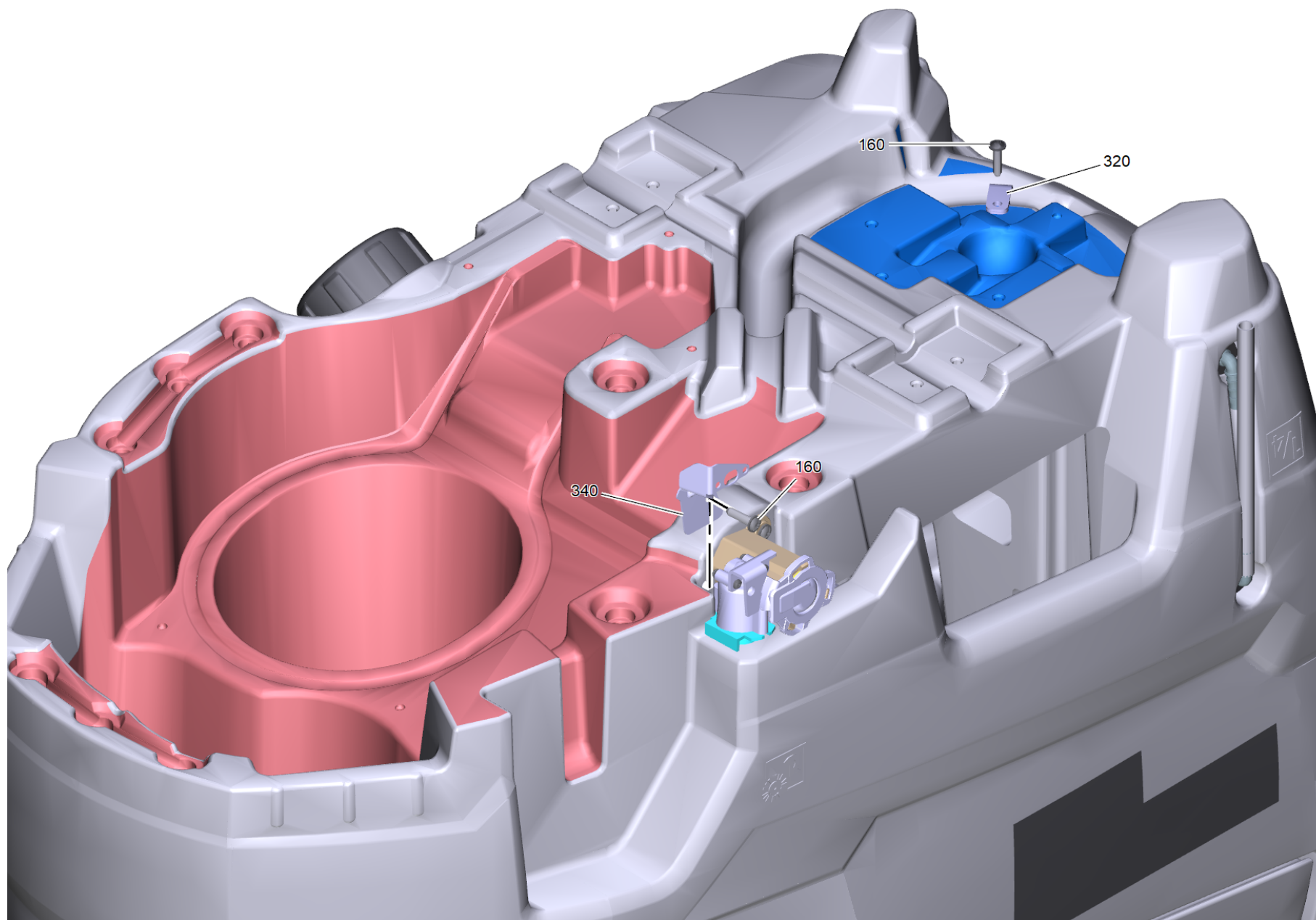
BD 43/25 C Classic Bp Pack 90Ah Li +FC (1.515-409.0)

POS	Article no.	Description	Quantity	Unit	Foot note text
10		Tank complete B 25 Bp Li	1	PC	VERSION 2: FOR DEVICES WITH SOLENOID VALVE
80		Carriage B 25 C Classic	1	PC	
90		Control panel B 25 C Bp	1	PC	
100		Brush-head complete B 25	1	PC	
110		Suction bar lifting complete	1	PC	
9523	2.638-036.0	Mounting kit battery kit	1	PC	
9530	2.644-391.0	Add-on kit equipment management Plug-in Connect	1	PC	
9521	2.815-090.0	Battery kit AGM 2x 12V/80Ah	1	SET	
9520	2.815-099.0	Battery kit Gel 2x 12V/76Ah	1	SET	
		Item text1: successor of 6.654-093.0			
100	4.036-111.0	Brush deck tank replacement BD43Bp	1	PC	
250	4.777-115.0	Suction bar v-shaped 750mm CN	1	PC	
31	4.823-277.0	Adapter cable Li-Ion	2	PC	
160	6.594-709.0	Cable tie 3,6x300	1	PC	
290	6.654-480.0	BCoffb 24V/50A Li-Ion 100-240V/50-60Hz	1	PC	
260	6.654-558.0	Traction battery LIB 25,6V/90Ah	1	PC	
150	7.303-108.0	Screw 5x20-10.9-R2R (In6Rd)	2	PC	
170	7.305-036.0	Countersunk screw M4x12 -A2-70-s (In6Rd)	2	PC	
120	9.753-004.0	Retainer turbine complete B50 CS	1	PC	
9500	9.753-023.0	Mop holder complete	1	PC	
20	9.753-330.0	Electronics complete B 25 Bp Li	1	PC	
30	9.753-342.0	Vacuum motor replacement	1	PC	
40	9.755-519.0	Gear motor replacement 24V Hengye	1	PC	Parallel key 6x6x35 C45 DIN 6885-1
130	9.763-051.0	Micro switch Bp	1	PC	
180	9.763-082.0	CORRUGATED TUBE NW17	2	PC	
140	9.763-743.3	Switch coding 24V	1	PC	
270	9.763-877.0	Distance holder 90x100x330	1	PC	









10 Tank complete B 25 Bp Li

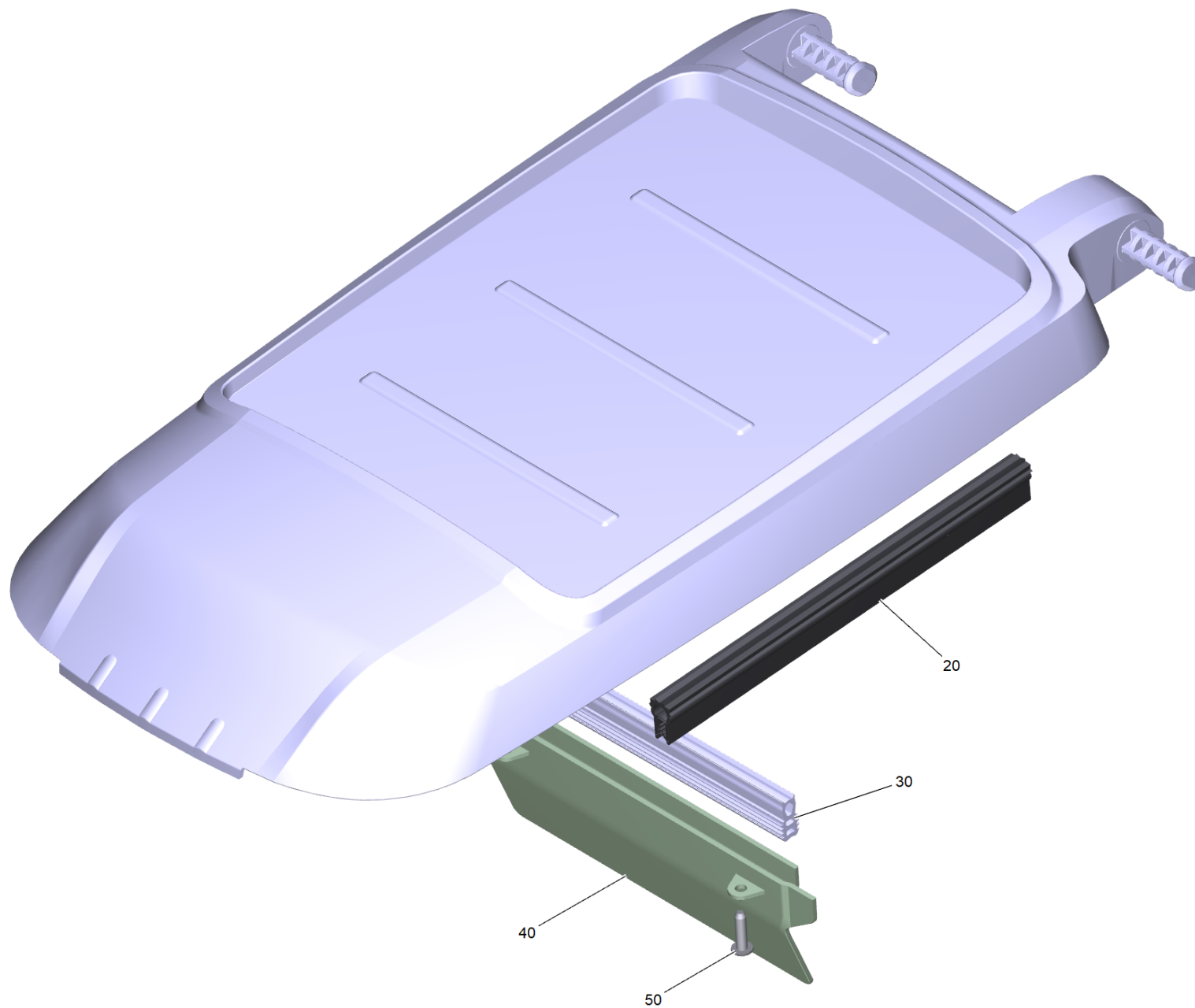
POS	Article no.	Description	Quantity	Unit
20		Waste water tank B 25 BP	1	PC
		Item text1: replaced by 9.772-075.3		
120		Ball valve solenoid valve complete B25 24V	1	PC
210	4.385-004.0	Label with clamp signet XL	1	PC
150	5.035-358.3	Mounting rope cover fresh water tank packed	1	PC
60	5.035-608.0	Wire protecting sleeve	2	PC
200	5.385-513.0	Label logo glued XL	2	PC
55	6.035-072.0	Sphere level indicator D6	1	PC
250	6.303-315.0	Screw 8 x 35	4	PC
270	6.304-131.0	Oval head screw M5x30	2	PC
230	6.388-713.0	Hose clip	1	PC
40	6.391-913.0	Elbow nipple	2	PC
160	7.303-108.0	Screw 5x20-10.9-R2R (In6Rd)	10	PC
70	9.753-001.0	Float regulator complete	1	PC
120	9.753-101.0	Solenoid valve complete replacement BD25+50 24V	1	PC
140	9.753-293.0	Drain hose with cover Yellow PU	1	PC
30	9.755-479.0	Cap of a tank waste water replacement	1	PC
130	9.755-480.0	Covering cap ball valve replacement	1	PC
220	9.755-482.0	Sealing profile replacement	1	PC
		Item text1: successor of 9.763-050.0		
290	9.755-483.0	Sealing tape cellularrubber replacement	1	PC
10	9.755-588.0	Fresh water tank replacement B25Bp	1	PC
		Item text1: replaced by 9.772-074.3		
350	9.755-694.0	Wire bracket hose replacement	1	PC
100	9.763-007.0	Cover fresh water tank	1	PC
110	9.763-008.0	Seal fresh water discharge	1	PC
80	9.763-012.0	Seal turbine strainer	1	PC
280	9.763-041.0	Lever suction beam retraction	1	PC
260	9.763-043.0	Seal suction bar air	1	PC
220	9.763-050.0	Sealing profile 1200mm	1	PC
300	9.763-060.0	Label water regulation	1	PC
285	9.763-079.0	Lock washer	1	PC
320	9.763-116.0	Cable clamp 16	1	PC

10 Tank complete B 25 Bp Li

POS	Article no.	Description	Quantity	Unit
50	9.763-121.0	Silicon hose level indicator	1	PC
330	9.763-259.0	Cable support plate	1	PC
340	9.763-369.0	Retaining plate solenoid valve BD50 25	1	PC
240	9.763-758.0	Retainer battery plug Anderson	1	PC
190	9.763-832.0	Suction hose DN32	1	PC
90	9.763-925.0	Cover fresh water metering RM	1	PC
10	9.772-074.0	Fresh water tank B 25 BP	1	PC
	Item text1: replaced by 9.772-074.3			
10	9.772-074.3	Fresh water tank for replacement B 25 BP	1	PC
	Item text1: successor of 9.755-588.0			
20	9.772-075.3	Waste water tank for replacement B 25 BP	1	PC
	Item text1: successor of 9.772-075.0			

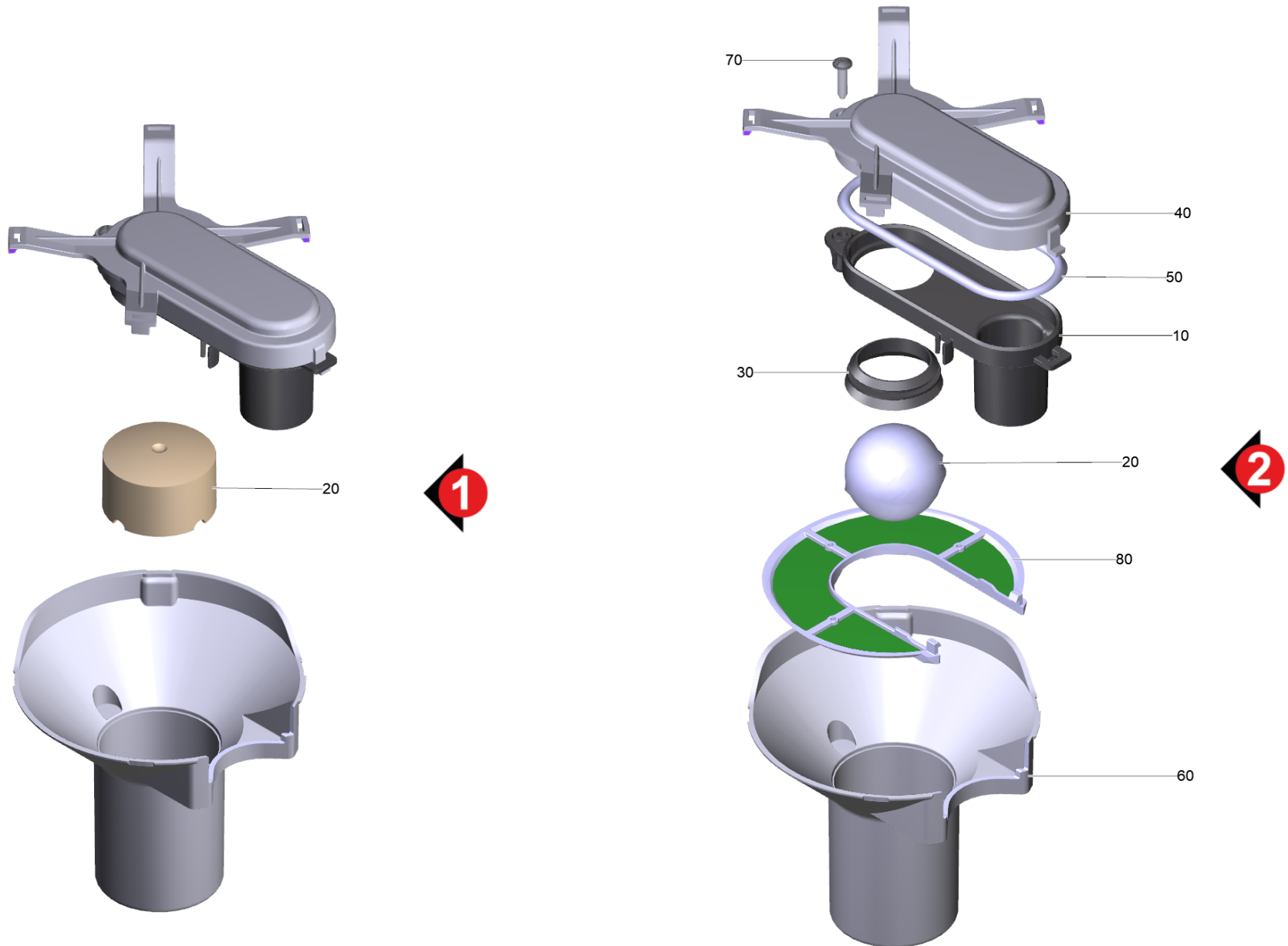
10 Fresh water tank replacement B25Bp (9.755-588.0)

POS	Article no.	Description	Quantity	Unit
10		Fresh water tank B 25 BP	1	PC
20	5.394-081.0	Label signet gel 78x86	1	PC
30	9.763-202.0	Sealing tape cellularrubber 8x5	1	PC



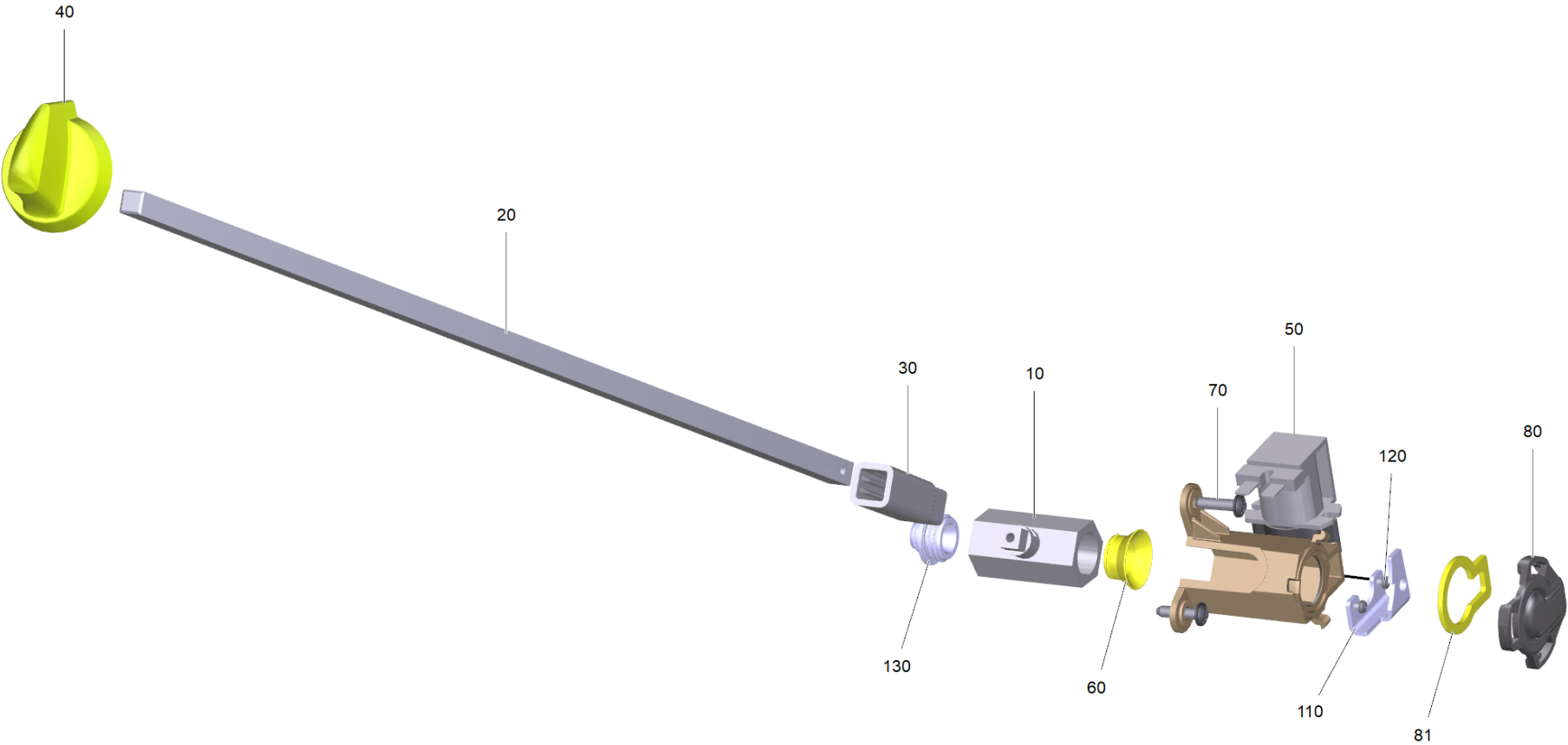
30 Cap of a tank waste water replacement (9.755-479.0)

POS	Article no.	Description	Quantity	Unit
50	7.303-108.0	Screw 5x20-10.9-R2R (In6Rd)	2	PC
20	9.755-482.0	Sealing profile replacement	1	PC
40	9.763-871.0	Bulkhead cover waste water tank	1	PC
30	9.763-872.0	Sealing profile baffle plate 184mm	1	PC



70 Float regulator complete (9.753-001.0)

POS	Article no.	Description	Quantity	Unit	Foot note text
70	7.303-108.0	Screw 5x20-10.9-R2R (In6Rd)	1	PC	
10	9.763-003.0	Float regulator bottom part	1	PC	
30	9.763-004.0	Seal float regulator	1	PC	
20	9.763-034.0	Cone float regulator	1	PC	VERSION 1
50	9.763-044.0	Seal string cellular rubber float regula	1	PC	
60	9.763-047.0	Float cage	1	PC	
20	9.763-333.0	Floater ball	1	PC	VERSION 2
80	9.763-958.0	Strainer float regulator yellow	1	PC	
40	9.763-959.0	Cover plate float regulator yellow	1	PC	

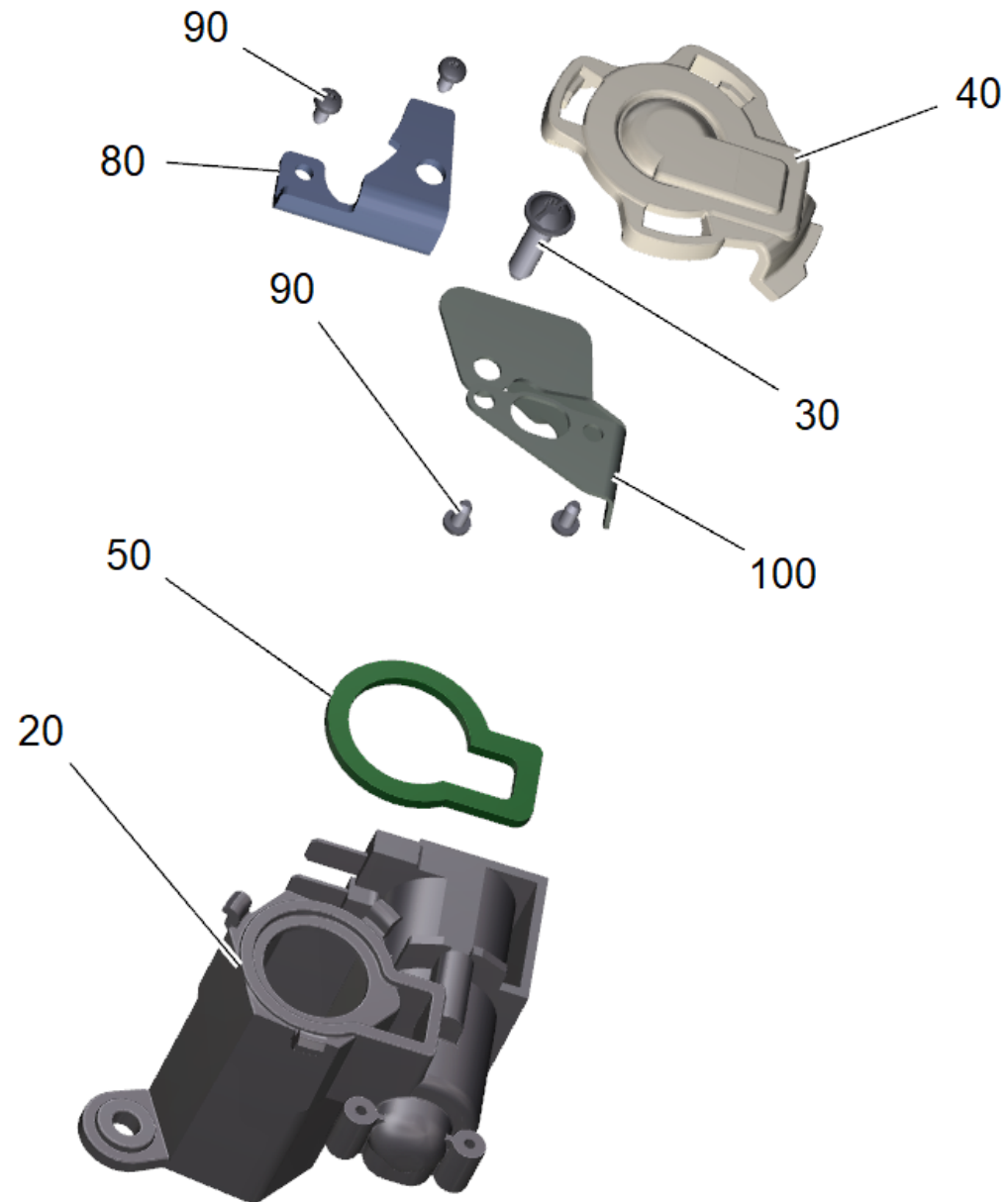


120 Ball valve solenoid valve complete B25 24V

POS	Article no.	Description	Quantity	Unit	Foot note text
40	5.035-404.0	Handle	1	PC	
30	5.035-459.0	Coupler piece ball valve	1	PC	
80	5.037-510.0	Cover plate ball valve solenoid valve	1	PC	
81	5.037-512.0	Seal cover solenoid valve	1	PC	
50	6.472-004.0	Solenoid valve 24V	1	PC	
70	7.303-108.0	Screw 5x20-10.9-R2R (In6Rd)	2	PC	
120	7.303-334.0	Screw 3x6 -A2-70 (In6Rd)	4	PC	
10	9.753-417.0	Ball valve G 1/2" for replacement	1	PC	
20	9.763-069.0	Bar ball valve	1	PC	
10	9.763-084.0	Ball valve G 1/2"	1	PC	
	Item text1: replaced by 9.753-417.0				
110	9.763-384.0	Plate cover solenoid valve BD 50 25	1	PC	
60	9.763-739.0	Seal ball valve	1	PC	
130	9.763-907.0	Seal ball valve D12,5	1	PC	VERSION 2
130	9.763-908.0	Seal ball valve D16,5	1	PC	VERSION 1

50 Solenoid valve 24V (6.472-004.0)

POS	Article no.	Description	Quantity	Unit
20	5.037-510.0	Cover plate ball valve solenoid valve	1	PC
10	5.037-512.0	Seal cover solenoid valve	1	PC



120 Solenoid valve complete replacement BD25+50 24V (9.753-101.0)

POS	Article no.	Description	Quantity	Unit
40	5.037-510.0	Cover plate ball valve solenoid valve	1	PC
50	5.037-512.0	Seal cover solenoid valve	1	PC
20	6.472-004.0	Solenoid valve 24V	1	PC
30	7.303-108.0	Screw 5x20-10.9-R2R (In6Rd)	1	PC
90	7.303-334.0	Screw 3x6 -A2-70 (In6Rd)	4	PC
100	9.763-369.0	Retaining plate solenoid valve BD50 25	1	PC
80	9.763-384.0	Plate cover solenoid valve BD 50 25	1	PC

20 Solenoid valve 24V (6.472-004.0)

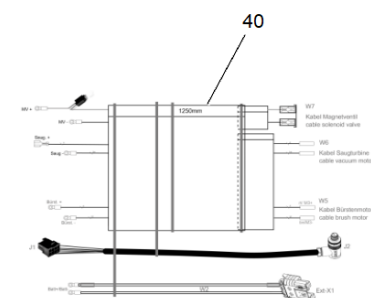
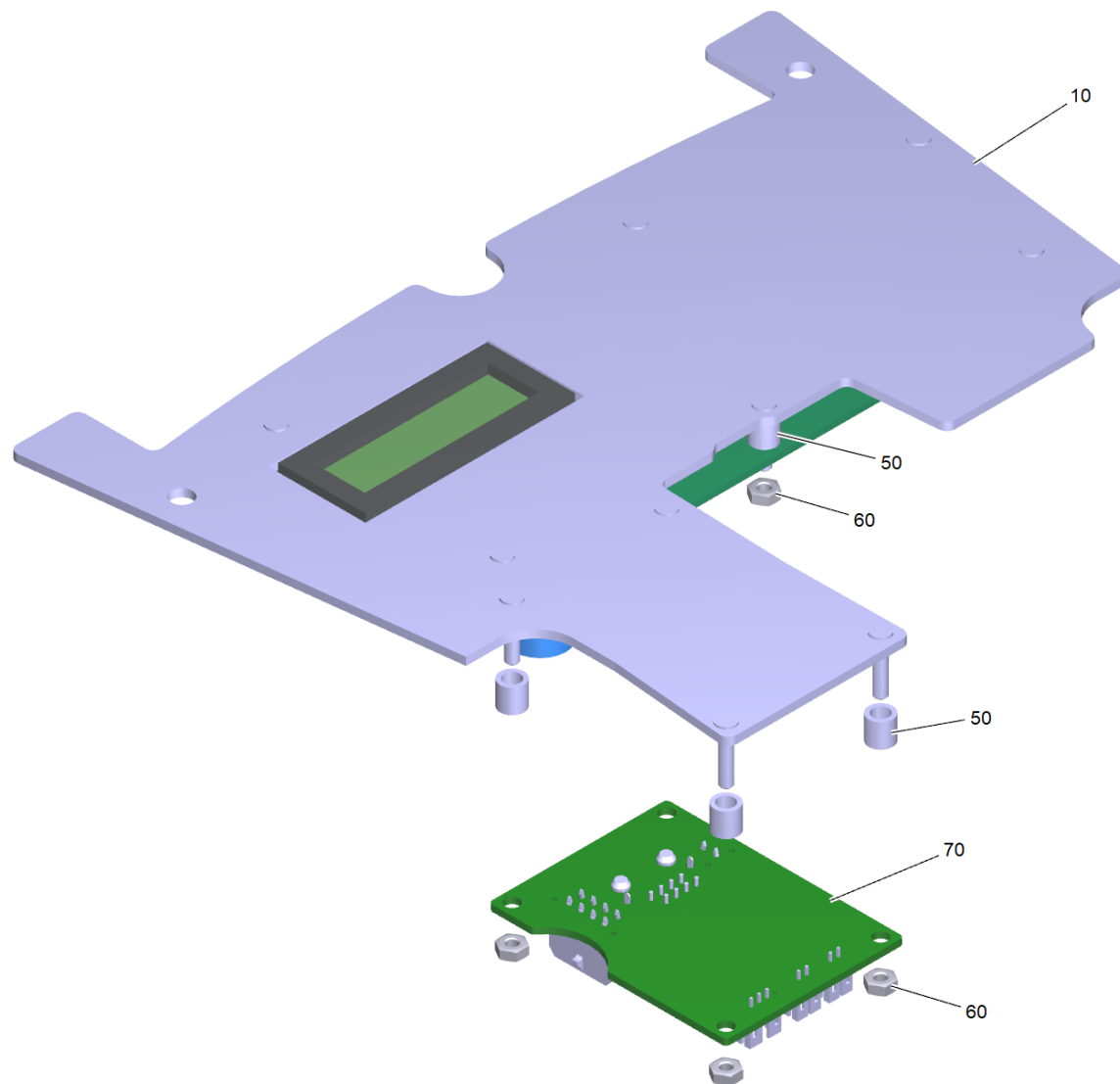
POS	Article no.	Description	Quantity	Unit
20	5.037-510.0	Cover plate ball valve solenoid valve	1	PC
10	5.037-512.0	Seal cover solenoid valve	1	PC

140 Drain hose with cover Yellow PU (9.753-293.0)

POS	Article no.	Description	Quantity	Unit
10	9.763-831.0	Cover Drain hose Yellow PU	1	PC

210 Label with clamp signet XL (4.385-004.0)

POS	Article no.	Description	Quantity	Unit
1	6.385-523.0	Clamp	5	PC



20 Electronics complete B 25 Bp Li (9.753-330.0)

POS	Article no.	Description	Quantity	Unit
70	4.683-347.3	Electronics control system Gateway Li Ion	1	PC
10	4.683-405.0	Control circuit board replacement BD43/25	1	PC
40	4.823-246.0	Cable harness BD43/25 C Lilon	1	PC
50	5.035-962.0	Sleeve	10	PC
60	7.311-000.0	Hexagon nut M3 -6-A2E ISO 4032	10	PC

10 Control circuit board replacement BD43/25 (4.683-405.0)

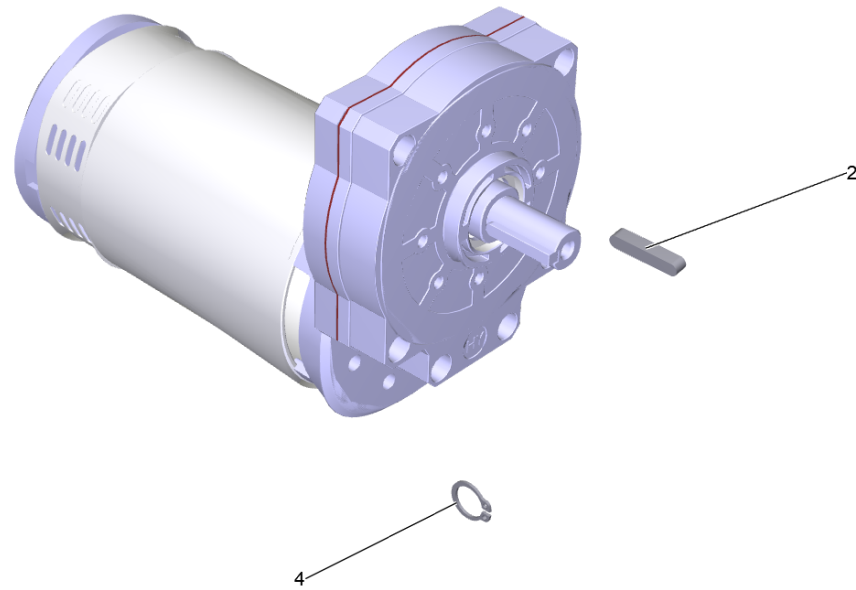
POS	Description	Quantity	Unit
30	Software electronics control system BD43/25	1	PC

40 Cable harness BD43/25 C Lilon (4.823-246.0)

POS	Article no.	Description	Quantity	Unit
10	6.646-319.0	Plug two-pole 80A	1	PC

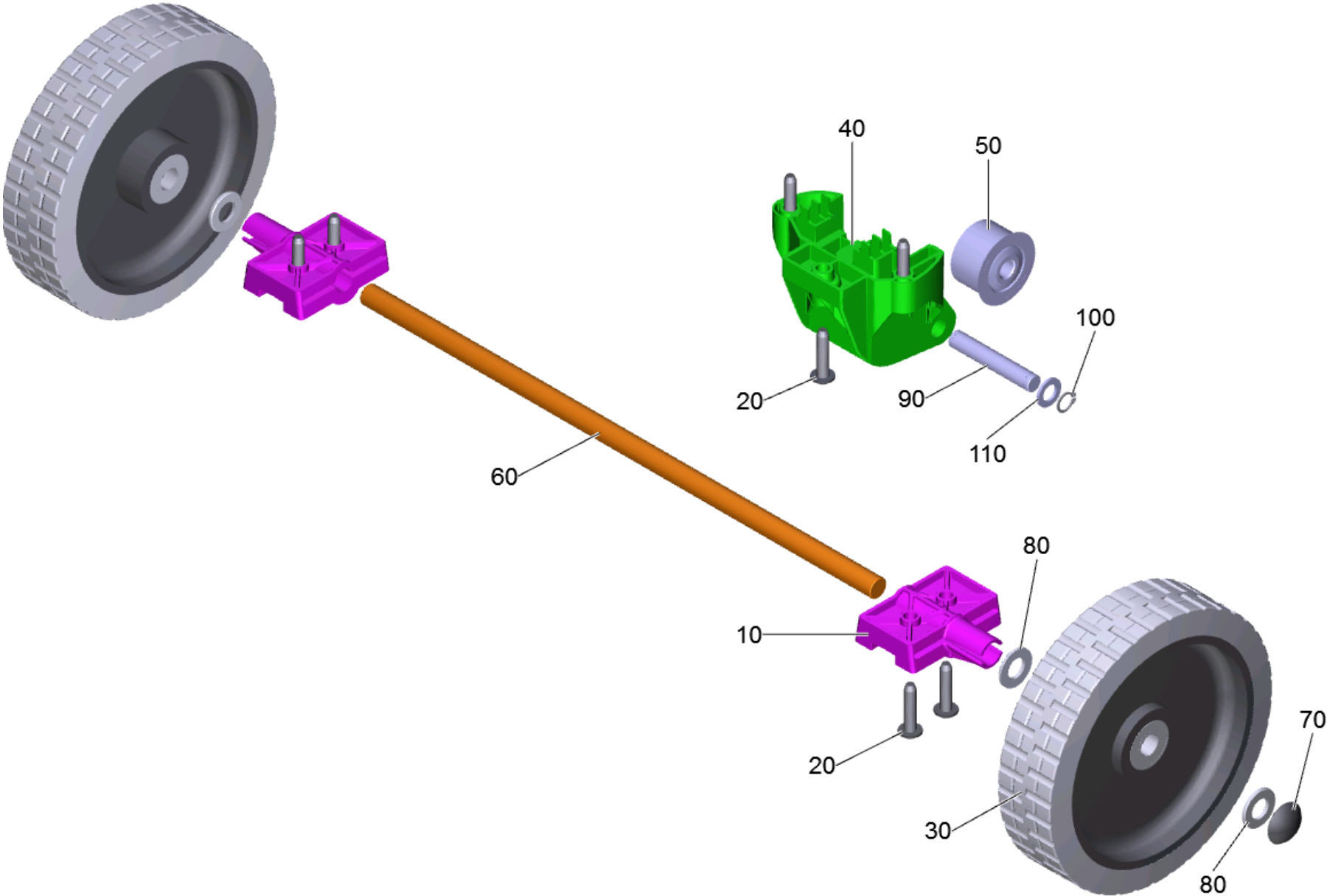
70 Electronics control system Gateway Li Ion (4.683-347.3)

POS	Article no.	Description	Quantity	Unit
30	6.684-140.0	Software control system Gateway Lilon	1	PC



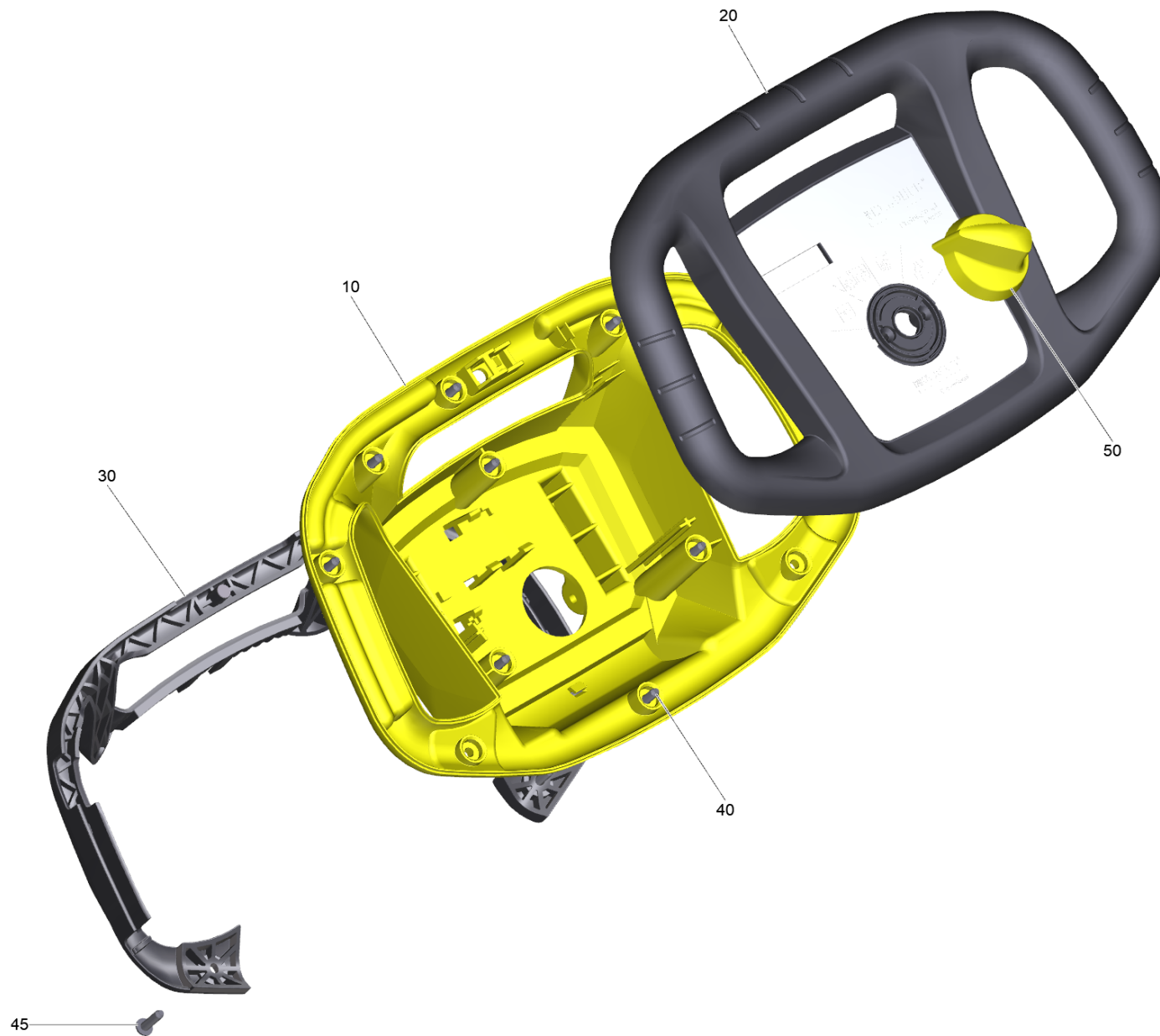
40 Gear motor replacement 24V Hengye (9.755-519.0)

POS	Article no.	Description	Quantity	Unit
2	7.318-032.0	Parallel key 6x6x32-C45K DIN 6885	1	PC
4	7.343-083.0	Locking ring 12x1-FSt DIN 471	1	PC
1	9.755-590.0	Carbon brush set Hengye 24V	1	PC



80 Carriage B 25 C Classic

POS	Article no.	Description	Quantity	Unit
20	6.303-315.0	Screw 8 x 35	7	PC
70	6.343-240.0	Lock washer	2	PC
80	7.312-028.0	Washer 14-200HV-A2K ISO 7089	4	PC
100	7.343-083.0	Locking ring 12x1-FSt DIN 471	2	PC
10	9.753-415.0	Holder axle for replacement	2	PC
	Item text1: successor of 9.763-015.0			
90	9.763-006.0	Axle tipping roll	1	PC
60	9.763-014.0	Axle	1	PC
10	9.763-015.0	Holder axle	2	PC
	Item text1: replaced by 9.753-415.0			
40	9.763-016.0	Holder transport wheel	1	PC
50	9.763-053.0	Roller with ball bearing	1	PC
30	9.763-081.0	Wheel D200	2	PC
	Item text1: replaced by 9.772-077.0			
110	9.763-083.0	Washer D12	2	PC
30	9.772-077.0	Wheel for replacement D200	2	PC
	Item text1: successor of 9.763-081.0			

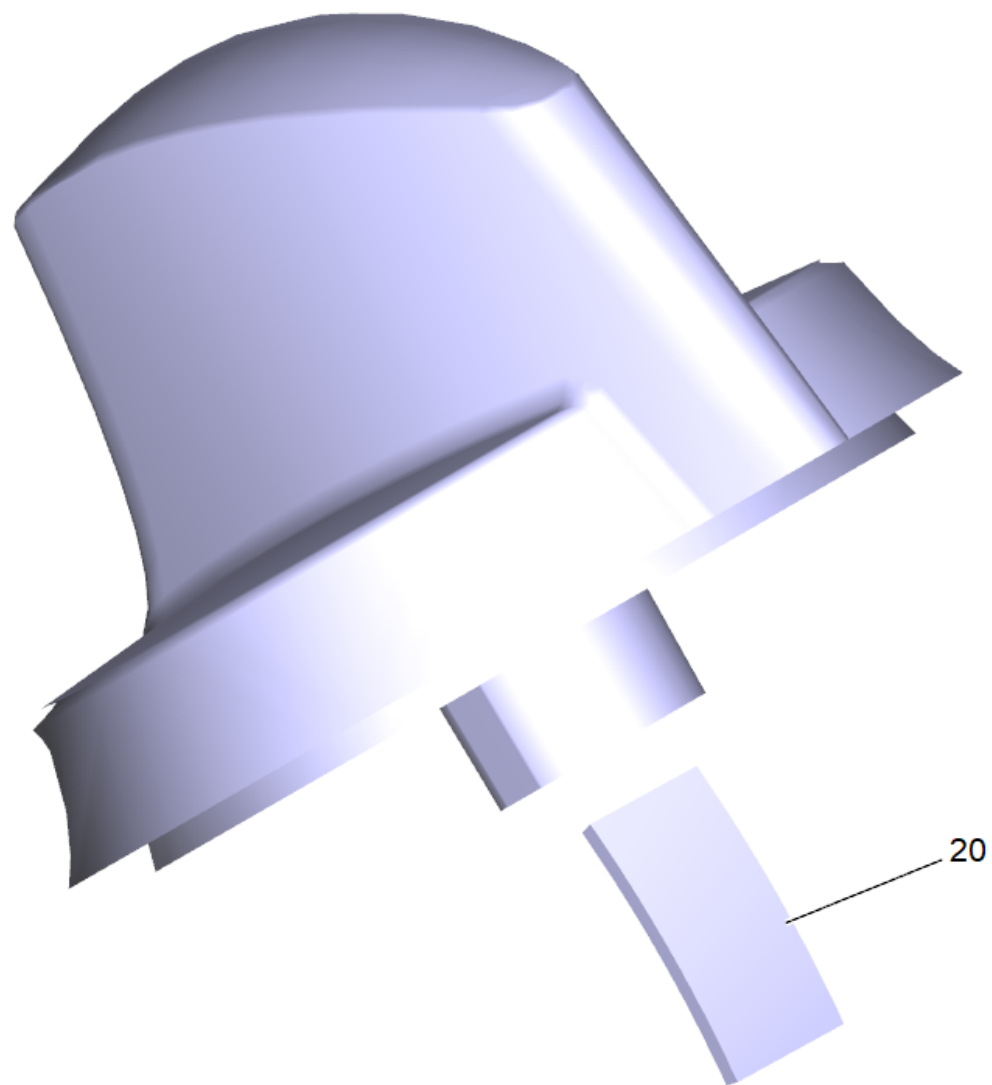


90 Control panel B 25 C Bp

POS	Article no.	Description	Quantity	Unit
50	4.035-608.0	Handhold operational concept complete	1	PC
40	7.303-108.0	Screw 5x20-10.9-R2R (In6Rd)	9	PC
45	7.303-109.0	Screw 5x25-10.9-R2R (In6Rd)	2	PC
10	9.755-490.0	Control panel bottom part replacement	1	PC
20	9.755-544.0	Control panel top part replacement	1	PC
30	9.763-029.0	Dead man's switch handhold	1	PC
30	9.772-082.0	Handhold dead man's switch for replacement	1	PC
	Item text1: successor of 9.763-029.0			

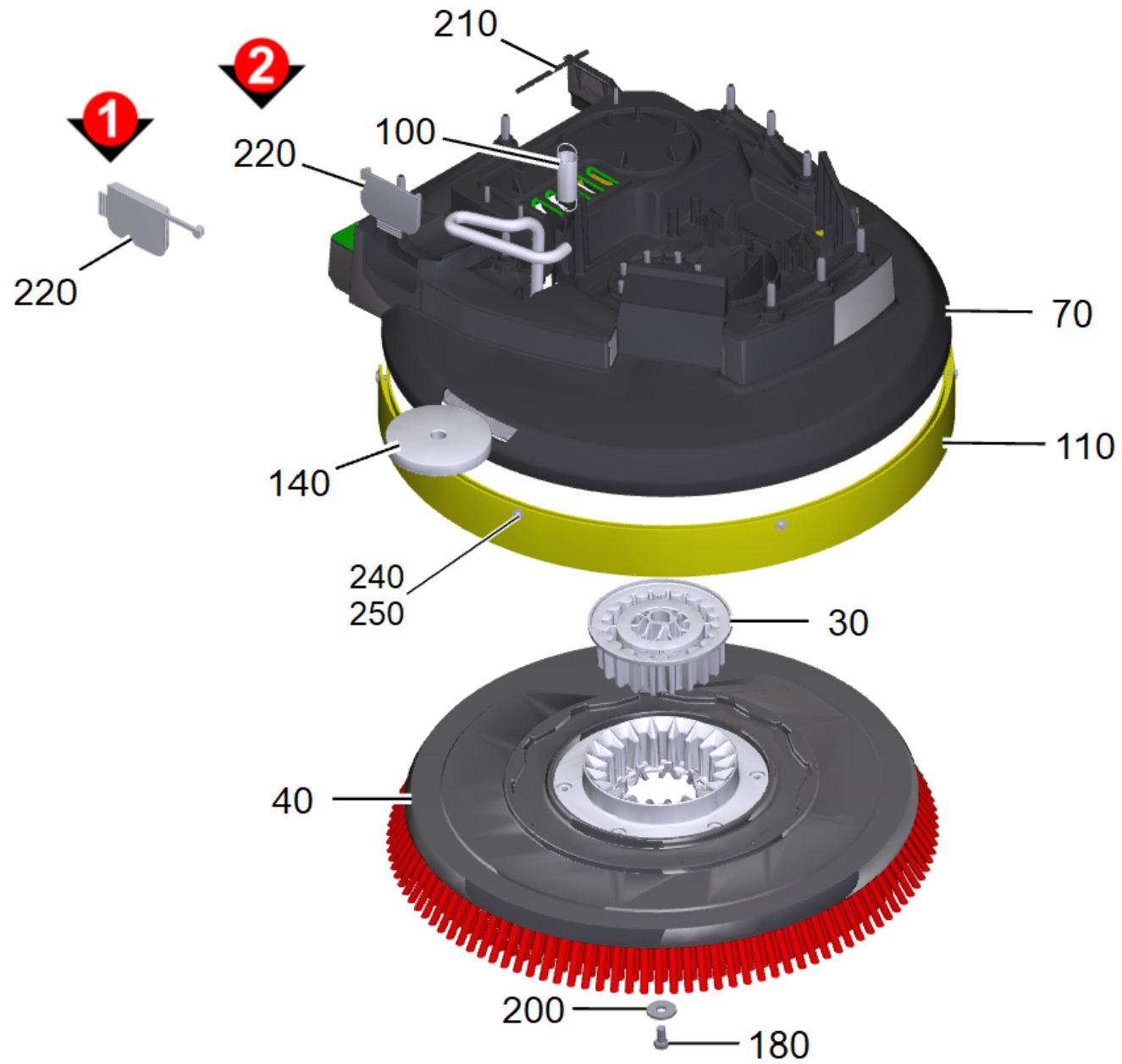
30 Handhold dead man's switch for replacement (9.772-082.0)

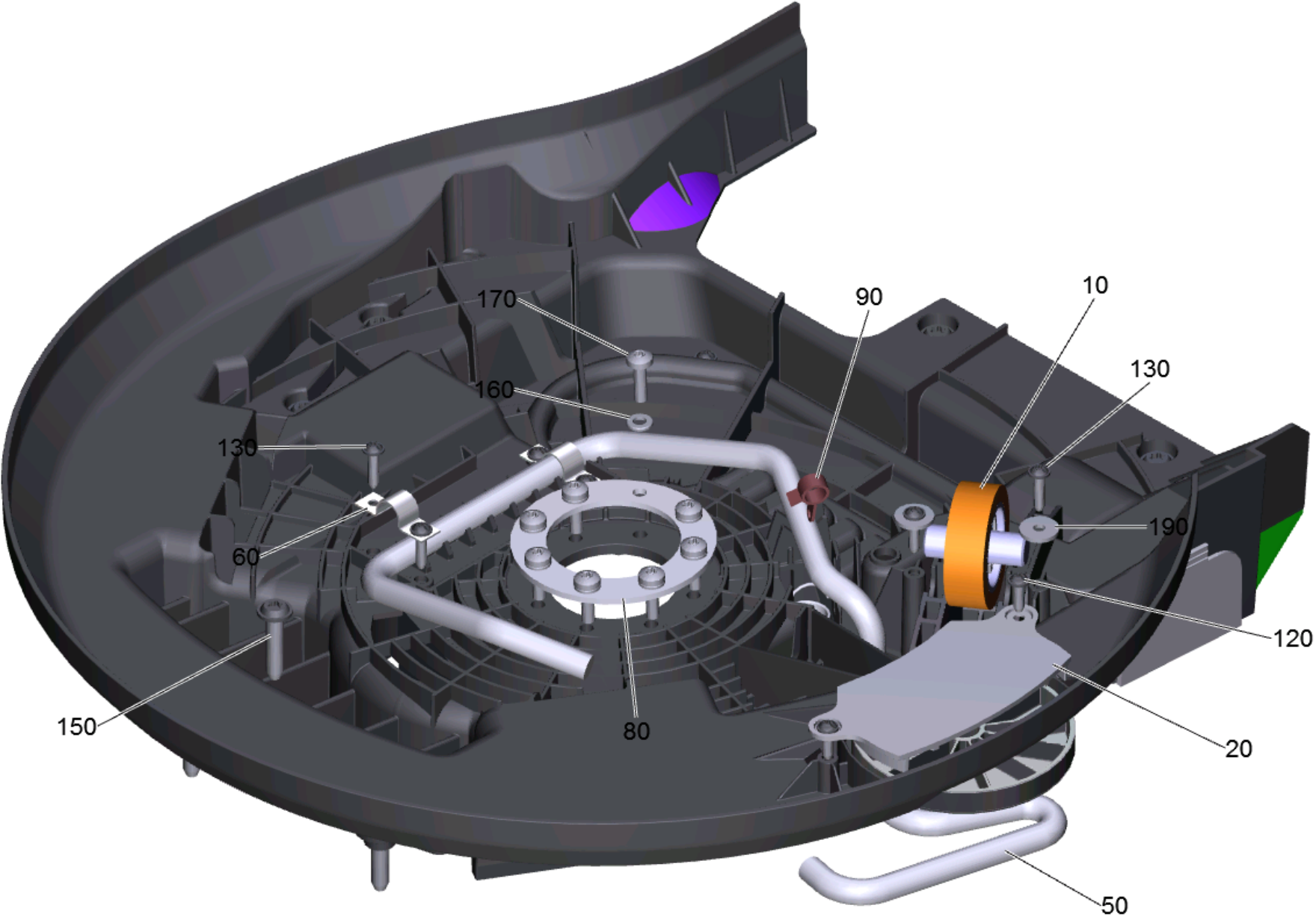
POS	Article no.	Description	Quantity	Unit
10	7.777-999.0	Stockpiling discontinued	1	PC

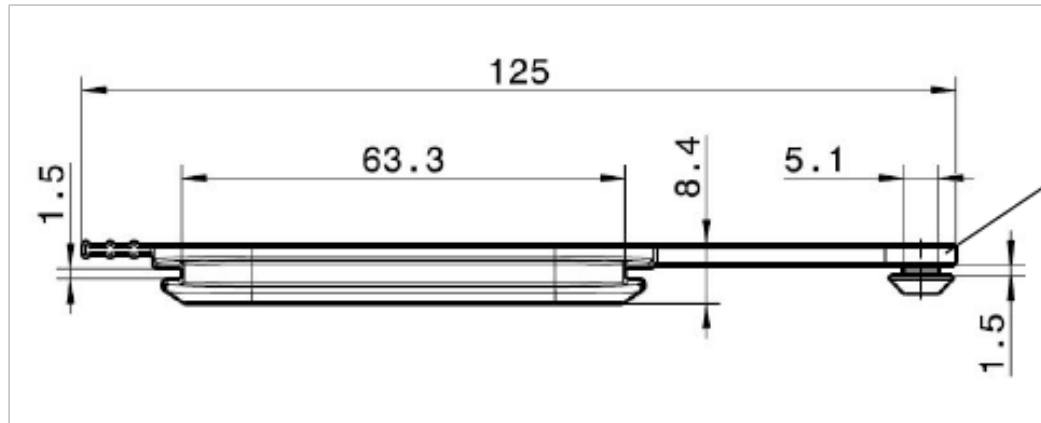


50 Handhold operational concept complete (4.035-608.0)

POS	Article no.	Description	Quantity	Unit
20	6.313-014.0	Spring element	1	PC

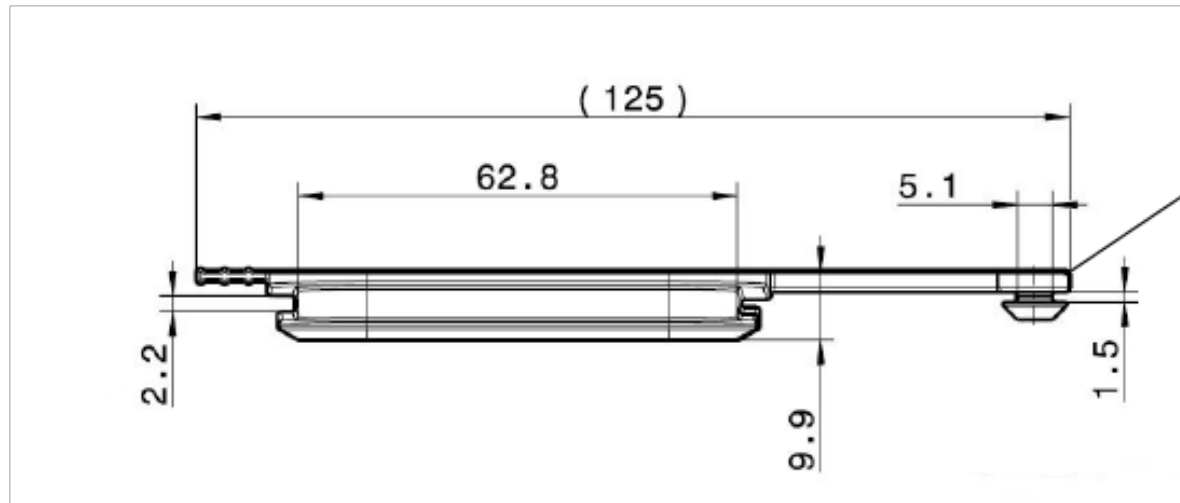






220

Version 1

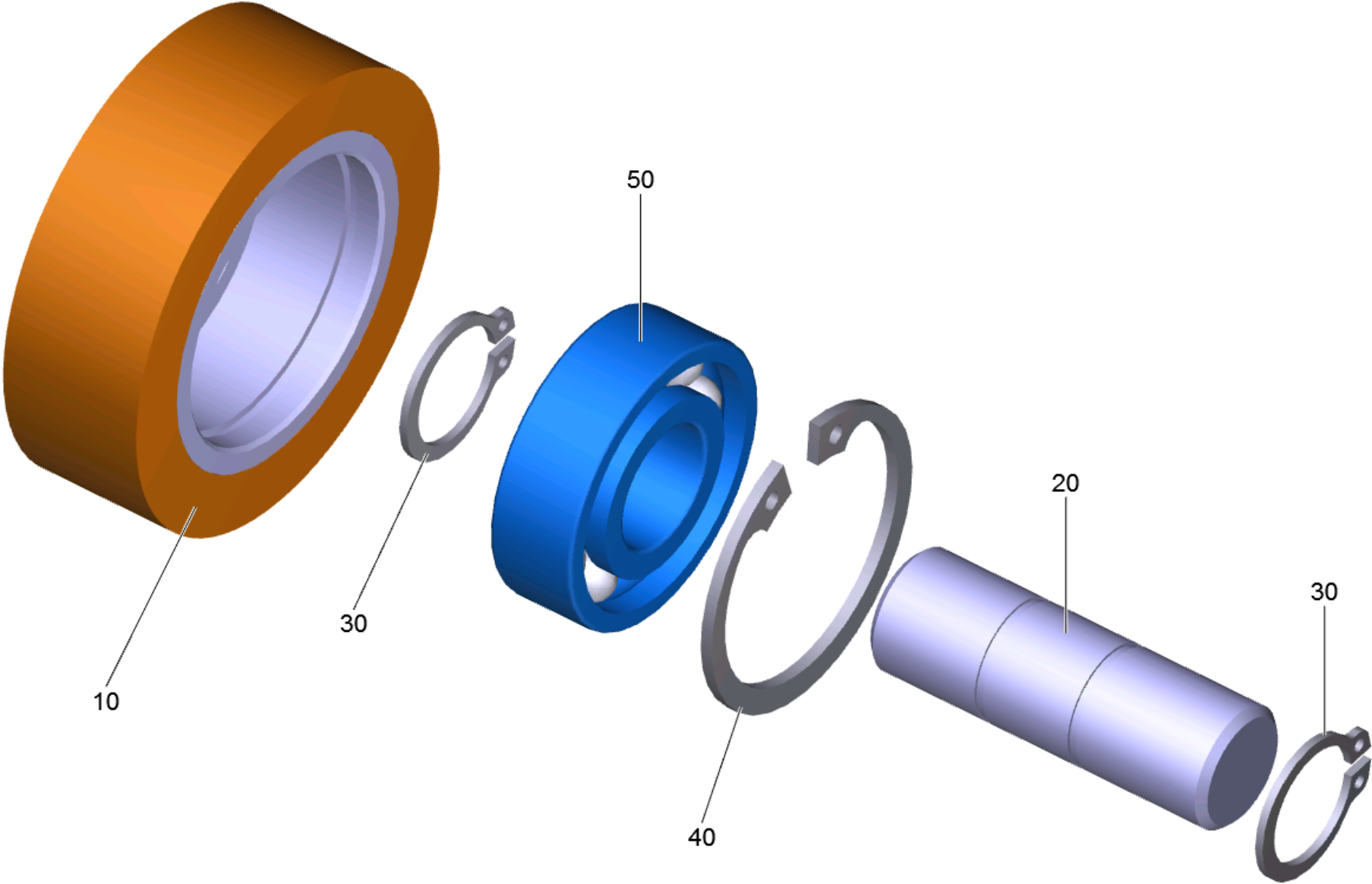


220

Version 2

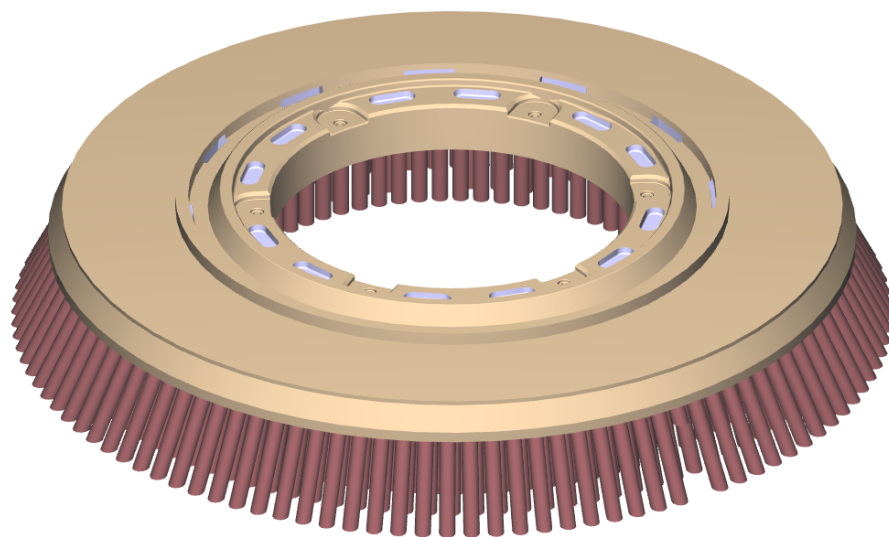
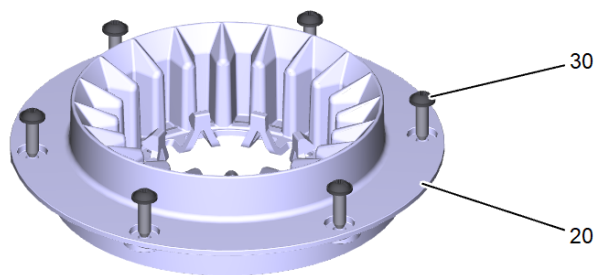
100 Brush-head complete B 25

POS	Article no.	Description	Quantity	Unit	Foot note text
40	4.905-022.0	Disc brush cpl. middle red 430 mm	1	PC	
20	5.035-498.0	Fixing deflector roll	1	PC	
140	5.035-499.0	Deflector roll	1	PC	
30	5.037-537.0	Retainer transmission	1	PC	
	Item text1: replaced by 9.772-079.0				
80	5.039-179.0	Threaded plate	1	PC	
150	6.303-315.0	Screw 8 x 35	9	PC	
60	6.373-689.0	Pipe clamp	2	PC	
90	6.388-559.0	Hose clip	1	PC	
240	7.303-004.0	Sheet metal screw ST3,5x9,5-C-A2-70 (In6Rd)	6	PC	
120	7.303-107.0	Screw 5x16-10.9-P2R (K-In6Rd)	2	PC	
130	7.303-108.0	Screw 5x20-10.9-R2R (In6Rd)	9	PC	
180	7.304-395.0	Hexagonal head screw M8x16-8.8-A2E ISO	1	PC	
160	7.312-026.0	Washer 6 -A2 ISO 7089	8	PC	
	Item text1: successor of 6.614-022.0				
190	7.312-267.0	Washer 5-A2 ISO 7094	2	PC	
200	7.312-268.0	Washer 8-A2 ISO 7094	1	PC	
250	7.312-293.0	Washer 4-A2 ISO 7093-1	6	PC	
10	9.753-044.0	Brush contact pressure complete B 25	1	PC	
70	9.755-545.0	Covering cap brush-head replacement D43	1	PC	VERSION 1: FOR MACHINES WITHOUT SOLENOID VALVE
70	9.755-639.0	Covering cap brush-head for replacement	1	PC	VERSION 2: FOR DEVICES WITH SOLENOID VALVE
50	9.763-023.0	Retaining bracket discharge	1	PC	
210	9.763-046.0	Seal string cellular rubber turbine	1	PC	
100	9.763-076.0	Extension spring	1	PC	
170	9.763-194.0	Screw M6x20 -A2-70 Scotchgrip	8	PC	
220	9.763-325.0	Rubber cover ball valve	1	PC	VERSION 2: FOR DEVICES WITH SOLENOID VALVE
110	9.763-708.0	Splash-proof profile power brush B43 PVC	1	PC	
220	9.763-732.0	Rubber stopper ball valve	1	PC	VERSION 1: FOR MACHINES WITHOUT SOLENOID VALVE
30	9.772-079.0	Retainer transmission for replacement	1	PC	
	Item text1: replaced by 9.772-079.0				



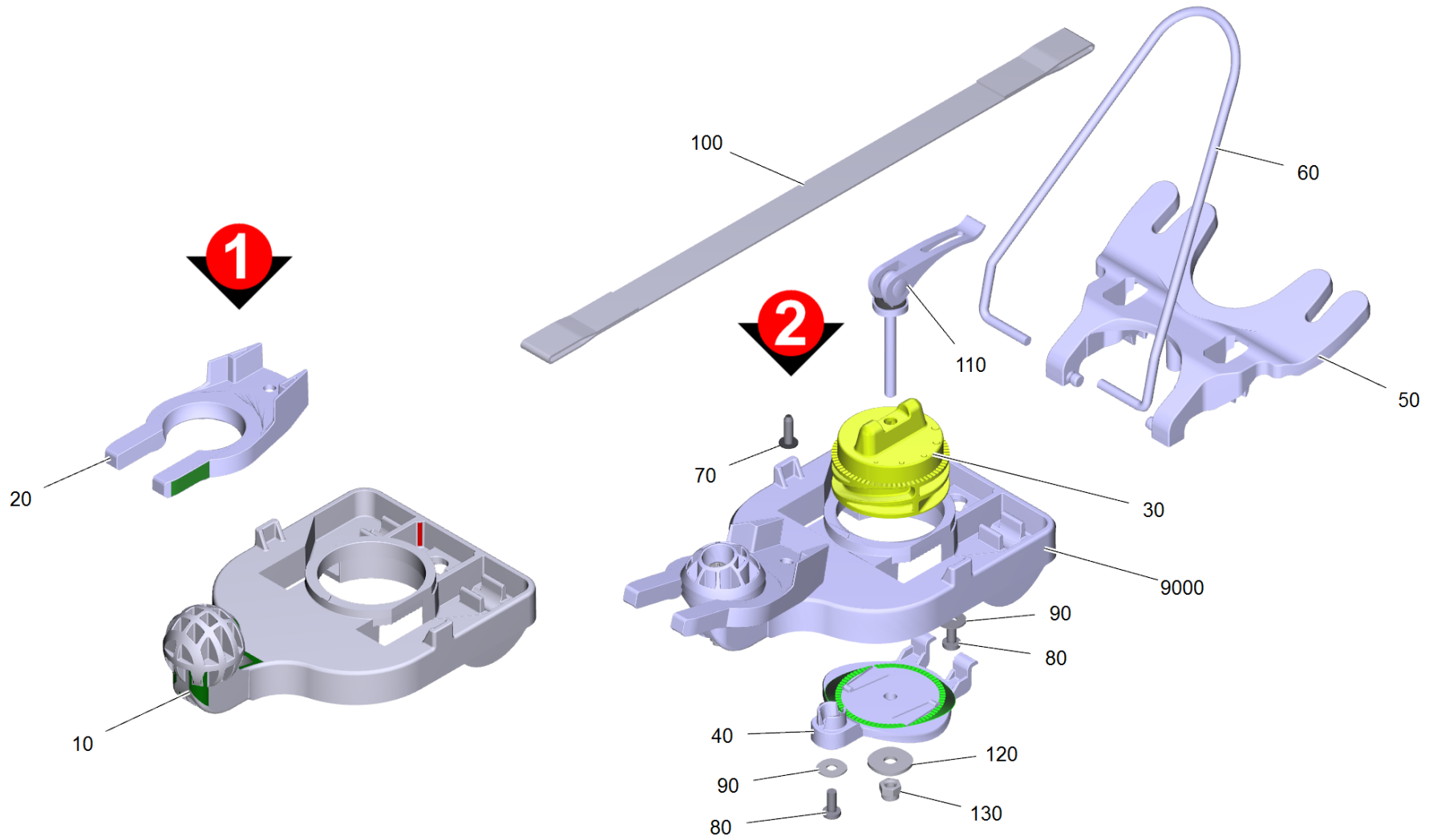
10 Brush contact pressure complete B 25 (9.753-044.0)

POS	Article no.	Description	Quantity	Unit
50	4.401-198.0	Ball bearing 6202-2RS -Wälzl.St DIN 625	1	PC
30	7.343-015.0	Locking ring 15x1-FST-RF DIN 471	2	PC
40	7.343-167.0	Locking ring 35x1,5-FST-BR DIN 472	1	PC
20	9.763-022.0	Axle pressure roller	1	PC
10	9.763-063.0	Roller D56	1	PC
	Item text1: replaced by 9.772-078.0			
10	9.772-078.0	Roller D56 for replacement	1	PC
	Item text1: successor of 9.763-063.0			



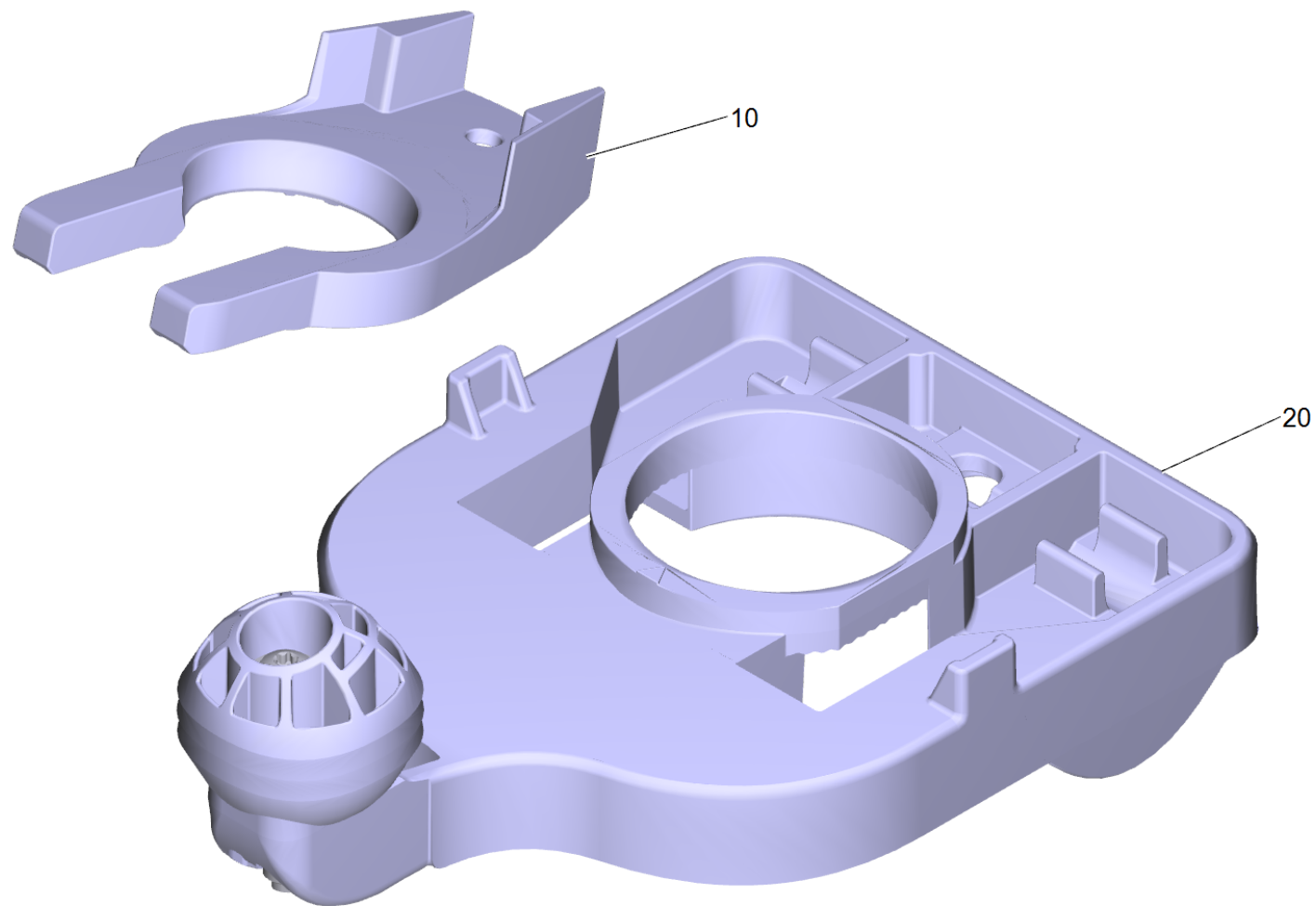
40 Disc brush cpl. middle red 430 mm (4.905-022.0)

POS	Article no.	Description	Quantity	Unit
20	5.033-002.0	Retainer brush SWS	1	PC
30	6.303-174.0	Screw 6,0X20-ST-A2R	6	PC
30	9.761-037.0	Screw 6,0x20-ST-A2R	6	PC
Item text1:		replaced by 6.303-174.0		



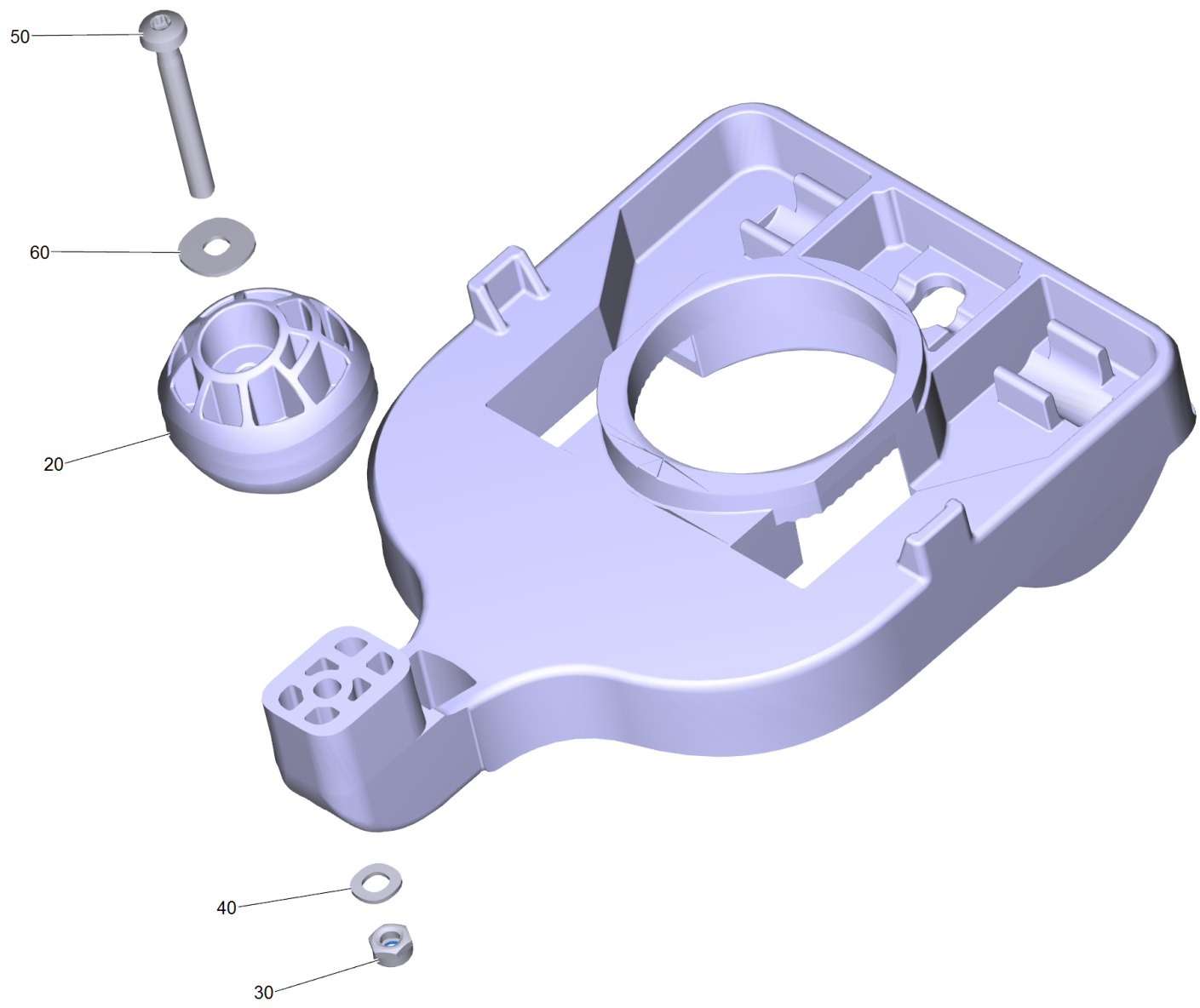
110 Suction bar lifting complete

POS	Article no.	Description	Quantity	Unit	Foot note text
10	4.035-583.0	Holder suction bar complete	1	PC	VERSION 1
20	4.035-583.0	Holder suction bar complete	1	PC	VERSION 1
9000	4.035-583.0	Holder suction bar complete	1	PC	VERSION 2
30	5.035-292.0	Adjusting knob suction bar toothing	1	PC	
40	5.035-293.0	Covering cap suction bar toothing	1	PC	
50	5.036-103.0	Rocker suction bar	1	PC	
80	6.306-003.0	Screw M5X12-A2/70-ISO 14583 (IN6RD)	2	PC	with microencapsulation
120	6.444-963.0	Washer	1	PC	
	Item text1: replaced by 7.312-260.0				
70	7.303-107.0	Screw 5x16-10.9-P2R (K-In6Rd)	1	PC	
130	7.311-512.0	Hexagon nut M6-8-A2E ISO 7040	1	PC	
120	7.312-260.0	Washer 6-100HV-A3E ISO 7094	1	PC	
90	7.312-282.0	Washer 5-A2 ISO 7093-1	2	PC	
60	9.763-049.0	Retaining bracket suction beam retractio	1	PC	
100	9.763-055.0	Strap suction bar	1	PC	
110	9.763-511.0	Eccentric lever	1	PC	



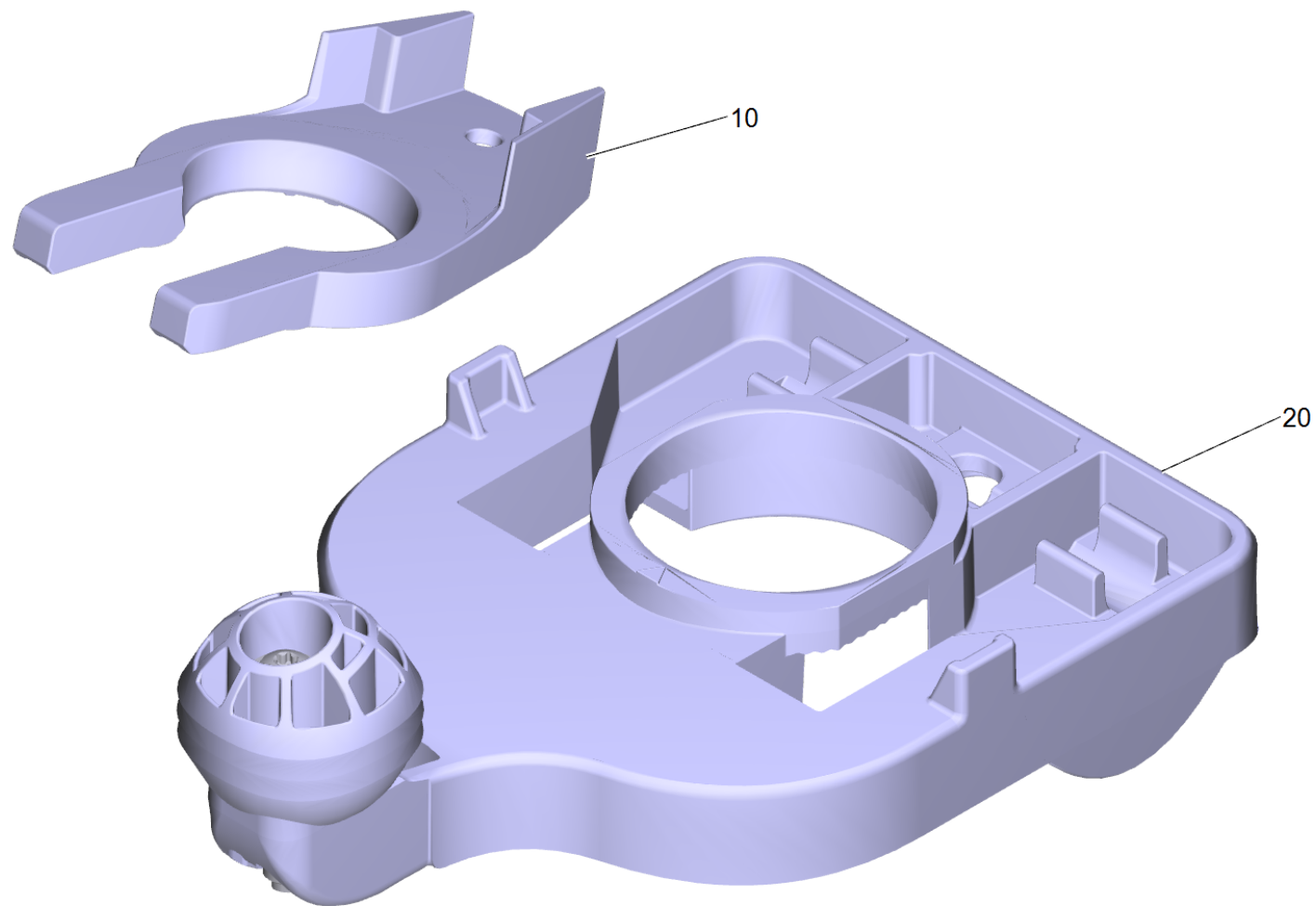
10 Holder suction bar complete (4.035-583.0)

POS	Article no.	Description	Quantity	Unit
20	4.037-137.3	Holder suction bar	1	PC
10	5.005-005.0	FIXING PLATE SUCTION BAR ALU	1	PC



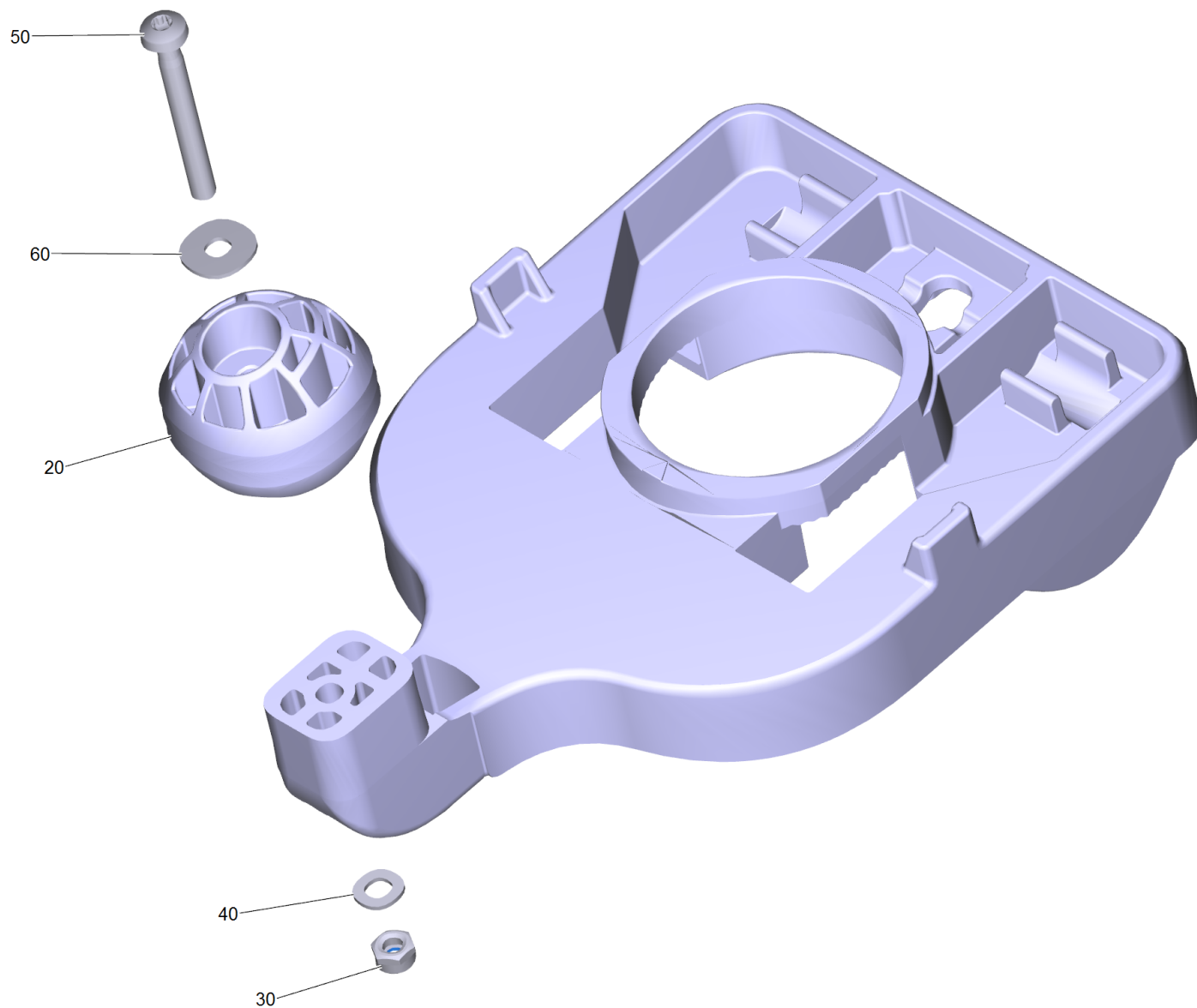
20 Holder suction bar (4.037-137.3)

POS	Article no.	Description	Quantity	Unit
50	7.306-215.0	Screw M5x45 -8.8-P2R (In6Rd)	1	PC
30	7.311-431.0	Hexagon nut M5-1.4305 DIN 985	1	PC
40	7.312-052.0	Washer 5 -A2 ISO 7089	1	PC
60	7.312-282.0	Washer 5-A2 ISO 7093-1	1	PC
20	9.753-416.0	Sphere suction bar suspension for replacement	1	PC
20	9.753-416.0	Sphere suction bar suspension for replacement	1	PC



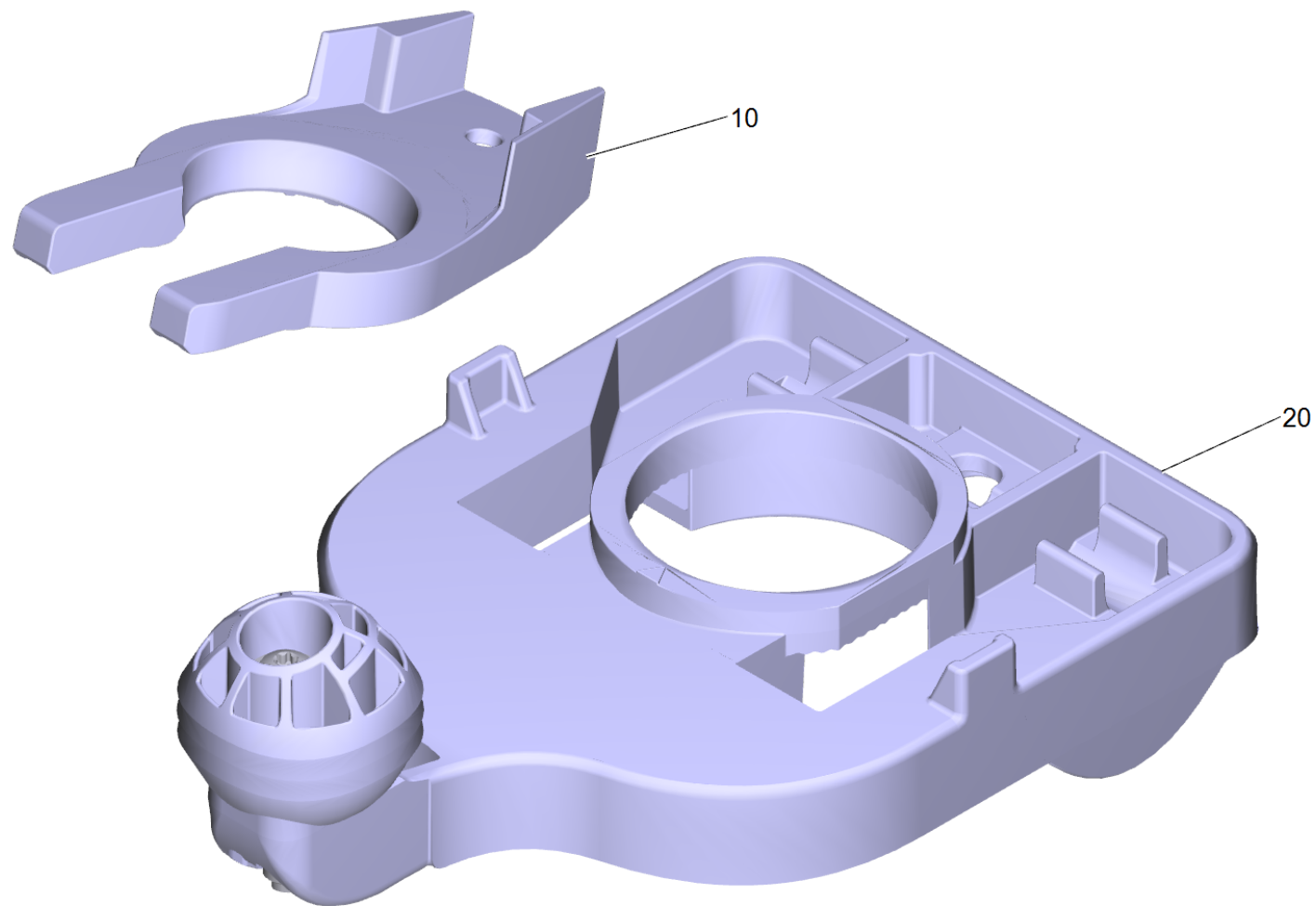
20 Holder suction bar complete (4.035-583.0)

POS	Article no.	Description	Quantity	Unit
20	4.037-137.3	Holder suction bar	1	PC
10	5.005-005.0	FIXING PLATE SUCTION BAR ALU	1	PC



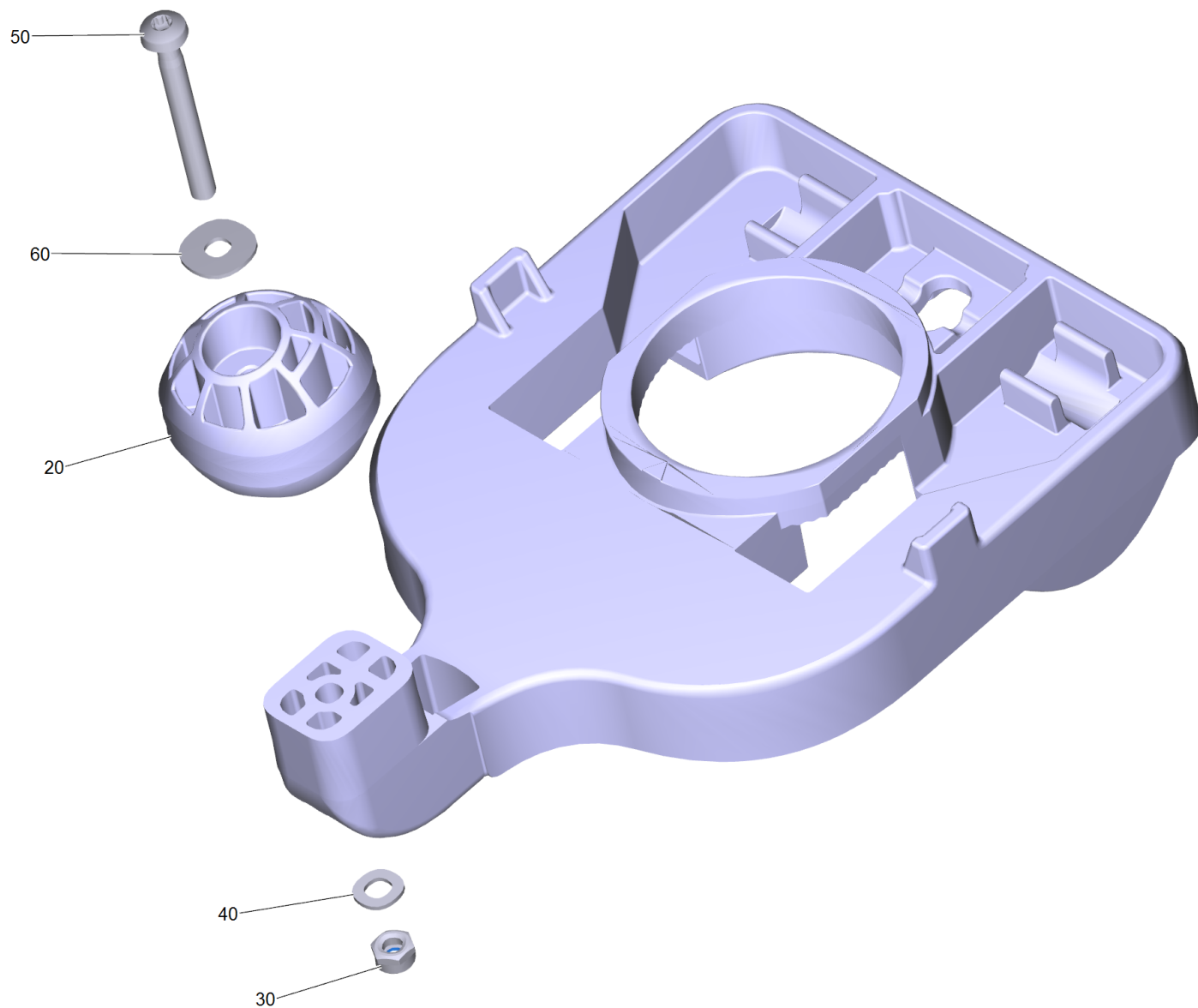
20 Holder suction bar (4.037-137.3)

POS	Article no.	Description	Quantity	Unit
50	7.306-215.0	Screw M5x45 -8.8-P2R (In6Rd)	1	PC
30	7.311-431.0	Hexagon nut M5-1.4305 DIN 985	1	PC
40	7.312-052.0	Washer 5 -A2 ISO 7089	1	PC
60	7.312-282.0	Washer 5-A2 ISO 7093-1	1	PC
20	9.753-416.0	Sphere suction bar suspension for replacement	1	PC
20	9.753-416.0	Sphere suction bar suspension for replacement	1	PC



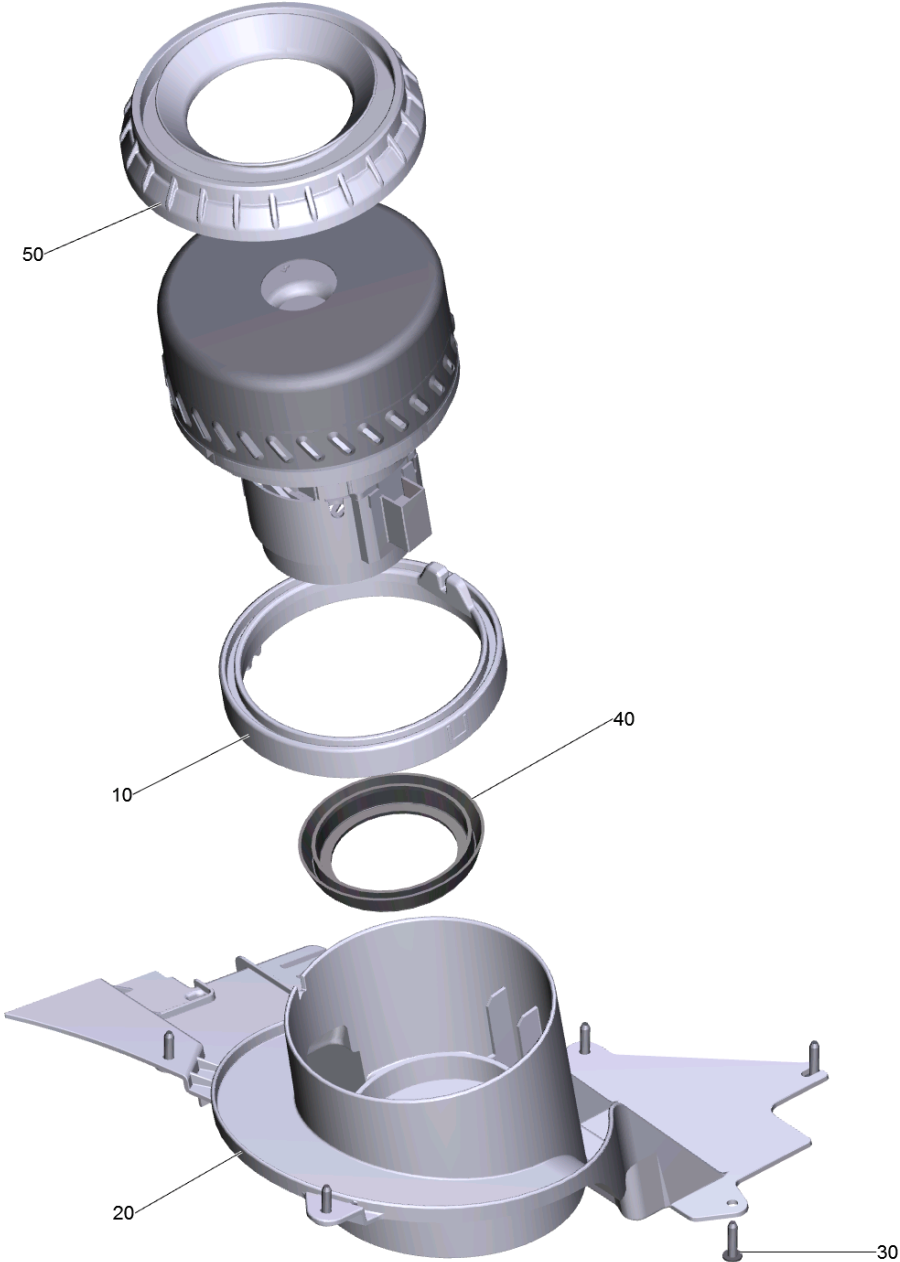
9000 Holder suction bar complete (4.035-583.0)

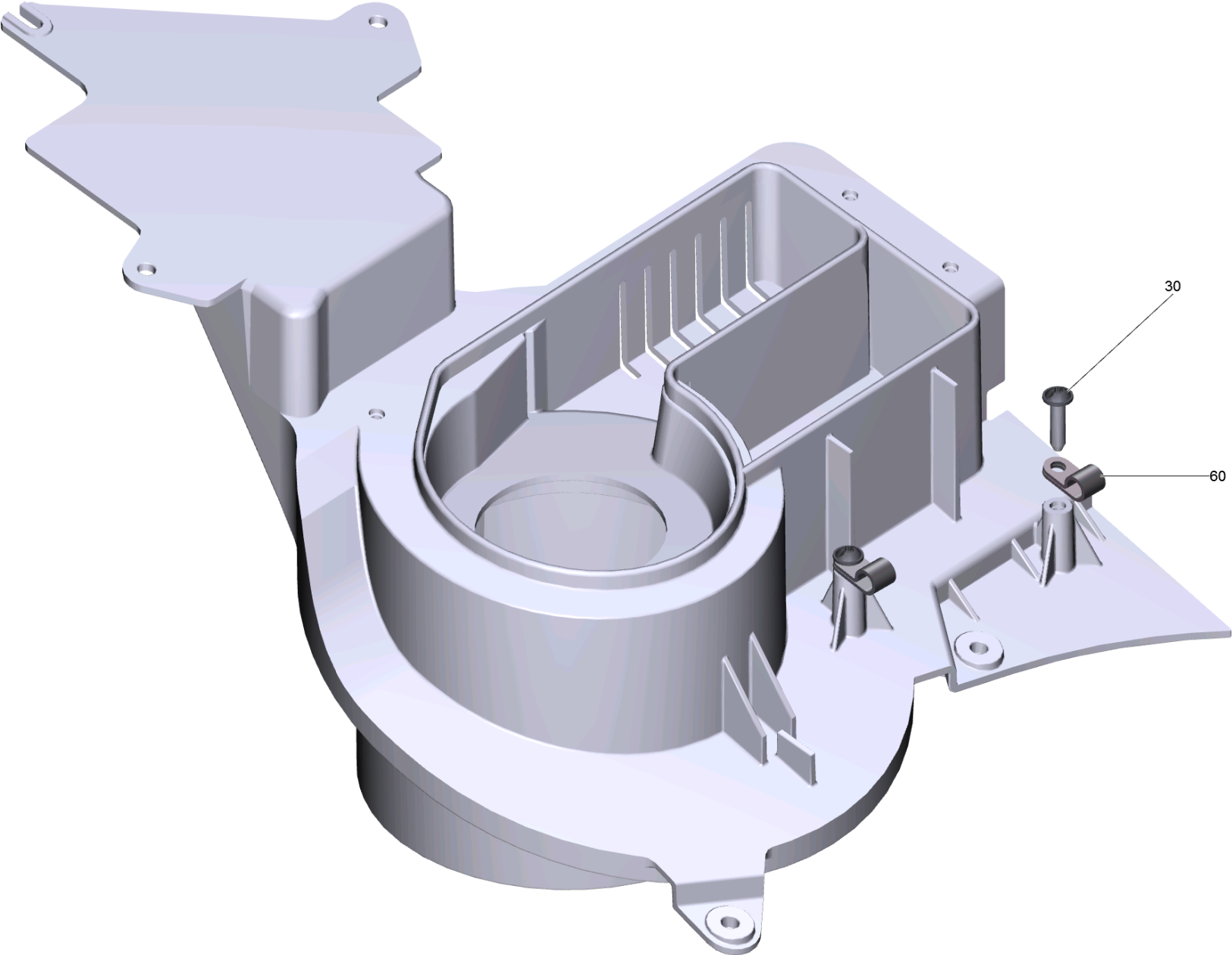
POS	Article no.	Description	Quantity	Unit
20	4.037-137.3	Holder suction bar	1	PC
10	5.005-005.0	FIXING PLATE SUCTION BAR ALU	1	PC



20 Holder suction bar (4.037-137.3)

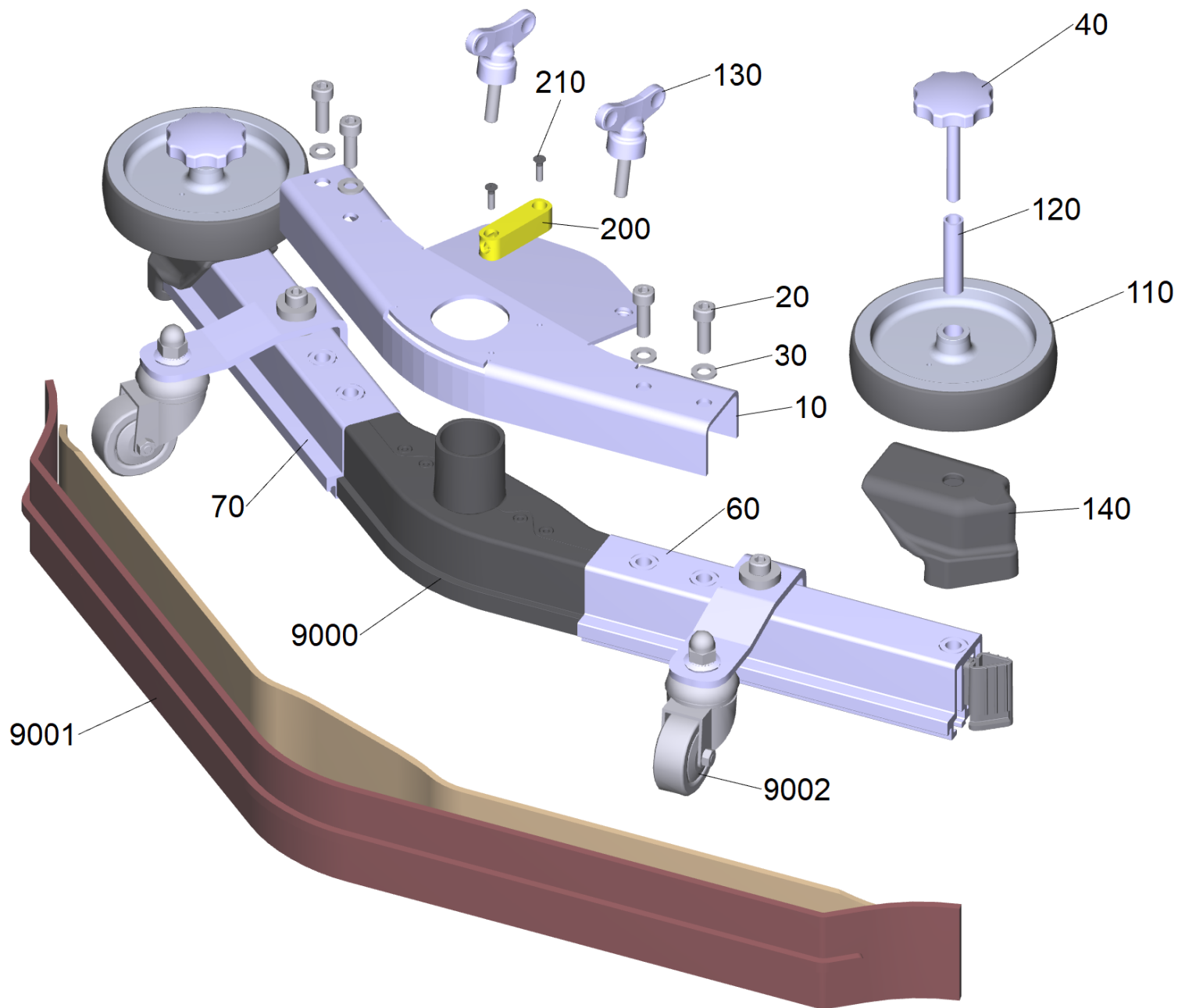
POS	Article no.	Description	Quantity	Unit
50	7.306-215.0	Screw M5x45 -8.8-P2R (In6Rd)	1	PC
30	7.311-431.0	Hexagon nut M5-1.4305 DIN 985	1	PC
40	7.312-052.0	Washer 5 -A2 ISO 7089	1	PC
60	7.312-282.0	Washer 5-A2 ISO 7093-1	1	PC
20	9.753-416.0	Sphere suction bar suspension for replacement	1	PC
20	9.753-416.0	Sphere suction bar suspension for replacement	1	PC





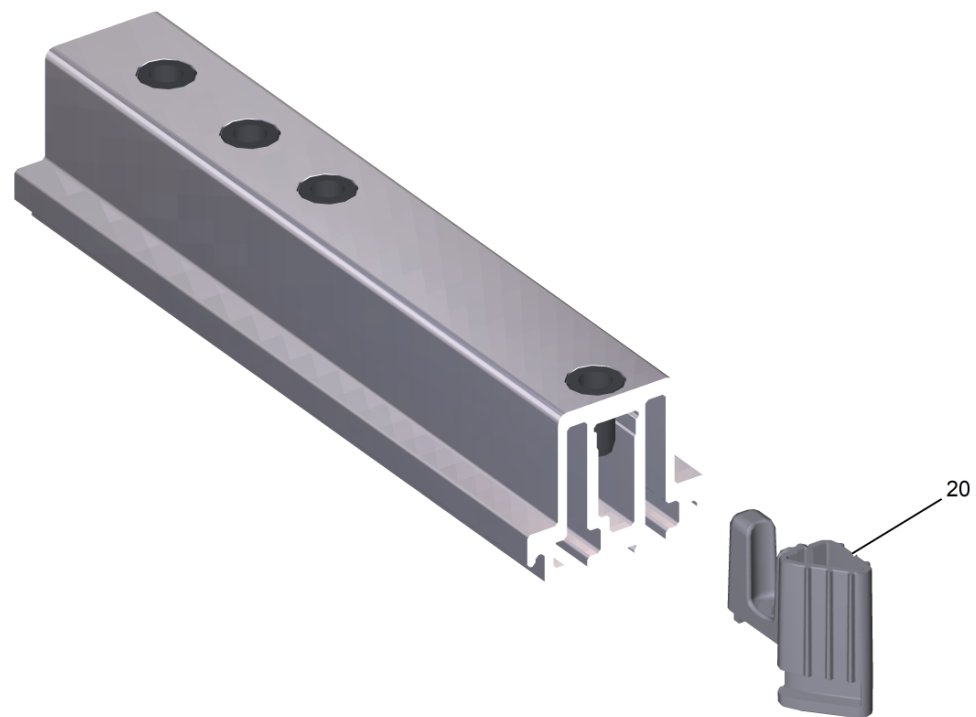
120 Retainer turbine complete B50 CS (9.753-004.0)

POS	Article no.	Description	Quantity	Unit
50	5.035-333.0	Bearing vacuum motor	1	PC
40	5.363-395.0	Seal	1	PC
30	7.303-108.0	Screw 5x20-10.9-R2R (In6Rd)	7	PC
20	9.763-018.0	Air circulation turbine	1	PC
60	9.763-126.0	Cable clamp D9,5	2	PC
10	9.763-188.0	Joint ring turbine	1	PC



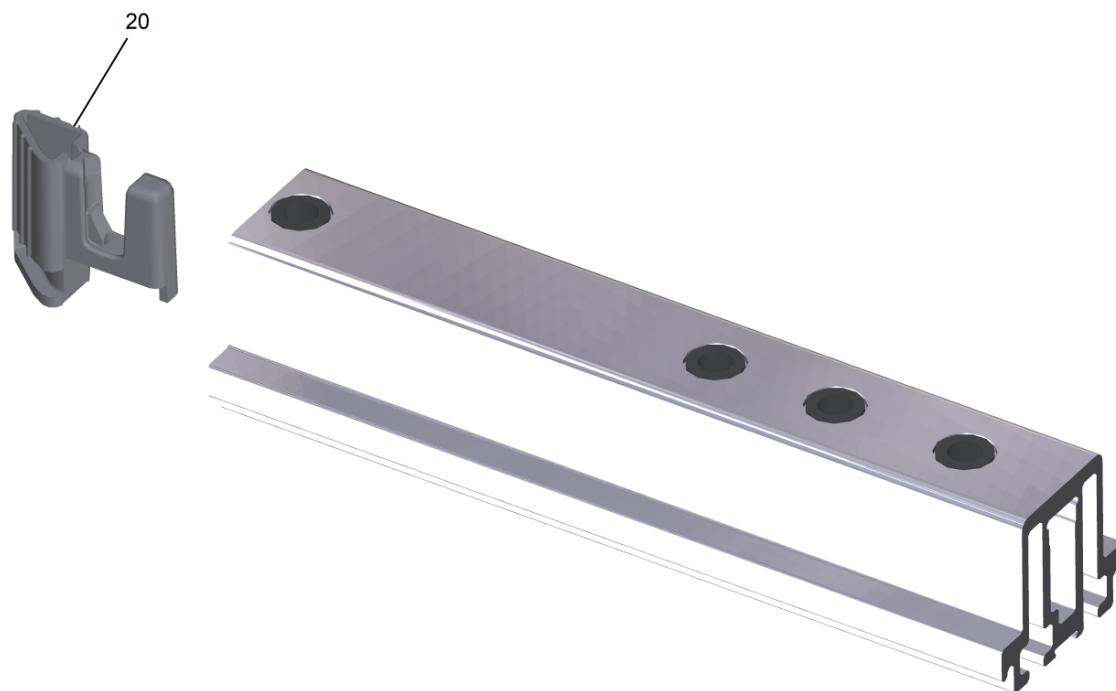
250 Suction bar v-shaped 750mm CN (4.777-115.0)

POS	Article no.	Description	Quantity	Unit
60		Profile pre-assembled right	1	PC
70		Profile pre-assembled left	1	PC
140	2.885-294.0	End piece left / right spare parts set	1	PC
9000	4.034-007.0	Suction nipple complete	1	PC
9002	4.035-557.0	Support roller complete replacement	2	PC
9500	4.035-619.0	Set deflector roll stack formation SB	1	PC
10	4.044-126.0	Holder suction bar V-profile IBR	1	PC
120	5.094-496.0	Sleeve suction bar VA	2	PC
130	5.305-008.0	Wing screw M8x30 VA	2	PC
9001	6.273-027.0	Rubber lip set corrugated oil resistant	1	PC
40	6.321-170.0	Star grip M8X60 - VA	2	PC
	Item text1: replaced by 6.321-353.0			
40	6.321-353.0	Star grip M8X70 - VA	2	PC
	Item text1: successor of 6.321-170.0			
110	6.435-541.0	Deflector roll D125	2	PC
200	6.803-071.0	Level	1	PC
210	7.305-019.0	Countersunk screw M4x16 -8.8-P2R (In6Rd)	2	PC
20	7.306-142.0	Cylinder head screw M 8x25-A4-70 ISO 47	4	PC
30	7.312-017.0	Washer 8-A2 ISO 7089	4	PC



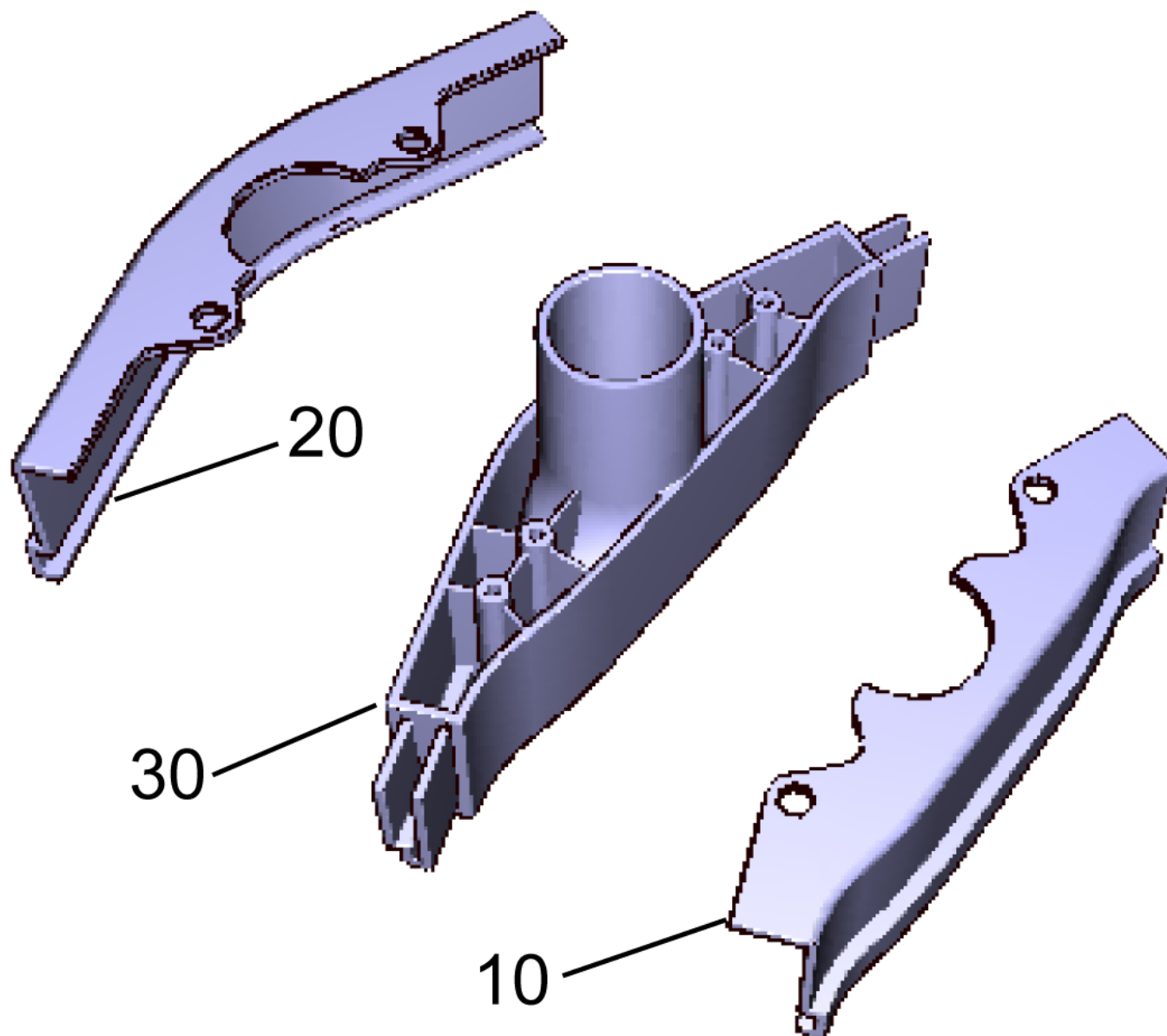
60 Profile pre-assembled right

POS	Article no.	Description	Quantity	Unit
20	5.033-579.0	End piece inside right	1	PC



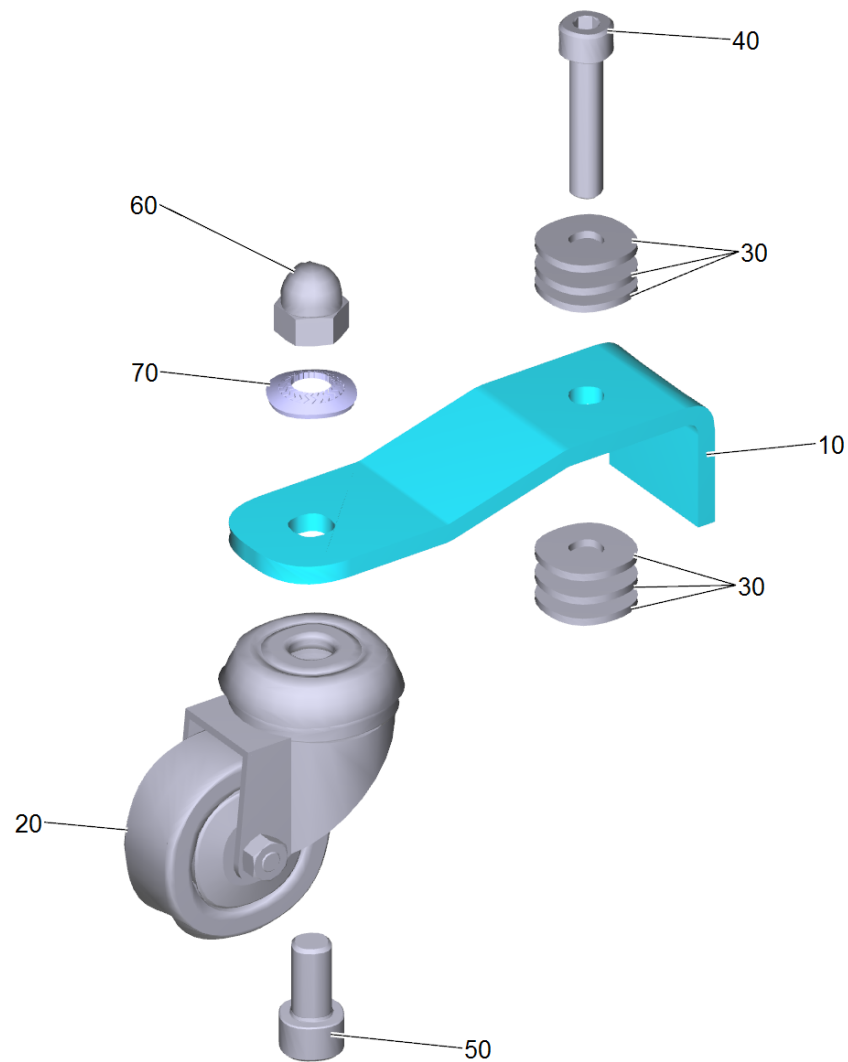
70 Profile pre-assembled left

POS	Article no.	Description	Quantity	Unit
20	5.033-578.0	End piece inside left	1	PC



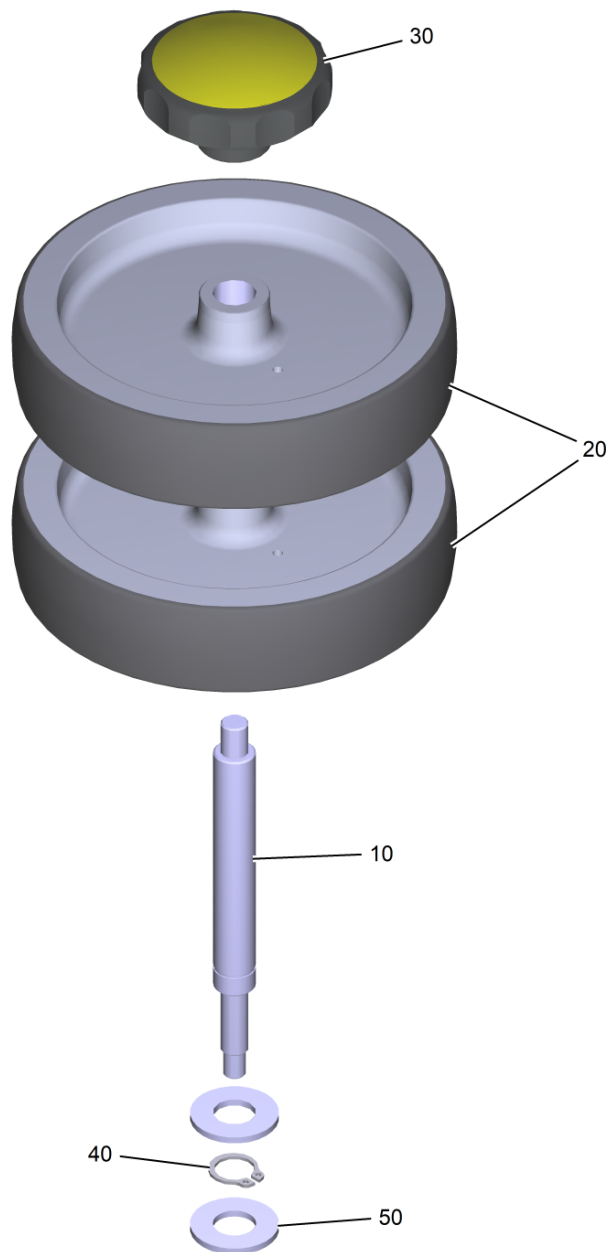
9000 Suction nipple complete (4.034-007.0)

POS	Article no.	Description	Quantity	Unit
20	5.034-049.0	Cover suction nipple rear	1	PC
10	5.034-054.0	Cover suction nipple front	1	PC
30	5.034-055.0	Tube suction nipple center	1	PC



9002 Support roller complete replacement (4.035-557.0)

POS	Article no.	Description	Quantity	Unit
20	6.435-179.0	Castor for thread deflector	1	PC
	Item text1: replaced by 9.763-636.0			
70	6.996-526.0	Serrated locking washer d.10	1	PC
40	7.306-114.0	Cylinder head screw M 8x40-A2-70 ISO 47	1	PC
50	7.306-234.0	Cylinder head screw M10x20-A4-70 ISO 4762	1	PC
60	7.311-382.0	Cap nut M10-6-A3E DIN 1587	1	PC
30	7.312-277.0	Washer 8-200HV-A2E ISO 7093-1	6	PC
10	9.348-919.0	SUCTION BAR CASTER PLATE B50	1	PC
20	9.763-636.0	Castor for thread deflector	1	PC
	Item text1: successor of 6.435-179.0			



9500 Set deflector roll stack formation SB (4.035-619.0)

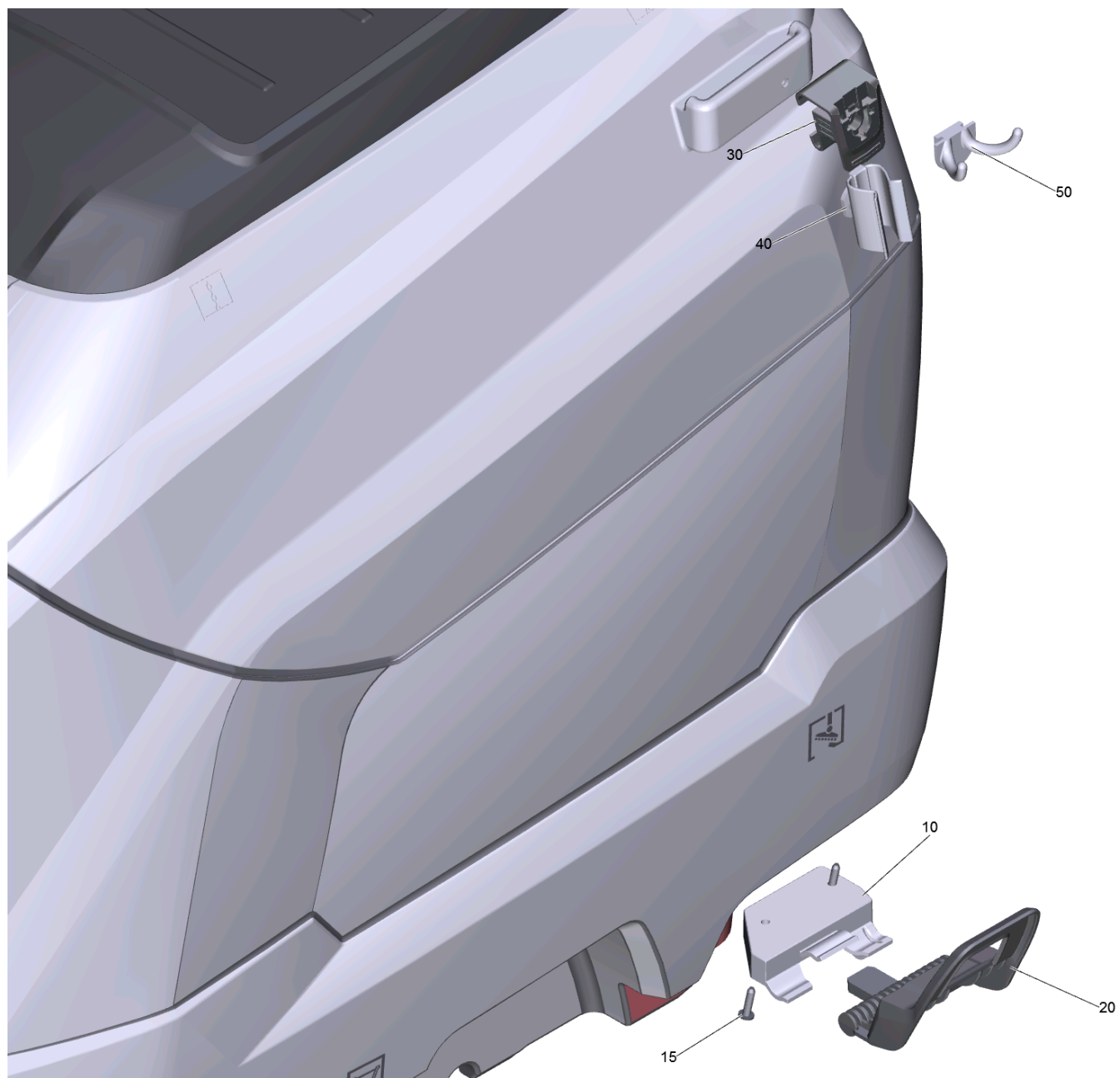
POS	Article no.	Description	Quantity	Unit
10	5.013-653.0	Axle deflector roll suction bar	2	PC
50	5.115-628.0	Washer	4	PC
30	6.321-224.0	Turning knob grey D55mm	2	PC
20	6.435-541.0	Deflector roll D125	4	PC
40	7.343-083.0	Locking ring 12x1-FSt DIN 471	2	PC

260 Traction battery LIB 25,6V/90Ah (6.654-558.0)

POS	Article no.	Description	Quantity	Unit
30	4.823-319.0	Cable adapter service Lilon Inventus	1	PC

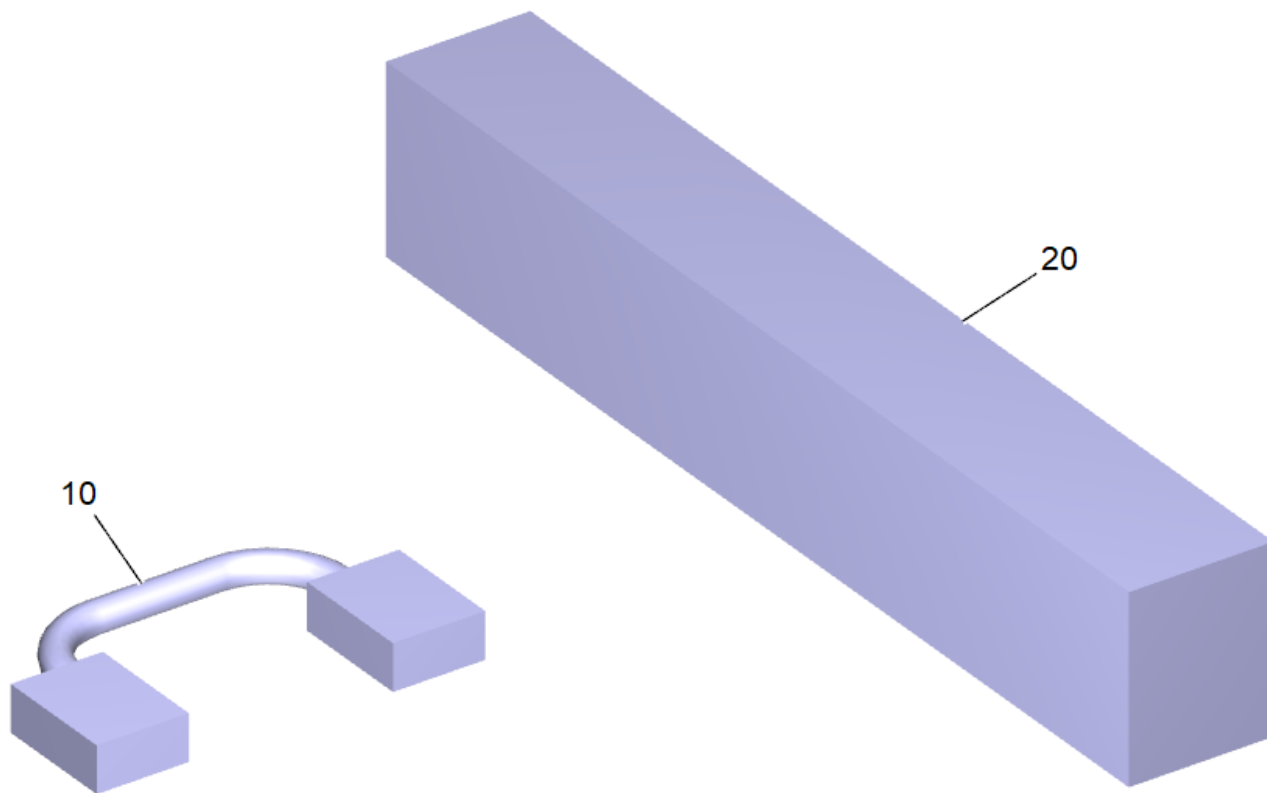
30 Cable adapter service Lilon Inventus (4.823-319.0)

POS	Article no.	Description	Quantity	Unit
10	6.642-687.0	Power supply service USB 5V-12V	1	PC



9500 Mop holder complete (9.753-023.0)

POS	Article no.	Description	Quantity	Unit
30	5.035-488.0	Adapter Homebase	2	PC
50	6.980-077.0	Double hook	1	PC
40	6.980-078.0	Holder handhold grey	1	PC
15	7.303-109.0	Screw 5x25-10.9-R2R (In6Rd)	3	PC
10	9.763-074.0	Fixing mop support	1	PC
20	9.763-133.0	Support mop	1	PC



9523 Mounting kit battery kit (2.638-036.0)

POS	Article no.	Description	Quantity	Unit
20	5.642-021.0	Distance holder battery	1	PC
10	6.649-879.0	Cable battery 25 mm ² . 160 mm	1	PC
		Item text1: replaced by 6.651-903.0		
10	6.649-880.0	Cable battery 25 mm ² . 320mm	1	PC
		Item text1: replaced by 6.651-903.0		
10	6.651-903.0	Cable battery 25 mm ² . 320mm	1	PC
		Item text1: successor of 6.649-880.0		

9000



9001



9530 Add-on kit equipment management Plug-in Connect (2.644-391.0)

POS	Article no.	Description	Quantity	Unit
9000	4.823-414.0	Set antenna	1	PC
9001	4.823-415.0	Adhesive strip for replacement	1	PC