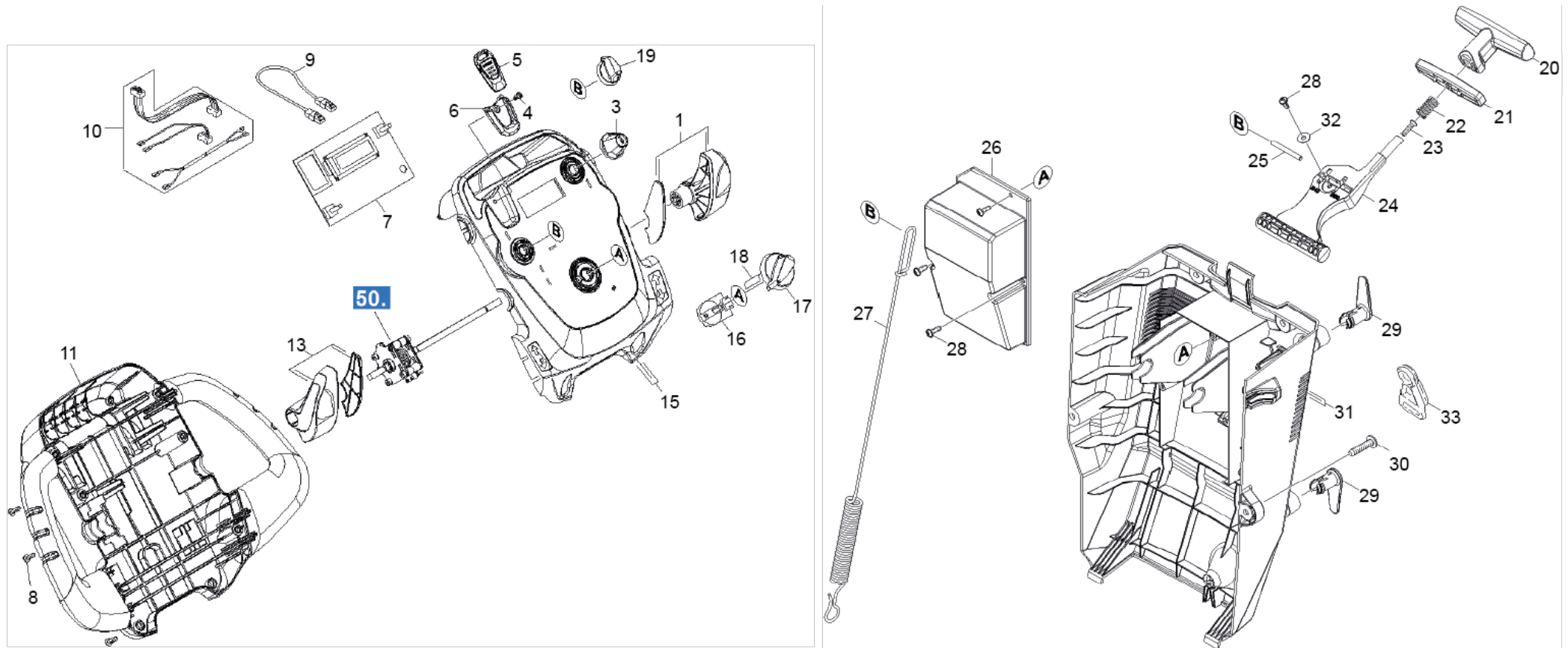


# 70 Display instrument

Professional \ Floor cleaner \ Walk behind \ B 40 W Bp \ Display instrument



## 70 Display instrument

Professional \ Floor cleaner \ Walk behind \ B 40 W Bp \ Display instrument



POS	Article no.	Description	Quantity	Unit
1	4.035-495.0	Tachograph right complete	1	PC
3	5.321-750.0	Handhold info panel	1	PC
4	7.303-116.0	Screw 4x12-A2-70 (IN6RD)	1	PC
5	4.035-408.0	Set key yellow KIK	1	PC
5	5.035-337.0	Key red KIK	1	PC
5	5.035-348.0	Key grey KIK	1	PC
6	5.035-343.0	Guide key	1	PC
7	6.683-284.0	Circuit board W	1	PC
8	6.303-200.0	Screw 5x25-IN6RD	6	PC
9	6.649-933.0	Cable Patch	1	PC
10	4.035-431.0	Cable harness control panel replacement	1	PC
11	5.035-346.0	Housing bottom part control panel	1	PC
13	4.035-496.0	Tachograph left complete	1	PC
15	4.035-413.0	Covering cap control panel foil Bp W	1	PC
16	4.035-415.0	Switch program selection replacement	1	PC
17	5.321-738.0	Handhold operational concept	1	PC
18	6.313-014.0	Spring element	1	PC
19	5.035-437.0	Rotary controller	1	PC
20	5.035-443.0	Handhold adjustment	1	PC
21	5.326-028.0	Button	1	PC
22	5.332-481.0	Helical spring	1	PC
23	7.305-050.0	Countersunk screw M5x20 -A2-70-s (In6Rd)	1	PC
24	5.035-445.0	Lever suction bar	1	PC
25	5.035-453.0	Axle lever suction bar	1	PC
26	5.035-446.0	Cover covering cap rear	1	PC
27	5.035-423.0	Extension spring	1	PC
28	7.303-107.0	Screw 5x16 -10.9-P2R (K-In6Rd)	3	PC
29	5.044-661.0	Catch for cable yellow	2	PC
30	6.303-315.0	Screw 8 x 35	4	PC
31	5.035-366.0	Covering cap	1	PC
32	7.312-282.0	Washer 5 -A2 ISO 7093-1	1	PC
33	6.641-776.0	Strain relief	1	PC