

Spare parts list

(1.524-976.0) HD 8/18-4 MXA Plus *EU

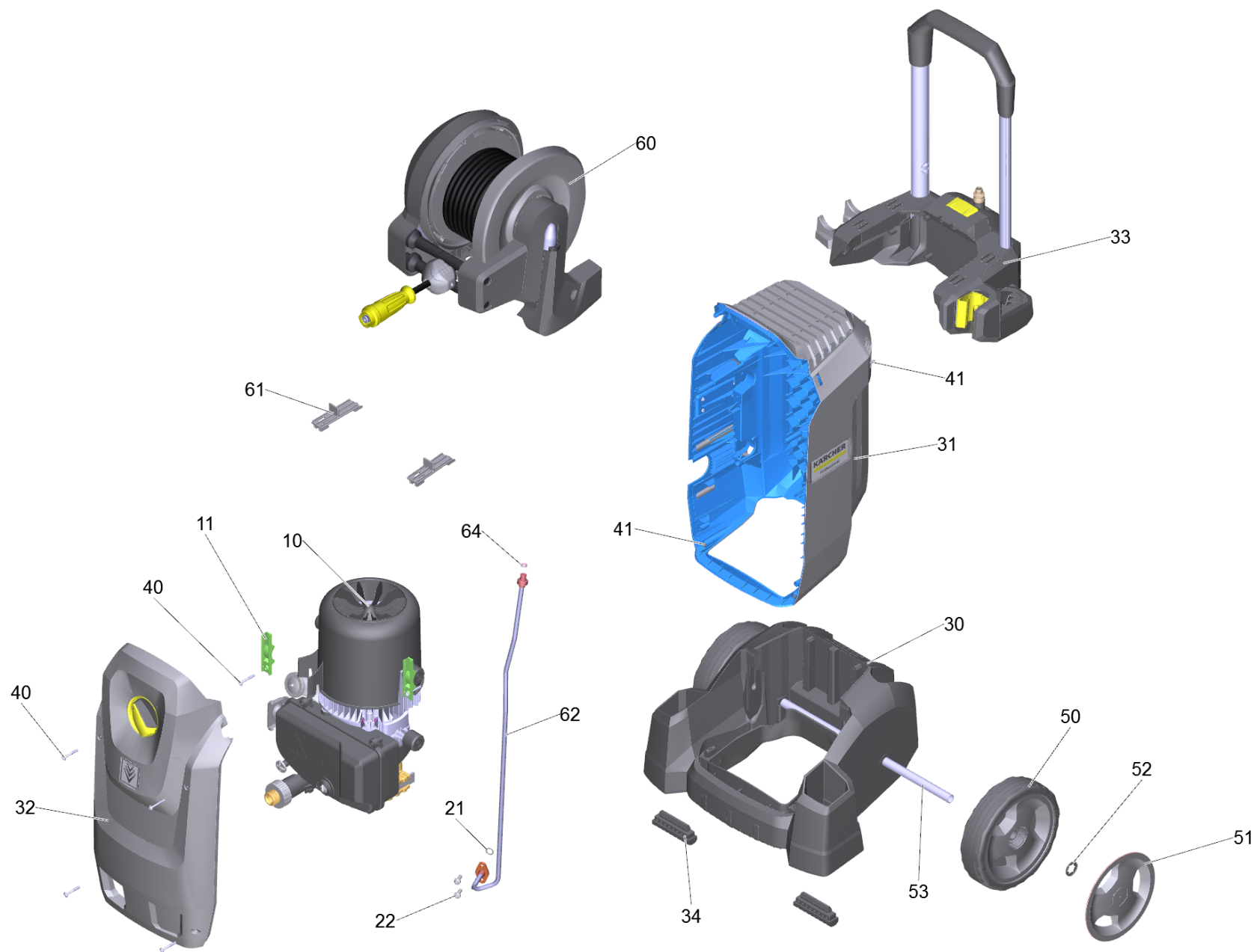
Table of contents

HD 8/18-4 MXA Plus *EU (1.524-976.0)	3
20 Unit HD 8/18-4 MXA	5
10 Pump set HD 8/18-4 M *EU (D145)	7
1 Thrust guidance complete HD-M TK48 D18	9
3 Set motor complete HD 8/18-4 M *EU (4.100-765.3)	11
1 Motor complete HD 8/18-4 M *EU (D145)	13
4 Cylinder head complete HD-M TK48 D18 Servo	15
3 Water intake complete	17
10 Valve screw (4.483-001.0)	19
60 Cable 1,5x220-SW	21
61 Cable 1,5x250-SW	22
900 Pump set HD-M (2.883-074.0)	23
1 Valve (3 Stueck) (2.884-512.0)	25
9 Valve complete (4.580-594.0)	27
32 Set cover for replacement HD-MX (4.100-633.0)	29
33 Module shearing shackle complete HD-MX	31
60 Automatic hose reel	33
90 Water connection (4.645-707.3)	35
21 EASY!Force Advanced (4.118-005.0)	37
9000 Spare part set lever (2.885-483.0)	39
22 Jet pipe TR 840 mm (4.112-006.0)	41
25 Power nozzle TR 25042 (2.113-007.0)	43
26 Dirt blaster TR 045 Prof. (4.114-042.0)	45
999 Spare part set dirt blaster 045 (2.884-113.0)	47
27 Rotary controller TR 270L (4.118-007.0)	49
1 Rotary controller TR 270L	50



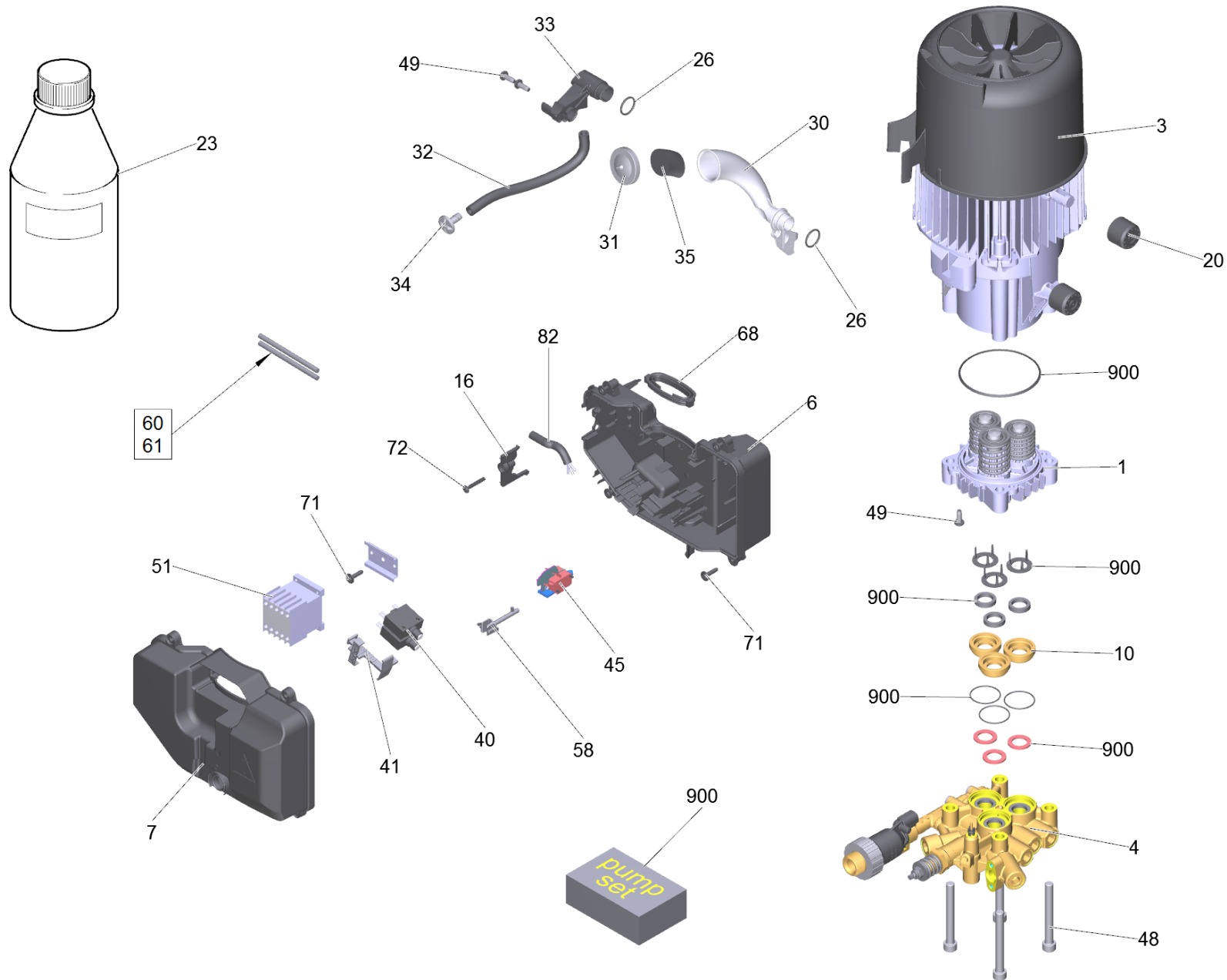
HD 8/18-4 MXA Plus *EU (1.524-976.0)

POS	Article no.	Description	Quantity	Unit
6	5.387-620.0	Warning sticker-Prevent from freezing	1	PC
20		Unit HD 8/18-4 MXA	1	PC
21	4.118-005.0	EASY!Force Advanced	1	PC
22	4.112-006.0	Jet pipe TR 840 mm	1	PC
24	6.465-031.0	Connection 3/4	1	PC
25	2.113-007.0	Power nozzle TR 25042	1	PC
26	4.114-042.0	Dirt blaster TR 045 Prof.	1	PC
27	4.118-007.0	Rotary controller TR 270L	1	PC
30	4.059-302.0	Add-on kit	1	PC



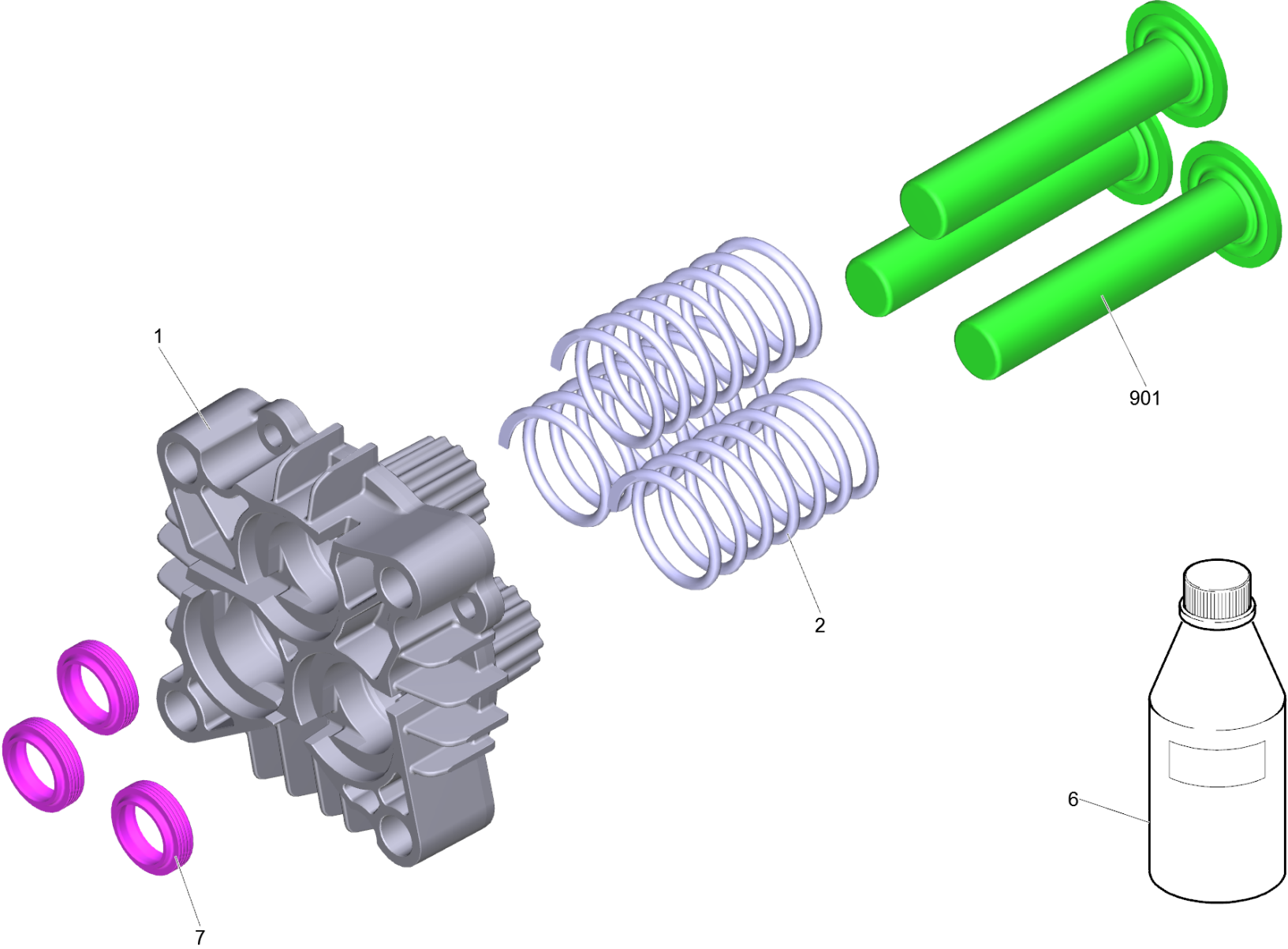
20 Unit HD 8/18-4 MXA

POS	Article no.	Description	Quantity	Unit
10		Pump set HD 8/18-4 M *EU (D145)	1	PC
11	5.802-288.0	Mounting part	2	PC
21	6.362-151.0	O-Ring d. 10 x 2 NBR 70	1	PC
22	7.306-090.0	Screw M6x16 -8.8-P2R (In6Rd)	2	PC
30	5.034-144.3	Chassis for replacement	1	PC
31	4.100-637.0	Set housing for replacement	1	PC
32	4.100-633.0	Set cover for replacement HD-MX	1	PC
33		Module shearing shackle complete HD-MX	1	PC
34	5.057-062.0	Support	2	PC
40	6.961-049.0	Screw	6	PC
41	7.303-108.0	Screw 5x20 -10.9-R2R (In6Rd)	10	PC
50	5.515-222.3	Wheel for replacement D205	2	PC
51	5.515-093.0	Wheel cap large RAL 7012	2	PC
52	6.343-168.0	Lock washer	2	PC
53	5.105-128.0	Axle	1	PC
60		Automatic hose reel	1	PC
61	5.034-200.3	Mounting part for replacement	2	PC
62	4.423-167.0	Pipelines complete HD 8/18 MX AHR	1	PC
64	4.363-691.0	O-Ring seal kpl. -nur fuer Ersatz-	1	PC



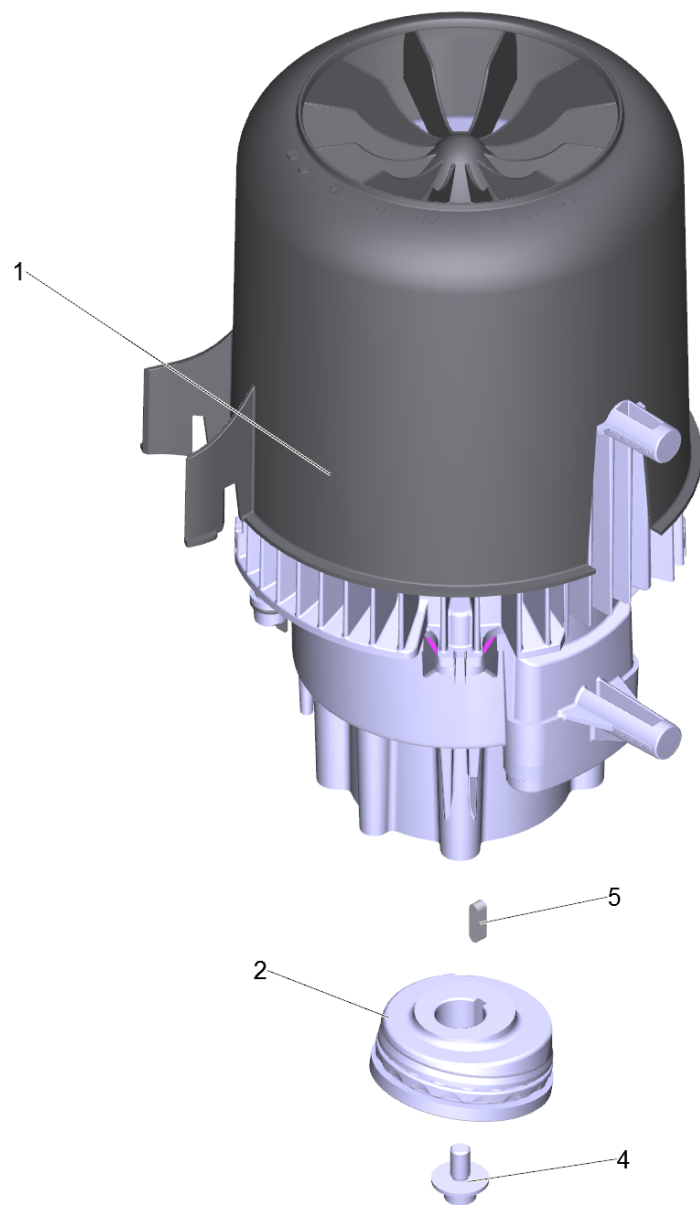
10 Pump set HD 8/18-4 M *EU (D145)

POS	Article no.	Description	Quantity	Unit
1		Thrust guidance complete HD-M TK48 D18	1	PC
3	4.100-765.3	Set motor complete HD 8/18-4 M *EU	1	PC
4		Cylinder head complete HD-M TK48 D18 Servo	1	PC
6	5.811-001.0	Electric box	1	PC
7	5.064-089.0	Cover electric box	1	PC
10	5.112-031.0	Bush	3	PC
16	5.263-003.0	Tensioning part	1	PC
20	5.767-005.0	Rubber buffer	4	PC
23	6.288-016.0	Gear oil 1L	1	PC
26	6.362-161.0	O-Ring seal 19,3 X 2,4	2	PC
30	5.070-176.0	Oil container	1	PC
31	5.064-457.0	Cover plate qusty grey oil	1	PC
32	6.389-610.0	Hose fuel	205	m
33	5.443-029.0	Hose stem drain hose oil	1	PC
34	5.443-030.0	Blind plug drain hose oil	1	PC
35	5.132-187.0	Plug	1	PC
40	6.630-994.3	Safety switch (15A)	2	PC
41	5.045-071.0	Slider E-T-A	1	PC
45	6.961-079.3	Micro switch	1	PC
48	7.306-807.0	Cylinder head screw M10x85-8.8-A3E ISO4	4	PC
49	7.303-047.0	Screw M6x16 -St-R3R (In6Rd)	4	PC
51	6.632-173.0	Contactora 4,0KW/400V	1	PC
58	5.045-064.0	Selector shaft electric box 57mm	1	PC
60		Cable 1,5x220-SW	3	PC
61		Cable 1,5x250-SW	2	PC
68	5.363-761.0	Seal label	1	PC
71	6.303-125.0	Screw 5x20-Sonder In6Rd+Spitze	5	PC
72	7.303-086.0	Screw 5x30 -10.9-R2R (K-In6Rd)	1	PC
82	6.650-656.3	Cable with plug for replacement *EU	1	PC
900	2.883-074.0	Pump set HD-M	1	PC



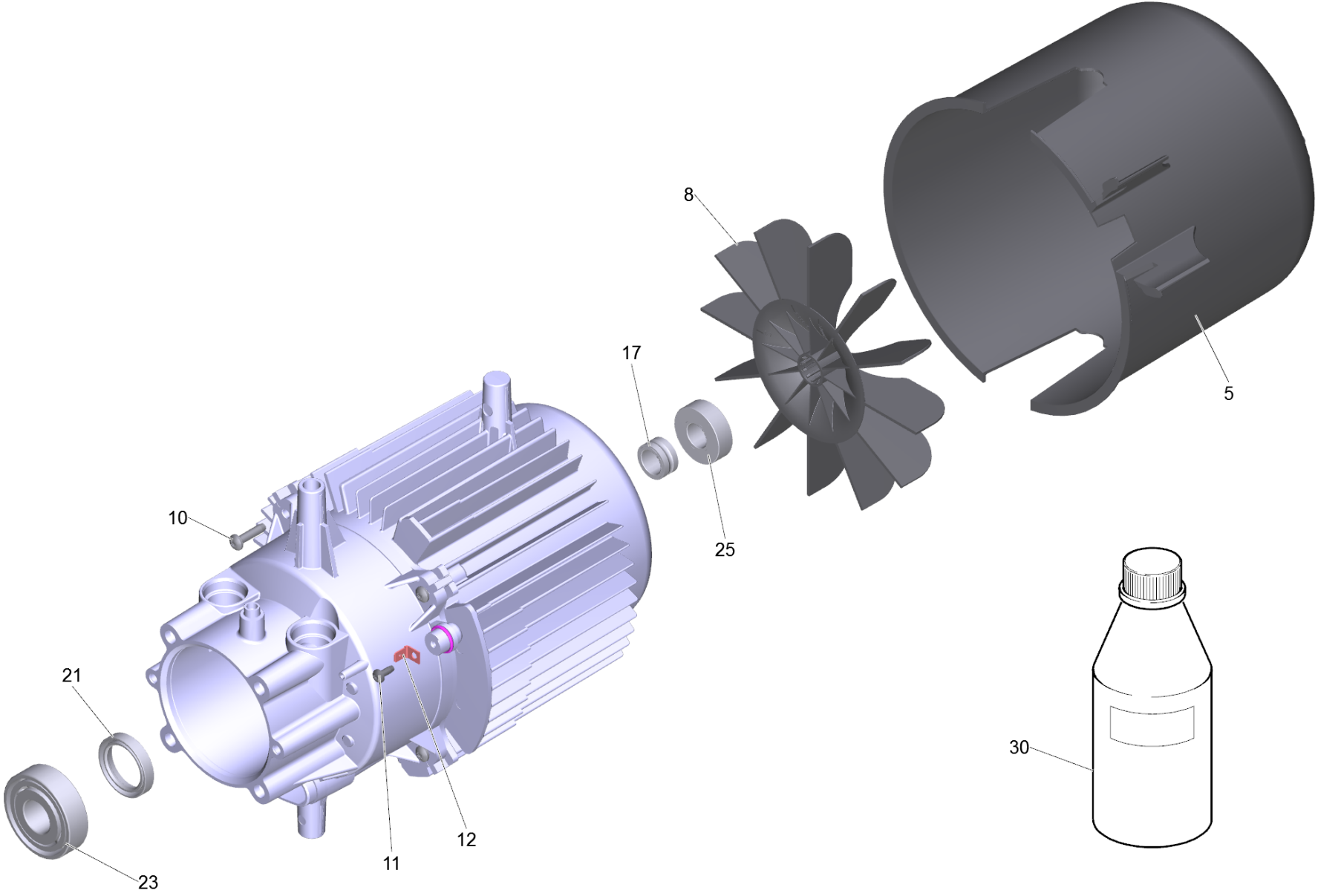
1 Thrust guidance complete HD-M TK48 D18

POS	Article no.	Description	Quantity	Unit	Foot note text
1	5.093-060.0	Thrust guidance HD-M TK48 D18	1	PC	
2	5.332-529.0	Helical spring	3	PC	
6	6.288-050.0	Engine oil 1L	1	PC	ASSEMBLING AID
7	6.365-334.0	Grooved ring 18X26X6/8	3	PC	
901	4.100-645.0	Set piston complete	3	PC	



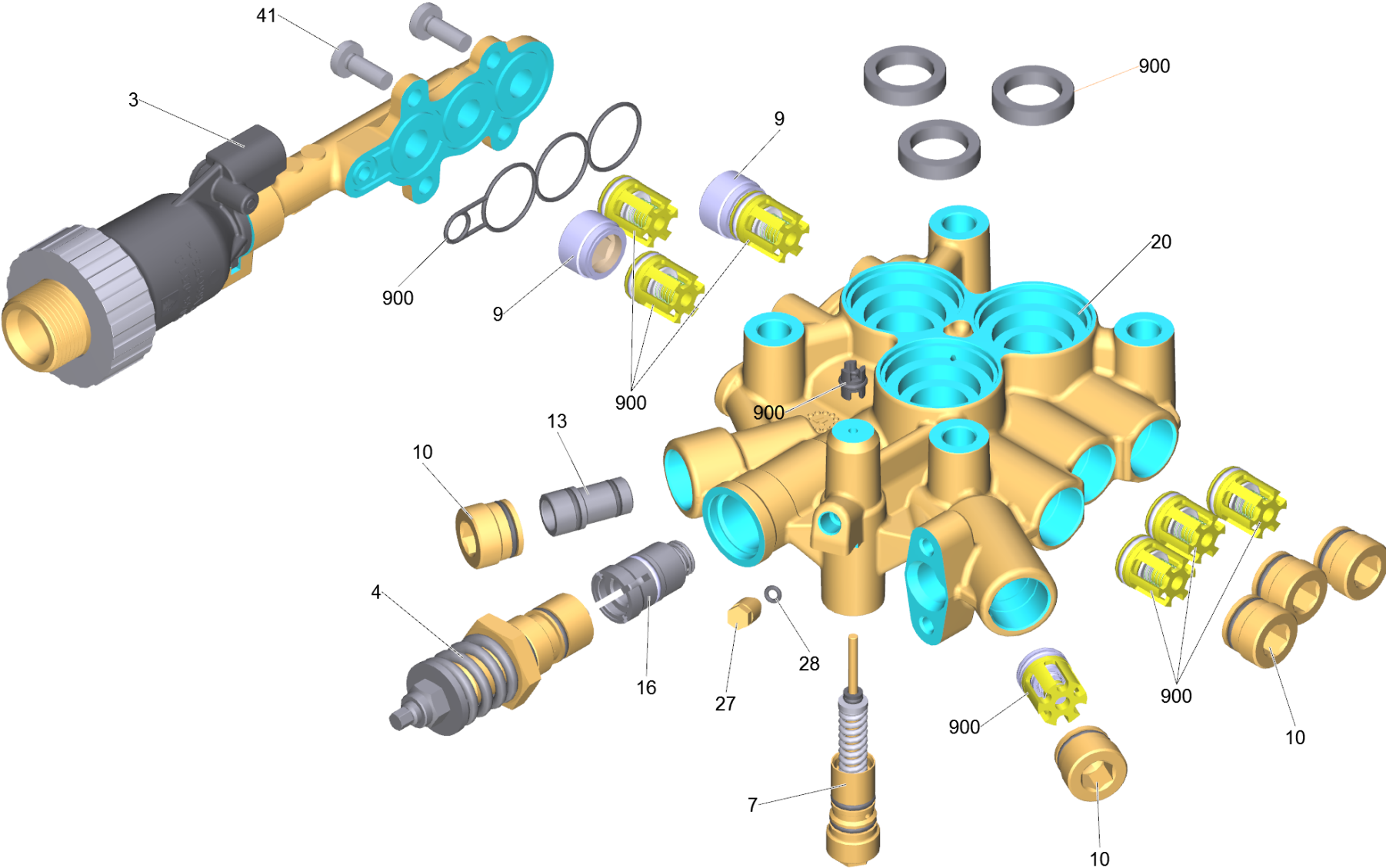
3 Set motor complete HD 8/18-4 M *EU (4.100-765.3)

POS	Article no.	Description	Quantity	Unit
1		Motor complete HD 8/18-4 M *EU (D145)	1	PC
2	4.120-214.0	Wobble plate	1	PC
4	9.086-169.0	Wobble plate screw M8x16	1	PC
5	7.318-070.0	Parallel key 5x5x20-C45K DIN 6885-1	1	PC
901	2.100-052.0	Special tool motor HD-M	1	PC



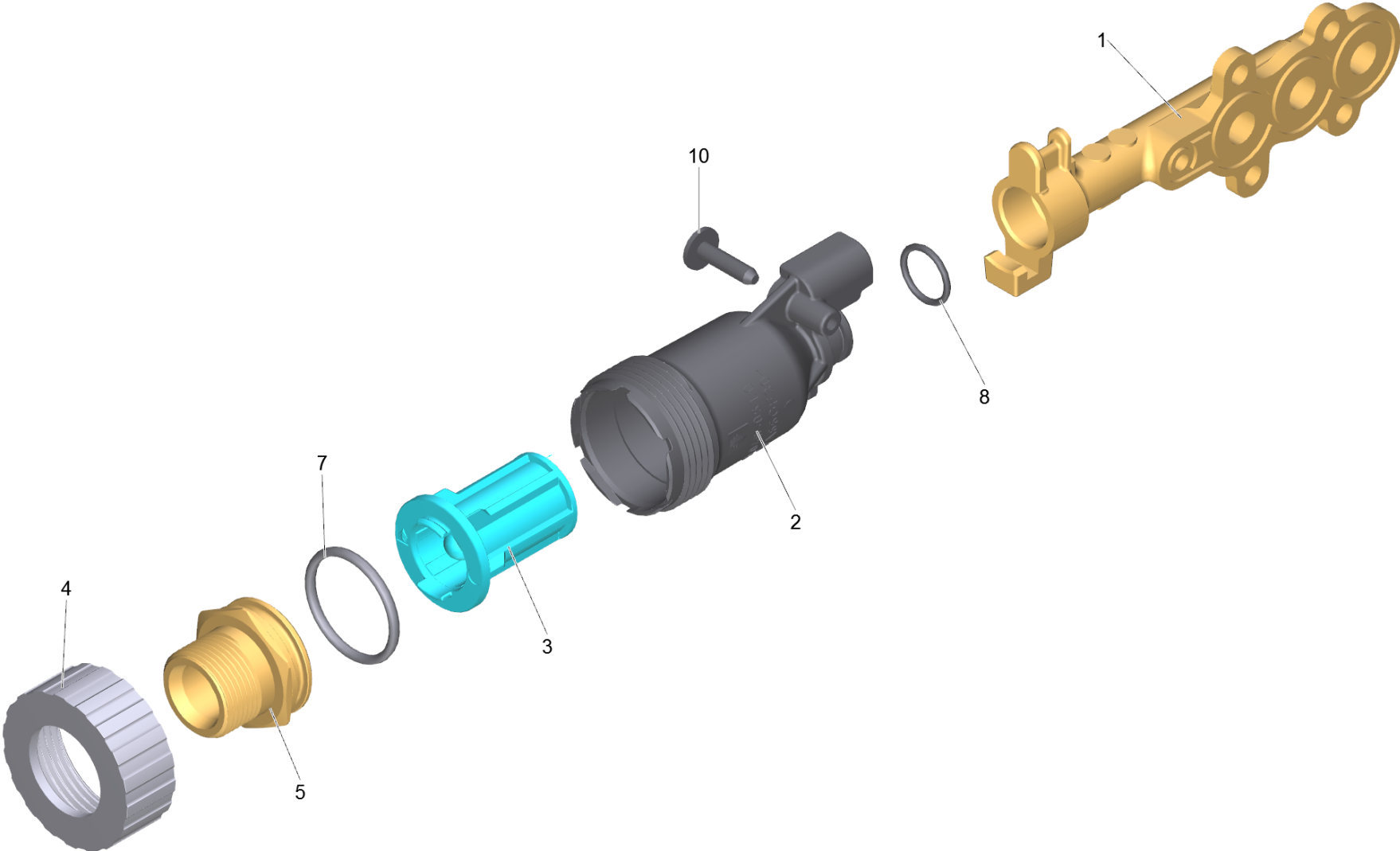
1 Motor complete HD 8/18-4 M *EU (D145)

POS	Article no.	Description	Quantity	Unit	Foot note text
5	5.692-004.0	Air circulation D145	1	PC	
8	5.600-029.0	Blower wheel	1	PC	
10	7.306-385.0	Screw M8x20 -8.8-R3R ISO 14583	4	PC	
11	7.303-031.0	Screw M4x10 -St-P2R (In6Rd)	1	PC	
12	6.641-239.0	Tab	1	PC	
17	6.343-178.0	Tolerance ring	1	PC	
21	7.367-156.0	Radial shaft seal ring A30x40x7-NBR DIN	1	PC	
23	6.401-396.3	Taper roller bearing for replacement 31305	1	PC	
25	6.401-285.3	Ball bearing 6204 2RS	1	PC	
30	6.288-050.0	Engine oil 1L	1	PC	ASSEMBLING AID



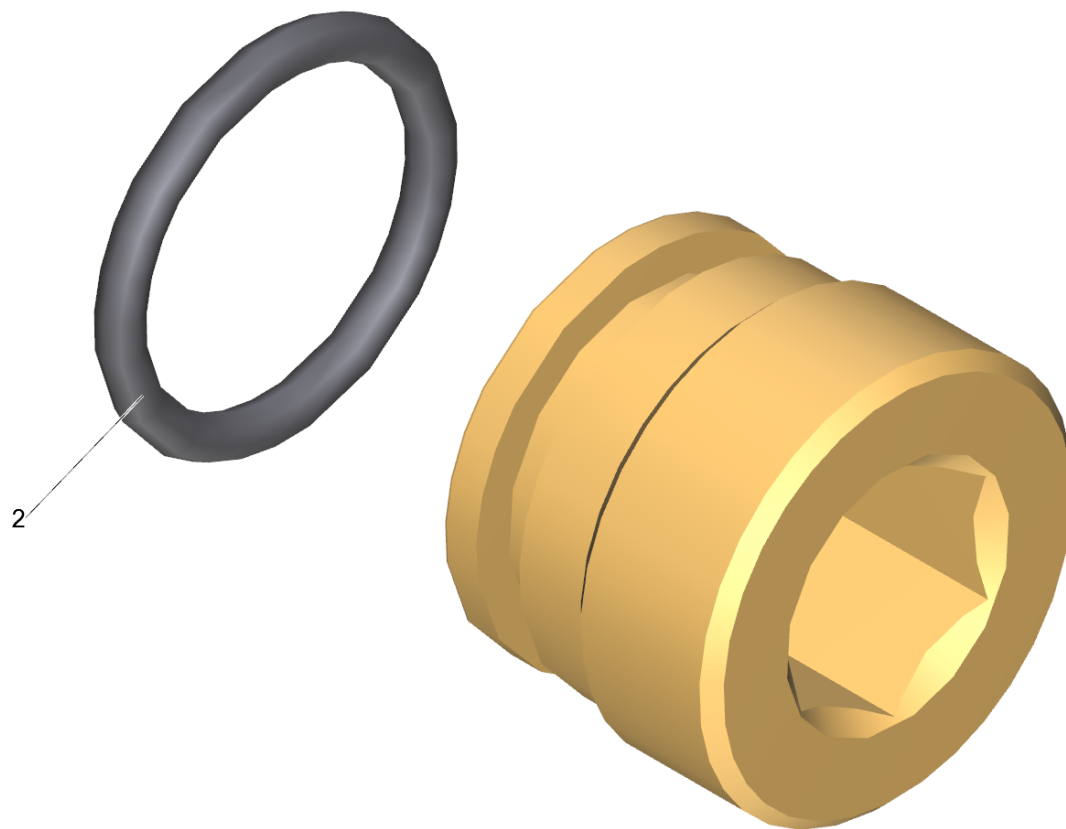
4 Cylinder head complete HD-M TK48 D18 Servo

POS	Article no.	Description	Quantity	Unit
3		Water intake complete	1	PC
4	4.580-033.3	Overflow valve complete for replacement Servo	1	PC
7	4.580-104.3	Control piston complete D14	1	PC
9	5.583-177.0	Valve screw M20x1	2	PC
10	4.483-001.0	Valve screw	5	PC
13	4.580-135.3	Valve pressure reduction complete D2,2	1	PC
16	4.100-640.0	Set valve Servo	1	PC
20	5.550-017.3	Cylinder head for replacement HD-M Servo	1	PC
27	5.443-024.3	Plug for replacement	1	PC
28	6.362-984.0	O-Ring d. 3 x 1,5 NBR 80	1	PC
41	7.306-090.0	Screw M6x16 -8.8-P2R (In6Rd)	4	PC
900		Part at pump set	1	PC



3 Water intake complete

POS	Article no.	Description	Quantity	Unit
1	5.064-496.3	Suction cover for replacement	1	PC
2	5.045-248.0	Water intake straight	1	PC
3	5.731-059.0	Filter cartridge with cone (mesh 100)	1	PC
4	5.064-465.0	Nut water intake	1	PC
5	5.064-517.0	Connection piece water intake G 3/4 A	1	PC
7	6.363-437.0	O-Ring seal 30x3	1	PC
8	6.362-481.0	O-Ring seal 14,0 x 2,0 NBR 80	1	PC
10	6.303-125.0	Screw 5x20-Sonder In6Rd+Spitze	1	PC



10 Valve screw (4.483-001.0)

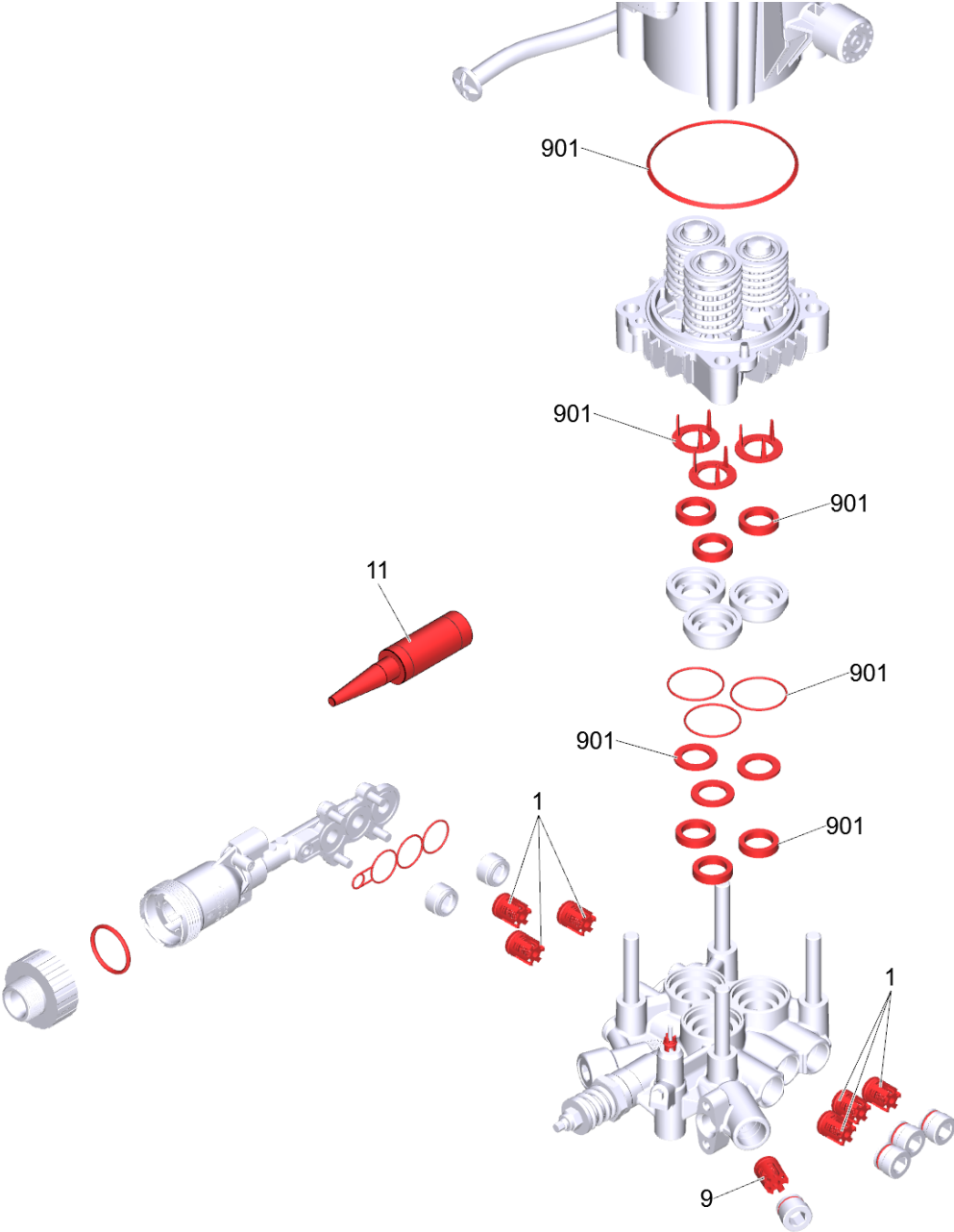
POS	Article no.	Description	Quantity	Unit
2	6.362-481.0	O-Ring seal 14,0 x 2,0 NBR 80	1	PC

60 Cable 1,5x220-SW

POS	Article no.	Description	Quantity	Unit
1	6.641-027.0	Cable 1x1,5mm ² SW/BK	220	m
2	6.641-953.0	Wire end protection 1,5mm ²	1	PC
3	6.649-023.0	Receptacles for tabs 6,3-1,5	1	PC

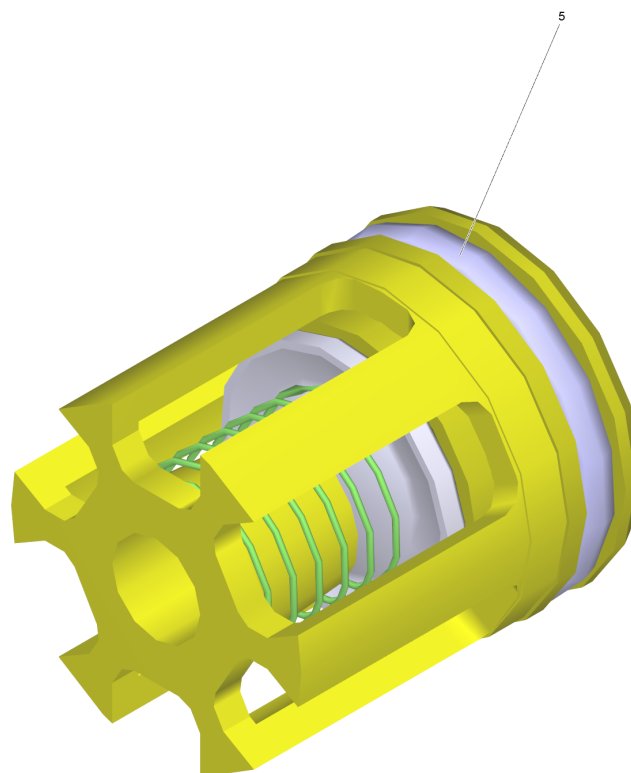
61 Cable 1,5x250-SW

POS	Article no.	Description	Quantity	Unit
1	6.641-027.0	Cable 1x1,5mm ² SW/BK	250	m
2	6.641-953.0	Wire end protection 1,5mm ²	1	PC
3	6.649-026.0	Receptacles for tabs 6,3-1,5	1	PC



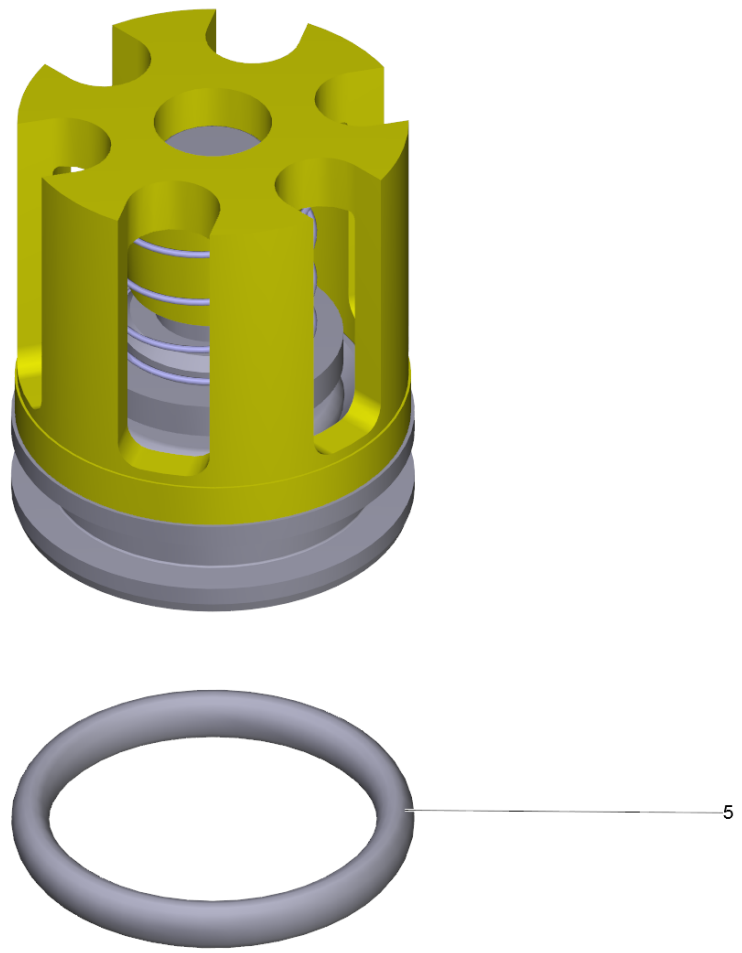
900 Pump set HD-M (2.883-074.0)

POS	Article no.	Description	Quantity	Unit
1	2.884-512.0	Valve (3 Stueck)	2	PC
9	4.580-594.0	Valve complete	1	PC
11	6.288-072.0	Silicon grease	1	PC
901	4.100-767.0	Set of gaskets	1	PC



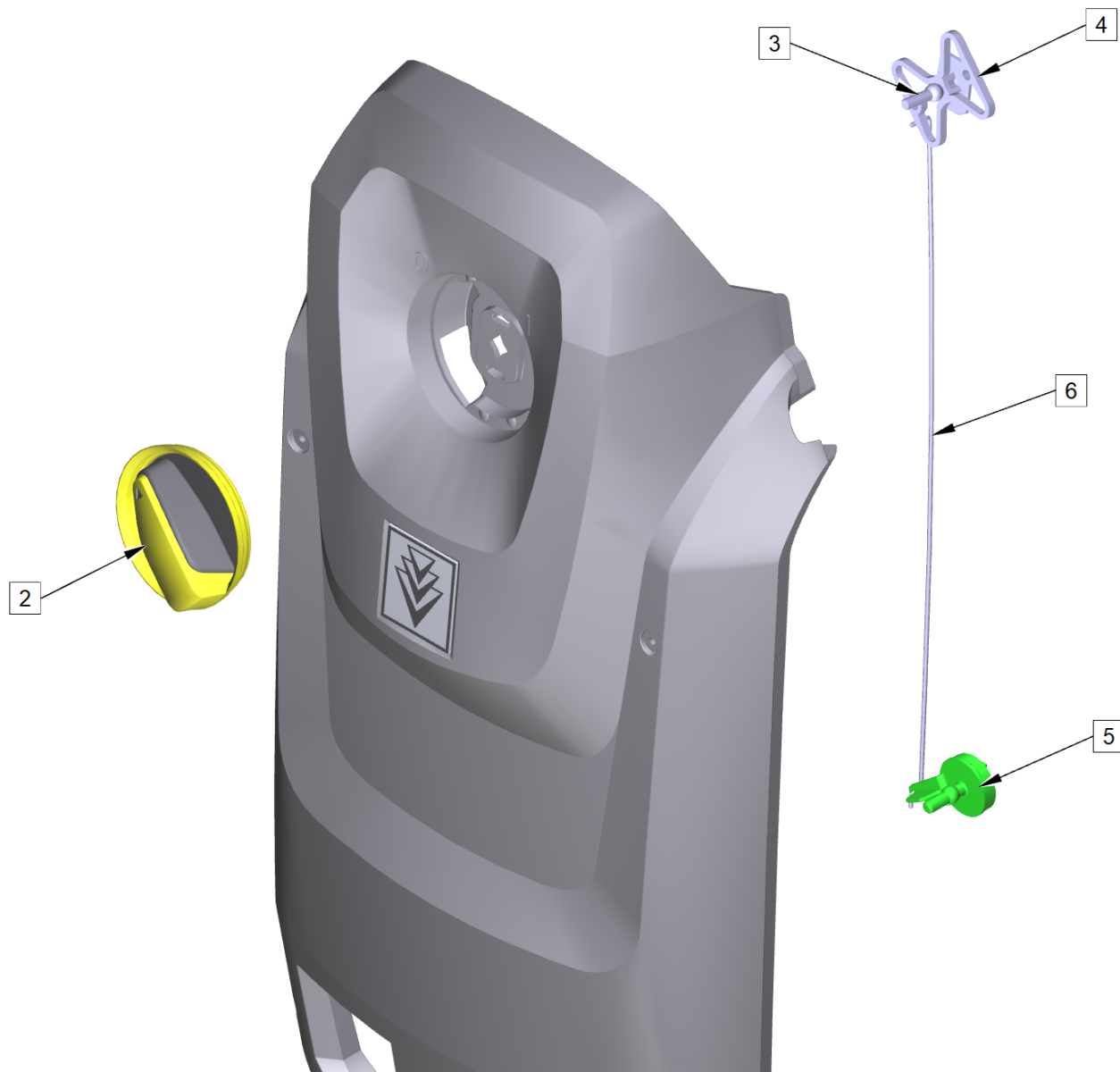
1 Valve (3 Stueck) (2.884-512.0)

POS	Article no.	Description	Quantity	Unit
5	6.363-003.0	O-Ring seal 13,0 X 2,0-NBR 90	1	PC



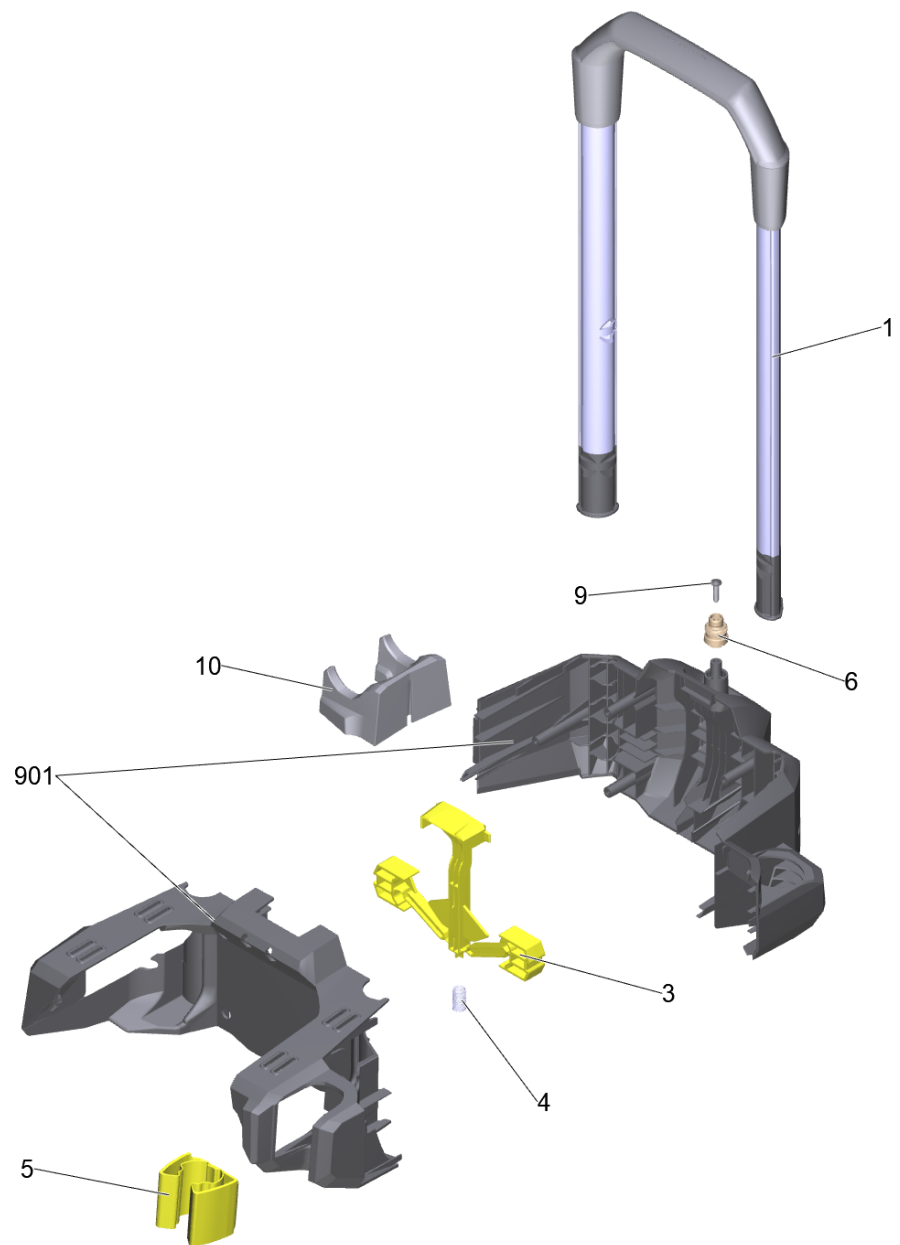
9 Valve complete (4.580-594.0)

POS	Article no.	Description	Quantity	Unit
5	6.362-381.0	O-Ring seal 13x2 - NBR 70	1	PC



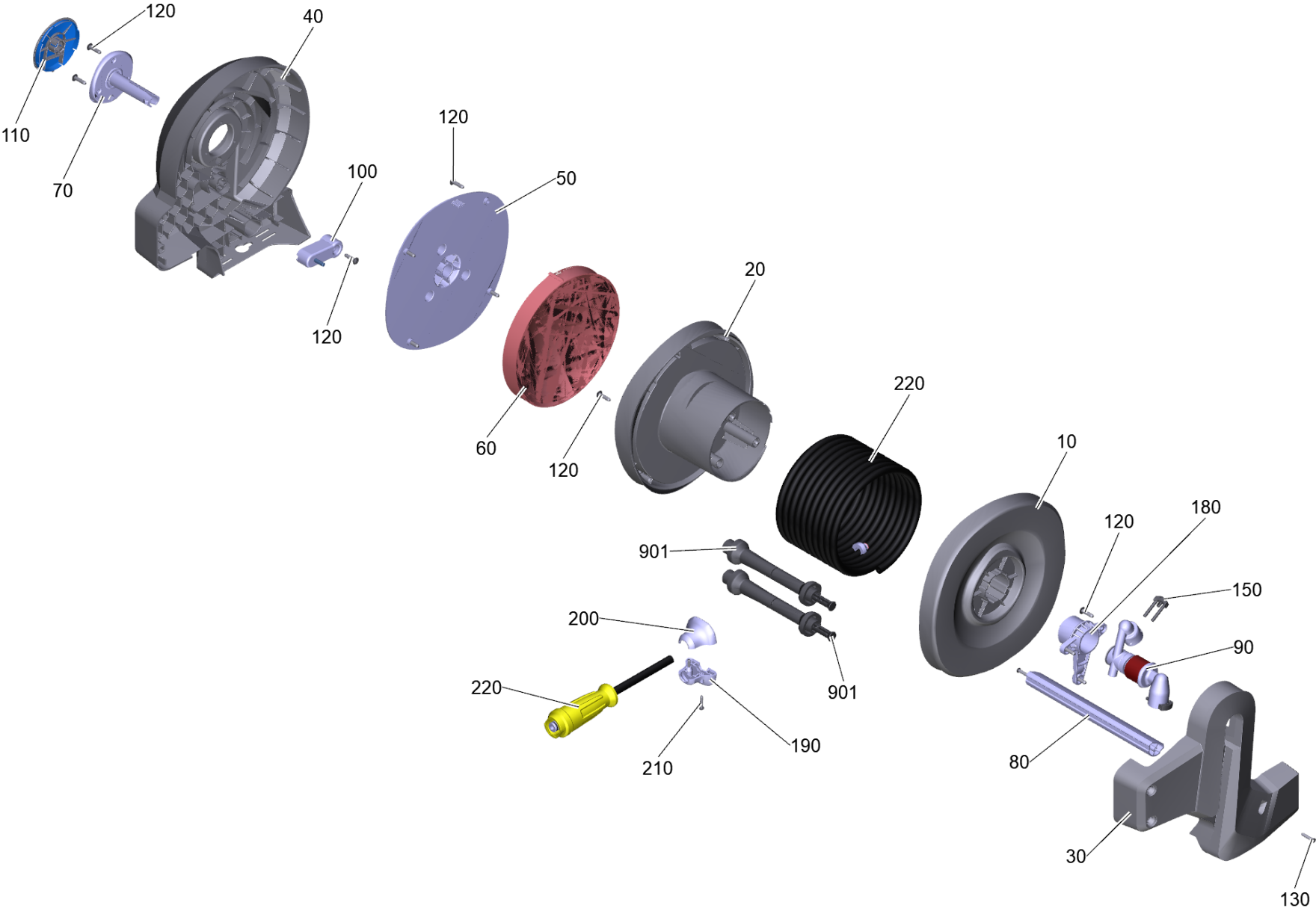
32 Set cover for replacement HD-MX (4.100-633.0)

POS	Article no.	Description	Quantity	Unit
2	5.324-187.0	Handle	1	PC
3	5.034-241.0	Axle handle	1	PC
4	5.105-693.0	Spring tripping segment	1	PC
5	5.645-870.0	Deflection switch	1	PC
6	5.034-175.0	Switch rod	1	PC



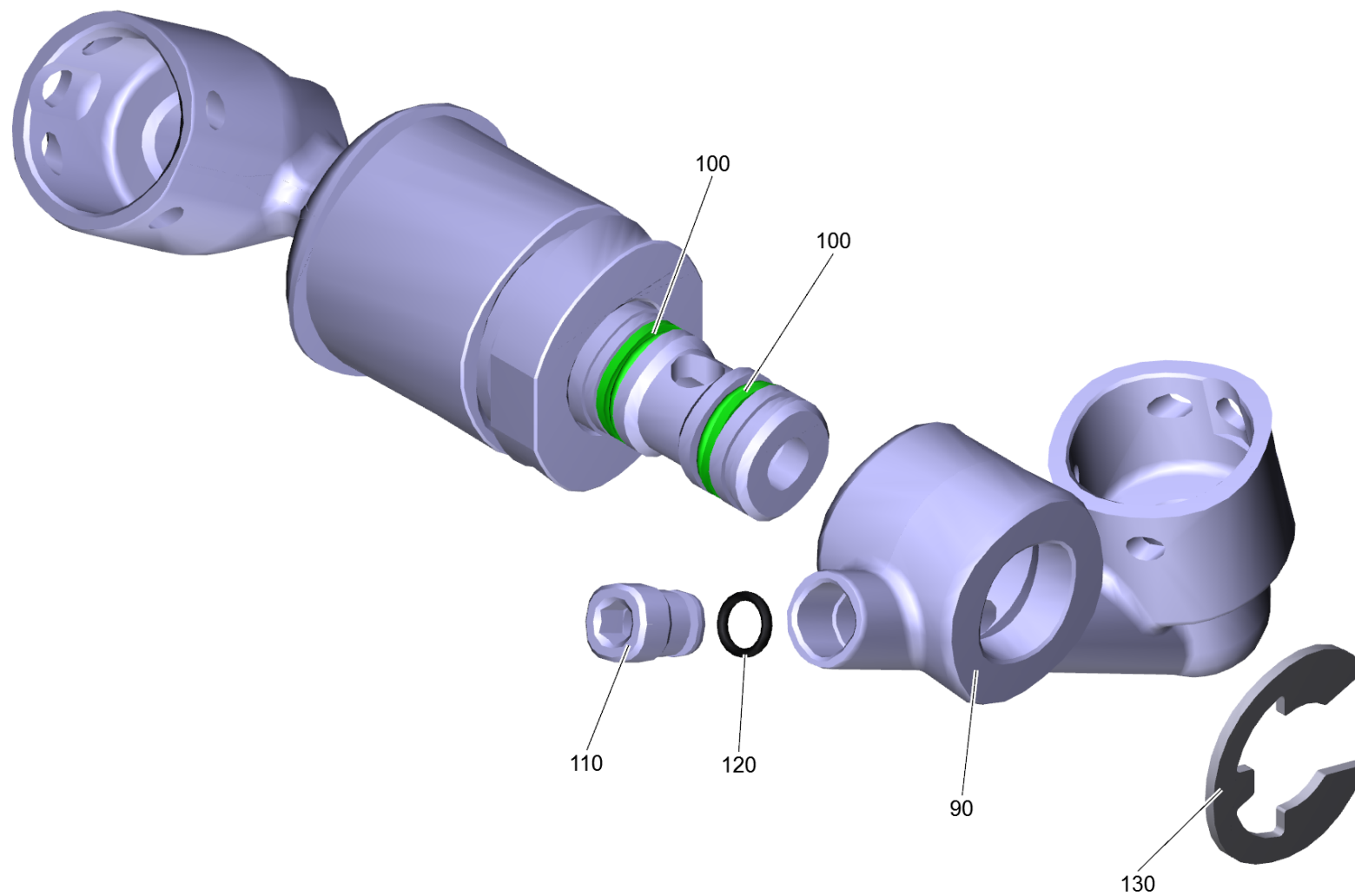
33 Module shearing shackle complete HD-MX

POS	Article no.	Description	Quantity	Unit
1	4.034-049.3	Handhold complete for replacement HD-MX	1	PC
3	5.034-170.0	Locking part	1	PC
4	5.332-001.0	Helical spring	1	PC
5	5.645-938.0	Holder jet pipe	1	PC
6	5.646-035.0	Retainer accessories	1	PC
9	7.303-108.0	Screw 5x20 -10.9-R2R (In6Rd)	1	PC
10	5.034-230.3	Homebase foam nozzle for replacement HD-M	1	PC
901	4.034-266.3	Holder complete HD-M	1	PC



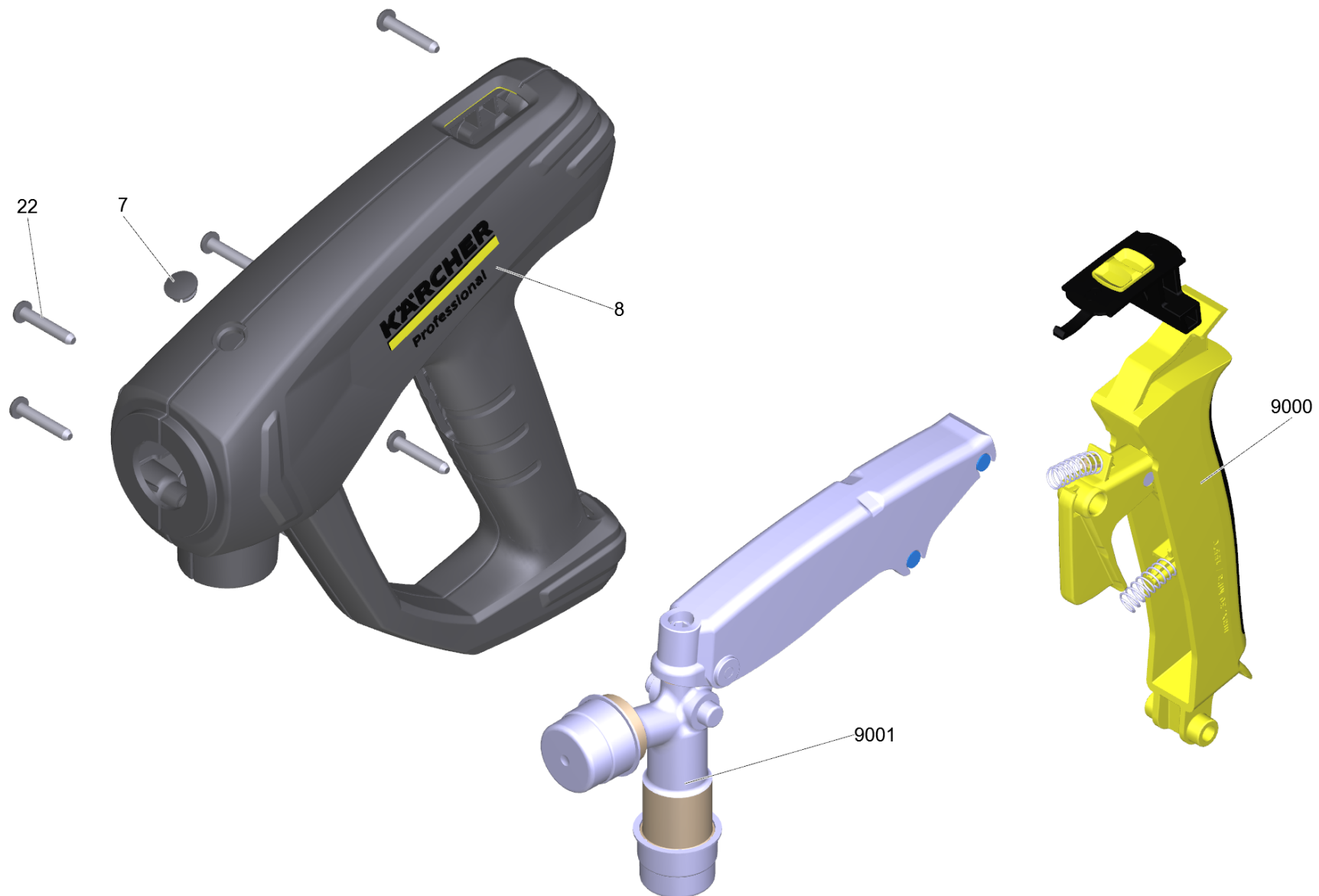
60 Automatic hose reel

POS	Article no.	Description	Quantity	Unit
10	5.776-049.3	Hose reel right	1	PC
20	5.776-050.3	Hose reel Left	1	PC
30	5.776-051.3	Hose reel holder right	1	PC
40	5.776-052.3	Hose reel holder left	1	PC
50	5.646-053.3	Spring cover	1	PC
60	6.269-007.0	Power spring 25x0,55x9500	1	PC
70	5.646-054.0	Reel support left	1	PC
80	5.034-210.3	Tube trolley for replacement HD-M X	1	PC
90	4.645-707.3	Water connection	1	PC
100	4.269-019.3	Locking pin	1	PC
110	5.132-020.3	Cover	1	PC
120	7.303-108.0	Screw 5x20 -10.9-R2R (In6Rd)	16	PC
130	6.303-566.0	Screw 4,2x22 R2R	2	PC
150	4.037-013.0	Hook	2	PC
180	5.064-524.0	Rotary union support	1	PC
190	5.646-055.0	Hose stop right DN6	1	PC
200	5.646-056.0	Hose stop left DN6	1	PC
210	6.303-318.0	Screw 3,5x12-10.9-R2R (IN6RD)	2	PC
220	6.110-080.0	Hose assembly TR rotatable DN6 27MPa 15m	1	PC
901	4.100-757.0	Spare parts set hose guide complete	2	PC



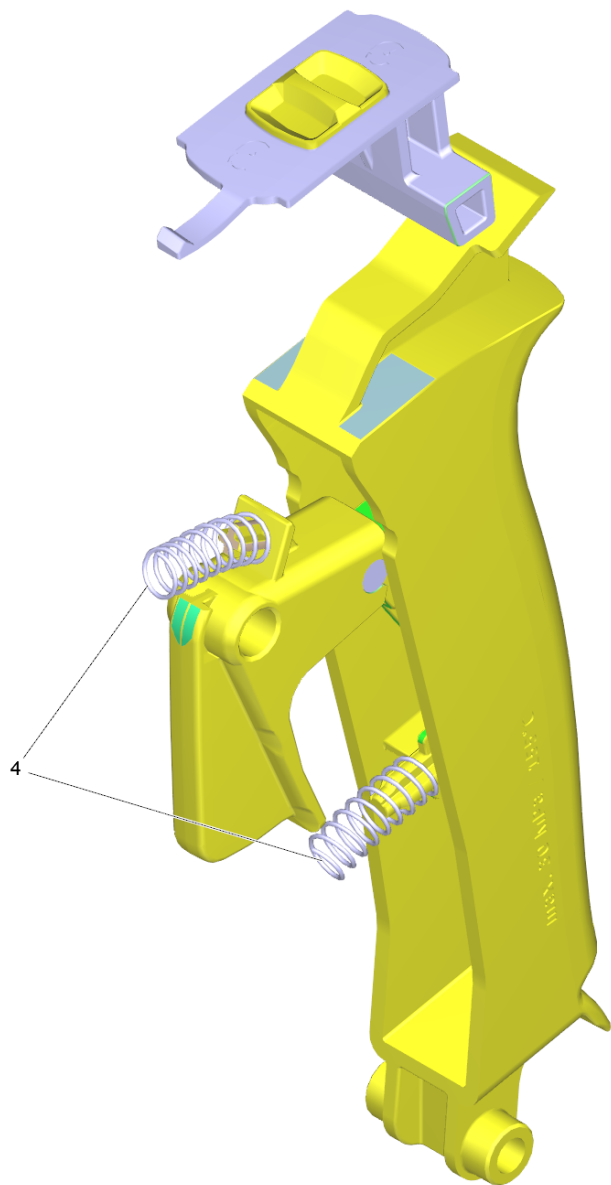
90 Water connection (4.645-707.3)

POS	Article no.	Description	Quantity	Unit
90	5.427-059.0	Manifold	1	PC
100	6.362-575.0	O-Ring seal 12,42 KOMPL	2	PC
110	5.411-161.0	CLOSING SCREW M10X1	1	PC
120	6.362-703.0	O-Ring seal 6,0x1,5-NBR 70	1	PC
130	7.343-304.0	Lock washer 15 -A2 DIN 6799	1	PC



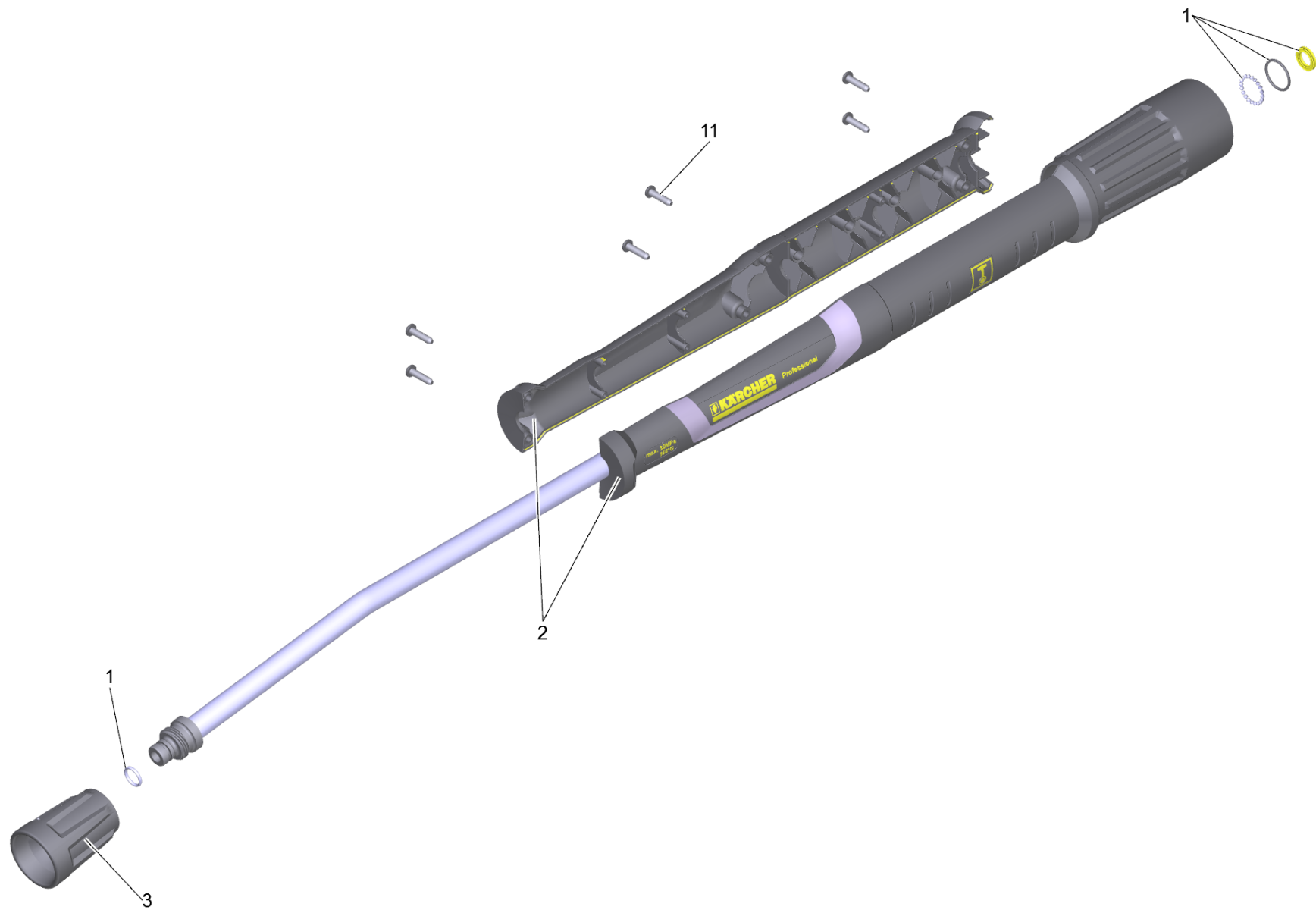
21 EASY!Force Advanced (4.118-005.0)

POS	Article no.	Description	Quantity	Unit
7	5.132-001.0	Plug	1	PC
8	5.321-136.3	Handhold few EH 155 only for replacement	1	PC
22	7.303-096.0	Screw 4x22-ST-10.9-R2R (IN6RD)	7	PC
9000	2.885-483.0	Spare part set lever	1	PC
9001	4.427-014.0	Manifold TR EH 155 nur fuer Ersatz	1	PC



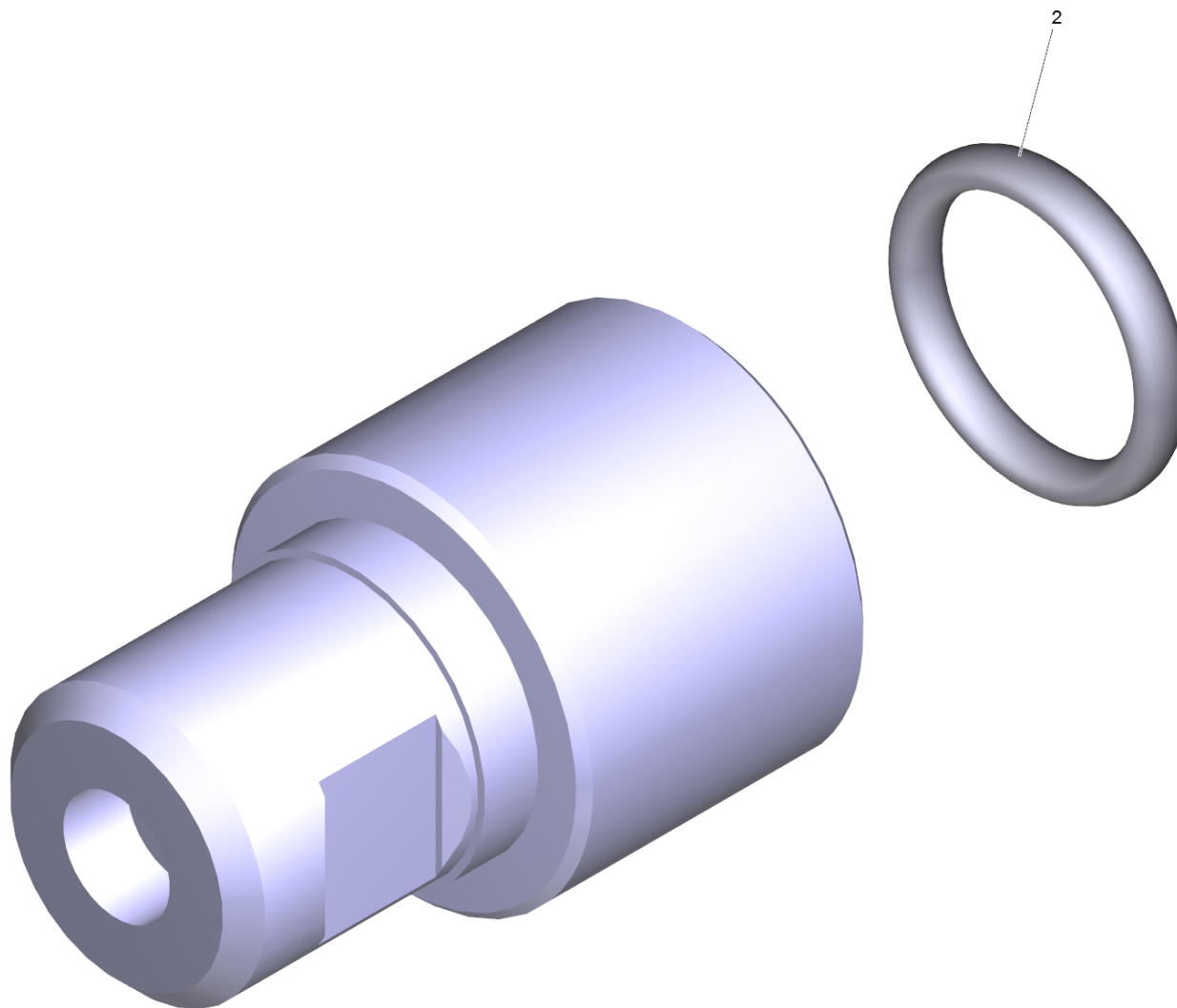
9000 Spare part set lever (2.885-483.0)

POS	Article no.	Description	Quantity	Unit
4	5.332-178.0	Helical spring	2	PC



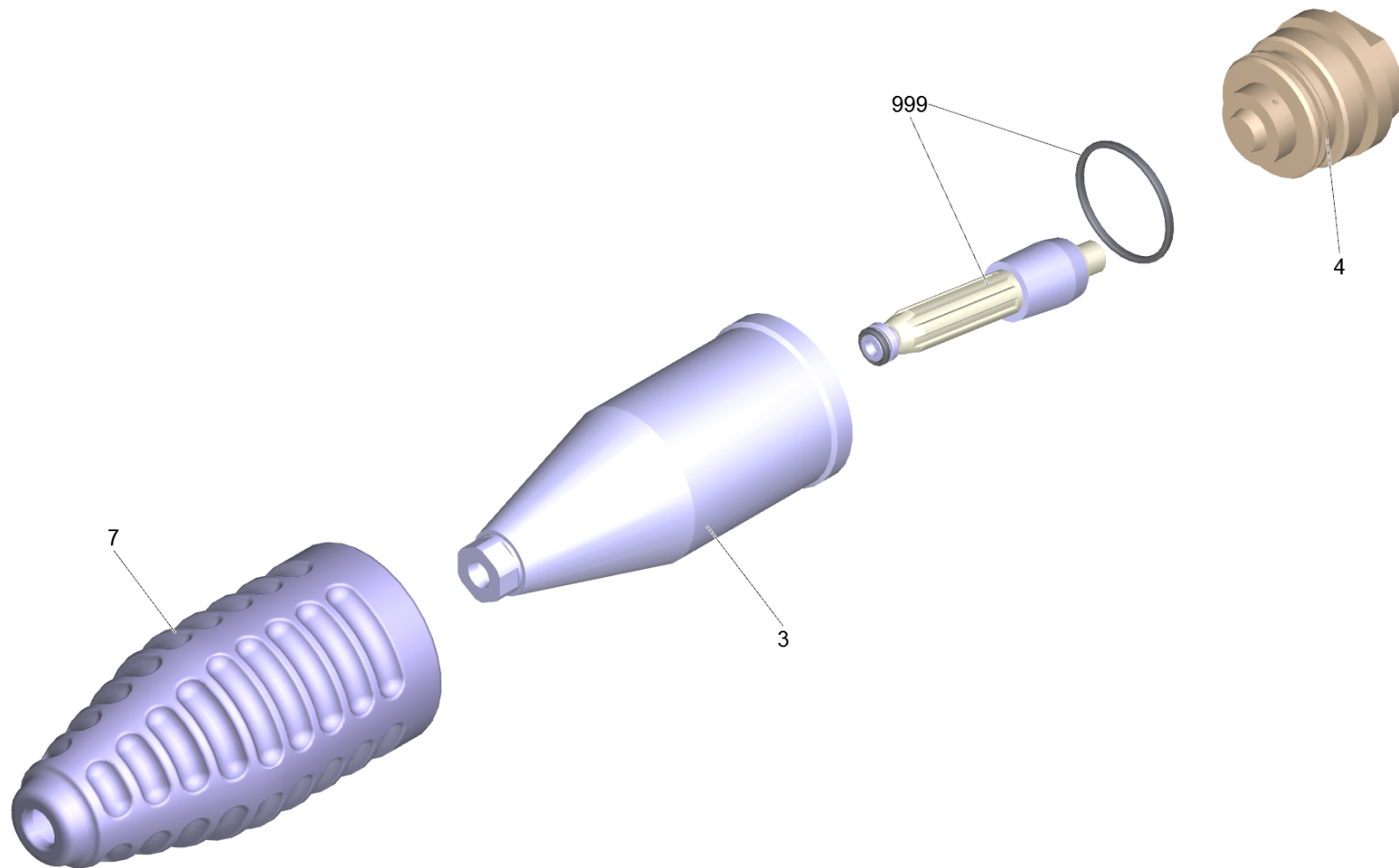
22 Jet pipe TR 840 mm (4.112-006.0)

POS	Article no.	Description	Quantity	Unit
1	4.100-688.0	Spare part set seal TR	1	PC
2	5.321-018.3	Handle bowl jet pipe only for replacemen	1	PC
3	4.112-011.0	Protection part TR only for replacement	1	PC
11	7.303-129.0	Screw 4x16-10.9-R2R (K-In6Rd)	6	PC



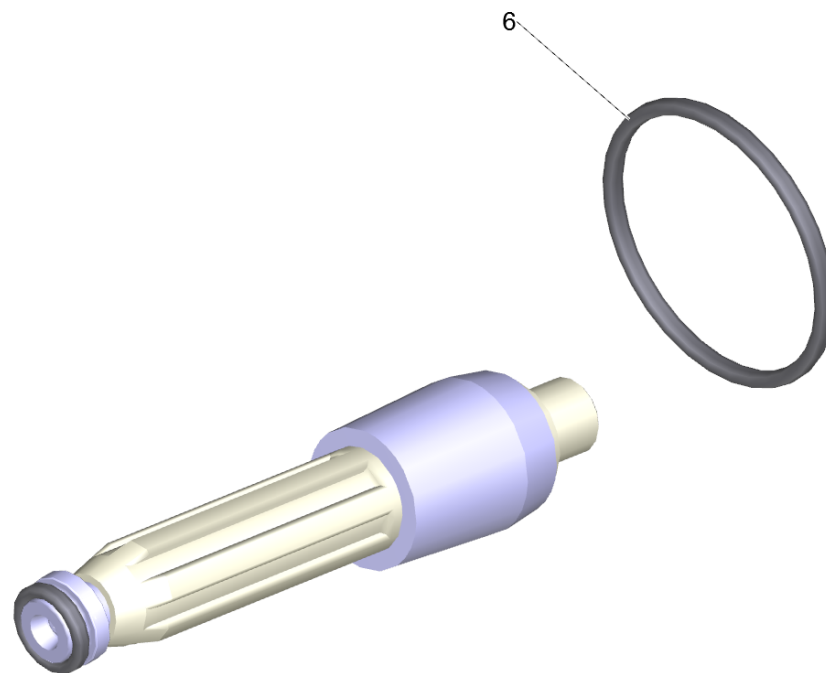
25 Power nozzle TR 25042 (2.113-007.0)

POS	Article no.	Description	Quantity	Unit
2	2.880-001.0	Spare part set seals TR	1	PC



26 Dirt blaster TR 045 Prof. (4.114-042.0)

POS	Article no.	Description	Quantity	Unit
3	5.060-500.3	Housing	1	PC
4	5.111-571.0	Cover dirt blaster TR 045	1	PC
7	5.111-566.0	Protection part dirt blaster TR	1	PC
999	2.884-113.0	Spare part set dirt blaster 045	1	PC

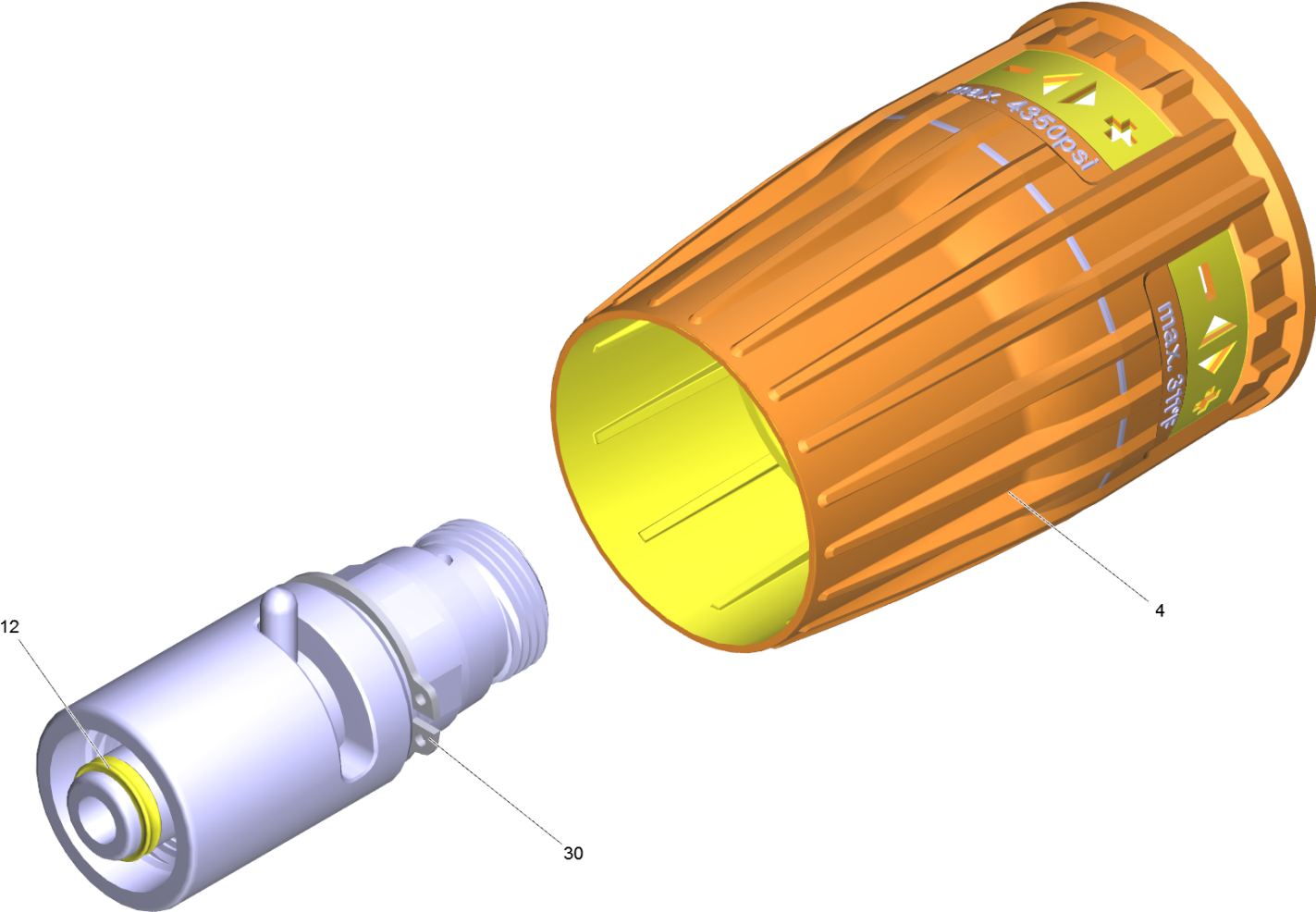


999 Spare part set dirt blaster 045 (2.884-113.0)

POS	Article no.	Description	Quantity	Unit
6	6.362-463.0	O-Ring seal 28,0 X 2,0-NBR 78	1	PC

27 Rotary controller TR 270L (4.118-007.0)

POS	Description	Quantity	Unit
1	Rotary controller TR 270L	1	PC



1 Rotary controller TR 270L

POS	Article no.	Description	Quantity	Unit
4	5.321-364.3	Handhold rotary controller	1	PC
12	2.880-001.0	Spare part set seals TR	1	PC
30	7.343-069.0	Locking ring 25x1,2-1.4122 DIN 471	1	PC