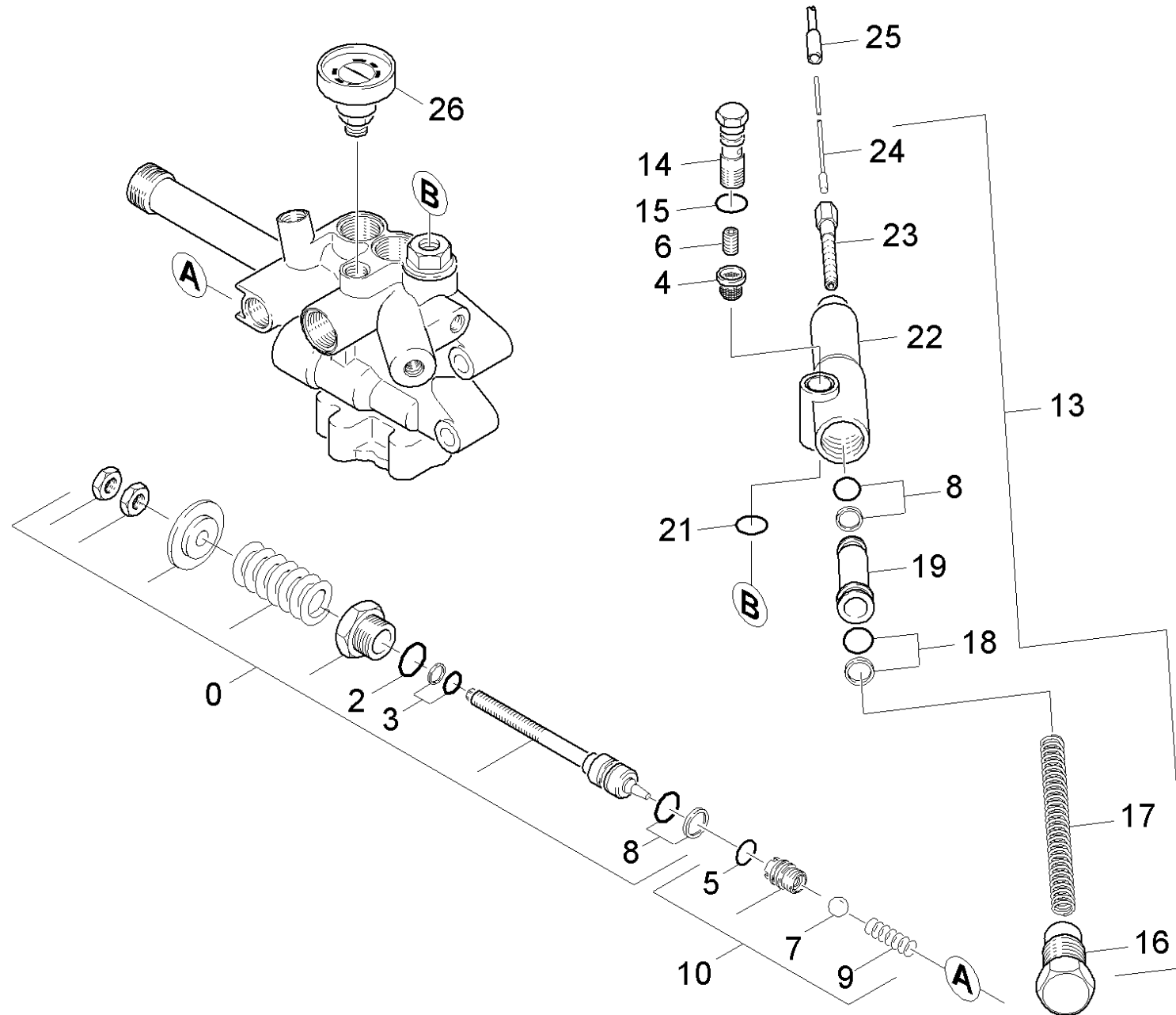


23 Excess-current

Professional \ High pressure cleaner hotwater \ Combustion engine \ HDS 1000 DE *EU \ Spare parts list HDS 1000 DE \ Pump set \ Excess-current



23 Excess-current

Professional \ High pressure cleaner hotwater \ Combustion engine \ HDS 1000 DE *EU \ Spare parts list HDS 1000 DE \ Pump set \ Excess-current

KÄRCHER

POS	Article no.	Description	Quantity	Unit
0	4.591-035.3	Overflow valve	1.000	ST
2	6.362-445.0	O-Ring seal 16,0 X 2,4-NBR 80	1.000	ST
3	6.362-365.0	O-Ring seal complete 1ST.-R.- 7,65X 1,7	1.000	ST
4	6.414-142.0	Strainer	1.000	ST
5	6.362-858.0	O-Ring seal 11,0 X 1,5	1.000	ST
6	5.305-283.0	Screw	1.000	ST
7	7.401-907.0	Sphere 3/8 G200-1.4301 DIN 5401	1.000	ST
8	6.362-575.0	O-Ring seal 12,42 KOMPL	1.000	ST
9	5.332-999.0	Helical spring	1.000	ST
10	4.481-226.0	Valve seat complete	1.000	ST
13	4.741-016.3	Speed control	1.000	ST
14	5.404-063.0	Hollow screw	1.000	ST
15	6.362-384.0	O-Ring seal 9x1,5 - NBR 70	1.000	ST
16	5.411-139.0	Screw plug	1.000	ST
17	5.332-232.0	Helical spring	1.000	ST
18	6.362-611.0	O-Ring seal complete	1.000	ST
19	5.553-222.0	Piston	1.000	ST
21	6.362-527.0	O-Ring seal 12,0 X 1,5-NBR 70	1.000	ST
22	5.060-335.0	Housing	1.000	ST
23	6.431-054.0	Adjusting screw	1.000	ST
24	6.431-089.0	Strand 635 mm	1.000	ST
25	6.431-065.0	Wire cage 435mm	1.000	ST
26	6.421-214.0	Pressure gauge 0-300 BAR	1.000	ST