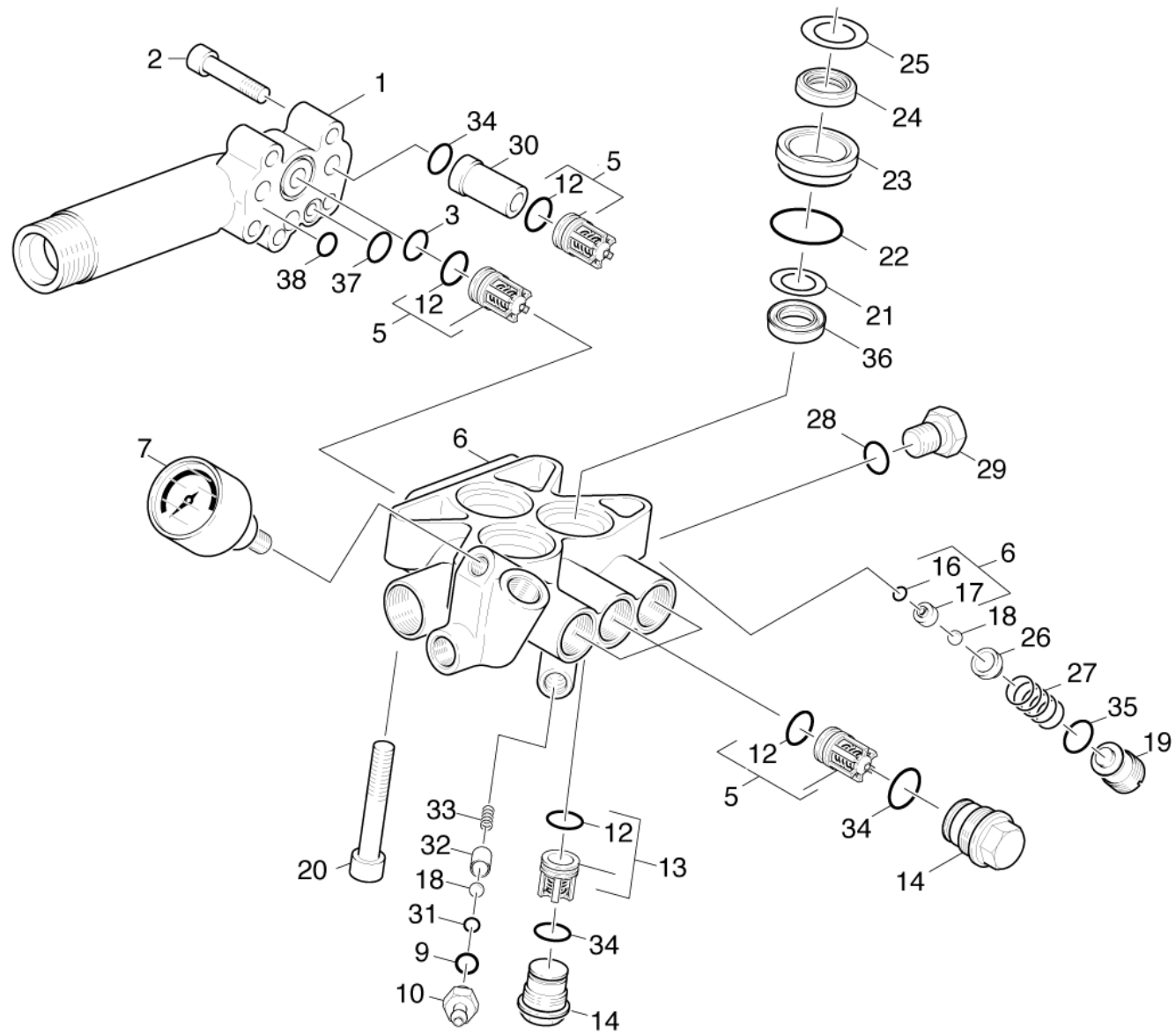


21 Cylinder head

Overview technical documents/Professional/High pressure cleaner cold water/Electric motor/HD 895SX Plus*GB-AU (1.086-906.0)/Spare parts list HD 895 SX/20 Pump set/21 Cylinder head



21 Cylinder head

Overview technical documents/Professional/High pressure cleaner cold water/Electric motor/HD 895SX Plus*GB-AU (1.086-906.0)/Spare parts list HD 895 SX/20 Pump set/21 Cylinder head

Rez.daļas/nodil.pakļ.daļas	Poz.	Materiāla Nr.	Nosaukums	Daudzums	Pārdoš. vienība	no sēr. Nr..	līdz sēr. Nr.
	1	5.060-599.0	Vārsta korpuss	1.000	ST	0000000000	0000000000
X-X	2	7.306-044.0	Cylinder head screw M8x35	5.000	ST	0000000000	0000000000
X-X	3	6.362-547.0	Gredzenblīve 20,0x1,5-NBR 70	1.000	ST	0000000000	0000000000
X-X	5	2.884-512.0	Valve (3 Stueck)	1.000	ST	0000000000	0000000000
	6	4.550-363.0	Cylinder head complete only for replacem	1.000	ST	0000000000	0000000000
X-X	7	6.421-209.0	pressure gauge	1.000	ST	0000000000	0000000000
X	9	6.362-113.0	Gredzenblīve 6,0 x 2,0 NBR 70	1.000	ST	0000000000	0000000000
X-X	10	5.443-370.0	Nipelis	1.000	ST	0000000000	0000000000
X-X	12	6.362-381.0	Gredzenblīve 13x2 - NBR 70	7.000	ST	0000000000	0000000000
X-X	13	4.580-323.0	Valve complete	1.000	ST	0000000000	0000000000
X-X	14	5.583-146.0	Vārsta skrūve	4.000	ST	0000000000	0000000000
X-X	16	6.362-703.0	Gredzenblīve 6,0x1,5-NBR 70	1.000	ST	0000000000	0000000000
X	17	5.581-218.0	Vārsta ligzda	1.000	ST	0000000000	0000000000
	18	7.401-908.0	Sfēra 7 G300 -1.4301 DIN 5401	2.000	ST	0000000000	0000000000
	19	5.583-089.0	Valve screw	1.000	ST	0000000000	0000000000
X-X	20	7.306-125.0	Cil. galvas skr. M10x70-8.8-A3E ISO4	4.000	ST	0000000000	0000000000
X-X	21	5.115-492.0	Paplāksne	3.000	ST	0000000000	0000000000
X-X	22	6.362-398.0	Gredzenblīve 27,5 X 1,5-NBR 70	3.000	ST	0000000000	0000000000
X-X	23	5.112-402.0	Bukse	3.000	ST	0000000000	0000000000
X-X	24	6.365-351.0	Gredzenblīve	3.000	ST	0000000000	0000000000
X-X	25	5.115-493.0	Paplāksne	3.000	ST	0000000000	0000000000
X	26	5.582-075.0	Valve disc	1.000	ST	0000000000	0000000000
X-X	27	5.332-203.0	Spirālveida atspere	1.000	ST	0000000000	0000000000
	28	6.362-101.0	Gredzenblīve 8 X 2	1.000	ST	0000000000	0000000000
X-X	29	5.411-070.0	Vītņtapa	1.000	ST	0000000000	0000000000

21 Cylinder head

Overview technical documents/Professional/High pressure cleaner cold water/Electric motor/HD 895SX Plus*GB-AU (1.086-906.0)/Spare parts list HD 895 SX/20 Pump set/21 Cylinder head

Rez.daļas/nodil.pakļ.daļas	Poz.	Materiāla Nr.	Nosaukums	Daudzums	Pārdoš. vienība	no sēr. Nr..	līdz sēr. Nr.
X-X	30	5.110-608.0	Uzmava	2.000	ST	0000000000	0000000000
X-X	31	6.362-175.0	Gredzenblīve 5,28x 1,78	1.000	ST	0000000000	0000000000
	32	5.110-522.0	Sleeve	1.000	ST	0000000000	0000000000
	33	5.332-258.0	Spirālveida atspere	1.000	ST	0000000000	0000000000
X-X	34	6.362-481.0	Gredzenblīve 14,0 x 2,0 NBR 80	6.000	ST	0000000000	0000000000
X-X	35	6.362-169.0	Gredzenblīve 12,0 X 2,0	1.000	ST	0000000000	0000000000
X-X	36	6.365-408.0	Gredzens ar gropi 16x24x5.3	3.000	ST	0000000000	0000000000
X-X	37	6.362-384.0	Gredzenblīve 9x1,5 - NBR 70	1.000	ST	0000000000	0000000000
X-X	38	6.362-658.0	O-Ring seal 7 X 1,5-NBR 90	1.000	ST	0000000000	0000000000
X-X	100	2.883-816.0	Complete pump set	1.000	ST	0000000000	0000000000