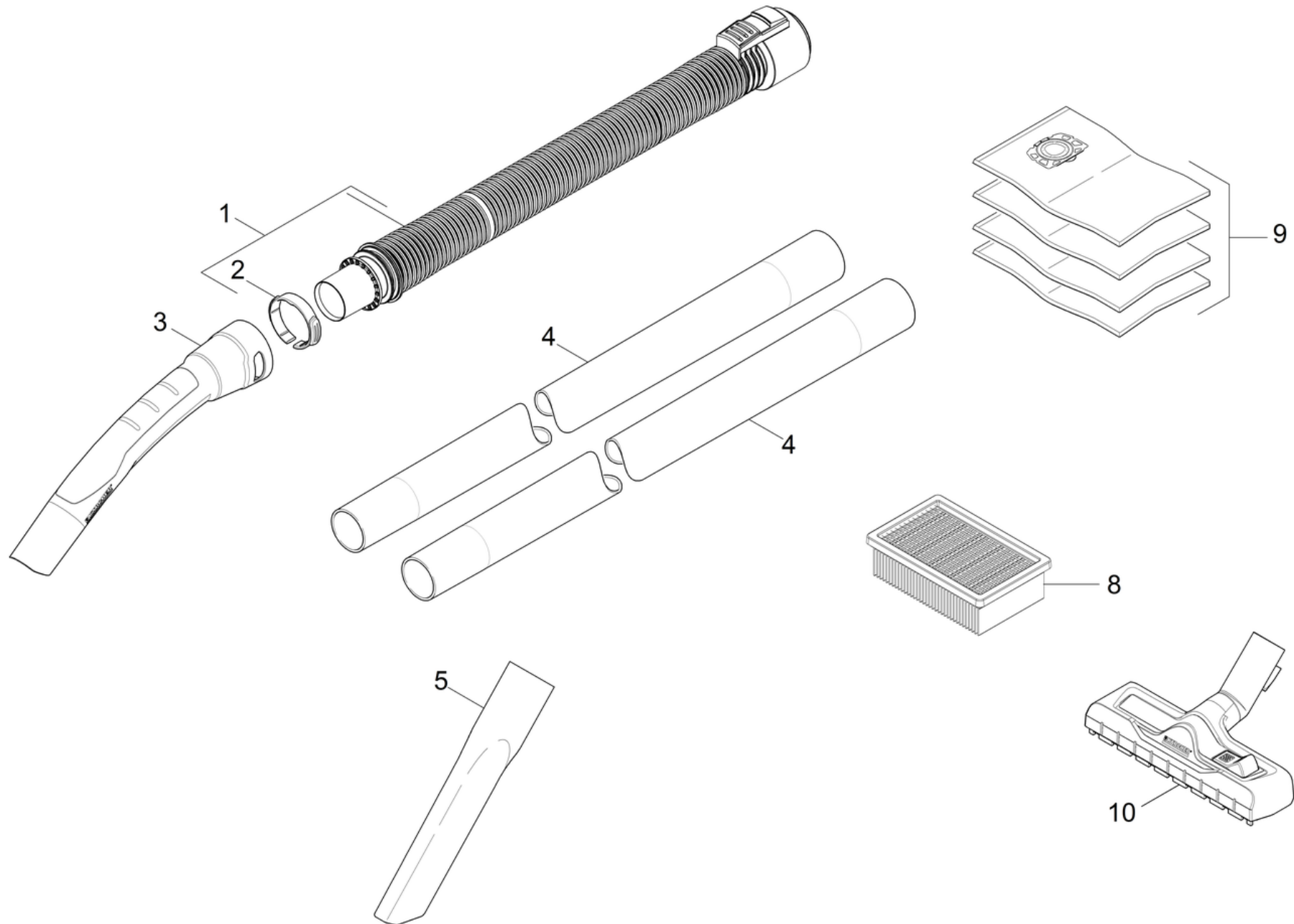


30 Accessories

Home and Garden \ Vacuum cleaner \ Wet-/Dry vacuum cleanerwet \ WD 5 Premium *EU-I \ Accessories

KÄRCHER



30 Accessories

Home and Garden \ Vacuum cleaner \ Wet-/Dry vacuum cleanerwet \ WD 5 Premium *EU-I \ Accessories

KÄRCHER

POS	Article no.	Description	Quantity	Unit
1	4.441-091.0	Suction hose complete for replacement	1.000	ST
2	6.645-688.0	Spring washer suction hose	1.000	ST
3	2.863-012.0	Hand grip suction hose	1.000	ST
4	2.863-308.0	Extension suction tube WD ID 35	2.000	ST
5	6.900-385.0	Crevice nozzle DN35	1.000	ST
8	2.863-005.0	Flat-pleated filter WD	1.000	ST
9	2.863-006.0	Filter bag fleece WD 4pc.	1.000	ST
10	2.863-000.0	Wet and dry nozzle switchable WD/SE	1.000	ST