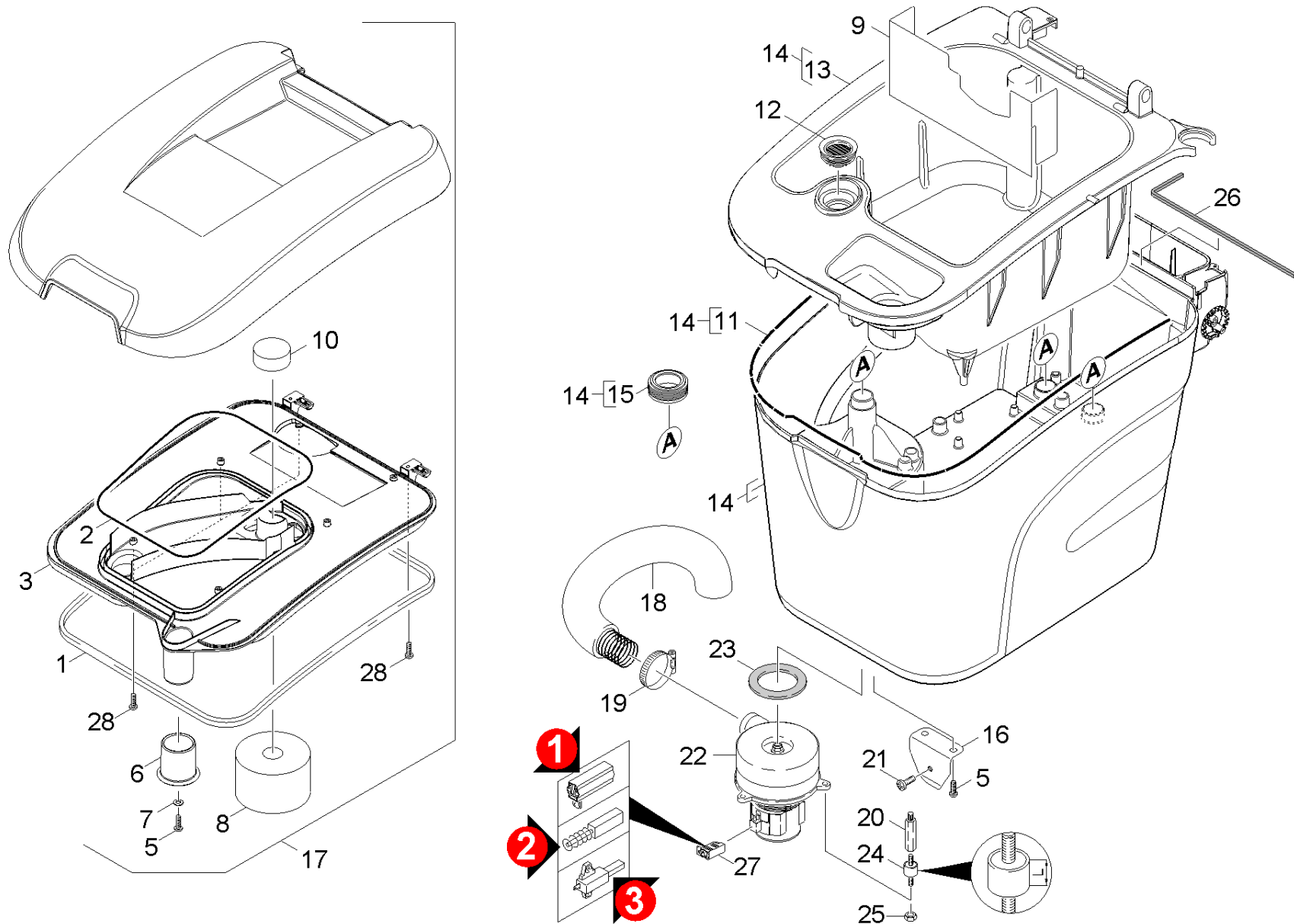


## 11 Tank

Overview technical documents/Professional/Floor cleaner/Walk behind/BR 40/25 C Bp \*EU (1.515-201.0)/Spare parts list BR/BD 40/25 C/10 Tank/11 Tank



## 11 Tank

Overview technical documents/Professional/Floor cleaner/Walk behind/BR 40/25 C Bp \*EU (1.515-201.0)/Spare parts list BR/BD 40/25 C/10 Tank/11 Tank

Rez.daļas/nodil.pakļ.daļas	Poz.	Materiāla Nr.	Nosaukums	Daudzums	Pārdoš. vienība	no sēr. Nr..	līdz sēr. Nr.	Daž. informācija
X-X	1	6.366-043.0	Profila plomba	1.000	M	0000000000	0000000000	
X-X	2	6.273-196.0	Seal string cellular rubber	1.000	M	0000000000	0000000000	
	3	4.032-012.0	Covering cap replacement	1.000	ST	0000000000	0000000000	
X-X	5	7.303-112.0	Screw 6x20 -10.9-R2R (In6Rd)	3.000	ST	0000000000	0000000000	
X-X	6	5.363-658.0	Blīvgredzens	1.000	ST			
X-X	7	7.312-266.0	Washer 6-A2 ISO 7094	1.000	ST	0000000000	0000000000	
X-X	8	5.585-042.0	Pludiņš	1.000	ST	0000000000	0000000000	
	9		Stockpiling discontinued	1.000	ST	0000000000	0000000000	
X	10	5.032-664.0	Plug vacuum channel	1.000	ST	0000000000	0000000000	
	11	6.273-104.0	Seal cellular rubber /sealing soft tube	1.000	M	0000000000	0000000000	
X-X	12	5.515-266.0	Sieta filtra blīvgredzens	1.000	ST	0000000000	0000000000	
	13	5.071-157.0	Waste water tank	1.000	ST	0000000000	0000000000	
	14	4.071-221.0	Tank complete only for replacement BR/BD	1.000	ST			
	14	3.071-035.0	Tank replacement	1.000	ST	0000000000	0000000000	
X-X	15	5.363-647.0	Joint ring FW-SW	3.000	ST	0000000000	0000000000	
	16	5.008-164.0	Plate closure tank	1.000	ST	0000000000	0000000000	
	17	4.063-817.0	Cover replacement	1.000	ST	0000000000	0000000000	
X-X	18	6.390-215.0	Skaņu izolējoša šļūtene	1.000	ST			
Pozīcijas teksts: /1.515-108/-159-201/-202/-205/-206 /-207/-251/-252/-255/-256/-257/-258 /-301/-302/-303/-304/-306/-308/-351 /-352/-353/-354/-355/-356.0								
X-X	18	6.388-949.0	SUCTION TUBE	1.000	ST			
Pozīcijas teksts: /1.515-101/ -102/-103/-105/-106 /-107/-151/-152/-153/-155 /-156/-157.0								
X-X	19	6.388-713.0	hose clip	1.000	ST	0000000000	0000000000	
X-X	20	5.308-056.0	Stud bolt	3.000	ST			
Pozīcijas teksts: /1.515-155/ -156/-159.0								
	20	5.317-125.0	Stud bolt	3.000	ST			
Pozīcijas teksts: /1.515-101/-102/-103/-105/-106/-108 /-151/-152/-153/-201/-202/-205/-206 /-251/-252/-255/-256/-258/-301/-302 /-303/-304/-306/-308/-351/-352/-353 /-354/-355/-356.0								

**11 Tank**

Overview technical documents/Professional/Floor cleaner/Walk behind/BR 40/25 C Bp \*EU (1.515-201.0)/Spare parts list BR/BD 40/25 C/10 Tank/11 Tank

Rez.daļas/nodil.pakļ.daļas	Poz.	Materiāla Nr.	Nosaukums	Daudzums	Pārdoš. vienība	no sēr. Nr..	līdz sēr. Nr.	Daž. informācija
X-X	21	7.306-193.0	Screw M6x16 -A2-70 (In6Rd)	1.000	ST	0000000000	0000000000	
X-X	22	4.035-054.0	Vacuum motor replacement	1.000	ST			
Pozīcijas teksts: /1.515-201/-202/-205/-206/-207/-251 /-252/-255/-256/-257/-258/-301/-302 /-303/-304/-306/-308/-351/-352/-353 /-354/-355/-356.0								
X	22	4.035-055.0	Vacuum motor replacement	1.000	ST			
Pozīcijas teksts: //1.515-103/ -105/-106/-153-155/ -156.0								
X-X	22	4.035-056.0	Vacuum motor replacement	1.000	ST			
Pozīcijas teksts: //1.515-101/-102/ -107/-108/ -151/-152/ -157/-159.0								
X-X	23	5.363-574.0	Blīvgredzens	1.000	ST			
X-X	24	6.339-021.0	Rubber buffer 2xM6-D20 H15	3.000	ST	0000000000	0000000000	L=15mm
X-X	24	6.339-241.0	Rubber buffer 2xM6 D20 H12	3.000	ST			L=12mm
X-X	25	7.311-541.0	Hexagon nut M 6-8-A2E EN 1661	3.000	ST	0000000000	0000000000	
	26	5.363-669.0	Seal L shape	1.000	ST			
X-X	27	6.490-230.0	Ogles birstes komplekts	1.000	ST			
Pozīcijas teksts: /1.515-201/-202/-205/-206/-207/-251 /-252/-255/-256/-257/-258/-301/-302 /-303/-304/-306/-308/-351/-352/-353 /-354/-355/-356.0								
X-X	27	6.490-260.0	Ogles birstes komplekts	1.000	ST			
Pozīcijas teksts: /1.515-201/-202/-205/-206/-207/-251 /-252/-255/-256/-257/-258/-301/-302 /-303/-304/-306/-308/-351/-352/-353 /-354/-355/-356.0								
X-X	27	6.610-221.0	Matuoklis	1.000	ST			
Pozīcijas teksts: //1.515-103/-105/ -106/-108/-153/-155/ -156/-159.0								
	28	6.303-200.0	Skrūve 5x25-IN6RD	8.000	ST			