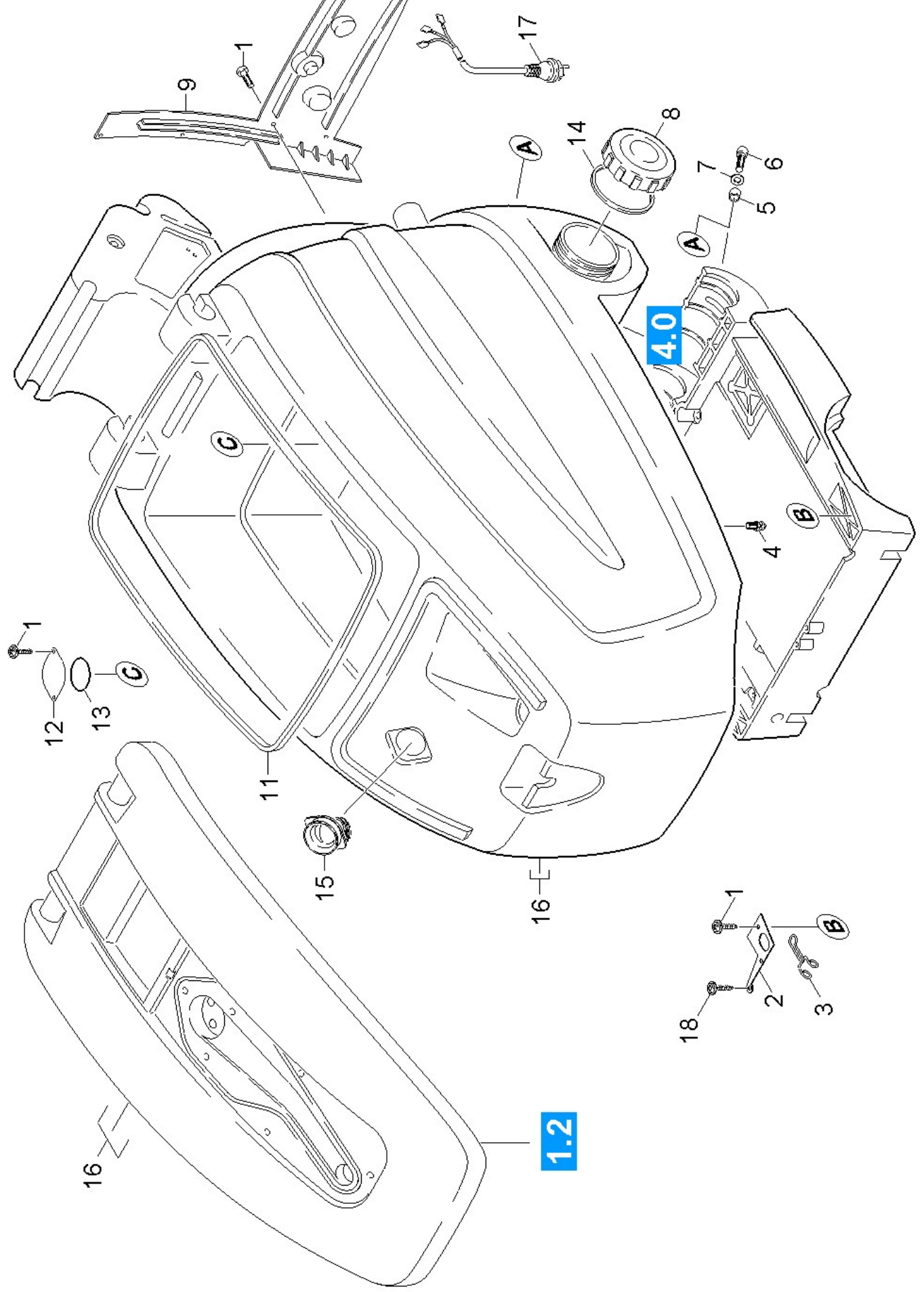
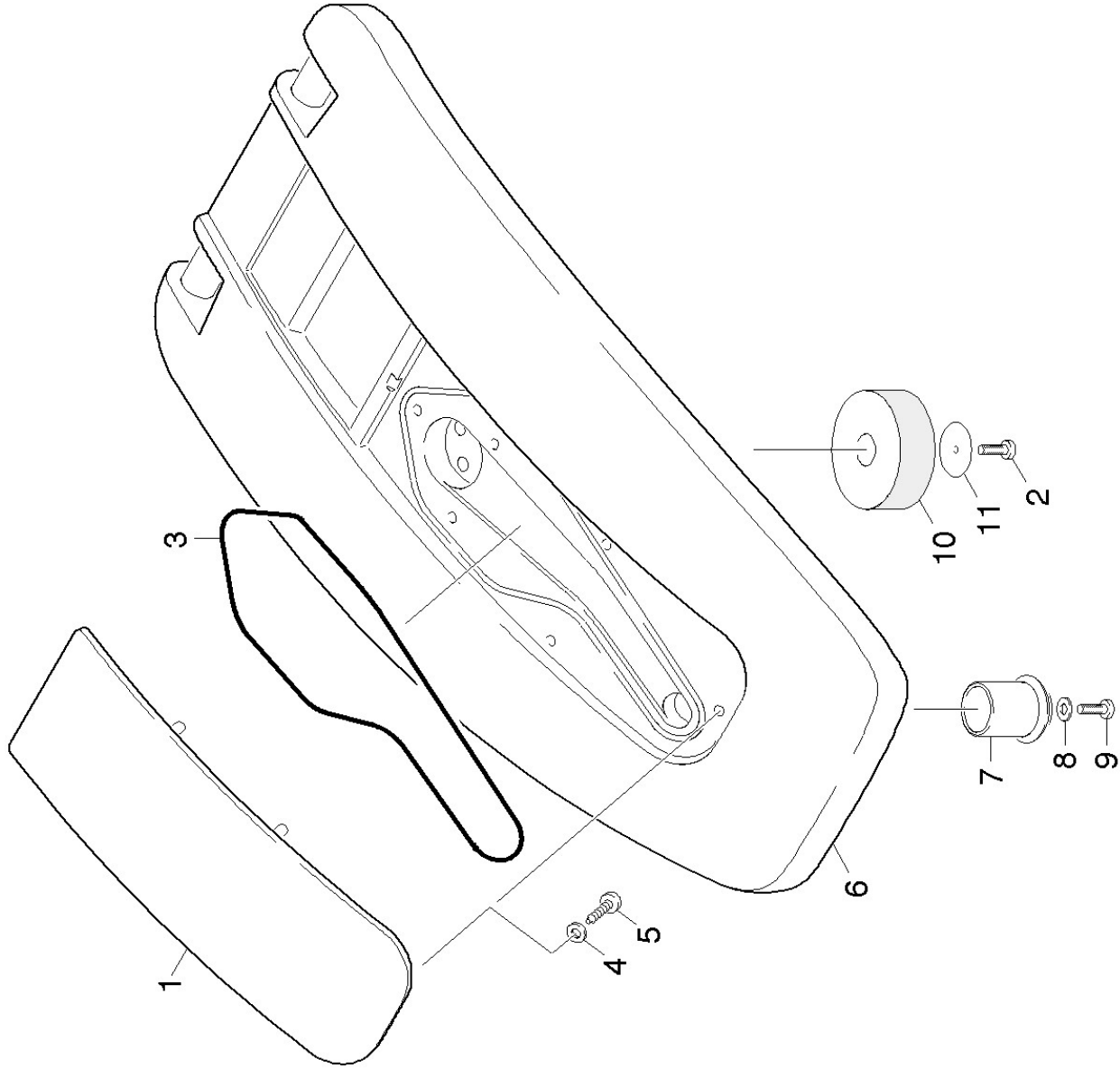


11 Individual parts



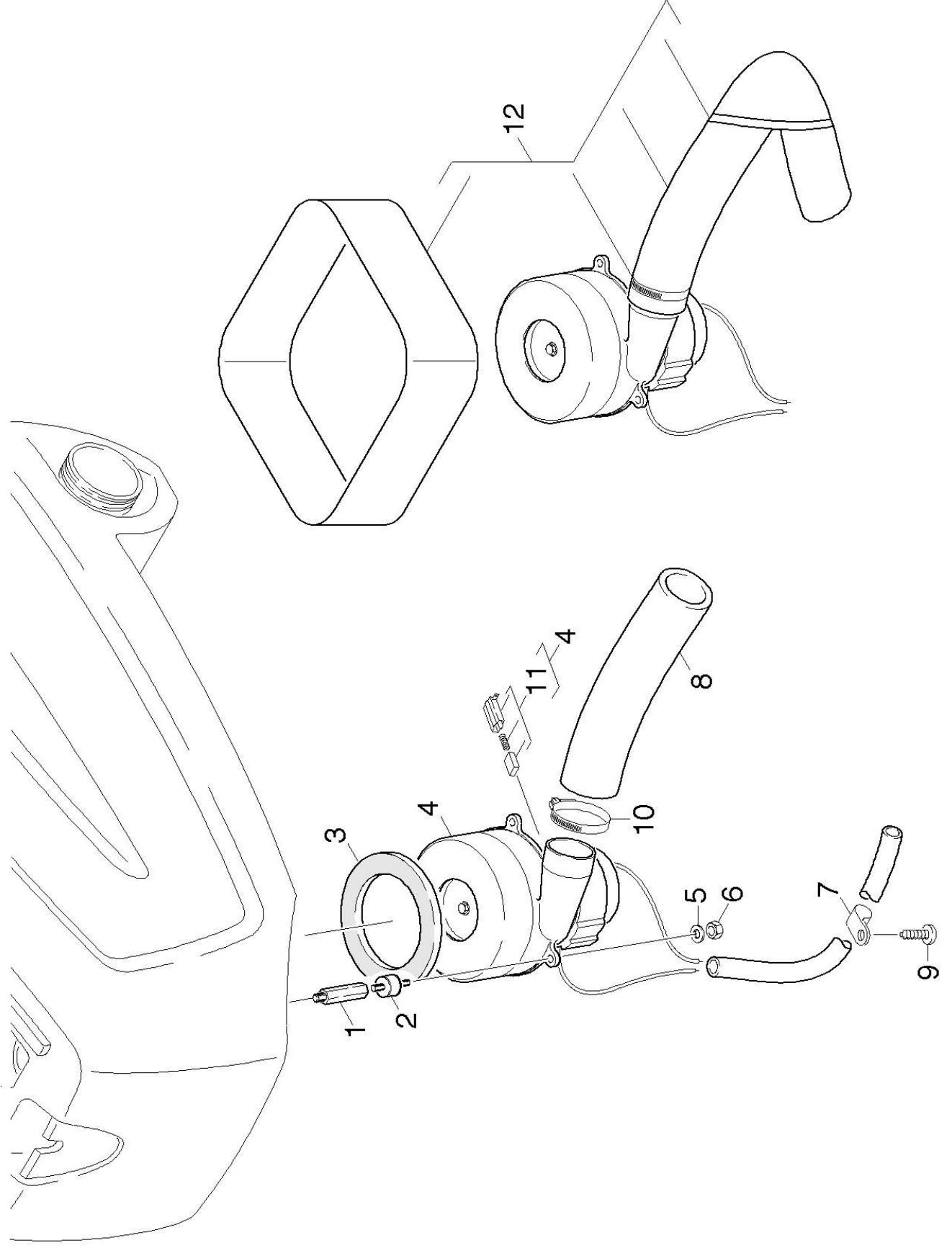
11 Individual parts

POS	Article no.	Description	Quantity	Unit	Foot note text
4	5.317-091.0	Bolt	1.000	ST	
17	6.649-227.0	Cable with plug	1.000	ST	
	<b>Item text1:</b> //1.384-151.0 / -152.0 / -251.0 / -252.0				
8	6.392-120.0	Cap of a tank	1.000	ST	
9	5.069-010.0	Covering cap	1.000	ST	
6	7.304-801.0	Hexagonal head screw M10x25-A4-70 ISO 4	2.000	ST	
15	5.363-547.0	Joint ring	1.000	ST	BLACK
13	6.362-631.0	O-Ring seal 58,0 X 2,5	1.000	ST	
12	5.001-888.0	Plate 328	1.000	ST	
2	5.011-494.0	Plate locking part tank B 60 W	1.000	ST	
	<b>Item text1:</b> //1.384-111.0 / -121.0 / -123.0 / -161.0				
	<b>Item text2:</b> / -211.0 / -221.0 / -718.0 / -818.0				
2	5.008-593.0	Plate locking part tank BR 55/60 WEP	1.000	ST	
	<b>Item text1:</b> //1.384-151.0 / -152.0 / -251.0 / -252.0				
3	5.034-688.0	Retaining bracket closure tank	1.000	ST	
	<b>Item text1:</b> //1.384-111.0 / -121.0 / -123.0 / -161.0				
	<b>Item text2:</b> / -211.0 / -221.0 / -718.0 / -818.0				
1	7.303-107.0	Screw 5x16 -10.9-P2R (K-In6Rd)	10.000	ST	
18	7.303-112.0	Screw 6x20 -10.9-R2R (In6Rd)	1.000	ST	
14	6.363-214.0	Seal	1.000	ST	
11	6.366-043.0	Sealing profile	1.000	M	TO ORDER AS CUT GOODS
5	5.110-944.0	Sleeve frame tank	2.000	ST	
16	4.061-008.0	Tank blue with cover	1.000	ST	BLUE
	<b>Item text1:</b> / 1.384-123.0				
16	4.071-206.0	Tank complete only for replacement B 60	1.000	ST	GREY
16	4.071-148.0	Tank complete with cover	1.000	ST	YELLOW
7	7.312-290.0	Washer 10-A2 ISO 7093-1	2.000	ST	



12 Cap of a tank

POS	Article no.	Description	Quantity	Unit	Foot note text
6	5.064-040.0	Cover BR/BD 55.60 W	1.000	ST	
1	5.069-007.0	Covering cap	1.000	ST	
10	5.585-044.0	Float BR/BD 55/60	1.000	ST	
7	5.363-549.0	Joint ring Frischwasseroeffnung	1.000	ST	
2	7.303-107.0	Screw 5x16 -10.9-P2R (K-In6Rd)	1.000	ST	
5	7.303-104.0	Screw 5x16 -A2-70 (In6RD)	6.000	ST	
9	7.303-105.0	Screw 5x25 -A2-70-bk (In6Rd)	1.000	ST	
3	6.273-196.0	Seal string cellular rubber	1.000	M	TO ORDER AS CUT GOODS
11	5.115-754.0	Washer	1.000	ST	
8	7.312-267.0	Washer 5-A2 ISO 7094	1.000	ST	
4	7.312-266.0	Washer 6-A2 ISO 7094	6.000	ST	



20 Vacuum motor

POS	Article no.	Description	Quantity	Unit	Remark
12	2.640-920.0	Add-on kit sound insulation	1.000	ST	
10	6.641-474.0	Cable tape 8-210	1.000	ST	
11	2.883-010.0	Carbon brush set	1.000	ST	24V550W
11	6.610-221.0	Carbon brush set	1.000	ST	240V900W
6	7.311-003.0	Hexagon nut M6 -8-A2E ISO 4032	3.000	ST	
3	5.363-195.0	Joint ring	1.000	ST	
7	6.373-670.0	Pipe clamp	3.000	ST	
2	6.339-021.0	Rubber buffer 2xM6-D20 H15	3.000	ST	
9	7.303-107.0	Screw 5x16 -10.9-P2R (K-In6Rd)	3.000	ST	
8	6.390-215.0	Soundproof hose	1.000	ST	
1	5.308-066.0	Stud bolt	3.000	ST	L 51,0MM
1	5.308-056.0	Stud bolt	3.000	ST	L61,5MM
	<b>Item text1: //1.384-151.0 / -152.0 / -251.0 / -252.0</b>				
4	6.490-036.0	Vacuum motor 24V 550W	1.000	ST	24V550W
4	6.490-135.0	Vacuum motor 220-240V	1.000	ST	240V900W
	<b>Item text1: //1.384-151.0 / -152.0 / -251.0 / -252.0</b>				
5	7.312-276.0	Washer 6 -200HV-A2E ISO7093-1	3.000	ST	

30 Transmission

POS	Description	Quantity	Unit	Remark	Foot note text
31	Individual parts	1.000	ST	AMER	
32	Individual parts	1.000	ST	ASI / CIM	
35	Pedal	1.000	ST	1.384-123.0	
33	Pedal	1.000	ST	1.384-111/121/151/152/161/211/221/251/25 2/718/-818.0	VERSION 1+2
34	Pedal	1.000	ST	VERSION 3 /1.384-111/-121/-161/-211/-221/-718/-818.0	