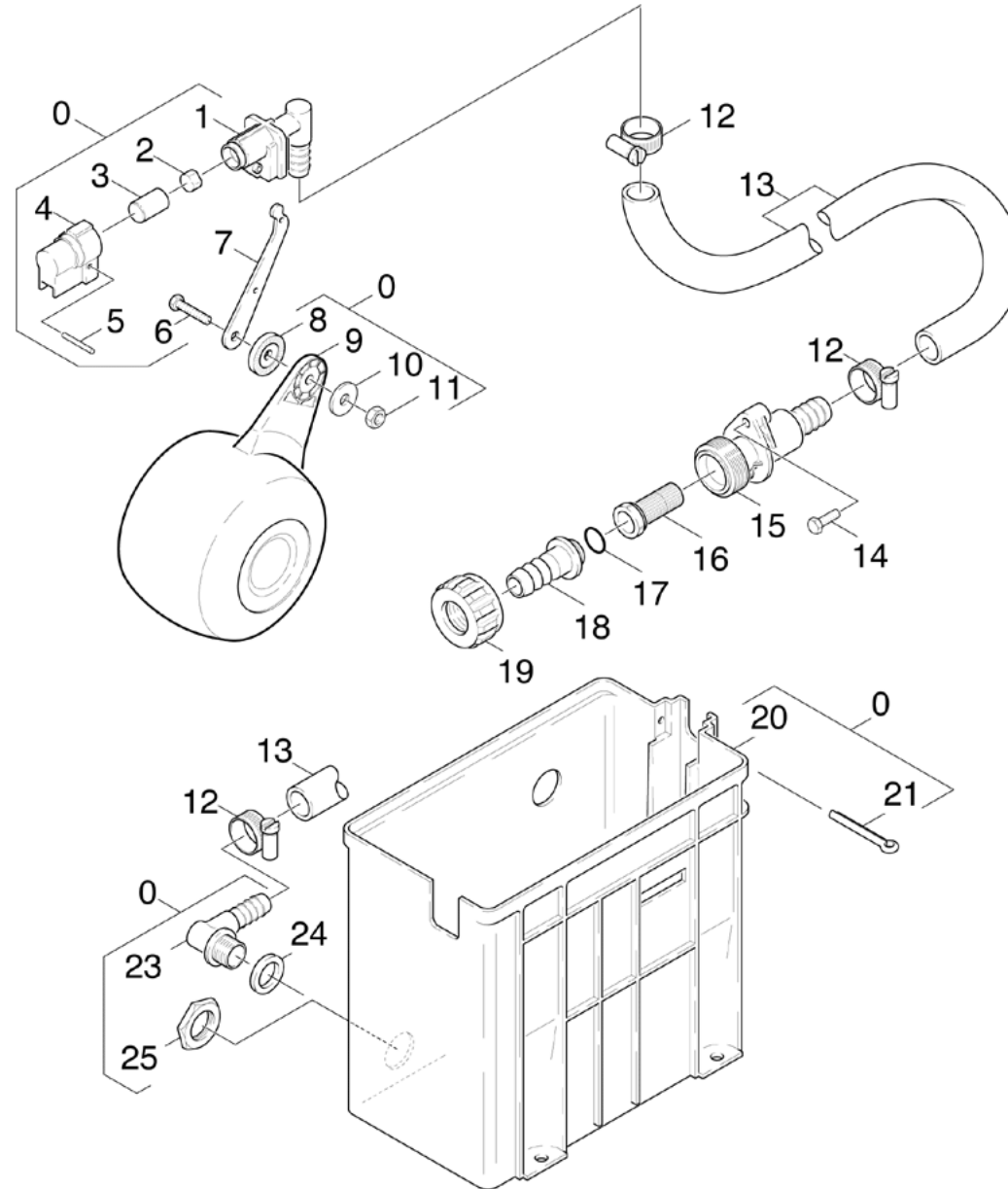


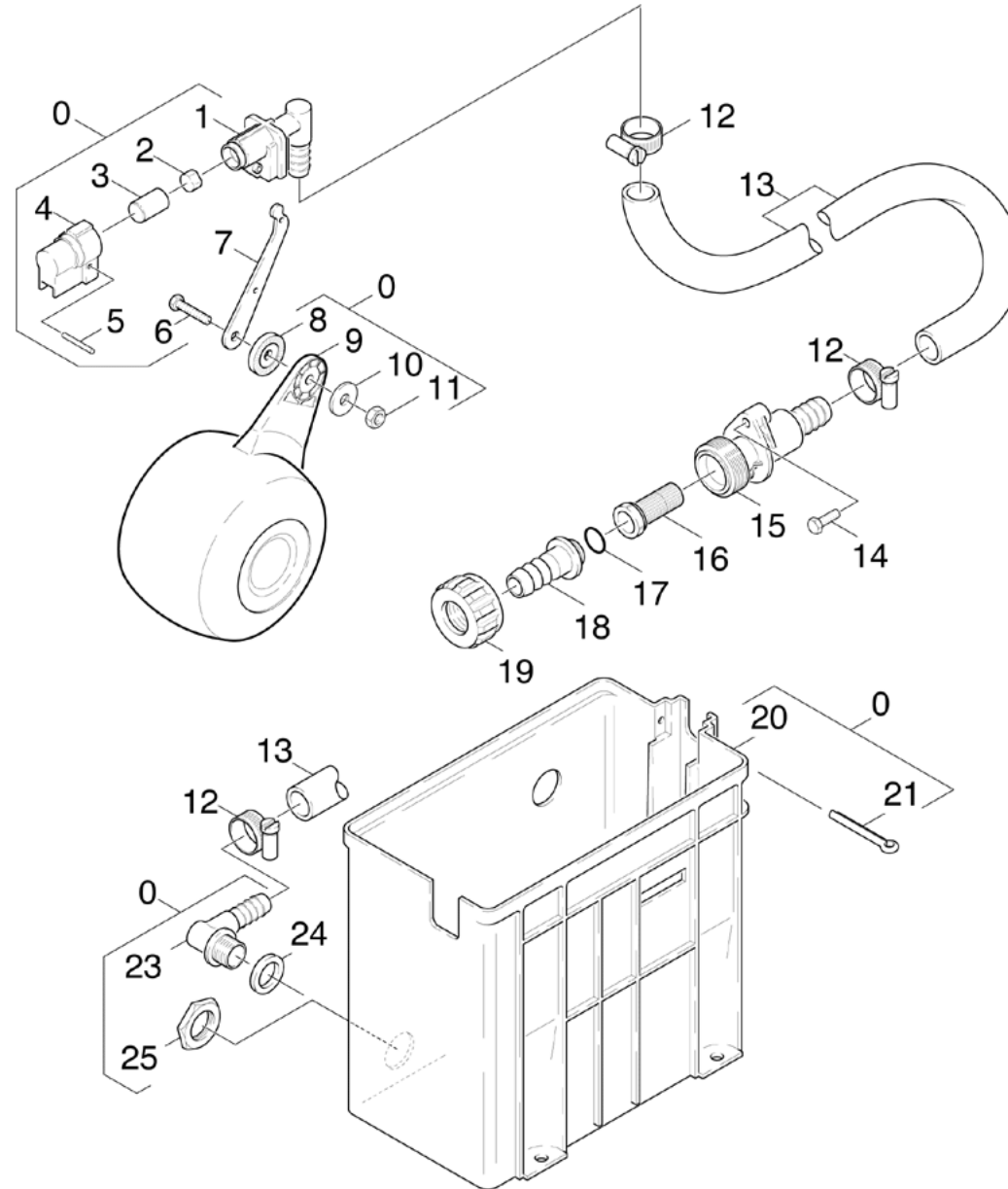
# 60 Float chest

Professional \ High pressure cleaner hotwater \ Electric motor \ HDS 801 E - 12 KW \ Spare parts list HDS 801 E \ Float chest



# 60 Float chest

Professional \ High pressure cleaner hotwater \ Electric motor \ HDS 801 E - 12 KW \ Spare parts list HDS 801 E \ Float chest



## 60 Float chest

Professional \ High pressure cleaner hotwater \ Electric motor \ HDS 801 E - 12 KW \ Spare parts list HDS 801 E \ Float chest



POS	Article no.	Description	Quantity	Unit	Foot note text
0	3.593-064.0	Float valve	1.000	ST	
1	5.587-093.0	Valve housing	1.000	ST	
2	5.364-095.0	Flat gasket	1.000	ST	
3	5.584-026.0	Valve pin	1.000	ST	
4	5.394-066.0	Protection part	1.000	ST	
5	7.316-004.0	Bolt A 3x25 -CuZn ISO 2340	1.000	ST	
6	7.306-194.0	Screw M6x20 -A2-70 (In6Rd)	1.000	ST	
7	5.481-029.0	Lever	1.000	ST	
8	5.115-158.0	Washer	1.000	ST	
9	5.585-024.0	Float	1.000	ST	
10	7.312-279.0	Washer 6-CuZn ISO 7093-1	1.000	ST	
11	7.311-422.0	Hexagon nut M 6-1.4305 ISO 10511	1.000	ST	
12	6.388-547.0	Hose clip	3.000	ST	
13	6.388-719.0	Hose DN17	1.000	M	TO ORDER AS CUT GOODS
14	6.303-174.0	Screw 6,0X20-ST-A2R	1.000	ST	
15	5.427-154.0	Manifold	1.000	ST	
16	6.414-141.0	Strainer	1.000	ST	
17	6.362-078.0	O-Ring seal 13,3x2,4	1.000	ST	
18	5.443-291.0	Hose stem	1.000	ST	
19	5.310-076.0	Nut	1.000	ST	
20	5.070-036.0	Tank	1.000	ST	
21	7.316-432.0	Cotter 4x50 -St-A2E ISO 1234	1.000	ST	
23	6.388-405.0	Angle bushing 1/2"	1.000	ST	
24	6.362-015.0	Joint ring 21X30X2	1.000	ST	
25	6.310-004.0	Hexagon nut G 1/2"	1.000	ST	