

Spare parts list

(4.580-144.0) Stop cock complete

Table of contents

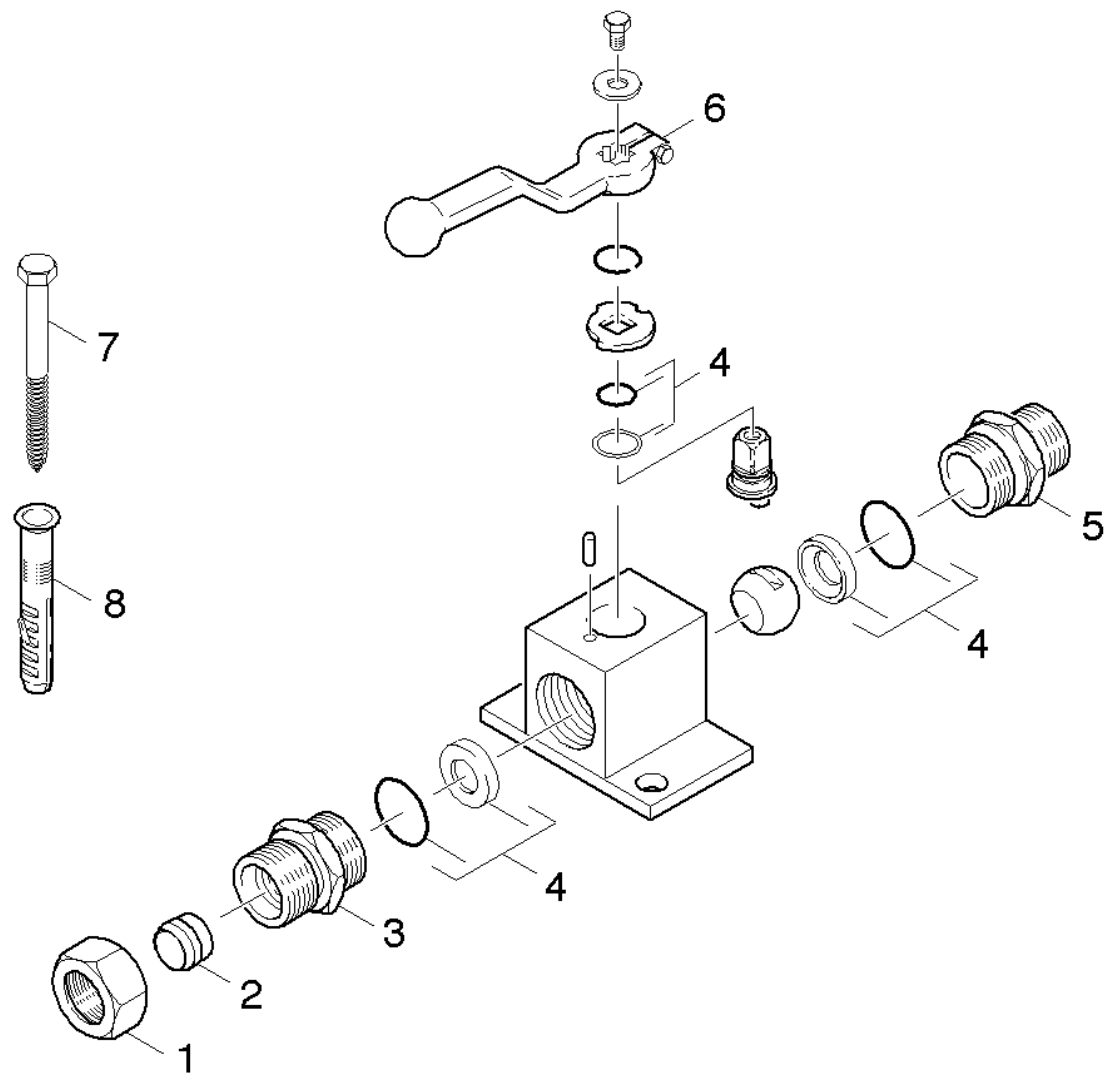
Stop cock complete (4.580-144.0)	3
6 Spare parts list stop cock (5.952-081.0)	4
10 Stop cock	5
20 Stop cock	7

Stop cock complete (4.580-144.0)

POS	Article no.	Description	Quantity	Unit
6	5.952-081.0	Spare parts list stop cock	1	PC
Item text2: 45801440				

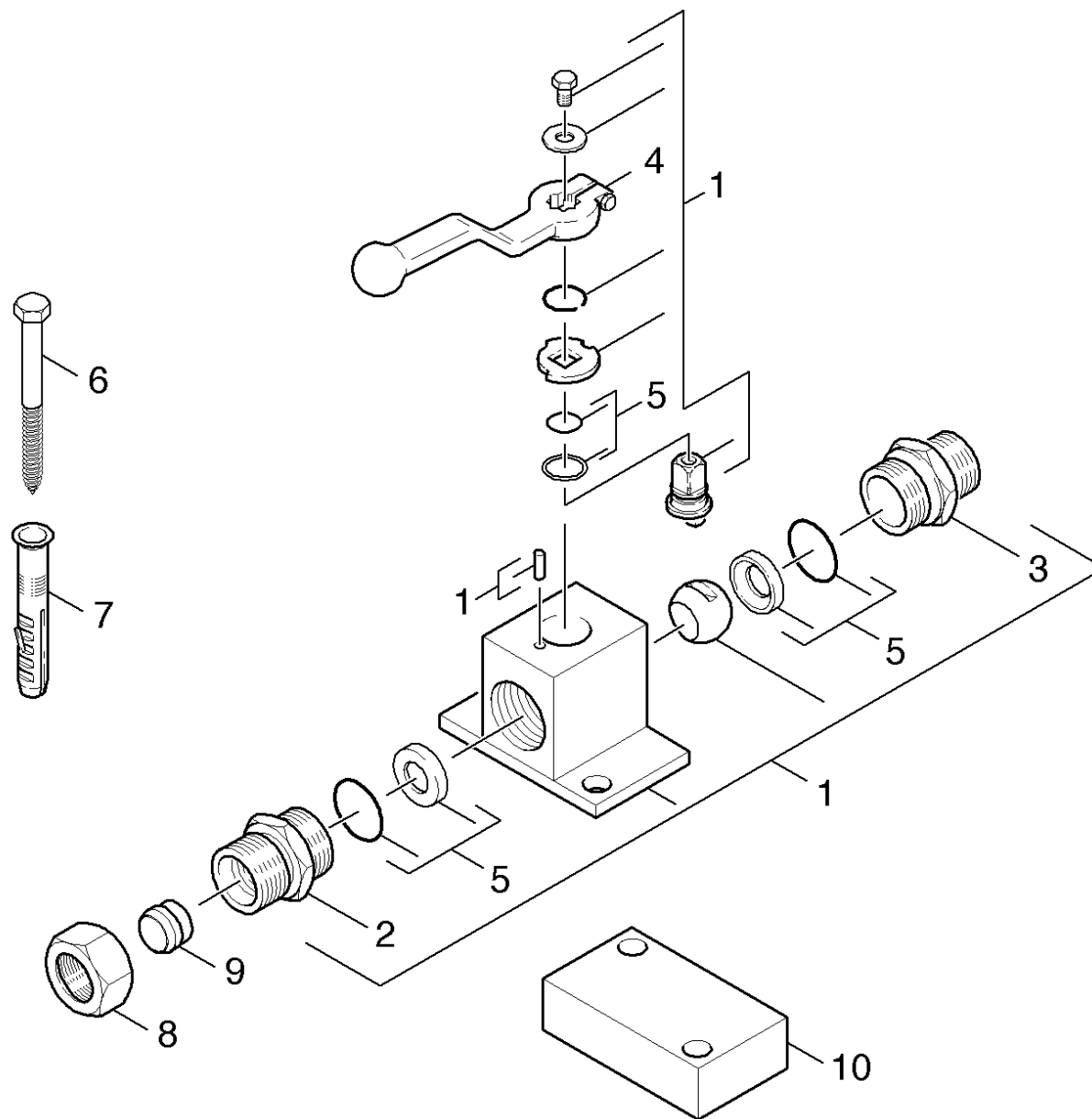
6 Spare parts list stop cock (5.952-081.0)

POS	Description	Quantity	Unit	Remark
10	Stop cock	1	PC	4.580-129.0
20	Stop cock	1	PC	4.580-144.0



10 Stop cock

POS	Article no.	Description	Quantity	Unit	Remark
1	6.386-344.0	Union nut A 12-S	1	PC	
2	6.386-345.0	Cutting ring DPR12-L/S	1	PC	
3	6.412-766.0	Connecting piece -M20X1,5	1	PC	M20X1,5
4	6.412-769.0	Set of gaskets	1	PC	
5	6.412-094.0	Connecting piece M22X1,5	1	PC	
6	6.412-768.0	Lever ball valve	1	PC	
7	7.303-172.0	Wood screw 8x100-St-A2E DIN 571	2	PC	
8	6.373-351.0	Dowel D10 x 100	2	PC	



20 Stop cock

POS	Article no.	Description	Quantity	Unit	Remark
1	6.412-444.0	Stop cock DN10	1	PC	
2	6.412-449.0	Connecting piece	1	PC	M24X1,5
3	6.412-094.0	Connecting piece M22X1,5	1	PC	
4	6.412-768.0	Lever ball valve	1	PC	
5	6.412-769.0	Set of gaskets	1	PC	
6	7.303-172.0	Wood screw 8x100-St-A2E DIN 571	2	PC	
7	6.373-351.0	Dowel D10 x 100	2	PC	
8	6.386-423.0	Union nut A 16-S-ST-A3K DIN 3870	1	PC	
9	6.386-357.0	Cutting ring DPR16-S-ST-A3K DIN 3861	1	PC	
10	5.002-960.0	Plate	1	PC	