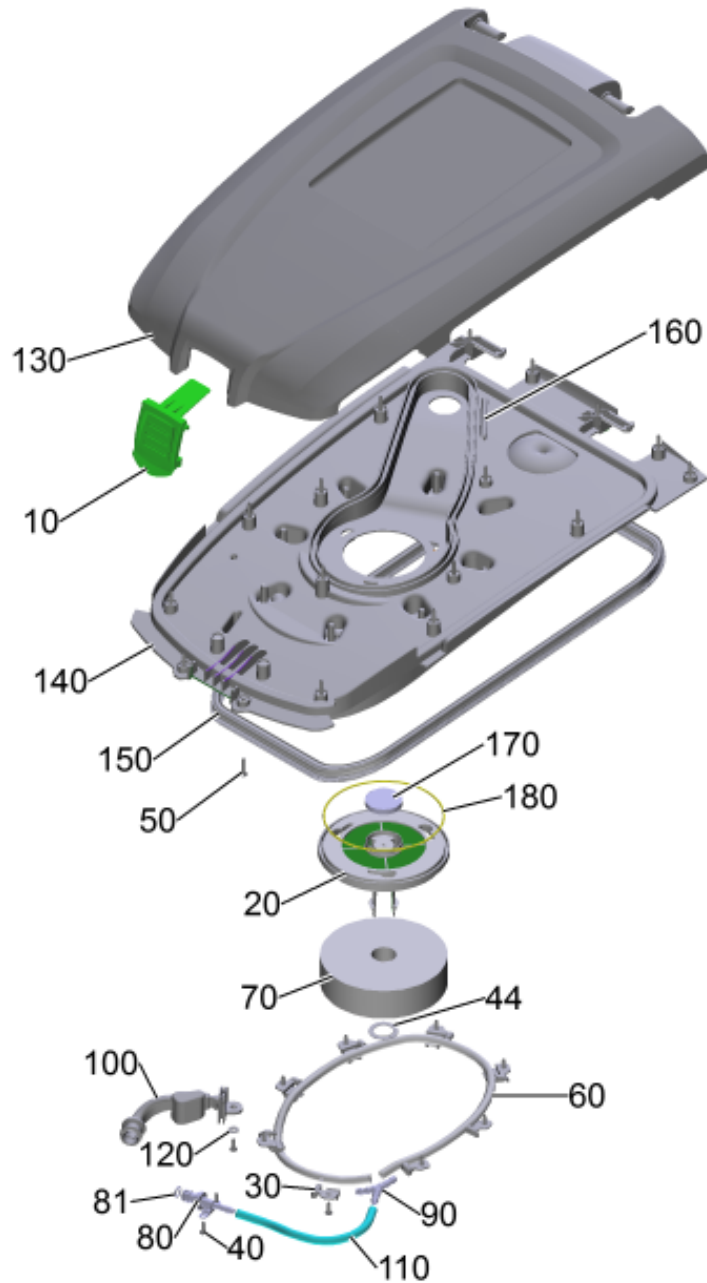


110 Cover tank flushing system complete (4.035-386.7)

Professional \ Floor cleaner \ Walk behind \ B 80 W Bp \ B 80 W Bp \ Basic machinery B80 W \ Waste water tank complete B80 \ Cover tank flushing system complete



110 Cover tank flushing system complete (4.035-386.7)

Professional \ Floor cleaner \ Walk behind \ B 80 W Bp \ B 80 W Bp \ Basic machinery B80 W \ Waste water tank complete B80 \ Cover tank flushing system complete



POS	Article no.	Description	Quantity	Unit	Foot note text
10	5.036-213.0	Cover plate locking part	1	PC	
100	5.036-949.0	Protecting cap hose coupling yellow	1	PC	
170	5.035-835.0	Plug vacuum channel 8mm	1	PC	
160	6.273-196.0	Seal string cellular rubber	1	m	ORDER ACCORDING TO CONSUMPTION
150	6.366-058.0	Sealing profile	1	m	TO ORDER AS CUT GOODS
140	5.036-066.0	Cover bottom part foamed B60-80-120	1	PC	
130	5.035-561.0	Cap of a tank top part B60-80-120	1	PC	
120	7.312-278.0	Washer 5-200HV-A2E ISO7093-1	1	PC	
110	6.390-509.0	Hose PVC	1	m	TO ORDER AS CUT GOODS
90	6.388-761.0	Y-Bushing 8	1	PC	
20	4.035-490.0	Float holder replacement	1	PC	
81	6.362-170.0	O-Ring seal 11,3 X 2,4-NBR 70	1	PC	
80	5.035-677.0	Hose connection piece	1	PC	
70	5.035-787.0	Float	1	PC	
60	5.035-457.0	Hose	1	PC	
44	5.035-834.0	Washer D40	1	PC	
180	6.273-037.0	Seal string cellular rubber 3	1	m	TO ORDER AS CUT GOODS
30	5.035-660.0	Spraying nozzle convex	8	PC	
50	7.303-107.0	Screw 5x16 -10.9-P2R (K-In6Rd)	11	PC	
40	7.303-109.0	Screw 5x25 -10.9-R2R (In6Rd)	17	PC	