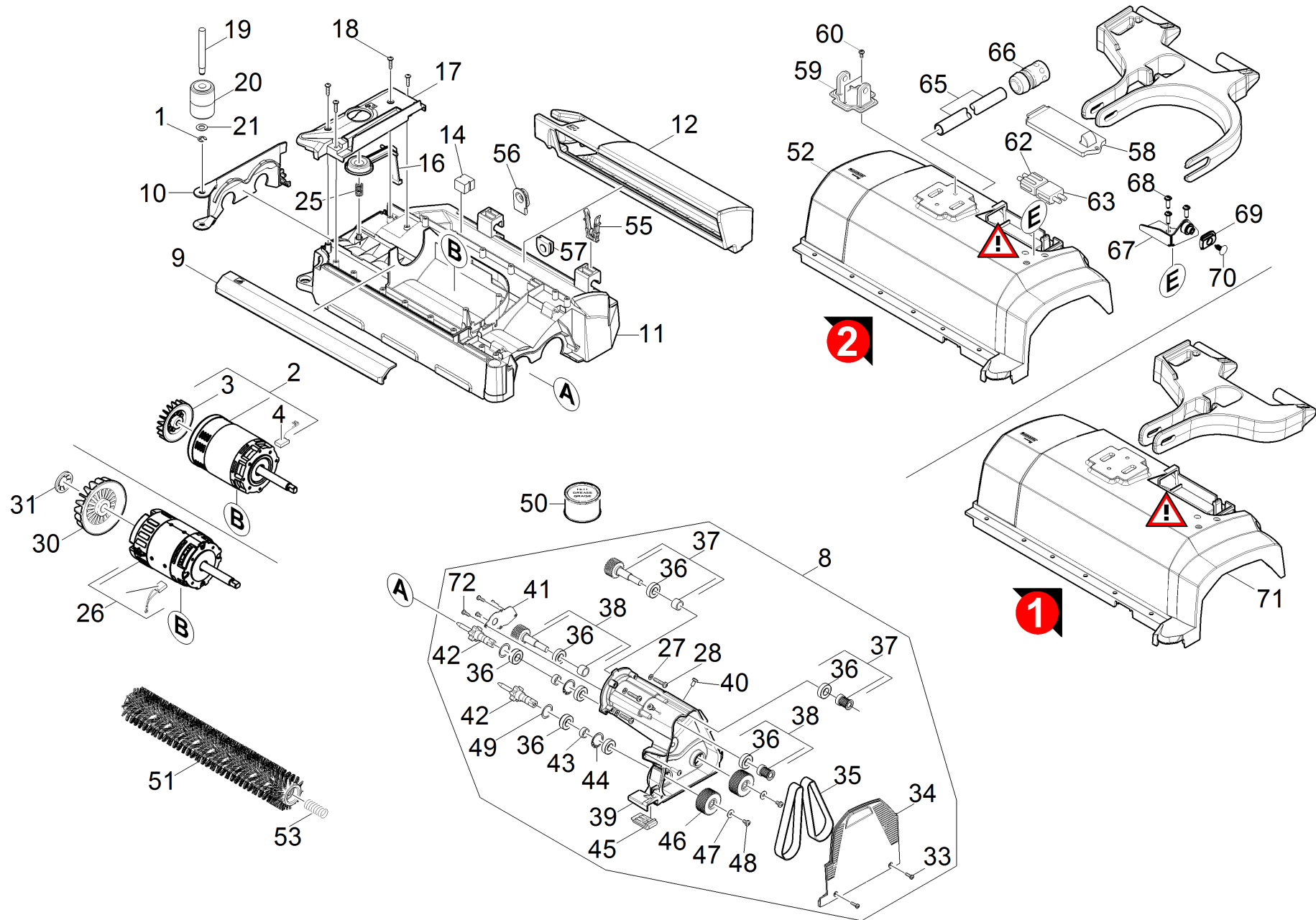


10 Power brush counter rotation BR

Professional \ Floor cleaner \ Walk behind \ B 40 \ Brush-head R 55 W \ Brush-head R55 W \ Power brush counter rotation BR



10 Power brush counter rotation BR

Professional \ Floor cleaner \ Walk behind \ B 40 \ Brush-head R 55 W \ Brush-head R55 W \ Power brush counter rotation BR



POS	Article no.	Description	Quantity	Unit	Remark	Foot note text
1	7.343-300.0	Lock washer 7-A2 DIN 6799	1.000	ST		
2	4.035-428.0	Direct current motor replacement	1.000	ST	Hengye/24V	
3	6.610-027.0	Blower wheel only for replacement Hengye	1.000	ST	Hengye	
4	6.610-026.0	Carbon brush set	1.000	ST	Hengye	
8	4.035-004.0	Gear complete counter rotation	1.000	ST		
9	5.035-403.0	Strip water distributor R 55	1.000	ST		
10	5.035-393.0	Brushes retainer	1.000	ST		
11	5.035-389.0	Housing bottom part R 55	1.000	ST		
12	5.035-399.0	Sweep tank R 55	1.000	ST		
14	5.035-447.0	Plug	1.000	ST		
16	5.035-458.0	Brushes locking part	1.000	ST		
17	5.035-405.0	Housing top part locking part	1.000	ST		
18	7.303-113.0	Screw 6x25 -10.9-R2R (In6Rd)	8.000	ST		
19	5.035-394.0	Bolt deflector roll	1.000	ST		
20	5.035-395.0	Deflector roll	1.000	ST		
21	7.312-066.0	Washer 10 -A2 ISO 7090	1.000	ST		
25	6.330-450.0	Pressure spring	1.000	ST		
26	4.035-428.0	Direct current motor replacement	1.000	ST	ATAS/24V	
27	7.312-026.0	Washer 6 -A2 ISO 7090	4.000	ST		
28	7.306-196.0	Screw M 6x30-A2-70 (IN6RD)	4.000	ST		
30	6.613-025.0	Blower wheel	1.000	ST	ATAS	
31	6.343-149.0	Quick-fastener	1.000	ST		
33	7.303-039.0	Screw M5x16 -St-P2R (In6Rd)	2.000	ST		
34	5.035-385.0	Cover gear	1.000	ST		
35	4.035-005.0	Toothed belt replacement	2.000	ST		
36	7.401-115.0	Ball bearing 6002-2RS -WÄELZLAGST DIN 62	6.000	ST		
37	4.035-380.0	Shaft gear left	1.000	ST		
38	4.035-381.0	Shaft gear right	1.000	ST		
39	5.035-384.0	Carrier motor worked R	1.000	ST		
40	7.306-089.0	Screw M6x12 -8.8-R2R (In6Rd)	1.000	ST		
41	5.035-684.0	Covering cap gear	1.000	ST		
42	5.101-104.0	Driveshaft	2.000	ST		

10 Power brush counter rotation BR

Professional \ Floor cleaner \ Walk behind \ B 40 \ Brush-head R 55 W \ Brush-head R55 W \ Power brush counter rotation BR



POS	Article no.	Description	Quantity	Unit	Remark	Foot note text
43	5.110-686.0	Spacer sleeve	2.000	ST		
44	7.343-231.0	Locking ring 32x1,2 -St-ph DIN 472	2.000	ST		
45	5.056-010.0	Rocker BR-VS	1.000	ST		
46	5.625-507.0	Belt pulley 56Z	2.000	ST		
47	7.312-276.0	Washer 6 -200HV-A2E ISO7093-1	2.000	ST		
48	6.304-180.0	Screw M6X12-A2/70-ISO7045 (IN6RD)	2.000	ST		
49	6.363-469.0	Joint ring stainless steel Nilos 6002	2.000	ST		
51	4.762-412.0	Roller brush complete black BR 55/40	2.000	ST		
51	4.762-393.0	Roller brush complete red BR 55/40	2.000	ST		
51	4.762-411.0	Roller brush complete green BR 55/40	2.000	ST		
51	4.762-410.0	Roller brush complete orange BR 55/40	2.000	ST		
51	4.762-409.0	Roller brush complete white BR 55/40	2.000	ST		
52	5.035-390.0	Housing top part R 55	1.000	ST		
53	5.332-114.0	Helical spring	1.000	ST		
55	5.035-424.0	Snap-fit	2.000	ST		
56	5.035-448.0	Wire protecting sleeve	1.000	ST		
57	6.648-064.0	Cable bushing	1.000	ST		
58	5.035-386.0	Cover electric box	1.000	ST		
59	5.035-604.0	Suspension seal brush-head BD	1.000	ST		
60	7.303-038.0	Screw M5x12 -St-P2R (In6Rd)	2.000	ST		
62	6.646-034.0	Set plug complete rot, 75A , Q-6mm ²	1.000	ST		
63	6.646-033.0	Set plug complete blau , 75A , Q-6mm ²	1.000	ST		
65	6.390-892.0	Spiral hose NW12	1.000	M		TO ORDER AS CUT GOODS
66	2.645-191.0	Hose coupling entry Universal	1.000	ST		
67	5.035-782.0	Suspension brush-head R	1.000	ST		VERSION 2
68	7.303-112.0	Screw 6x20 -10.9-R2R (In6Rd)	3.000	ST		VERSION 2
69	5.035-673.0	Sliding shoe	1.000	ST		VERSION 2
70	6.343-261.0	Quick-fastener	1.000	ST		VERSION 2
71	2.882-737.0	Conversion kit R55-Kopf B40	1.000	ST	R55	VERSION 1
72	7.303-038.0	Screw M5x12 -St-P2R (In6Rd)	4.000	ST		