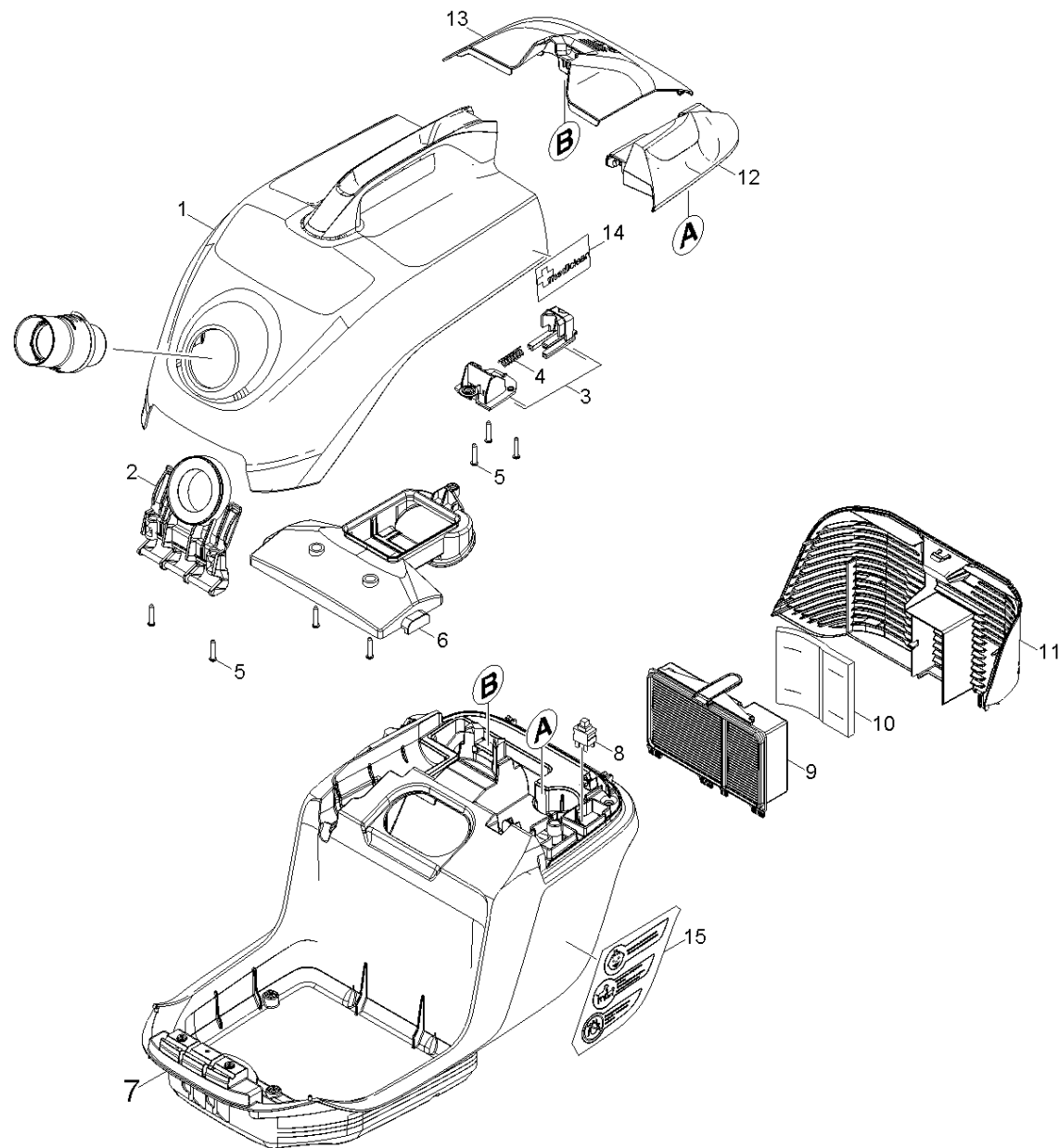


10 Cover

Overview technical documents/Home & Garden/Vacuum cleaner/Dry vacuum cleaner/DS 6.000 Mediclean *RU (1.195-202.0)/Spare parts list DS 6.000 Mediclean/10 Cover



10 Cover

Overview technical documents/Home & Garden/Vacuum cleaner/Dry vacuum cleaner/DS 6.000 Mediclean *RU (1.195-202.0)/Spare parts list DS 6.000 Mediclean/10 Cover

ET/VT (spare/wear parts)	Pos	Material #	Name	Qty.	Unit	var. information
X	1	4.195-230.0	Front flap for replacement DS 6.000	1.000	ST	
X-X	2	5.195-367.0	Stop suction hose	1.000	ST	
X-X	3	4.195-224.0	Slider complete for replacement	1.000	ST	
	4	5.332-169.0	Pressure spring	1.000	ST	
	5	7.303-096.0	Screw 4x22 -ST-10.9-R2R (IN6RD)	7.000	ST	
	6	5.195-368.0	Air duct	1.000	ST	
	7	4.195-232.0	Housing top part for replacement DS 6.00	1.000	ST	
X-X	8	6.630-650.0	Main switch	1.000	ST	
X-X	9	2.860-273.0	Filter HEPA 13 DS 5.800/6.000"	1.000	ST	
X	10	6.195-241.0	Insulation mat exhaust air flap DS 6.000	1.000	ST	
X	11	4.195-236.0	Air exhaust louver for replacement DS 6.	1.000	ST	
	12	4.195-233.0	Pushbutton on off DS 6.000	1.000	ST	
X	13	4.195-234.0	Accessories flap for replacement DS 6.00	1.000	ST	
	14	5.195-393.0	Label Mediclean	1.000	ST	
	15	5.195-408.0	Label Seite Mediclean engl.	1.000	ST	/*EU
	15	5.195-392.0	Label side Mediclean	1.000	ST	/*RU