

## **Spare parts list**

(1.398-802.0) K 7.91MD+T300 \*EU

## Table of contents

---

K 7.91MD+T300 *EU (1.398-802.0)	4
1000 Spare parts list K7.91 (5.962-118.0)	5
10 Housing	6
20 Pump set	8
21 Cylinder head	9
2 Nozzle insert only for replacement (4.769-034.0)	11
4 Valve pin complete (4.584-022.0)	13
8 Spare part set chemistry (2.883-862.0)	15
9 Drain plug only for replacement (4.132-007.0)	17
10 Valve (3 Stück) (2.884-916.0)	19
13 Joining piece only for replacement (4.030-125.0)	21
22 Thrust guidance	23
3 Moulded part complete only for replaceme (4.030-123.0)	25
30 Motor	27
40 Accessories	29
41 Hand trigger gun	30
42 Hand trigger gun	32
G 180 Q Trigger gun Quick Connect (2.642-889.0)	34
43 Hand trigger gun	36
G 180 Q Trigger gun Quick Connect (2.642-889.0)	38
2 H 9 Q high pressure hose Quick Connect (2.641-721.0)	40
2 High pressure hose 16MPa/12 60°C QC B (6.391-785.0)	42
2 High pressure hose 16MPa/12 60°C QC B (6.391-785.0)	44
44 Jet pipe	46
2 VP 145 Vario Power Jet (packaged) (2.642-725.0)	48
2 VPS K5 033 (4.760-524.0)	50
4 DB 145 Dirt Blaster (packaged) (2.642-728.0)	52
4 Dirt blaster 0295 St (4.764-211.0)	54
4 Dirt blaster 033 St (4.764-213.0)	56
45 Surface cleaner	57
23 Spare parts nozzles T-Racer (2.643-338.0)	59
23 Spare parts nozzles T-Racer (2.643-338.0)	62
46 Surface cleaner	65
1 Single-step jet pipe extension (2.643-240.0)	67
7 Spare parts nozzles T-Racer (2.643-338.0)	69
47 Surface cleaner	72
1 Single-step jet pipe extension (2.643-240.0)	74
7 Spare parts nozzles T-Racer (2.643-338.0)	76

## Table of contents

---

7 Spare parts nozzles T-Racer (2.643-338.0)	79
50 Electric box	82
14 Electric box complete (4.800-852.0)	84

K 7.91MD+T300 \*EU (1.398-802.0)

---

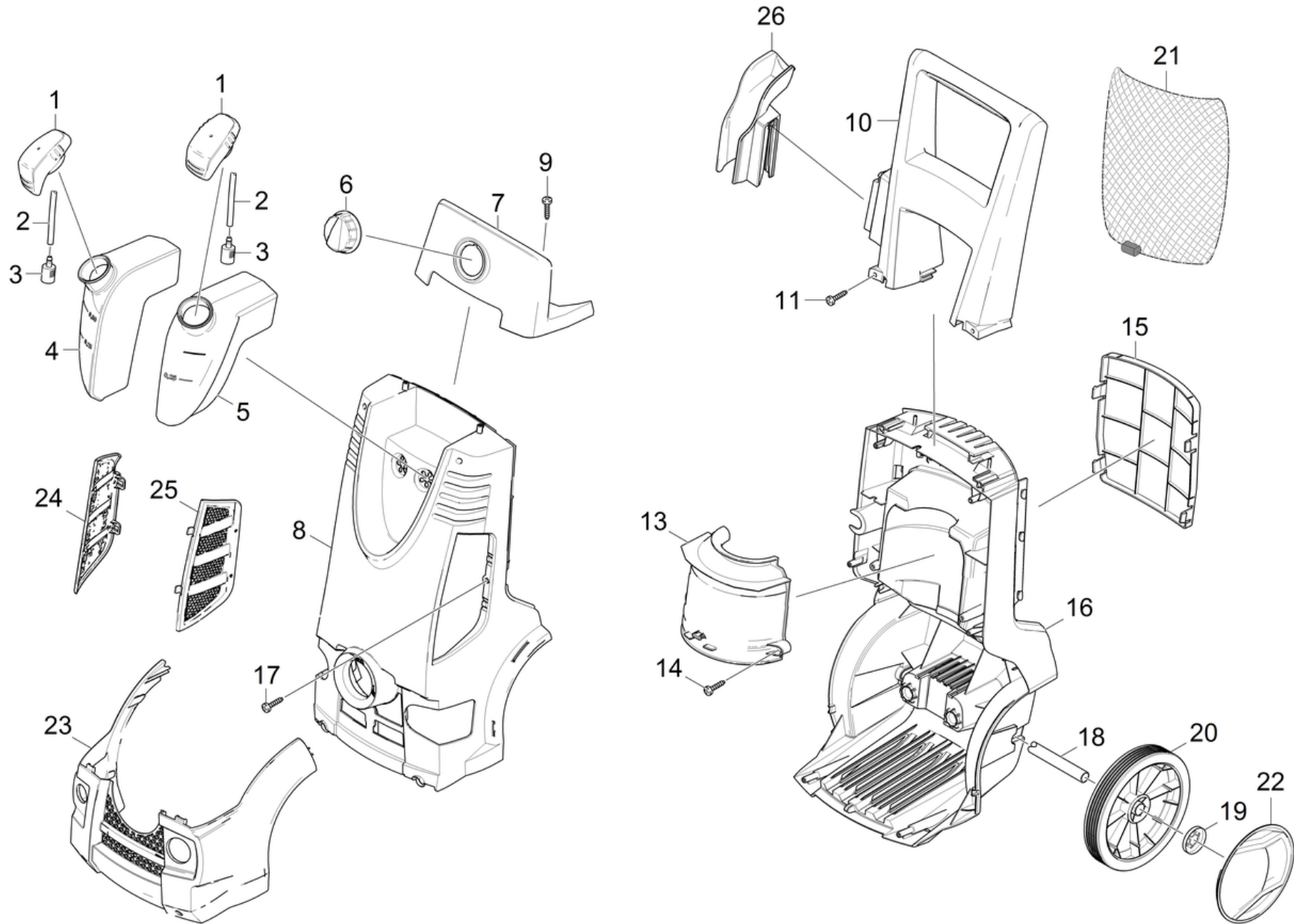
POS	Article no.	Description	Quantity	Unit
1000	5.962-118.0	Spare parts list K7.91	1.000	ST
<b>Item text2:</b> 3DD39390A7DC4FD8E1000000C34F56CF13961000				

---

1000 Spare parts list K7.91 (5.962-118.0)

---

<b>POS</b>	<b>Description</b>	<b>Quantity</b>	<b>Unit</b>
40	Accessories	1.000	ST
50	Electric box	1.000	ST
10	Housing	1.000	ST
30	Motor	1.000	ST
20	Pump set	1.000	ST



## 10 Housing

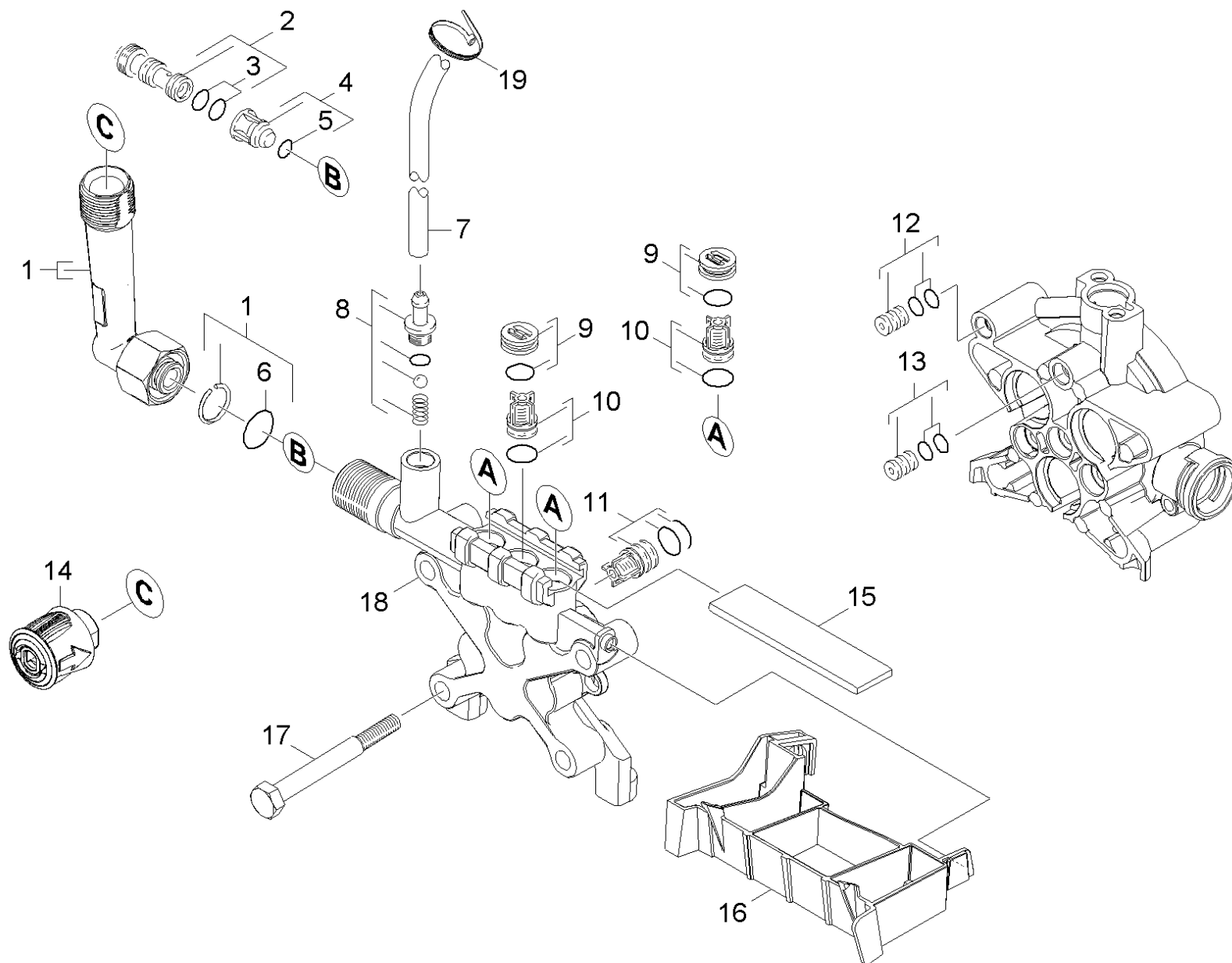
POS	Article no.	Description	Quantity	Unit	Foot note text
21	6.276-045.0	Accessories mains	1.000	ST	
13	5.692-085.0	Air circulation K5.91M	1.000	ST	
18	5.105-625.0	Axle L=287	1.000	ST	
23	5.044-862.0	Bumper	1.000	ST	
1	9.048-080.0	Cap of a tank	2.000	ST	
16	5.032-943.0	Chassis K5.91M	1.000	ST	
15	5.032-949.0	Cover chassis	1.000	ST	
8	5.033-319.0	Cover neutrally K7.91	1.000	ST	
3	5.731-652.0	Filter with weight	2.000	ST	
10	5.321-803.0	Handhold K5.91M	1.000	ST	
26	5.321-904.0	Holder pistol	1.000	ST	NEW VERSION
2	6.388-216.0	Hose DN 5	1.000	M	TO ORDER AS CUT GOODS
7	5.321-806.0	Label silver	1.000	ST	
19	6.343-168.0	Lock washer	2.000	ST	
6	4.580-000.0	Proportioning valve chemistry	1.000	ST	
22	5.131-083.0	Screen wheel K 7.91	2.000	ST	
17	6.303-150.0	Screw 4,2x 22	6.000	ST	
9	7.303-129.0	Screw 4x16 -10.9-R2R (K-In6Rd)	2.000	ST	
14	6.303-200.0	Screw 5x25-IN6RD	2.000	ST	
11	9.086-157.0	Screw 5x30	2.000	ST	
25	5.044-861.0	Side part ventilation left	1.000	ST	
24	5.044-860.0	Side part ventilation right	1.000	ST	
4	5.071-176.0	Tank left K5.91M	1.000	ST	
5	5.071-175.0	Tank right K5.91M	1.000	ST	
20	6.435-766.0	Wheel D180	2.000	ST	

## 20 Pump set

---

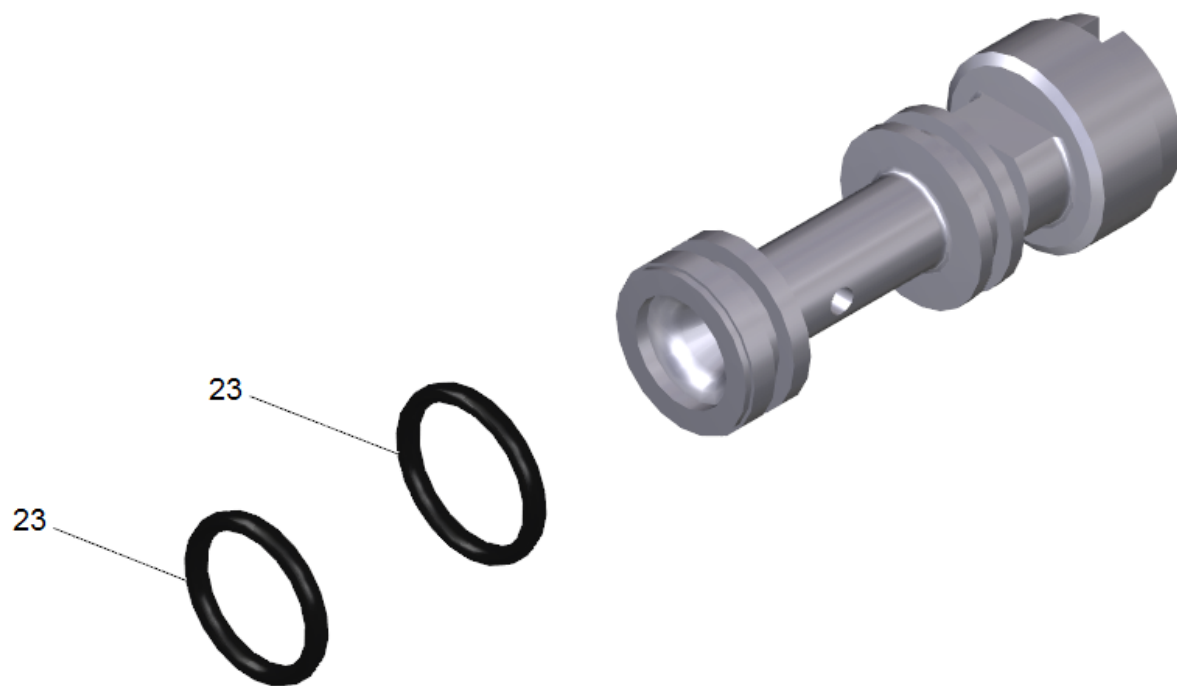
<b>POS</b>	<b>Description</b>	<b>Quantity</b>	<b>Unit</b>
21	Cylinder head	1.000	ST
22	Thrust guidance	1.000	ST





## 21 Cylinder head

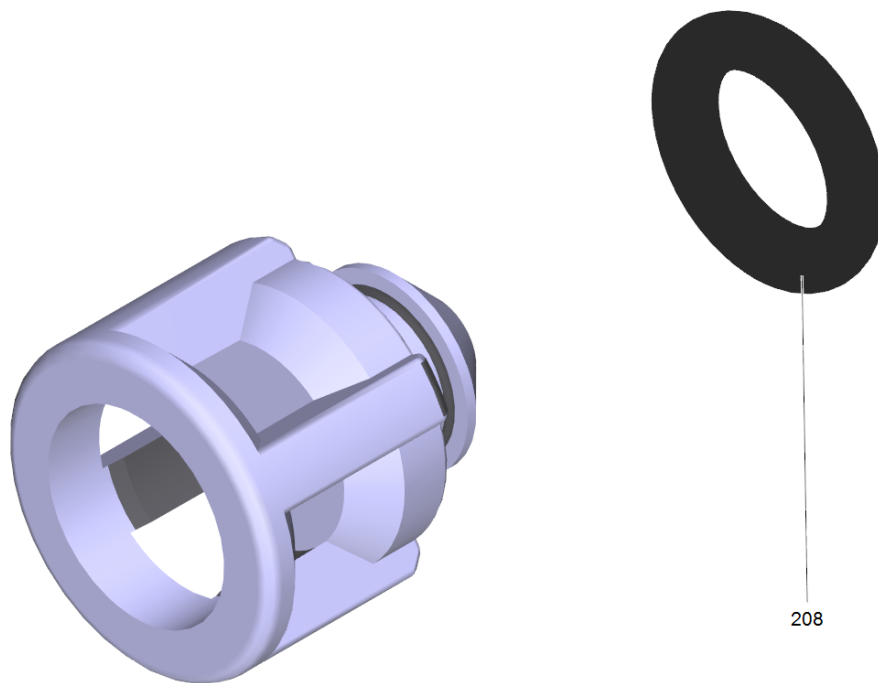
POS	Article no.	Description	Quantity	Unit	Foot note text
19	6.641-463.0	Cable tape	1.000	ST	
18	5.550-340.0	Cylinder head K 7.91 M	1.000	ST	
9	4.132-007.0	Drain plug only for replacement	3.000	ST	
17	7.304-098.0	Hexagonal head screw M8x80-8.8-A2E ISO	4.000	ST	
1	4.025-910.0	High-pressure outlet complete K7.91	1.000	ST	
14	4.470-041.0	High pressure quick-fitting pipe union A	1.000	ST	
7	6.390-426.0	Hose DN 5	1.000	M	TO ORDER AS CUT GOODS
13	4.030-125.0	Joining piece only for replacement	1.000	ST	
2	4.769-034.0	Nozzle insert only for replacement	1.000	ST	
6	6.362-151.0	O-Ring d. 10 x 2 NBR 70	1.000	ST	
5	6.363-613.0	O-Ring seal 4 x 2 -NBR90	1.000	ST	
3	6.362-384.0	O-Ring seal 9x1,5 - NBR 70	2.000	ST	
15	5.003-062.0	Plate	1.000	ST	
8	2.883-862.0	Spare part set chemistry	1.000	ST	
16	5.069-205.0	Support holder	1.000	ST	
12	4.030-070.0	Throttle complete	1.000	ST	
10	2.884-916.0	Valve (3 Stück)	1.000	ST	3 QTY.
4	4.584-022.0	Valve pin complete	1.000	ST	
11	2.885-006.0	Valve set (3 Stück)	1.000	ST	SET WITH 3 PIECES



2 Nozzle insert only for replacement (4.769-034.0)

---

<b>POS</b>	<b>Article no.</b>	<b>Description</b>	<b>Quantity</b>	<b>Unit</b>
23	6.362-384.0	O-Ring seal 9x1,5 - NBR 70	2.000	ST

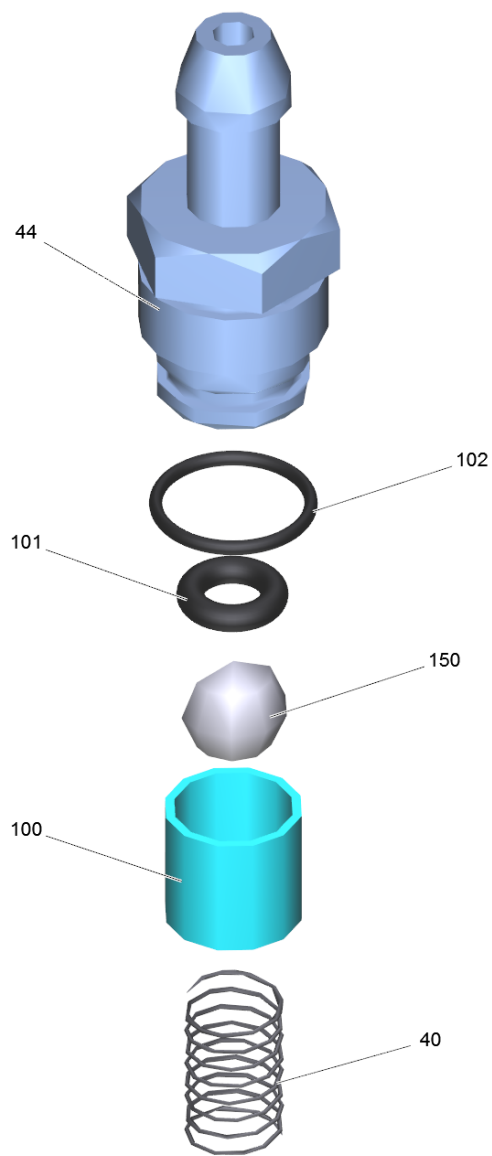


208

4 Valve pin complete (4.584-022.0)

---

<b>POS</b>	<b>Article no.</b>	<b>Description</b>	<b>Quantity</b>	<b>Unit</b>
208	6.363-613.0	O-Ring seal 4 x 2 -NBR90	1.000	ST

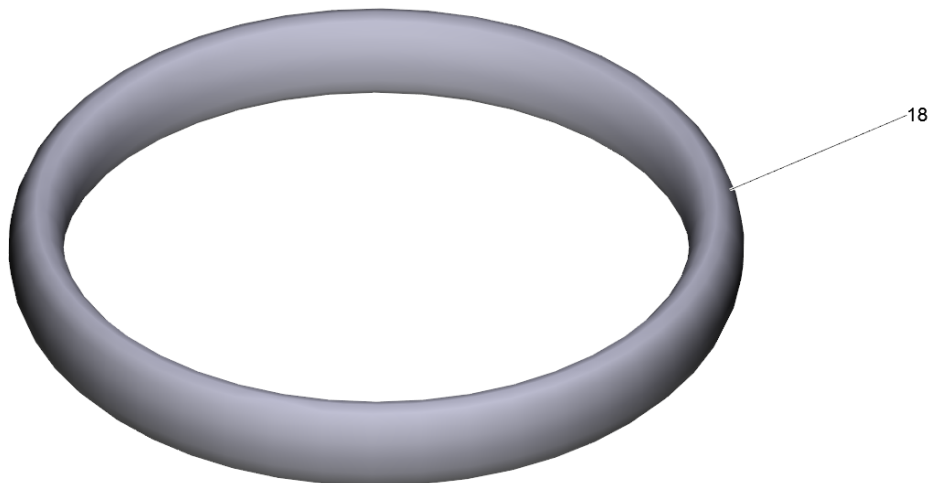
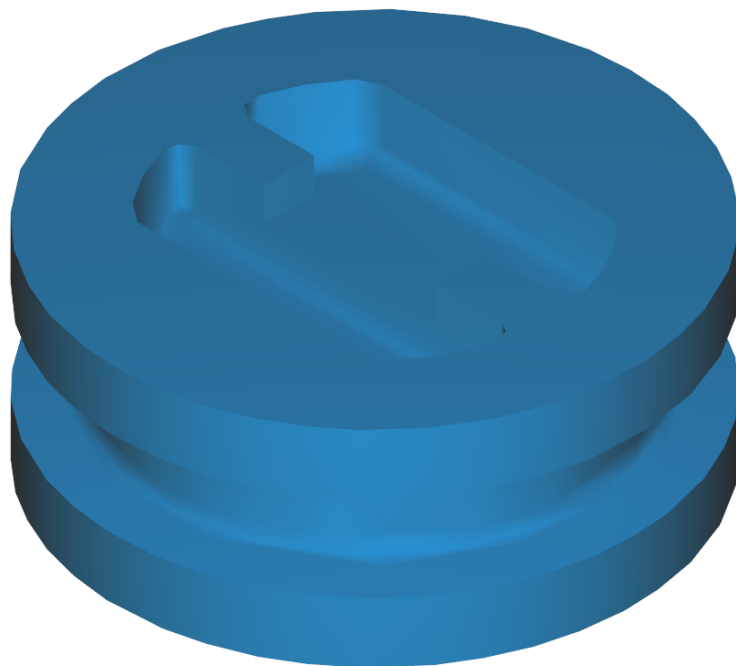


## 8 Spare part set chemistry (2.883-862.0)

---

<b>POS</b>	<b>Article no.</b>	<b>Description</b>	<b>Quantity</b>	<b>Unit</b>
130	6.590-355.0	Bag PE 130x140 mm neutral	1.000	ST
40	5.332-258.0	Helical spring	1.000	ST
110	6.376-036.0	Label spare parts neutrally 65x55 MM	1.000	ZST
44	5.443-448.0	Nipple chemistry	1.000	ST
101	6.363-597.0	O-Ring seal 5,28 x 1,78	1.000	ST
102	6.362-451.0	O-Ring seal 8,0 x 1,0	1.000	ST
100	5.110-714.0	Sleeve	1.000	ST
150	7.401-908.0	Sphere 7 G300 -1.4301 DIN 5401	1.000	ST

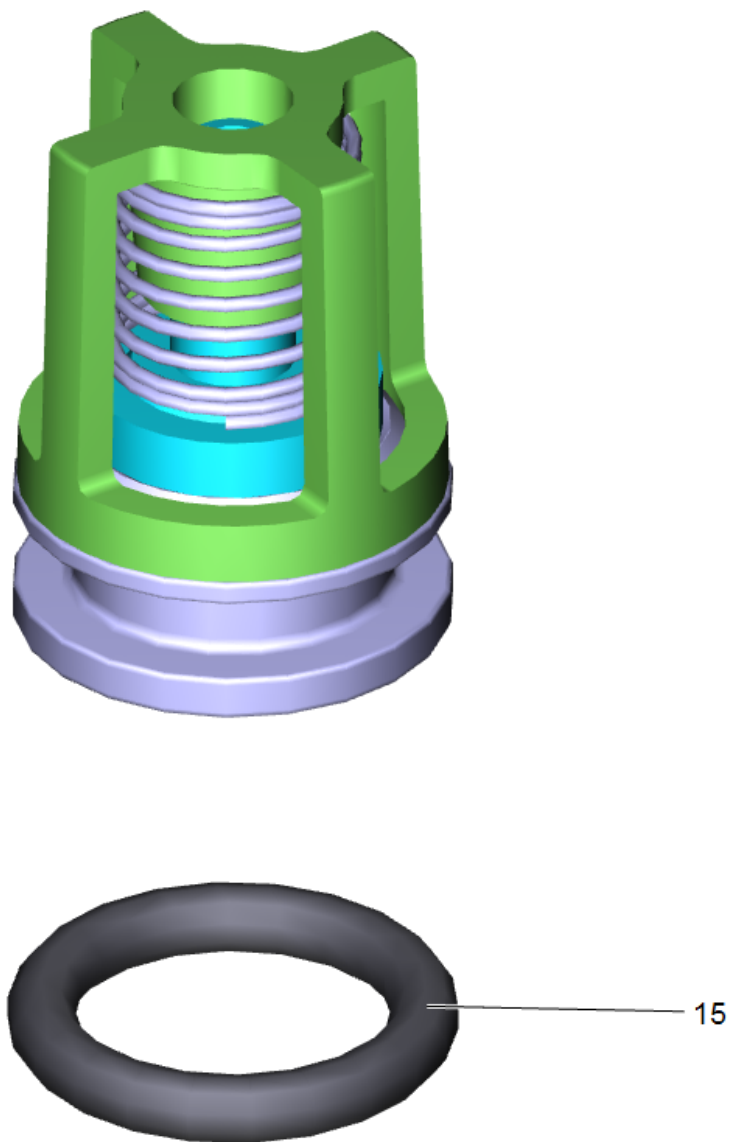




9 Drain plug only for replacement (4.132-007.0)

---

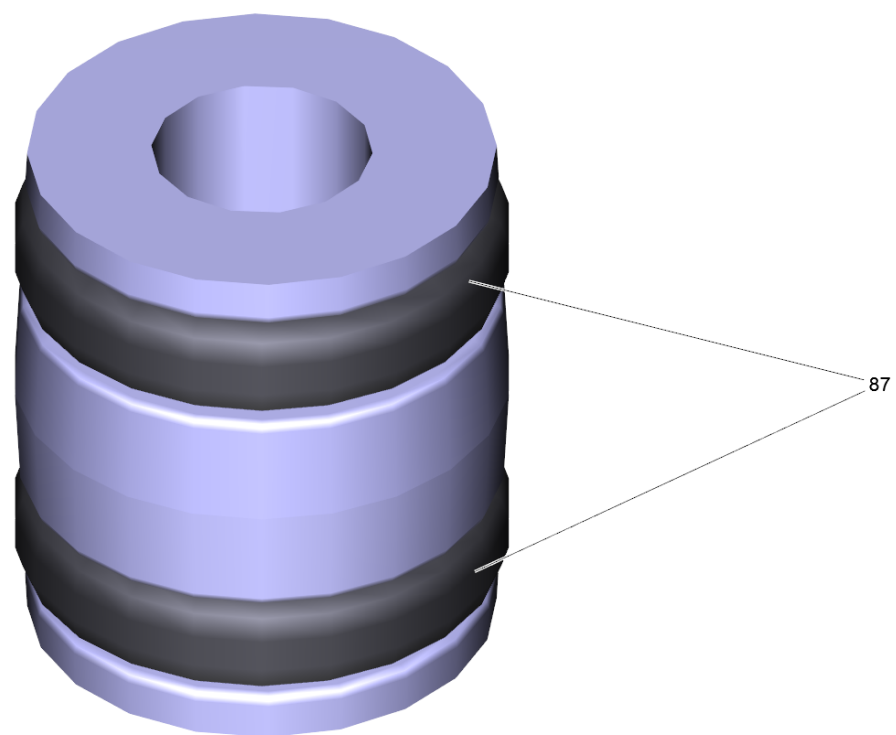
<b>POS</b>	<b>Article no.</b>	<b>Description</b>	<b>Quantity</b>	<b>Unit</b>
18	6.362-458.0	O-Ring seal 11,0x2,0-NBR 70	1.000	ST



10 Valve (3 Stück) (2.884-916.0)

---

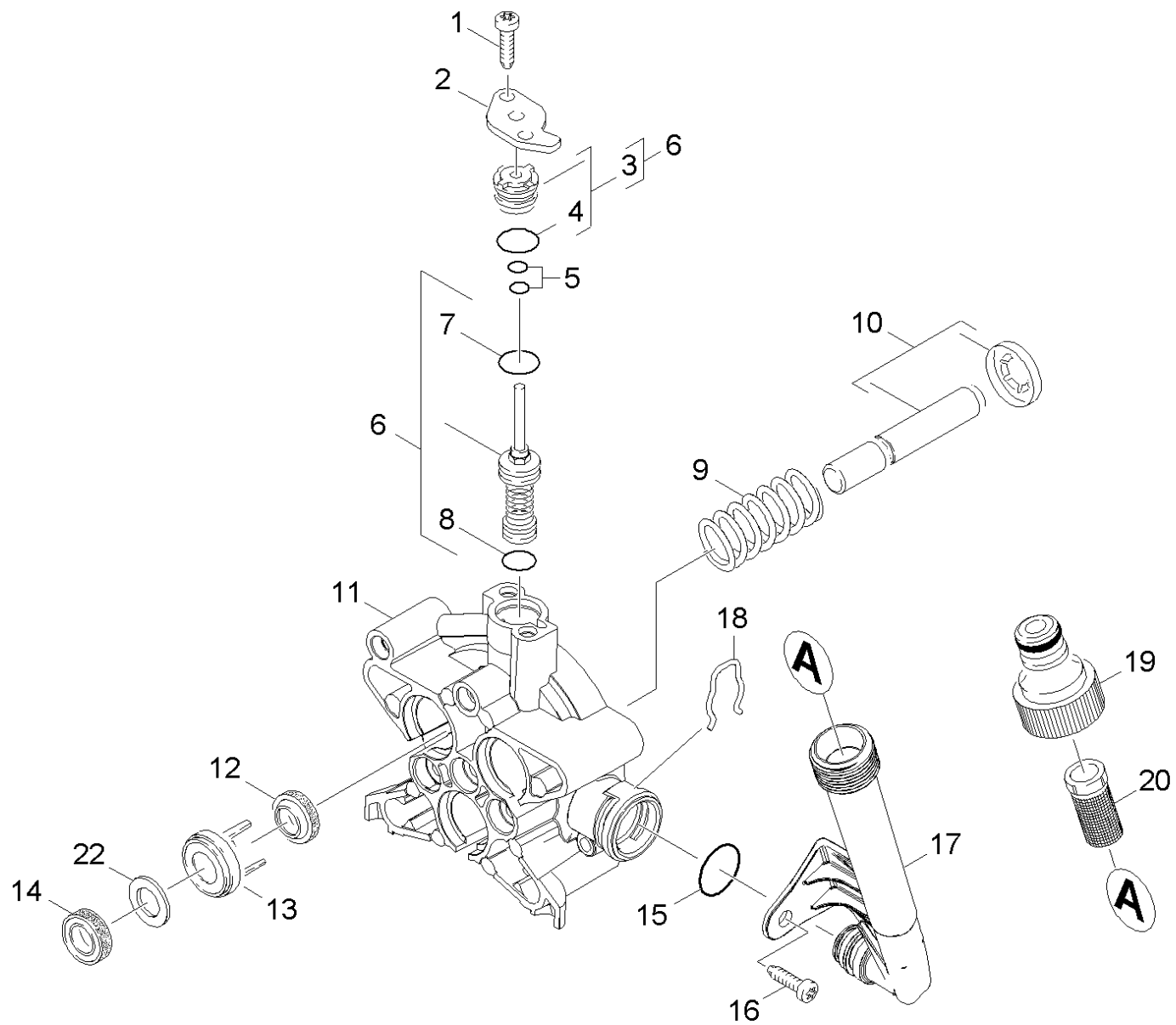
POS	Article no.	Description	Quantity	Unit
15	6.362-077.0	O-Ring seal 10 x 2,2 NBR 70	1.000	ST



13 Joining piece only for replacement (4.030-125.0)

---

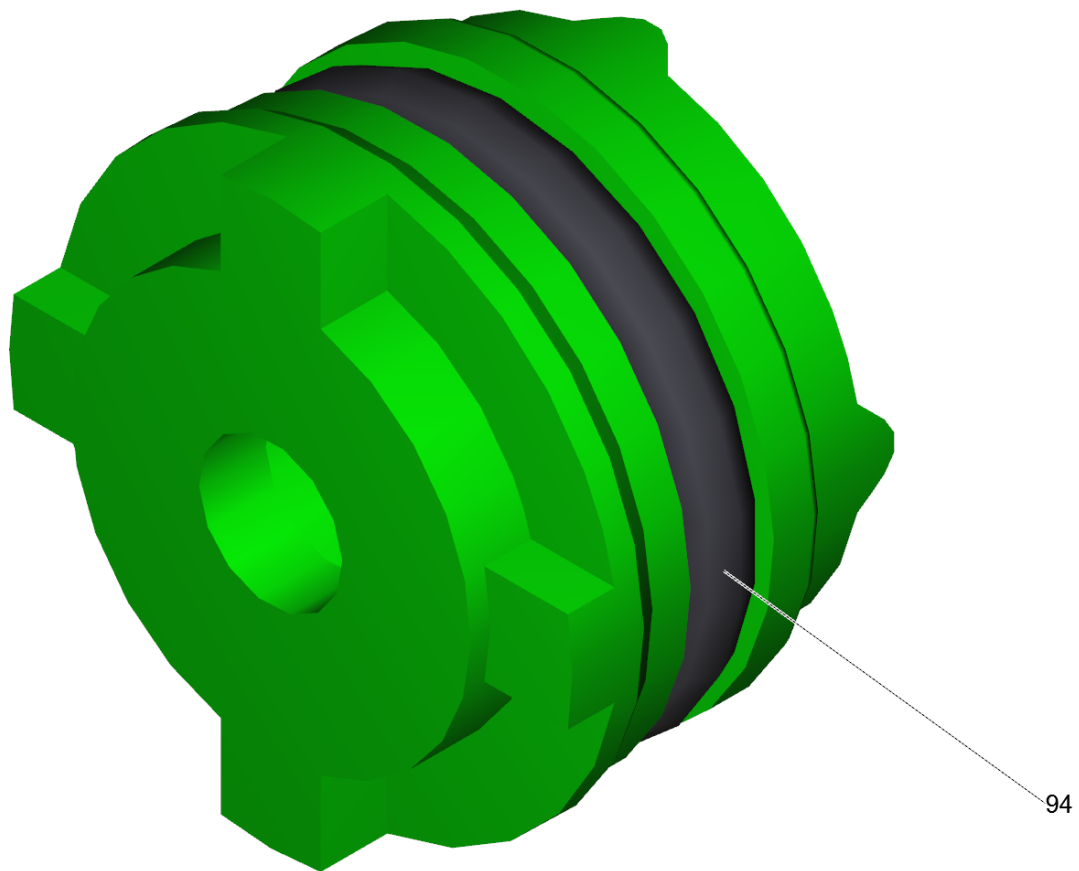
<b>POS</b>	<b>Article no.</b>	<b>Description</b>	<b>Quantity</b>	<b>Unit</b>
87	6.362-176.0	O-Ring seal 6,07x1,78	2.000	ST



## 22 Thrust guidance

POS	Article no.	Description	Quantity	Unit
18	5.048-915.0	Clamp	1.000	ST
19	6.465-031.0	Connection 3/4	1.000	ST
2	5.064-127.0	Cover	1.000	ST
6	4.580-666.0	Excess-current complete D5,7 PUR	1.000	ST
	<b>Item text1:</b> 1.398-804.0			
6	4.580-671.0	Excess-current complete D5,8 PUR	1.000	ST
	<b>Item text1:</b> 1.398-800.0 /-801.0 /-802.0 /-803.0			
	<b>Item text2:</b> / -805.0 / -806.0 / -807.0			
20	5.731-620.0	Fine filter	1.000	ST
14	6.365-394.0	Grooved ring 12x20x5,3/2,8	3.000	ST
3	4.030-123.0	Moulded part complete only for replaceme	1.000	ST
8	6.363-614.0	O-Ring seal 9 x 2 -NBR90	1.000	ST
4	6.362-169.0	O-Ring seal 12,0 X 2,0	1.000	ST
7	6.363-281.0	O-Ring seal 12.42x1.78 -PUR 84	1.000	ST
15	6.363-610.0	O-Ring seal 13 x 3 -NBR	1.000	ST
5	6.362-852.0	O-Ring seal complete 3,69	1.000	ST
12	6.365-393.0	Oil sealing 12x20x4/6	3.000	ST
10	4.553-228.0	Piston complete D12	3.000	ST
11	5.061-012.3	Piston guidance	1.000	ST
9	5.332-391.0	Pressure spring	3.000	ST
16	7.303-037.0	Screw M5x10 -St-P2R (In6Rd)	1.000	ST
1	6.303-265.0	Self-tapping screw M6x20	2.000	ST
17	5.128-762.0	Tube water intake	1.000	ST
22	5.115-721.0	Washer	3.000	ST
13	5.116-062.0	Washer	3.000	ST

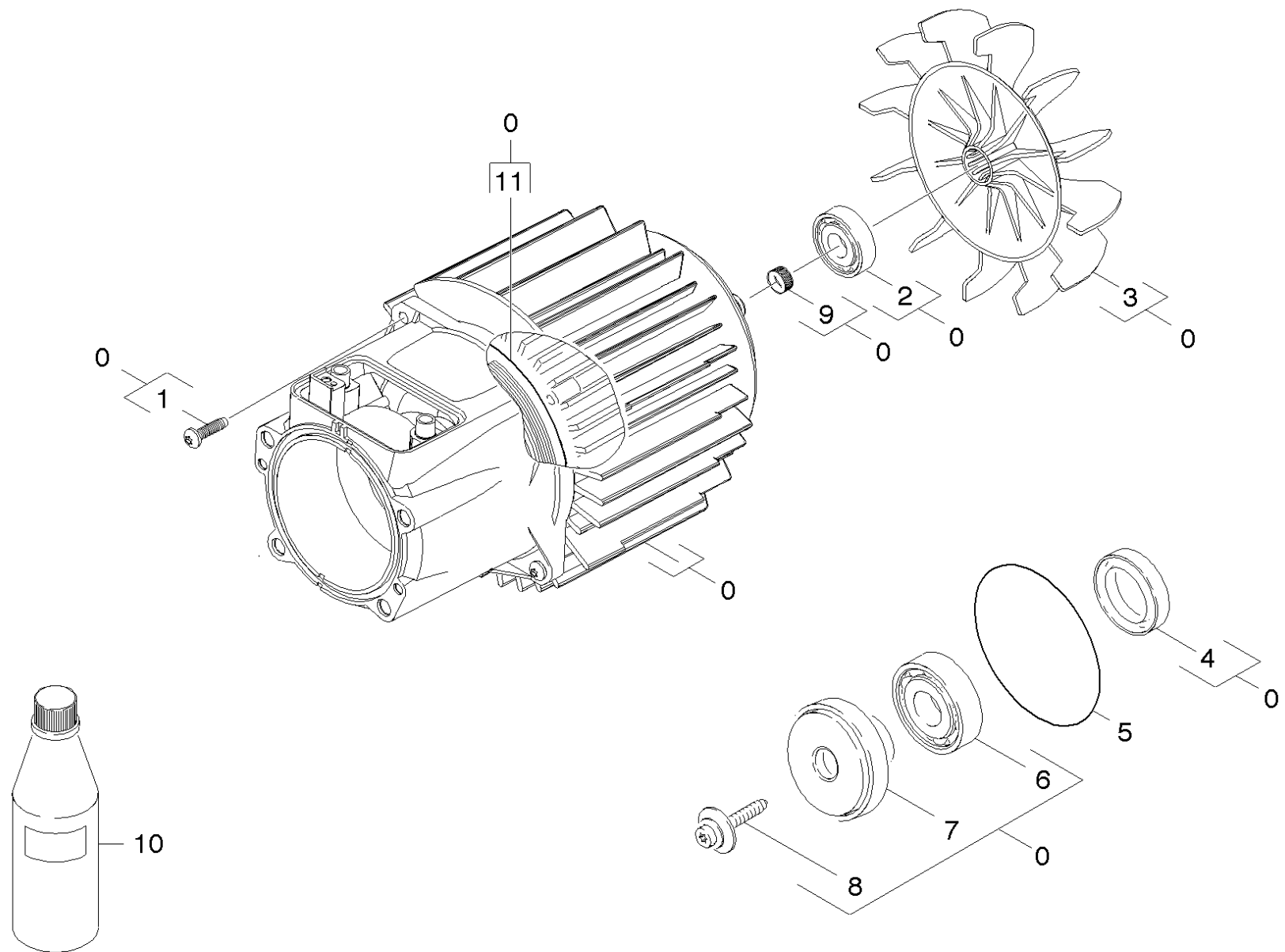




3 Moulded part complete only for replaceme (4.030-123.0)

---

<b>POS</b>	<b>Article no.</b>	<b>Description</b>	<b>Quantity</b>	<b>Unit</b>
94	6.362-169.0	O-Ring seal 12,0 X 2,0	1.000	ST



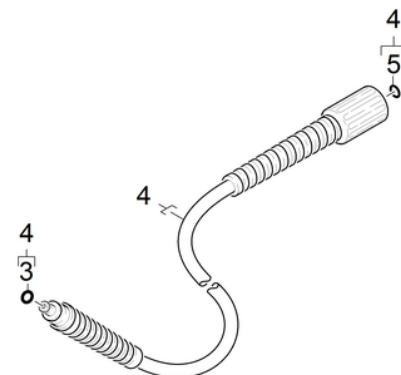
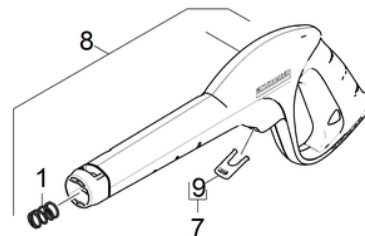
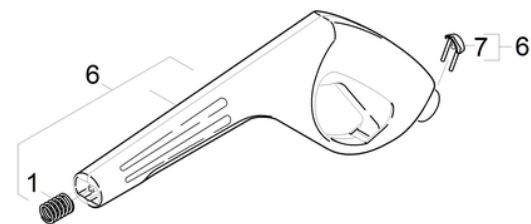
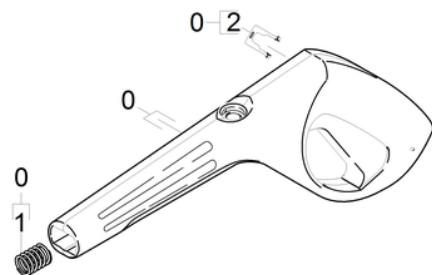
## 30 Motor

POS	Article no.	Description	Quantity	Unit
6	6.401-437.0	Ball bearing	1.000	ST
2	7.401-128.0	Ball bearing 6202-2RS -Wälzl.St DIN 625	1.000	ST
3	5.600-038.0	Blower wheel	1.000	ST
8	6.304-048.0	Cylinder head screw M6x19	1.000	ST
10	6.288-050.0	Engine oil 1L	1.000	ST
11	5.363-590.0	Joint ring	1.000	ST
0	4.623-893.0	Motor complete replacement	1.000	ST
	<b>Item text1:</b> 1.398-800.0 /-802.0 /-803.0 /-805.0			
	<b>Item text2:</b> /-806.0 /-807.0			
0	4.623-909.0	Motor complete replacement -K6.91*AUS	1.000	ST
	<b>Item text1:</b> 1.398-804.0			
0	4.623-895.0	Motor complete replacement -K7.91*F	1.000	ST
	<b>Item text1:</b> 1.398-801.0			
5	6.362-471.0	O-Ring seal 80,0 X 3,0 -NBR 70	1.000	ST
4	6.367-051.0	Rotary shaft seal -20X37X8 NBR	1.000	ST
1	6.303-320.0	Screw M 5x 20-St-R2R	4.000	ST
9	6.343-218.0	Tolerance ring 15x6	1.000	ST
7	6.401-300.0	Wobble plate	1.000	ST
	<b>Item text1:</b> 1.398-804.0			
7	6.401-349.0	Wobble plate	1.000	ST
	<b>Item text1:</b> 1.398-800.0 /-801.0 /-802.0 /-803.0			
	<b>Item text2:</b> /-805.0 /-806.0 /-807.0			

## 40 Accessories

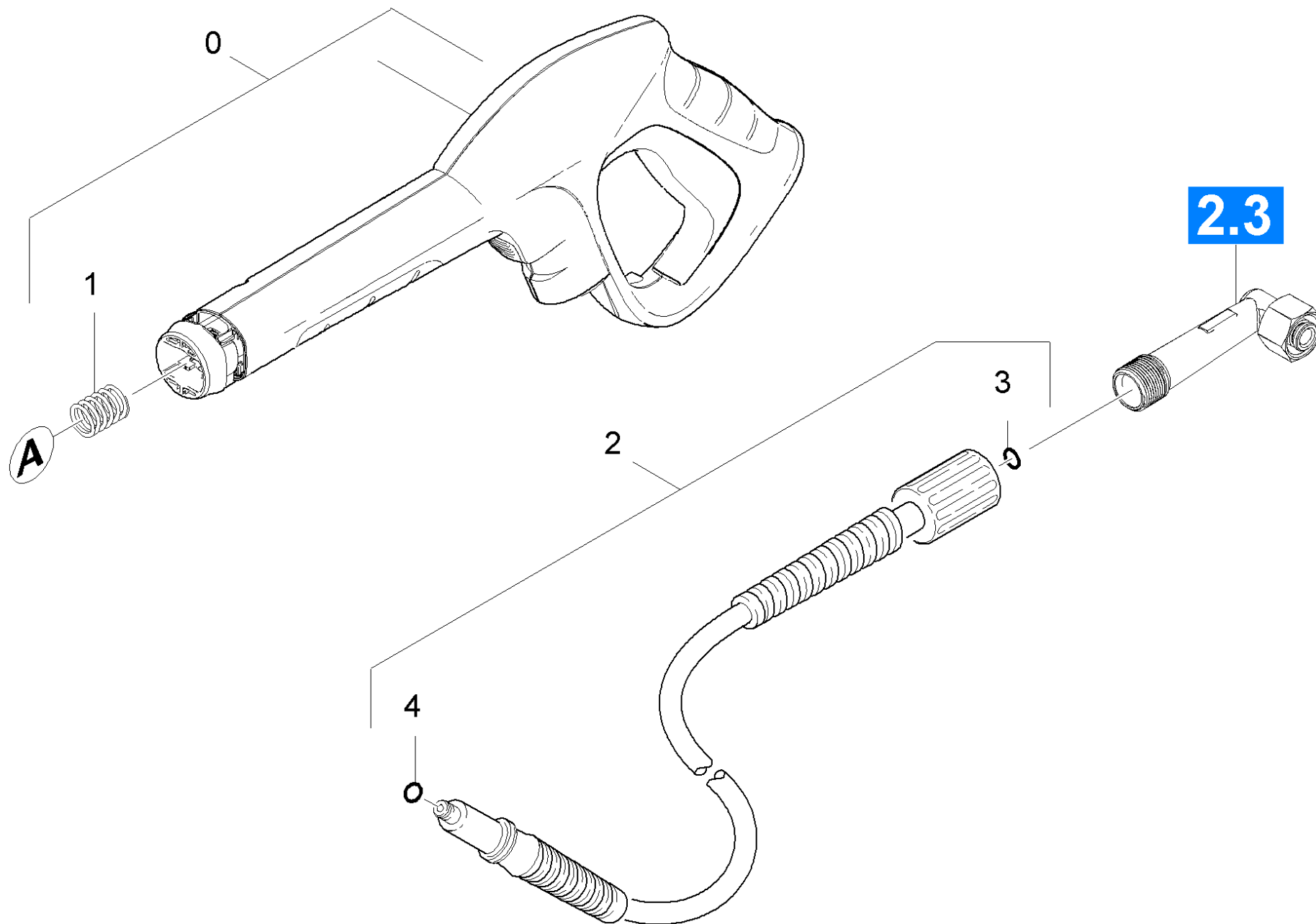
---

POS	Description	Quantity	Unit	Remark
43	Hand trigger gun	1.000	ST	
42	Hand trigger gun	1.000	ST	
41	Hand trigger gun	1.000	ST	
44	Jet pipe	1.000	ST	
47	Surface cleaner	1.000	ST	(T100)
46	Surface cleaner	1.000	ST	(T200)
45	Surface cleaner	1.000	ST	(T300)



## 41 Hand trigger gun

POS	Article no.	Description	Quantity	Unit
2	5.037-140.0	Clamp	1.000	ST
9	5.037-185.0	Clamp	1.000	ST
8	2.641-959.0	G 160 pistol	1.000	ST
4	6.391-536.0	High pressure hose 9/16MPa,Kaer.,60G,Gum	1.000	ST
	<b>Item text1:</b> 1.398-801.0			
4	4.440-673.0	High pressure hose 12/16MPa,Kaer.,60G	1.000	ST
	<b>Item text1:</b> 1.398-803.0			
4	4.440-673.0	High pressure hose 12/16MPa,Kaer.,60G	1.000	ST
	<b>Item text1:</b> 1.398-800.0 /-802.0 /-805.0 /			
7	4.037-018.0	Hook	1.000	ST
3	6.363-198.0	O-Ring seal 6x2 90 shore PUR	1.000	ST
1	5.332-464.0	Pressure spring	1.000	ST
5	2.880-990.0	Spare part set O-Ring 5x -Kaercher	1.000	ST
6	7.777-999.0	Stockpiling discontinued	1.000	ST
	<b>Item text1:</b> 1.398-801.0			
0	7.777-999.0	Stockpiling discontinued	1.000	ST





## 42 Hand trigger gun

---

POS	Article no.	Description	Quantity	Unit	Remark
0	2.642-889.0	G 180 Q Trigger gun Quick Connect	1.000	ST	
2	4.440-857.0	High pressure hose 16/12 60°C	1.000	ST	12m
2	4.440-866.0	High pressure hose rubber 16/9 60°C	1.000	ST	9m
4	6.363-410.0	O-Ring seal 5,7x1,78 NBR 90Shore	1.000	ST	
1	5.332-464.0	Pressure spring	1.000	ST	
3	2.880-990.0	Spare part set O-Ring 5x -Kaercher	1.000	ST	

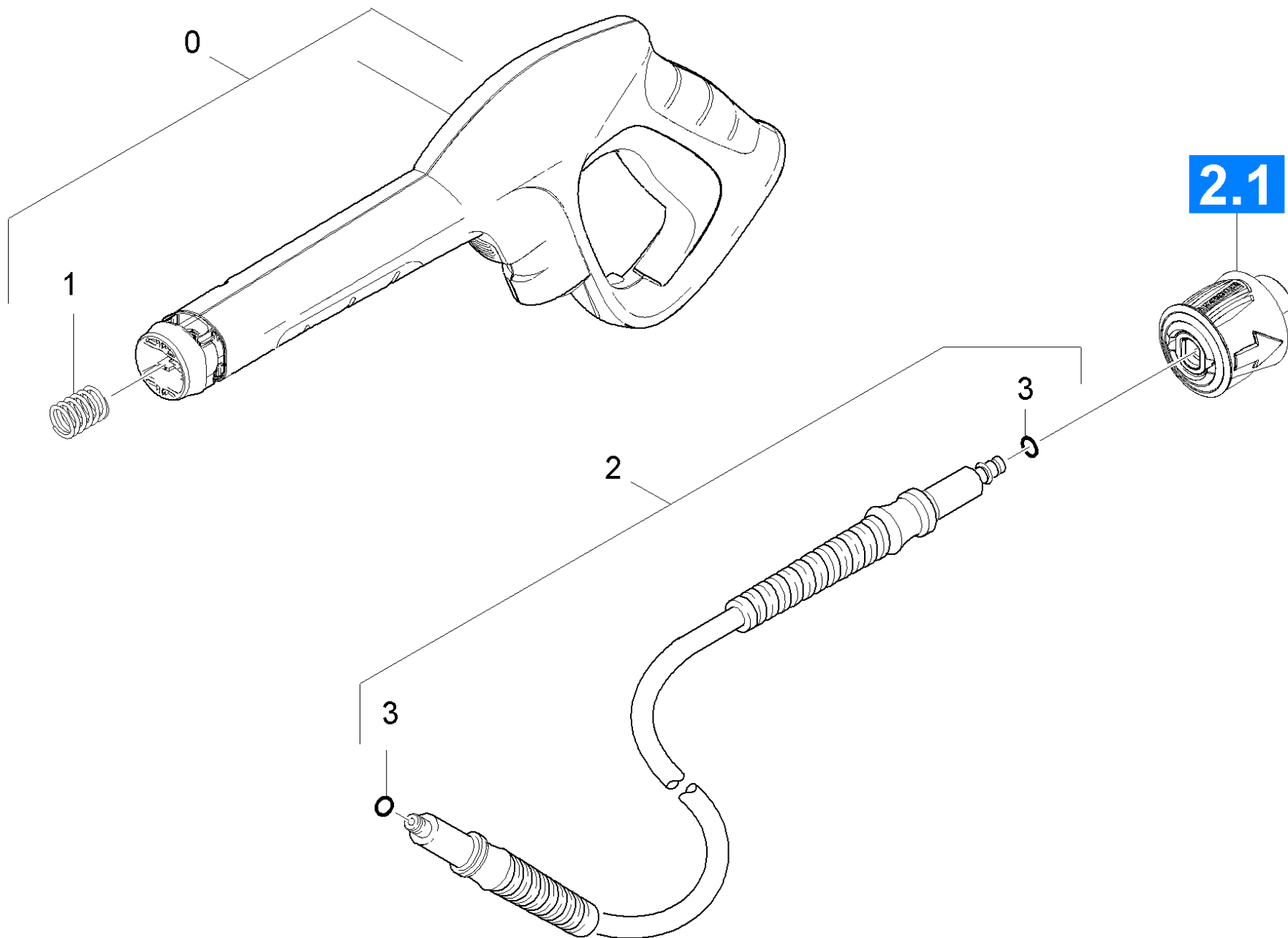


G 180 Q Trigger gun Quick Connect (2.642-889.0)

---

<b>POS</b>	<b>Article no.</b>	<b>Description</b>	<b>Quantity</b>	<b>Unit</b>
1	5.332-464.0	Pressure spring	1.000	ST

---



## 43 Hand trigger gun

POS	Article no.	Description	Quantity	Unit
0	2.642-889.0	G 180 Q Trigger gun Quick Connect	1.000	ST
2	2.641-721.0	H 9 Q high pressure hose Quick Connect	1.000	ST
	<b>Item text1:</b> 1.398-801.0			
2	6.391-785.0	High pressure hose 16MPa/12 60°C QC B	1.000	ST
	<b>Item text1:</b> 1.398-803.0			
2	6.391-785.0	High pressure hose 16MPa/12 60°C QC B	1.000	ST
	<b>Item text1:</b> 1.398-800.0 /-802.0 /-804.0 /-805.0			
	<b>Item text2:</b> /-806.0 /-807.0			
1	5.332-464.0	Pressure spring	1.000	ST
3	2.880-990.0	Spare part set O-Ring 5x -Kaercher	2.000	ST



G 180 Q Trigger gun Quick Connect (2.642-889.0)

---

<b>POS</b>	<b>Article no.</b>	<b>Description</b>	<b>Quantity</b>	<b>Unit</b>
1	5.332-464.0	Pressure spring	1.000	ST

---





2 H 9 Q high pressure hose Quick Connect (2.641-721.0)

---

<b>POS</b>	<b>Article no.</b>	<b>Description</b>	<b>Quantity</b>	<b>Unit</b>
999	2.640-729.0	O-Ring seal set	1.000	ST



2 High pressure hose 16MPa/12 60°C QC B (6.391-785.0)

---

POS	Article no.	Description	Quantity	Unit
1	2.640-729.0	O-Ring seal set	1.000	ST

---

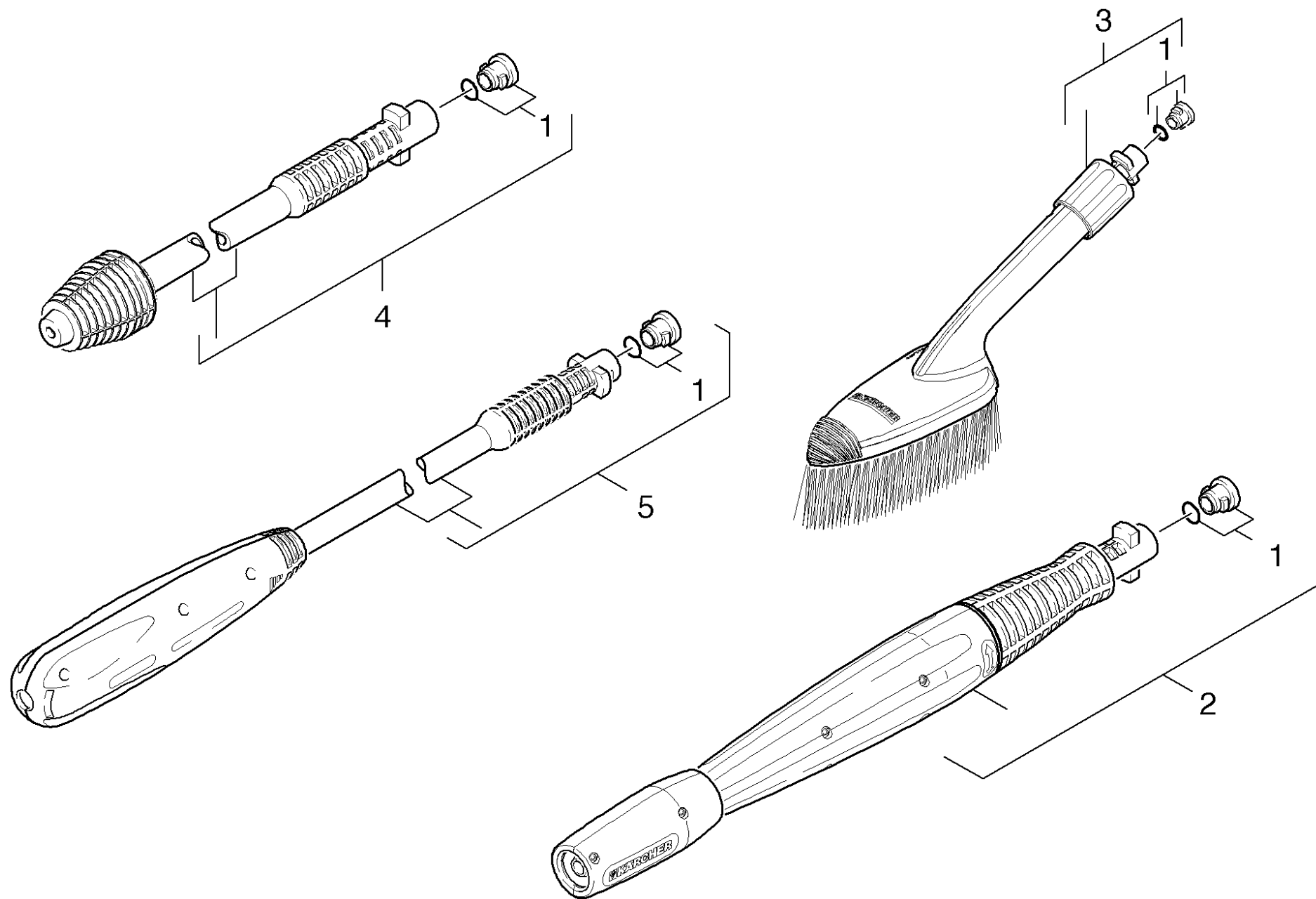


2 High pressure hose 16MPa/12 60°C QC B (6.391-785.0)

---

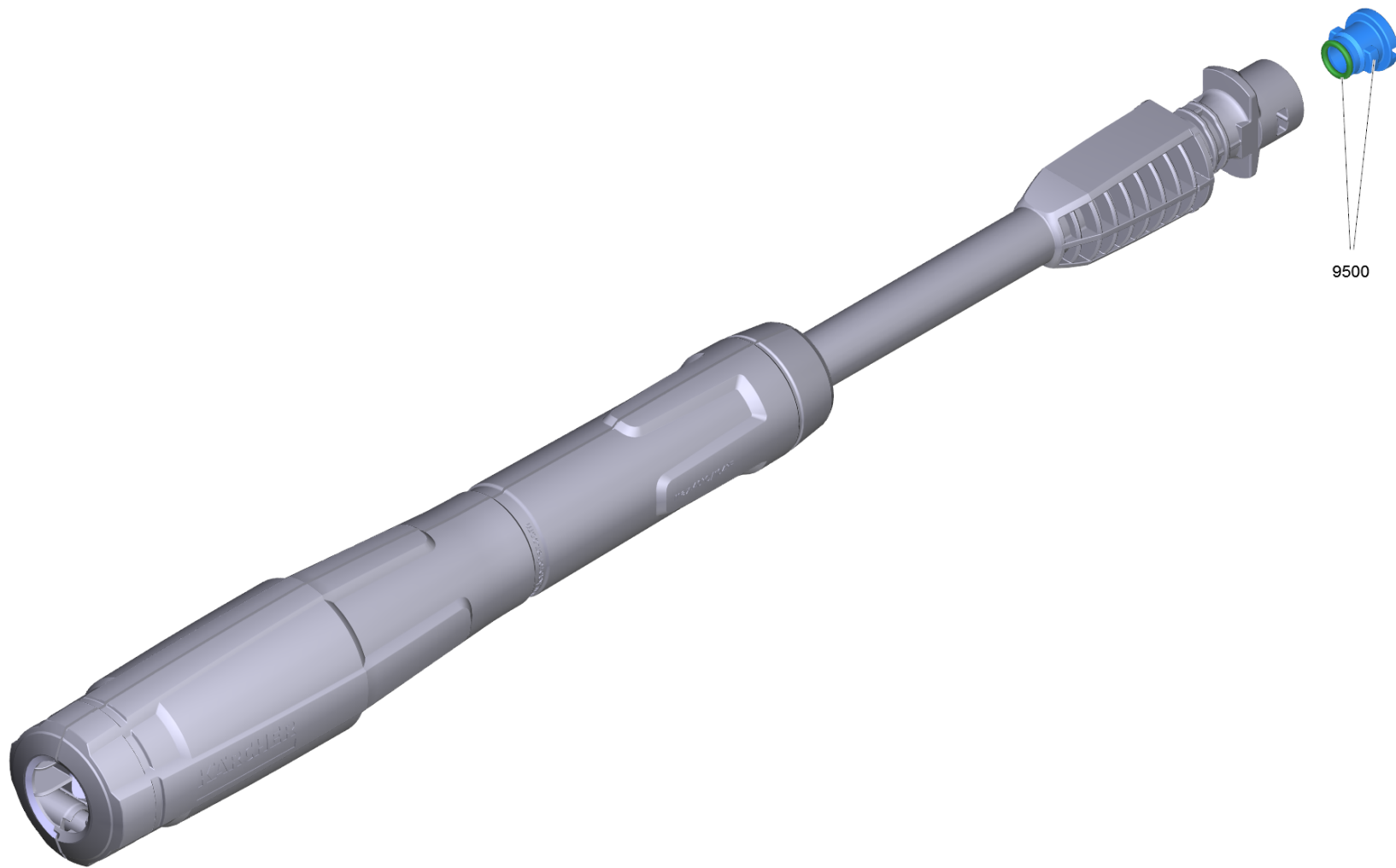
<b>POS</b>	<b>Article no.</b>	<b>Description</b>	<b>Quantity</b>	<b>Unit</b>
1	2.640-729.0	O-Ring seal set	1.000	ST

---



## 44 Jet pipe

POS	Article no.	Description	Quantity	Unit
3	2.640-589.0	Brush lengthwise	1.000	ST
4	2.642-728.0	DB 145 Dirt Blaster (packaged)	1.000	ST
	<b>Item text1:</b> 1.398-803.0			
4	4.764-211.0	Dirt blaster 0295 St	1.000	ST
	<b>Item text1:</b> 1.398-804.0			
4	4.764-213.0	Dirt blaster 033 St	1.000	ST
	<b>Item text1:</b> 1.398-800.0 /-801.0 / -802.0 /			
	<b>Item text2:</b> -805.0 /-806.0 /-807.0			
1	2.640-729.0	O-Ring seal set	1.000	ST
5	7.777-999.0	Stockpiling discontinued	1.000	ST
2	2.642-725.0	VP 145 Vario Power Jet (packaged)	1.000	ST
	<b>Item text1:</b> 1.398-804.0			
2	4.760-524.0	VPS K5 033	1.000	ST
	<b>Item text1:</b> 1.398-800.0 /-801.0 /-802.0 /-803.0 /			
	<b>Item text2:</b> -805.0 /-806.0 /-807.0			



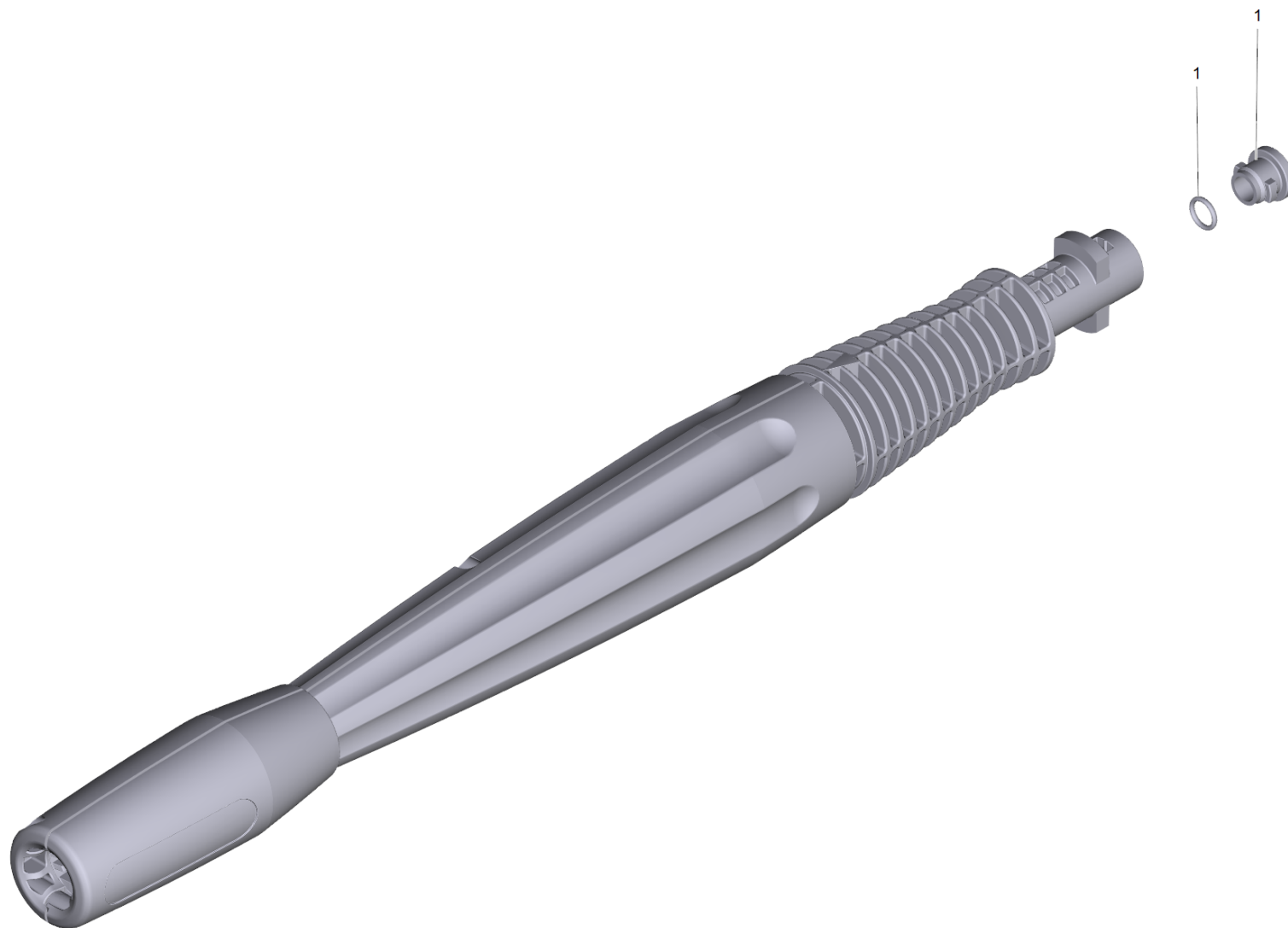


2 VP 145 Vario Power Jet (packaged) (2.642-725.0)

---

<b>POS</b>	<b>Article no.</b>	<b>Description</b>	<b>Quantity</b>	<b>Unit</b>
9500	2.640-729.0	O-Ring seal set	1.000	ST

---



<b>POS</b>	<b>Article no.</b>	<b>Description</b>	<b>Quantity</b>	<b>Unit</b>
1	2.640-729.0	O-Ring seal set	1.000	ST



4 DB 145 Dirt Blaster (packaged) (2.642-728.0)

---

<b>POS</b>	<b>Article no.</b>	<b>Description</b>	<b>Quantity</b>	<b>Unit</b>
9500	2.640-729.0	O-Ring seal set	1.000	ST



4 Dirt blaster 0295 St (4.764-211.0)

---

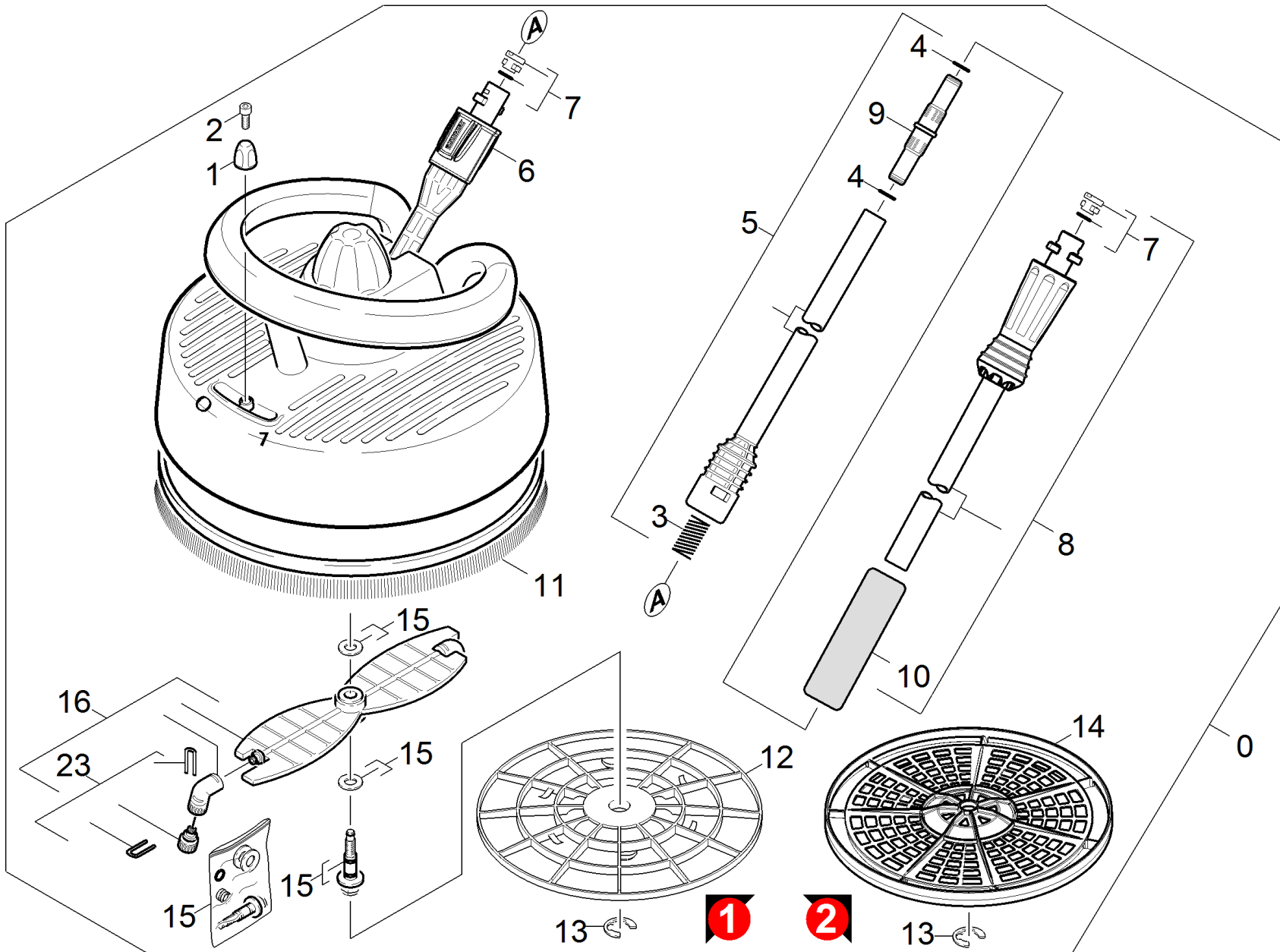
POS	Article no.	Description	Quantity	Unit
1	2.640-729.0	O-Ring seal set	1.000	ST

4 Dirt blaster 033 St (4.764-213.0)

---

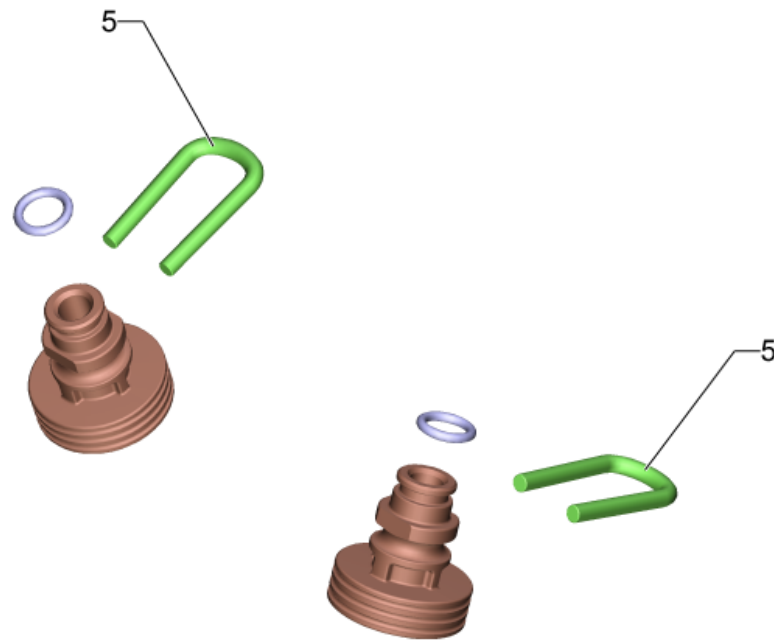
<b>POS</b>	<b>Article no.</b>	<b>Description</b>	<b>Quantity</b>	<b>Unit</b>
999	2.640-729.0	O-Ring seal set	1.000	ST




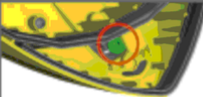











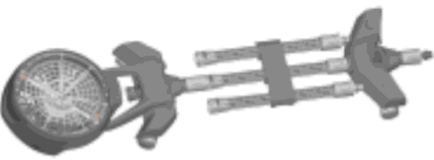


## 45 Surface cleaner

POS	Article no.	Description	Quantity	Unit	Foot note text
15	2.883-963.0	Bearing neck complete	1.000	ST	
9	5.471-105.0	Coupling element jet pipe extension	1.000	ST	
14	5.394-872.0	Grate T 300 Plus	1.000	ST	
10	6.321-160.0	Handhold foamed material	1.000	ST	
5	4.760-495.0	Jet pipe	1.000	ST	
8	4.760-688.0	Jet pipe PS	1.000	ST	
13	7.343-206.0	Lock washer 12-2.1030 DIN 6799	1.000	ST	
6	5.310-160.0	Nut Kaercher	1.000	ST	
4	6.363-615.0	O-Ring seal 11 x 1,5 -NBR70	2.000	ST	
7	2.640-729.0	O-Ring seal set	2.000	ST	
3	5.332-464.0	Pressure spring	1.000	ST	
12	5.394-661.0	Protection part	1.000	ST	
2	7.303-092.0	Screw 3x12 -10.9-R2R (K-In6Rd)	1.000	ST	
16	2.883-973.0	Spare part set rotor	1.000	ST	
23	2.643-338.0	Spare parts nozzles T-Racer	1.000	ST	YELLOW
23	2.643-338.0	Spare parts nozzles T-Racer	1.000	ST	GREY
1	7.777-999.0	Stockpiling discontinued	1.000	ST	
11	6.369-738.0	Strip brush	1.000	ST	
0	2.640-212.0	T 300 T-Racer surface cleaner	1.000	ST	



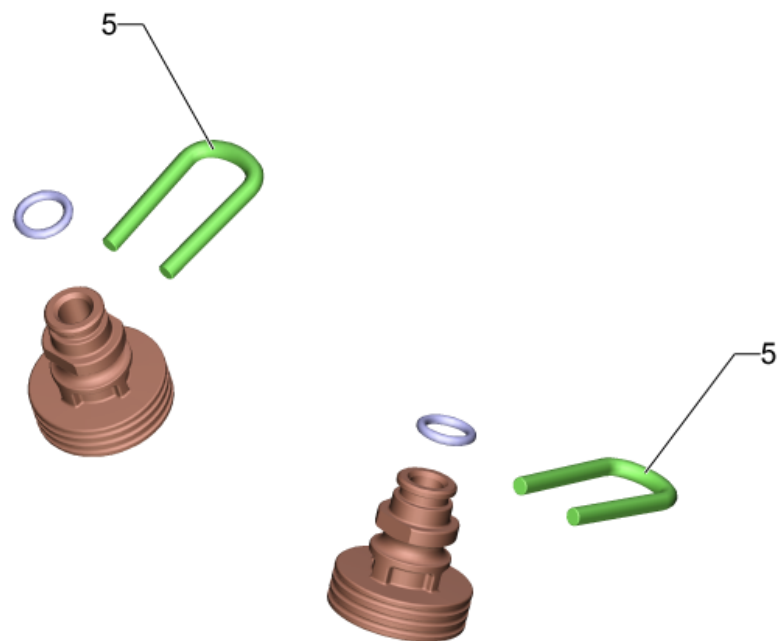
T 50, T 70, T 80, T 100 T 150, T 200, T 250, T 300, T 400, T 450, T 550	K 2 - K 5		
	K 6 - K 7		
T 400, T 450 T 550			
T 200, T 250	K 6 - K 7		
T 350 Gas			




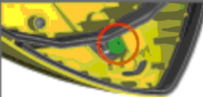




	K 3 - K 5	
	K 6 - K 7	




	K 2	
	K 3 - K 5	

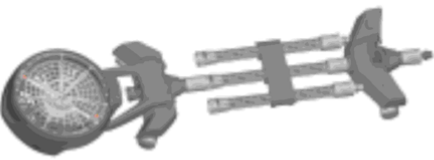


23 Spare parts nozzles T-Racer (2.643-338.0)

POS	Article no.	Description	Quantity	Unit	Remark	Foot note text
5	5.037-151.0	Clamp	2.000	ST		
1	4.764-155.0	Nozzle complete 15015	1.000	ST	<13 MPa (<130 bar)	GREY
		<b>Item text1:</b> 015				
2	4.764-156.0	Nozzle complete 15020	1.000	ST	13 MPa (130 bar) - 16 MPa (160 bar)	YELLOW
		<b>Item text1:</b> 020				
3		Nozzle complete 15027	1.000	ST		BLACK
		<b>Item text1:</b> 027				
4	4.764-190.0	Nozzle kpl. 75047	1.000	ST		GREEN
		<b>Item text1:</b> 047				



T 50, T 70, T 80, T 100 T 150, T 200, T 250, T 300, T 400, T 450, T 550	K 2 - K 5		
	K 6 - K 7		
T 400, T 450 T 550			
T 200, T 250	K 6 - K 7		
T 350 Gas			

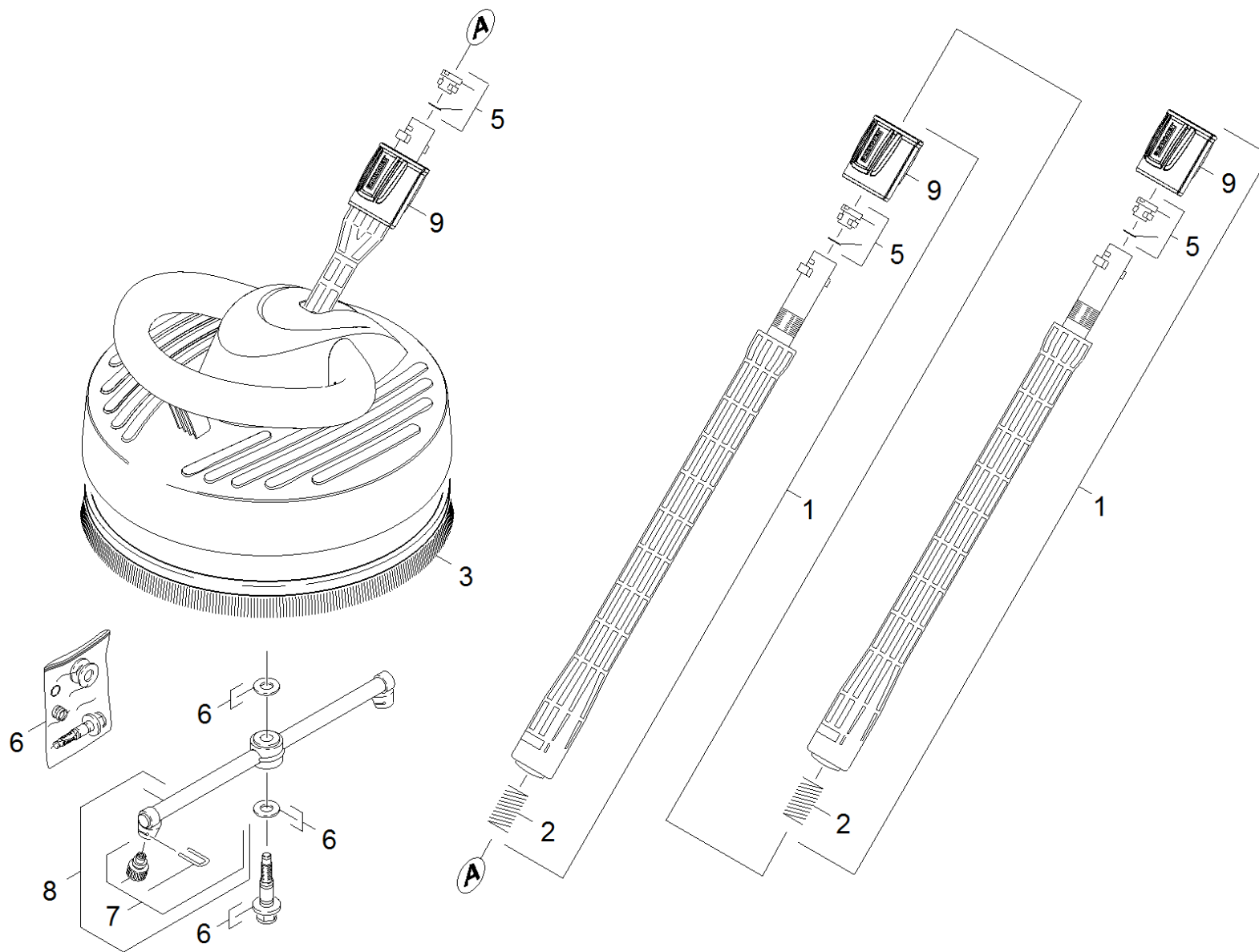
	K 3 - K 5	
	K 6 - K 7	

	K 2	
	K 3 - K 5	

23 Spare parts nozzles T-Racer (2.643-338.0)

POS	Article no.	Description	Quantity	Unit	Remark	Foot note text
5	5.037-151.0	Clamp	2.000	ST		
1	4.764-155.0	Nozzle complete 15015	1.000	ST	<13 MPa (<130 bar)	GREY
		<b>Item text1:</b> 015				
2	4.764-156.0	Nozzle complete 15020	1.000	ST	13 MPa (130 bar) - 16 MPa (160 bar)	YELLOW
		<b>Item text1:</b> 020				
3		Nozzle complete 15027	1.000	ST		BLACK
		<b>Item text1:</b> 027				
4	4.764-190.0	Nozzle kpl. 75047	1.000	ST		GREEN
		<b>Item text1:</b> 047				





## 46 Surface cleaner

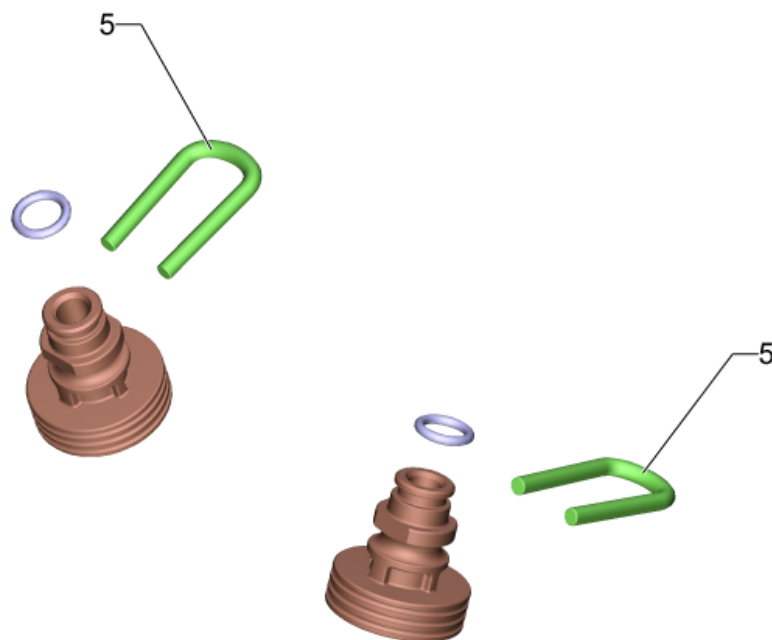
POS	Article no.	Description	Quantity	Unit	Foot note text
9	5.310-160.0	Nut Kaercher	3.000	ST	
5	2.640-729.0	O-Ring seal set	3.000	ST	
2	5.332-464.0	Pressure spring	2.000	ST	
1	2.643-240.0	Single-step jet pipe extension	2.000	ST	
7	2.641-556.0	Spare part set nozzles 027	1.000	ST	BLACK
8	2.885-003.0	Spare part set rotor neutrally	1.000	ST	
6	2.883-994.0	Spare part set set of gaskets neutrally	1.000	ST	
7	2.643-338.0	Spare parts nozzles T-Racer	1.000	ST	GREY
3	6.371-086.0	Strip brush	1.000	ST	




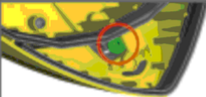









1 Single-step jet pipe extension (2.643-240.0)




---

<b>POS</b>	<b>Article no.</b>	<b>Description</b>	<b>Quantity</b>	<b>Unit</b>
10	5.310-160.0	Nut Kaercher	1.000	ST
3	2.640-729.0	O-Ring seal set	1.000	ST
8	5.332-464.0	Pressure spring	1.000	ST



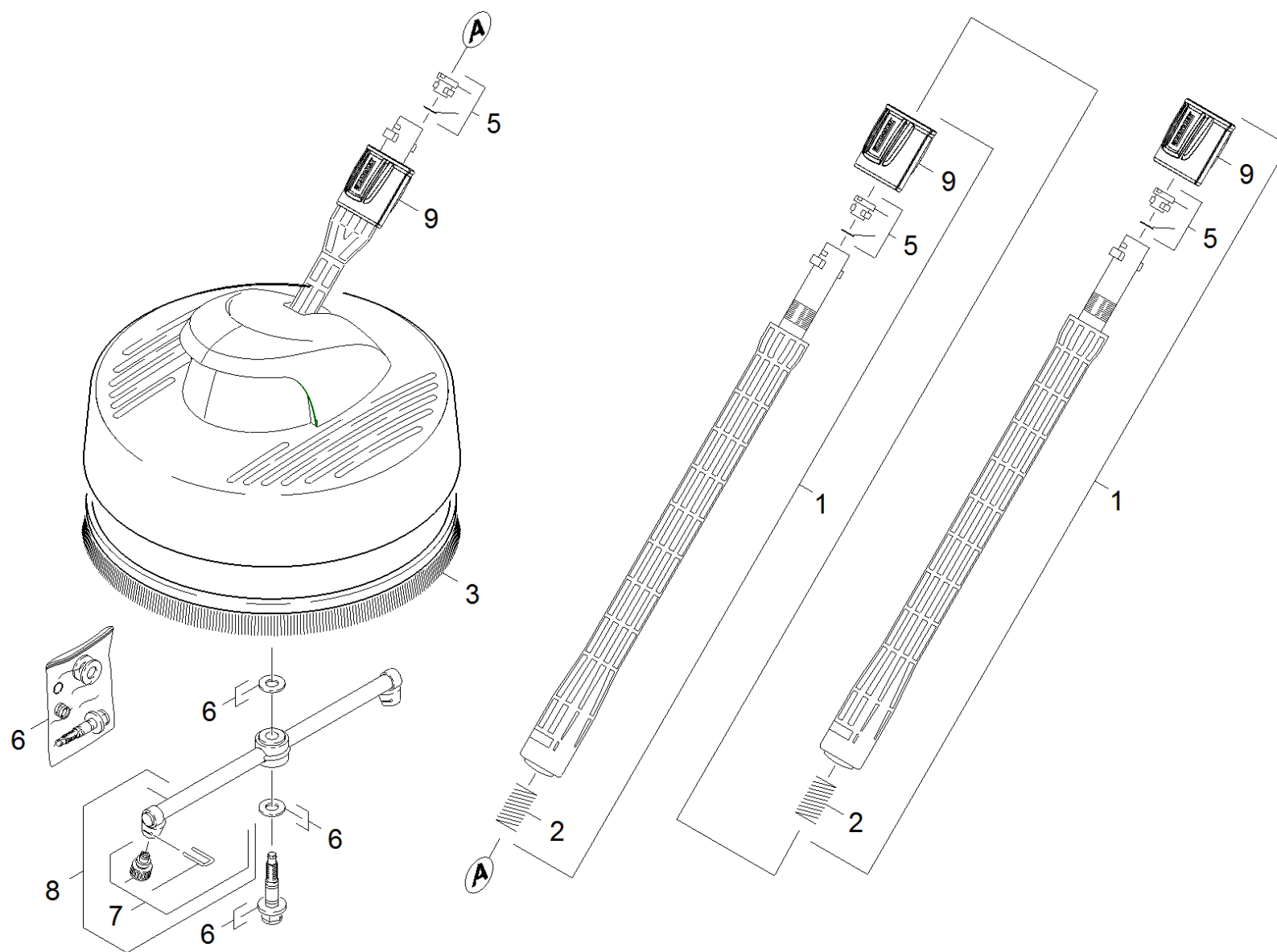
T 50, T 70, T 80, T 100 T 150, T 200, T 250, T 300, T 400, T 450, T 550	K 2 - K 5		
	K 6 - K 7		
T 400, T 450 T 550			
T 200, T 250	K 6 - K 7		
T 350 Gas			

	K 3 - K 5	
	K 6 - K 7	

	K 2	
	K 3 - K 5	

7 Spare parts nozzles T-Racer (2.643-338.0)

POS	Article no.	Description	Quantity	Unit	Remark	Foot note text
5	5.037-151.0	Clamp	2.000	ST		
1	4.764-155.0	Nozzle complete 15015	1.000	ST	<13 MPa (<130 bar)	GREY
		<b>Item text1:</b> 015				
2	4.764-156.0	Nozzle complete 15020	1.000	ST	13 MPa (130 bar) - 16 MPa (160 bar)	YELLOW
		<b>Item text1:</b> 020				
3		Nozzle complete 15027	1.000	ST		BLACK
		<b>Item text1:</b> 027				
4	4.764-190.0	Nozzle kpl. 75047	1.000	ST		GREEN
		<b>Item text1:</b> 047				





## 47 Surface cleaner

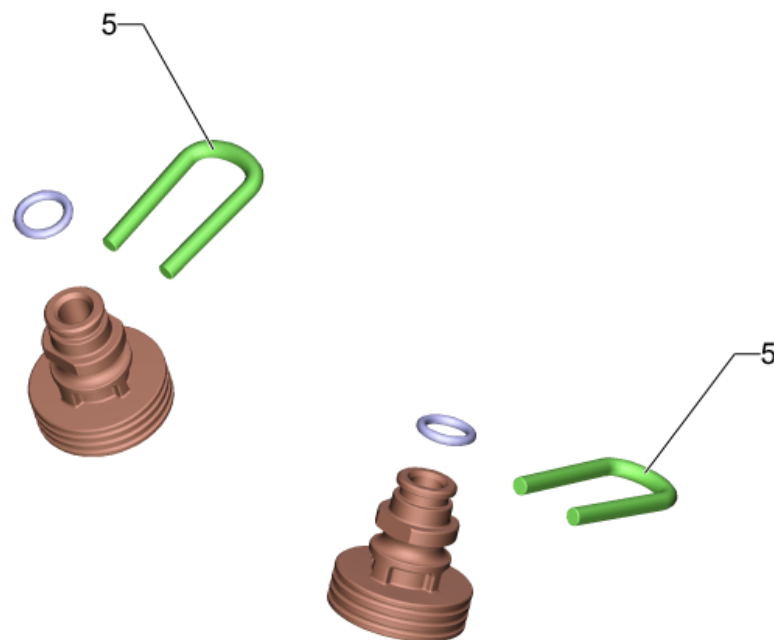
POS	Article no.	Description	Quantity	Unit	Foot note text
9	5.310-160.0	Nut Kaercher	3.000	ST	
5	2.640-729.0	O-Ring seal set	3.000	ST	
2	5.332-464.0	Pressure spring	2.000	ST	
1	2.643-240.0	Single-step jet pipe extension	2.000	ST	
8	2.883-998.0	Spare part set rotor	1.000	ST	
6	2.883-994.0	Spare part set set of gaskets neutrally	1.000	ST	
7	2.643-338.0	Spare parts nozzles T-Racer	1.000	ST	YELLOW
7	2.643-338.0	Spare parts nozzles T-Racer	1.000	ST	GREY
3	6.369-918.0	Strip brush	1.000	ST	




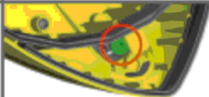









1 Single-step jet pipe extension (2.643-240.0)




---

<b>POS</b>	<b>Article no.</b>	<b>Description</b>	<b>Quantity</b>	<b>Unit</b>
10	5.310-160.0	Nut Kaercher	1.000	ST
3	2.640-729.0	O-Ring seal set	1.000	ST
8	5.332-464.0	Pressure spring	1.000	ST



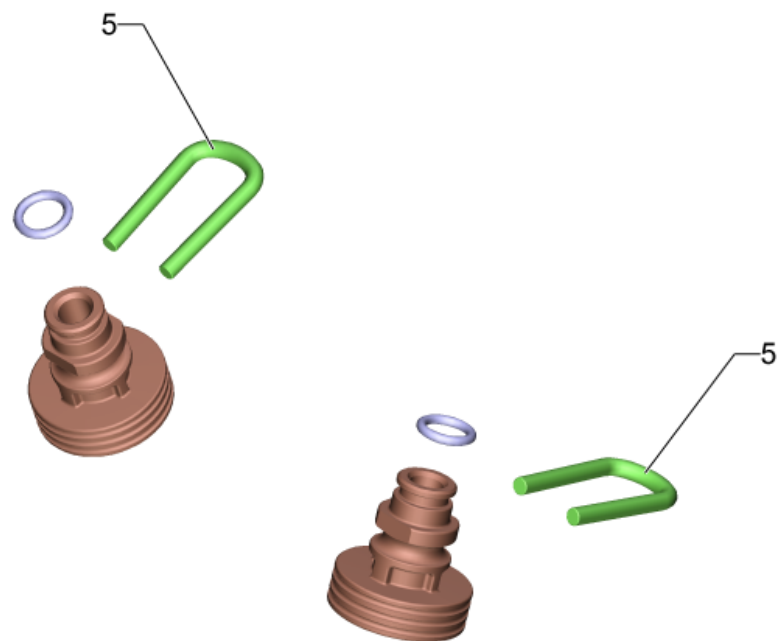
T 50, T 70, T 80, T 100 T 150, T 200, T 250, T 300, T 400, T 450, T 550	K 2 - K 5		
	K 6 - K 7		
T 400, T 450 T 550			
T 200, T 250	K 6 - K 7		
T 350 Gas			




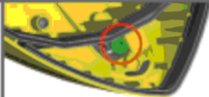




	K 3 - K 5	
	K 6 - K 7	




	K 2	
	K 3 - K 5	




7 Spare parts nozzles T-Racer (2.643-338.0)

POS	Article no.	Description	Quantity	Unit	Remark	Foot note text
5	5.037-151.0	Clamp	2.000	ST		
1	4.764-155.0	Nozzle complete 15015	1.000	ST	<13 MPa (<130 bar)	GREY
		<b>Item text1:</b> 015				
2	4.764-156.0	Nozzle complete 15020	1.000	ST	13 MPa (130 bar) - 16 MPa (160 bar)	YELLOW
		<b>Item text1:</b> 020				
3		Nozzle complete 15027	1.000	ST		BLACK
		<b>Item text1:</b> 027				
4	4.764-190.0	Nozzle kpl. 75047	1.000	ST		GREEN
		<b>Item text1:</b> 047				



T 50, T 70, T 80, T 100 T 150, T 200, T 250, T 300, T 400, T 450, T 550	K 2 - K 5		
	K 6 - K 7		
T 400, T 450 T 550			
T 200, T 250	K 6 - K 7		
T 350 Gas			

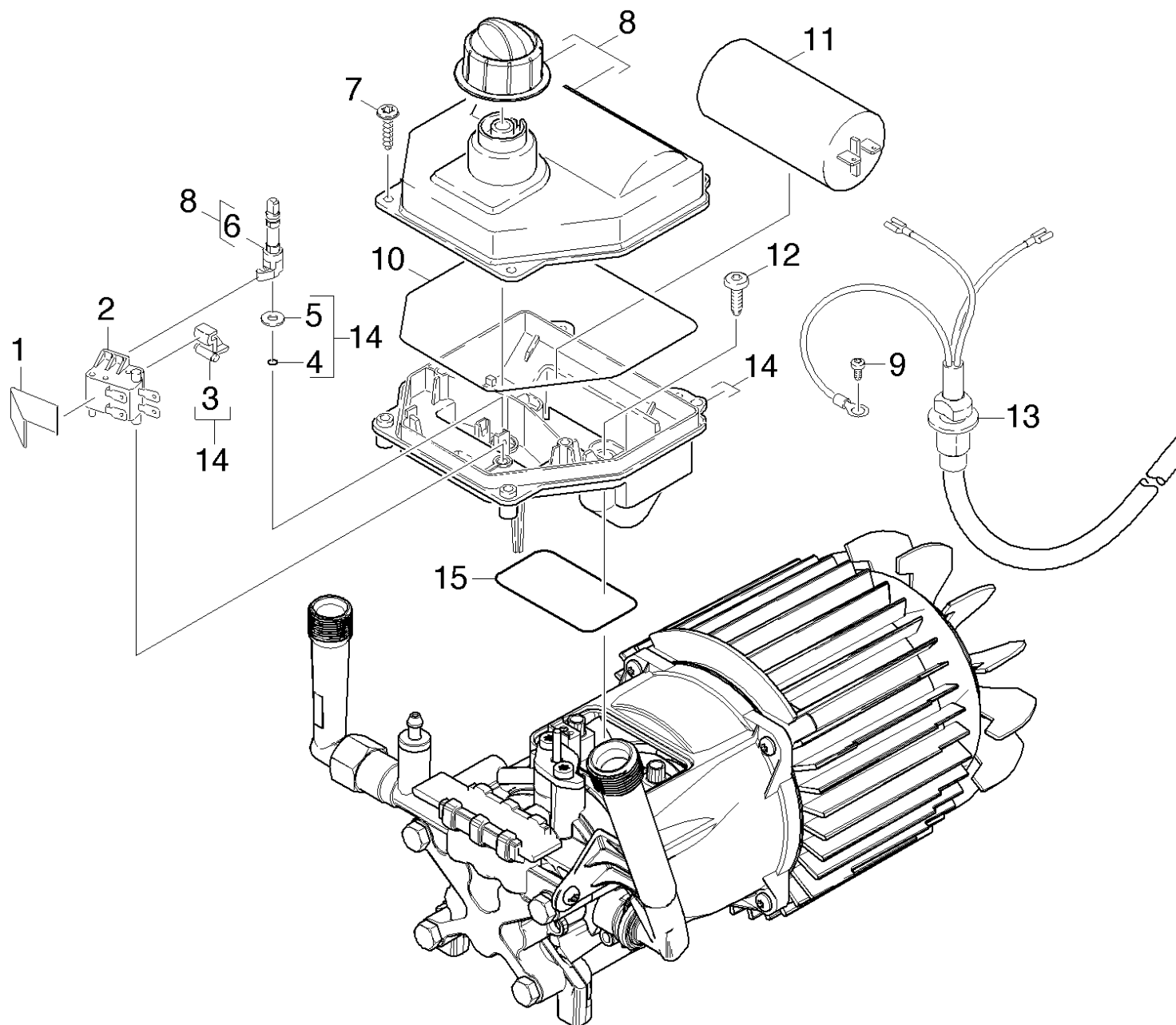
	K 3 - K 5	
	K 6 - K 7	

	K 2	
	K 3 - K 5	



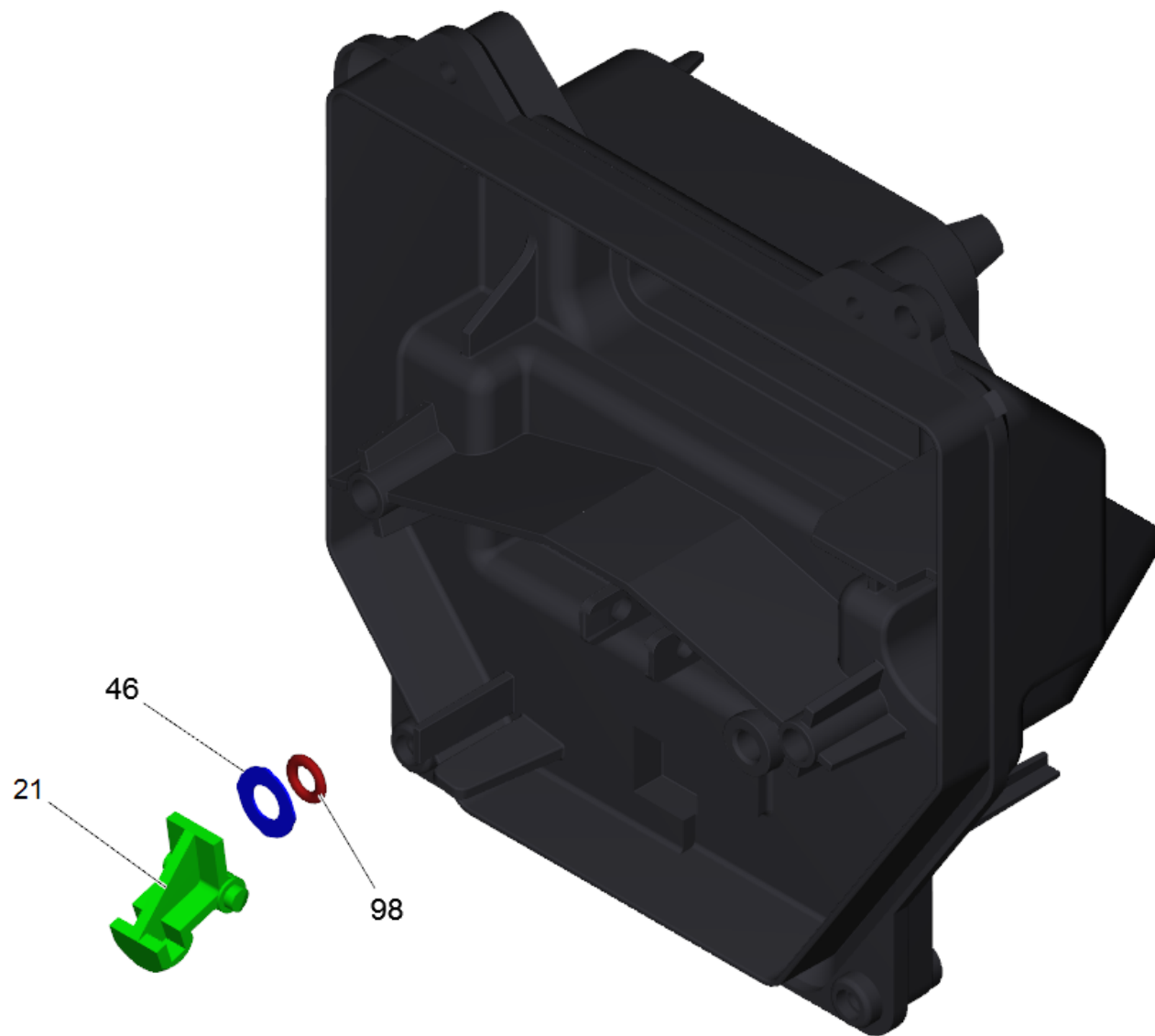
7 Spare parts nozzles T-Racer (2.643-338.0)

POS	Article no.	Description	Quantity	Unit	Remark	Foot note text
5	5.037-151.0	Clamp	2.000	ST		
1	4.764-155.0	Nozzle complete 15015	1.000	ST	<13 MPa (<130 bar)	GREY
		<b>Item text1:</b> 015				
2	4.764-156.0	Nozzle complete 15020	1.000	ST	13 MPa (130 bar) - 16 MPa (160 bar)	YELLOW
		<b>Item text1:</b> 020				
3		Nozzle complete 15027	1.000	ST		BLACK
		<b>Item text1:</b> 027				
4	4.764-190.0	Nozzle kpl. 75047	1.000	ST		GREEN
		<b>Item text1:</b> 047				



## 50 Electric box

POS	Article no.	Description	Quantity	Unit
13	6.649-904.0	Cable with plug	1.000	ST
	<b>Item text1:</b> 1.398-804.0			
13	6.648-997.0	Cable with plug *GB	1.000	ST
	<b>Item text1:</b> 1.398-805.0 /-807.0			
13	6.648-969.0	Cable with plug H05 VV-F 3G1/5,6m *EU	1.000	ST
	<b>Item text1:</b> 1.398-800.0 /-801.0 /-802.0 /-803.0			
	<b>Item text2:</b> /-806.0			
11	6.661-298.0	Capacitor 40µF	1.000	ST
10	6.273-194.0	Cord cellular rubber	1.000	ST
8	4.063-831.0	Cover electric box	1.000	ST
14	4.800-852.0	Electric box complete	1.000	ST
2	6.631-946.0	Micro switch	1.000	ST
4	6.506-019.0	O-Ring seal 3,68X 1,78	1.000	ST
15	6.362-887.0	O-Ring seal 65,0 X 2,5	1.000	ST
1	5.337-027.0	Plate spring	1.000	ST
3	4.047-003.0	Rocker switch complete	1.000	ST
7	6.303-125.0	Screw 5x20-Sonder In6Rd+Spitze	4.000	ST
9	7.303-031.0	Screw M4x10 -St-P2R (In6Rd)	1.000	ST
12	7.303-048.0	Screw M6x20 -St-R3R (In6Rd)	2.000	ST
6	5.100-192.0	Selector shaft	1.000	ST
5	5.115-610.0	Washer	1.000	ST



#### 14 Electric box complete (4.800-852.0)

---

<b>POS</b>	<b>Article no.</b>	<b>Description</b>	<b>Quantity</b>	<b>Unit</b>
98	6.506-019.0	O-Ring seal 3,68X 1,78	1.000	ST
21	4.047-003.0	Rocker switch complete	1.000	ST
46	5.115-610.0	Washer	1.000	ST