

Spare parts list

(1.524-220.0) HD 7/18-4 M *EU-I

Table of contents

HD 7/18-4 M *EU-I (1.524-220.0)	4
Spare parts list high-pressure HD 7/18-4 (5.972-050.0)	5
10 Housing	6
10 Cover cleaning agents complete (4.060-866.0)	8
20 Pump set	10
21 Cylinder head	11
5 Suction cover complete (4.064-005.0)	14
9 Pressure gauge complete (4.423-024.0)	15
10 Valve (3 Stueck) (2.884-512.0)	16
16 Valve screw (4.483-001.0)	18
27 Nozzle insert complete (4.769-052.0)	20
28 Valve seat complete (4.481-226.0)	21
32 Spare part set (2.884-551.0)	23
33 Spare part set overflow valve (2.884-550.0)	24
37 Valve complete (4.580-594.0)	25
100 Spare parts set pump high-pressure 7/18 (2.884-883.0)	27
3 Valve (3 Stueck) (2.884-512.0)	28
22 Thrust guidance	30
7 Spare part set piston complete (4.553-245.0)	32
100 Pump set for piston HD 7/18 M (2.885-020.0)	33
14 Valve screw (4.483-001.0)	34
30 Motor	36
31 Transmission	37
Motor complete (4.623-711.0)	39
6 Piece of tube	40
32 Ventilation	41
Motor complete (4.623-711.0)	43
6 Piece of tube	44
40 Accessories	45
41 Hand trigger gun	46
1 HAND TRIGGER GUN EASY PRESS (4.775-463.0)	48
9002 Lever complete (4.481-209.0)	50
4 Lever complete (4.481-209.0)	52
42 Rotary controller	54
43 High pressure hose	56
1 Hose assembly standard DN6 25MPa 10m (6.391-238.0)	58
44 Jet pipe	60
1 Jet pipe packaged only for replacement (4.760-660.0)	62

Table of contents

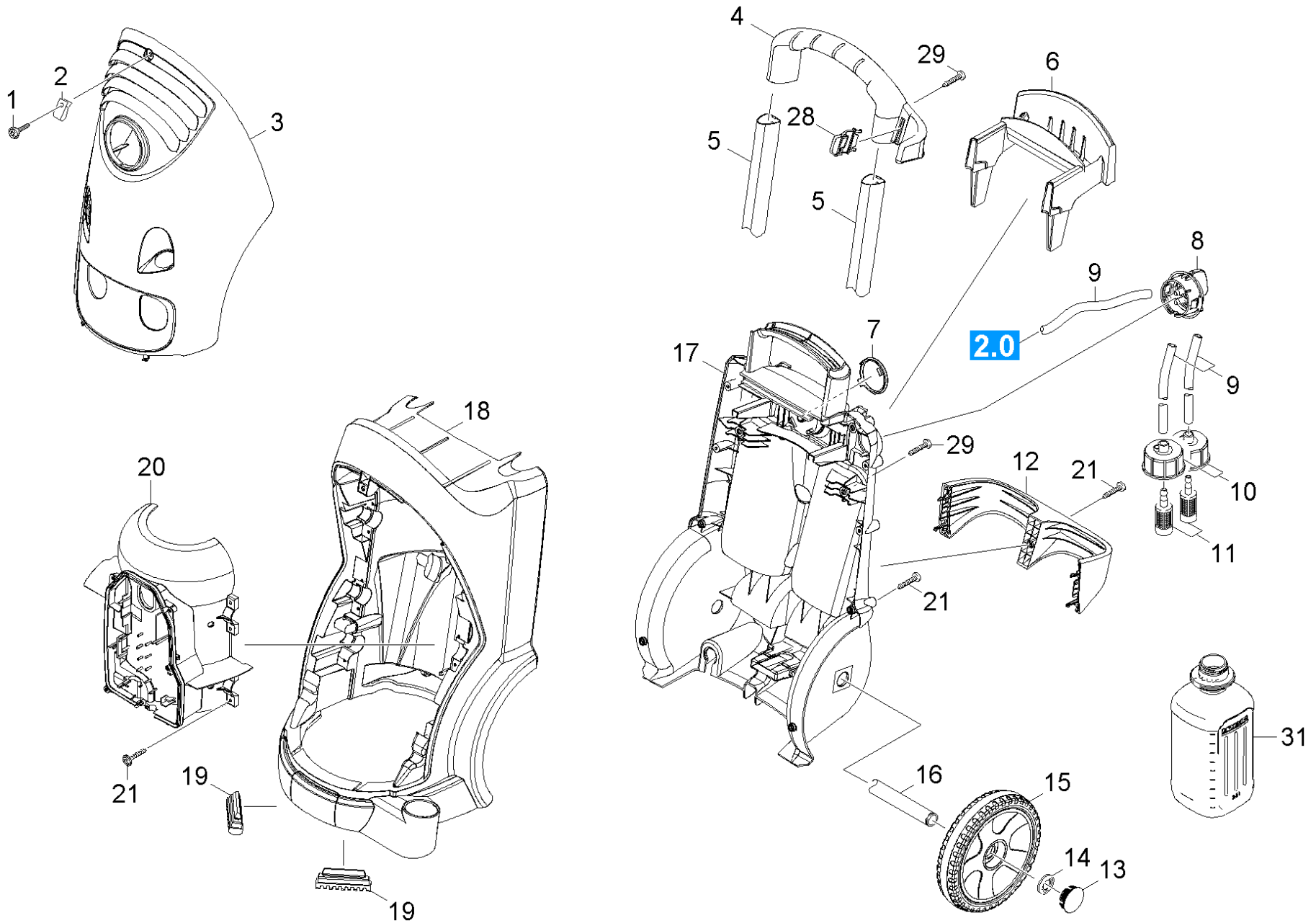
45 Triple jet nozzle	64
Triple jet nozzle only for replacement 0 (4.767-151.0)	66
2 Spare parts list triple jet nozzle (5.970-837.0)	67
10 Triple jet nozzle plastics	68
20 Triple jet nozzle brass	70
50 Electric box	72

HD 7/18-4 M *EU-I (1.524-220.0)

POS	Article no.	Description	Quantity	Unit
0	5.972-050.0	Spare parts list high-pressure HD 7/18-4	1.000	ST

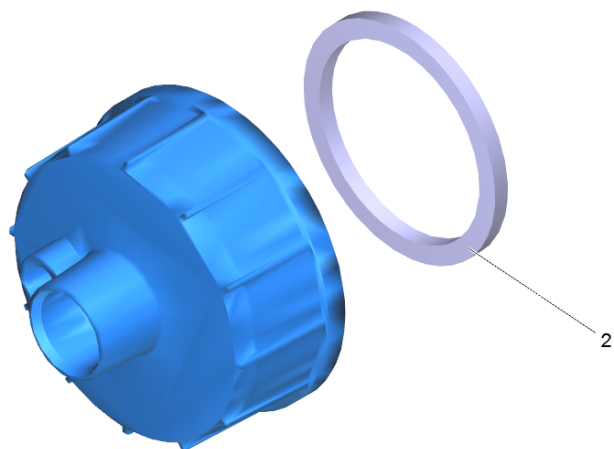
Spare parts list high-pressure HD 7/18-4 (5.972-050.0)

POS	Description	Quantity	Unit
10	Housing	1.000	ST
20	Pump set	1.000	ST
30	Motor	1.000	ST
40	Accessories	1.000	ST
50	Electric box	1.000	ST



10 Housing

POS	Article no.	Description	Quantity	Unit	Foot note text
1	6.304-099.0	Saucer-head screw M 6x 18-4.8-R2R	1.000	ST	
2	6.310-053.0	Putting nut	1.000	ST	
3	4.069-025.0	Cover HD Basis/Mittelklasse Anthrazit	1.000	ST	
4	5.321-751.0	Handhold	1.000	ST	
5	5.107-262.0	Bar	2.000	ST	
6	5.044-735.0	Holder	1.000	ST	
7	5.032-475.0	Covering cap cover	1.000	ST	
8	4.580-645.0	Proportioning valve chemistry	1.000	ST	
9	6.388-216.0	Hose DN 5	1.000	M	TO ORDER AS CUT GOODS
10	4.060-866.0	Cover cleaning agents complete	2.000	ST	
11	5.731-652.0	Filter with weight	2.000	ST	
12	5.032-747.0	Retaining bracket	1.000	ST	
13	2.889-086.0	Set wheel cap	1.000	ST	SET OF 2 PIECES
14	6.343-217.0	Clamping washer D25	2.000	ST	
15	4.515-320.0	Wheel complete	1.000	ST	SET OF 2 PIECES
16	5.105-413.0	Axle	1.000	ST	
17	5.050-431.0	Frame rear panel	1.000	ST	
18	5.050-258.3	Frame front part	1.000	ST	
19	5.057-062.0	Support	2.000	ST	
20	5.692-075.0	Air circulation	1.000	ST	
21	7.303-108.0	Screw 5x20 -10.9-R2R (In6Rd)	19.000	ST	
28	5.044-216.0	Holder	1.000	ST	
29	7.303-048.0	Screw M6x20 -St-R3R (In6Rd)	8.000	ST	
31	6.394-491.0	Bottle PE 2,5 L	2.000	ZST	

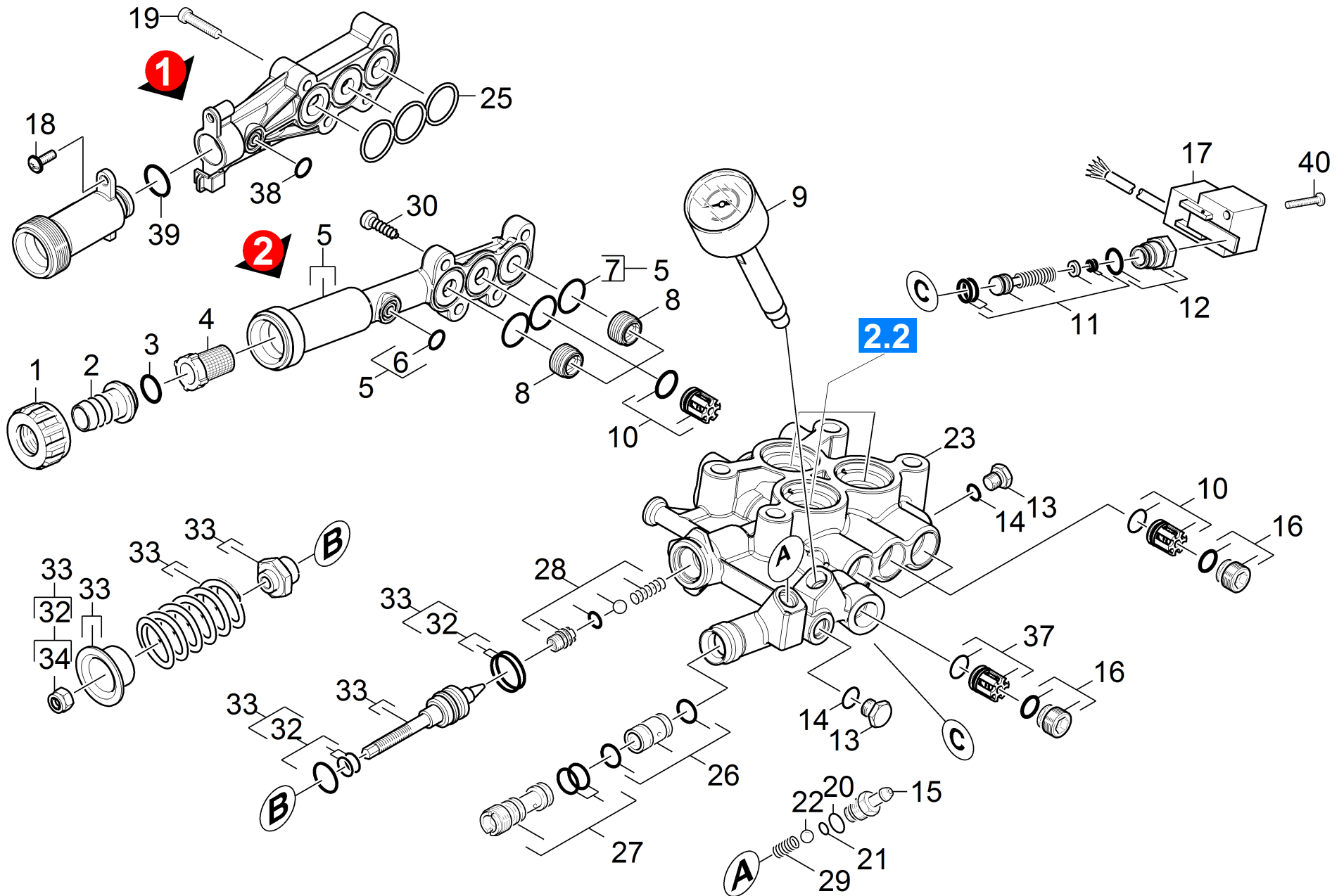


10 Cover cleaning agents complete (4.060-866.0)

POS	Article no.	Description	Quantity	Unit
2	6.363-304.0	Seal	1.000	ST

20 Pump set

POS	Description	Quantity	Unit
21	Cylinder head	1.000	ST
22	Thrust guidance	1.000	ST



21 Cylinder head

POS	Article no.	Description	Quantity	Unit
1	5.310-076.0	Nut	1.000	ST
2	5.443-291.0	Hose stem	1.000	ST
3	6.362-161.0	O-Ring seal 19,3 X 2,4	1.000	ST
4	6.414-141.0	Strainer	1.000	ST
5	4.064-005.0	Suction cover complete	1.000	ST
6	6.362-388.0	O-Ring seal 8,0x1,5 -EPDM 70	1.000	ST
7	6.363-536.0	O-Ring seal 21x1,5	3.000	ST
8	5.583-177.0	Valve screw M20x1	3.000	ST
9	4.423-024.0	Pressure gauge complete	1.000	ST
10	2.884-512.0	Valve (3 Stueck)	1.000	ST
11	2.884-869.0	Spare part set control piston	1.000	ST
12	4.411-011.0	Spare part set HD 7/18 M	1.000	ST
13	5.411-070.0	Screw plug	2.000	ST
14	6.362-690.0	O-Ring seal 7x2 - NBR 70	2.000	ST
15	5.443-624.0	Nipple	1.000	ST
16	4.483-001.0	Valve screw	4.000	ST
17	6.635-493.0	2-Phases-Switch	1.000	ST
18	7.303-108.0	Screw 5x20 -10.9-R2R (In6Rd)	1.000	ST
19	7.306-118.0	Screw M 6x35 -8.8-R3R (In6Rd)	4.000	ST
20	6.362-690.0	O-Ring seal 7x2 - NBR 70	1.000	ST
21	6.363-597.0	O-Ring seal 5,28 x 1,78	1.000	ST
22	7.401-908.0	Sphere 7 G300 -1.4301 DIN 5401	1.000	ST
23	4.550-722.0	Spare part set cylinder head	1.000	ST
25	5.365-371.0	Profile gasket	1.000	ST
26	2.884-853.0	Spare part set nozzle insert	1.000	ST
27	4.769-052.0	Nozzle insert complete	1.000	ST
28	4.481-226.0	Valve seat complete	1.000	ST
29	5.332-258.0	Helical spring	1.000	ST
30	7.306-023.0	Cylinder head screw M6x25 -8.8-A2E ISO4	4.000	ST
32	2.884-551.0	Spare part set	1.000	ST
33	2.884-550.0	Spare part set overflow valve	1.000	ST
34	7.311-510.0	Hexagon nut M 8-8-A2E ISO 7040	1.000	ST
37	4.580-594.0	Valve complete	1.000	ST

21 Cylinder head

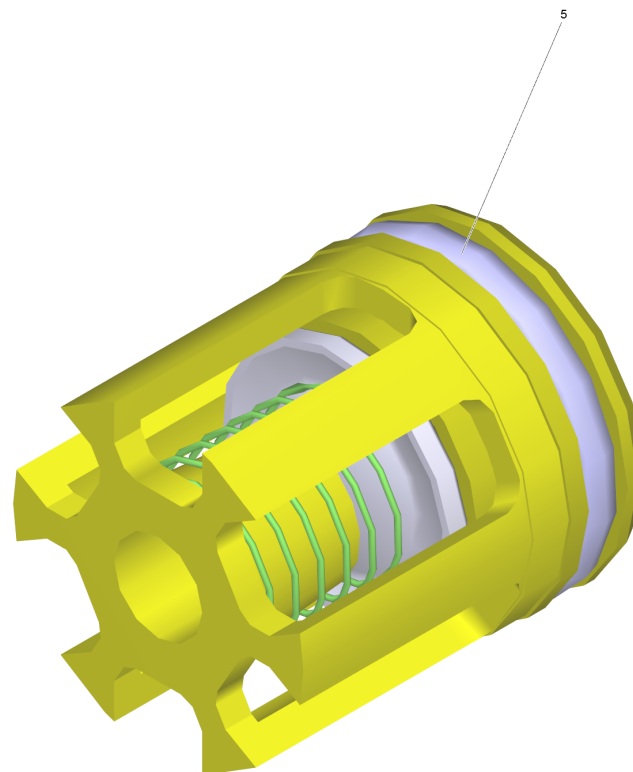
POS	Article no.	Description	Quantity	Unit
38	6.363-516.0	O-Ring seal 8,5x2	1.000	ST
39	6.362-481.0	O-Ring seal 14,0 x 2,0 NBR 80	1.000	ST
40	7.306-320.0	Oval head screw M 5x40-A2-70 ISO 7045	1.000	ST
100	2.884-883.0	Spare parts set pump high-pressure 7/18	1.000	ST

5 Suction cover complete (4.064-005.0)

POS	Article no.	Description	Quantity	Unit
2	6.363-536.0	O-Ring seal 21x1,5	3.000	ST
3	6.362-388.0	O-Ring seal 8,0x1,5 -EPDM 70	1.000	ST
4	6.590-002.0	Bag PE 150x230 mm	1.000	ST
5	6.376-036.0	Label spare parts neutrally 65x55 MM	1.000	ZST

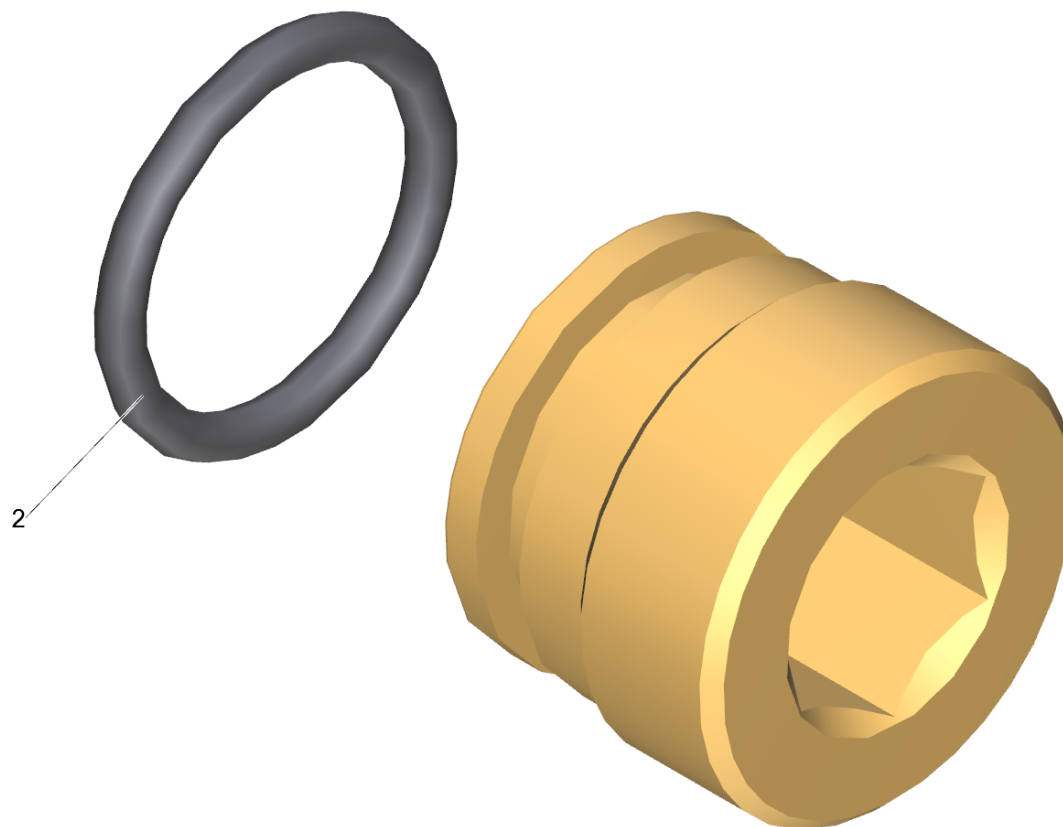
9 Pressure gauge complete (4.423-024.0)

POS	Article no.	Description	Quantity	Unit
3	6.376-036.0	Label spare parts neutrally 65x55 MM	2.000	ZST



10 Valve (3 Stueck) (2.884-512.0)

POS	Article no.	Description	Quantity	Unit
5	6.363-003.0	O-Ring seal 13,0 X 2,0-NBR 90	1.000	ST

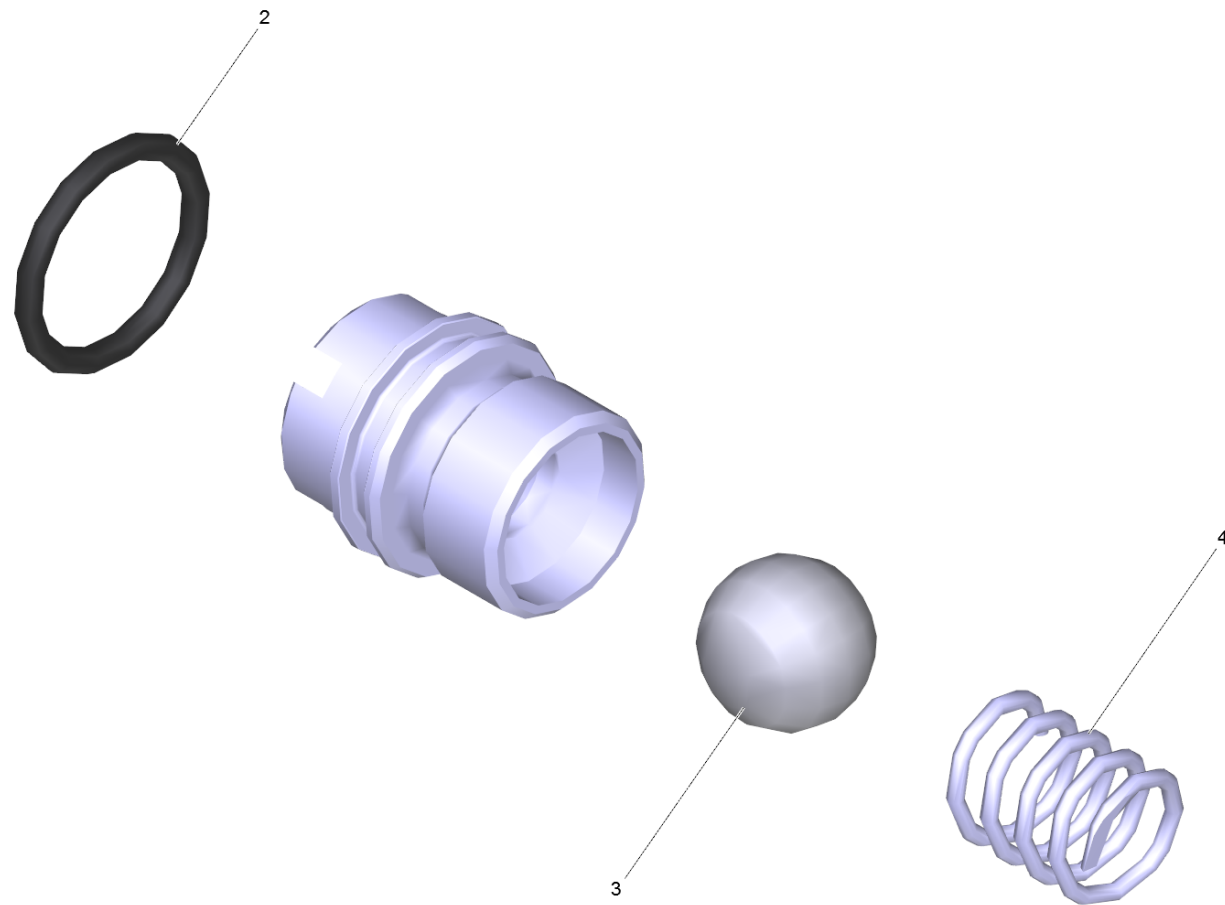


16 Valve screw (4.483-001.0)

POS	Article no.	Description	Quantity	Unit
2	6.362-481.0	O-Ring seal 14,0 x 2,0 NBR 80	1.000	ST

27 Nozzle insert complete (4.769-052.0)

POS	Article no.	Description	Quantity	Unit
1	5.769-087.0	Nozzle insert black PVDF	1.000	ST
2	6.363-331.0	O-Ring seal 9,0 x 1,5	2.000	ST
3	6.590-004.0	Bag PE 80x100 mm	1.000	ST
4	6.376-036.0	Label spare parts neutrally 65x55 MM	1.000	ZST



28 Valve seat complete (4.481-226.0)

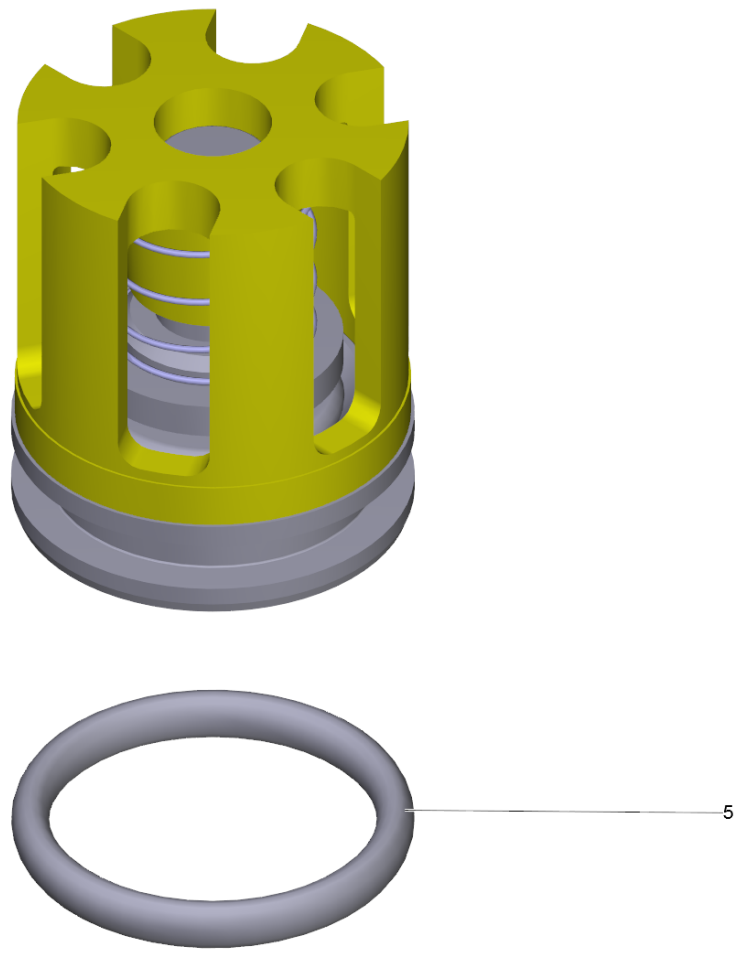
POS	Article no.	Description	Quantity	Unit
2	6.362-858.0	O-Ring seal 11,0 X 1,5	1.000	ST
3	7.401-907.0	Sphere 3/8 G200-1.4301 DIN 5401	1.000	ST
4	5.332-999.0	Helical spring	1.000	ST

32 Spare part set (2.884-551.0)

POS	Article no.	Description	Quantity	Unit
44	6.362-365.0	O-Ring seal complete 1ST.-R.- 7,65X 1,7	1.000	ST
46	6.362-445.0	O-Ring seal 16,0 X 2,4-NBR 80	1.000	ST
47	6.362-575.0	O-Ring seal 12,42 KOMPL	1.000	ST
71	7.311-510.0	Hexagon nut M 8-8-A2E ISO 7040	1.000	ST
101	6.376-036.0	Label spare parts neutrally 65x55 MM	2.000	ZST

33 Spare part set overflow valve (2.884-550.0)

POS	Article no.	Description	Quantity	Unit
7	5.112-757.0	Bush	1.000	ST
16	5.332-530.0	Helical spring	1.000	ST
44	6.362-365.0	O-Ring seal complete 1ST.-R.- 7,65X 1,7	1.000	ST
46	6.362-445.0	O-Ring seal 16,0 X 2,4-NBR 80	1.000	ST
47	6.362-575.0	O-Ring seal 12,42 KOMPL	1.000	ST
71	7.311-510.0	Hexagon nut M 8-8-A2E ISO 7040	1.000	ST
145		Grease	0.010	G
151	6.376-036.0	Label spare parts neutrally 65x55 MM	2.000	ZST

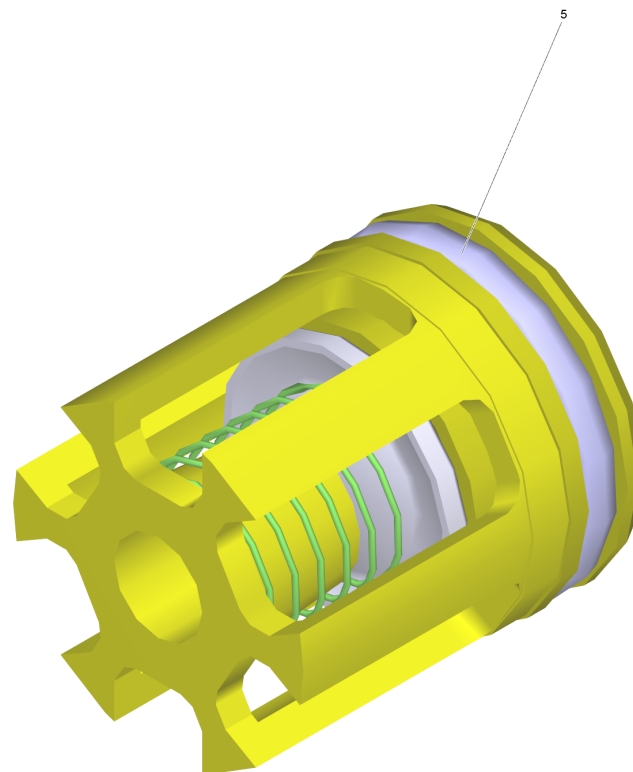


37 Valve complete (4.580-594.0)

POS	Article no.	Description	Quantity	Unit
5	6.362-381.0	O-Ring seal 13x2 - NBR 70	1.000	ST

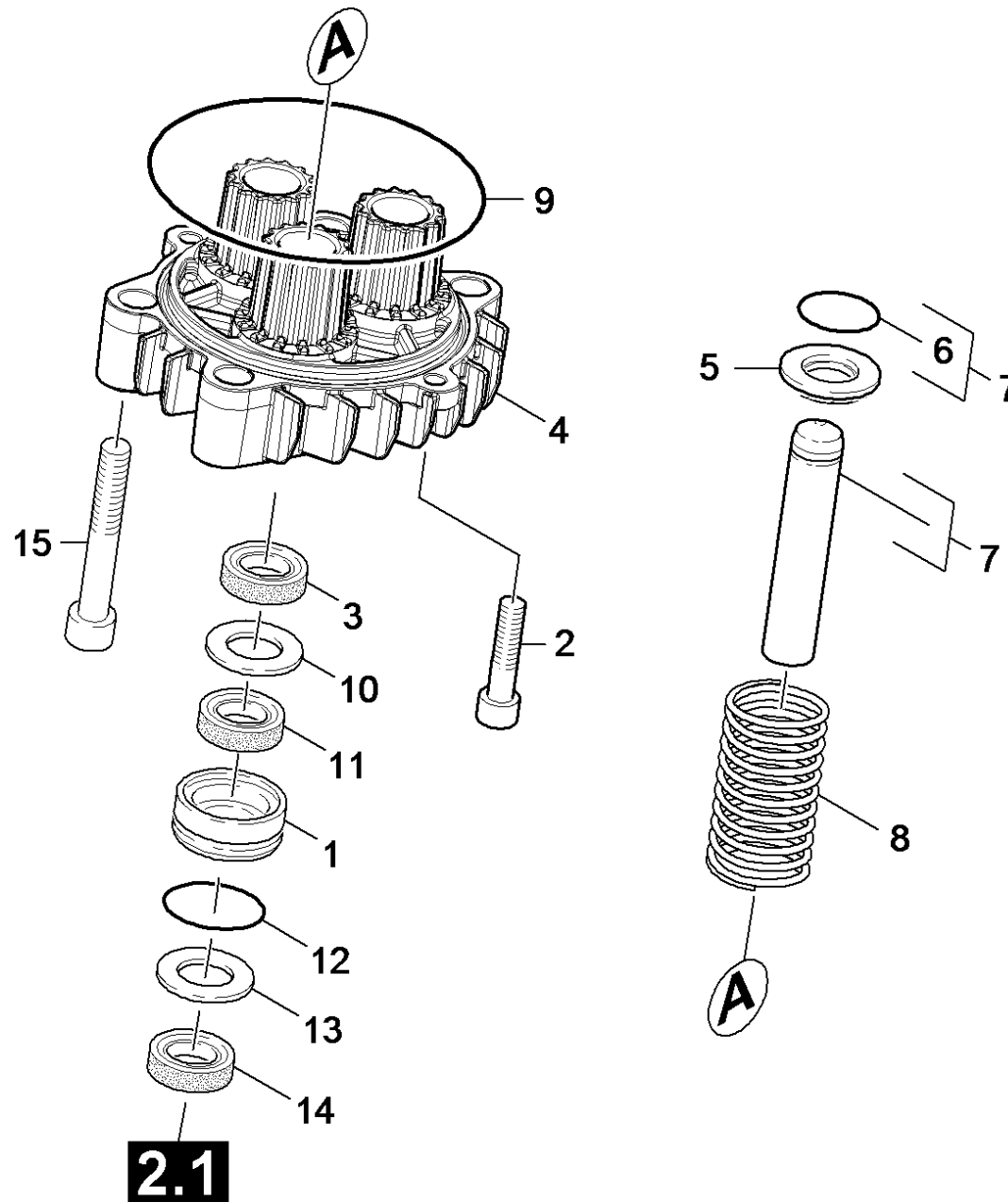
100 Spare parts set pump high-pressure 7/18 (2.884-883.0)

POS	Article no.	Description	Quantity	Unit
1	6.362-388.0	O-Ring seal 8,0x1,5 -EPDM 70	1.000	ST
2	6.362-547.0	O-Ring seal 20,0x1,5-NBR 70	3.000	ST
3	2.884-512.0	Valve (3 Stueck)	2.000	ST
4	5.112-340.3	Bush	3.000	ST
5	6.365-332.0	Compact seal 18x28x5,8	3.000	ST
6	5.115-431.0	Washer	3.000	ST
7	6.362-406.0	O-Ring seal 33,05X 1,78-NBR 70	3.000	ST
8	5.115-432.0	Washer	3.000	ST
9	6.365-333.0	Grooved ring 18X26X5,4	3.000	ST
10	6.288-072.0	Silicon grease	1.000	ST
12	6.376-036.0	Label spare parts neutrally 65x55 MM	2.000	ZST
13	6.590-002.0	Bag PE 150x230 mm	2.000	ST



3 Valve (3 Stueck) (2.884-512.0)

POS	Article no.	Description	Quantity	Unit
5	6.363-003.0	O-Ring seal 13,0 X 2,0-NBR 90	1.000	ST



22 Thrust guidance

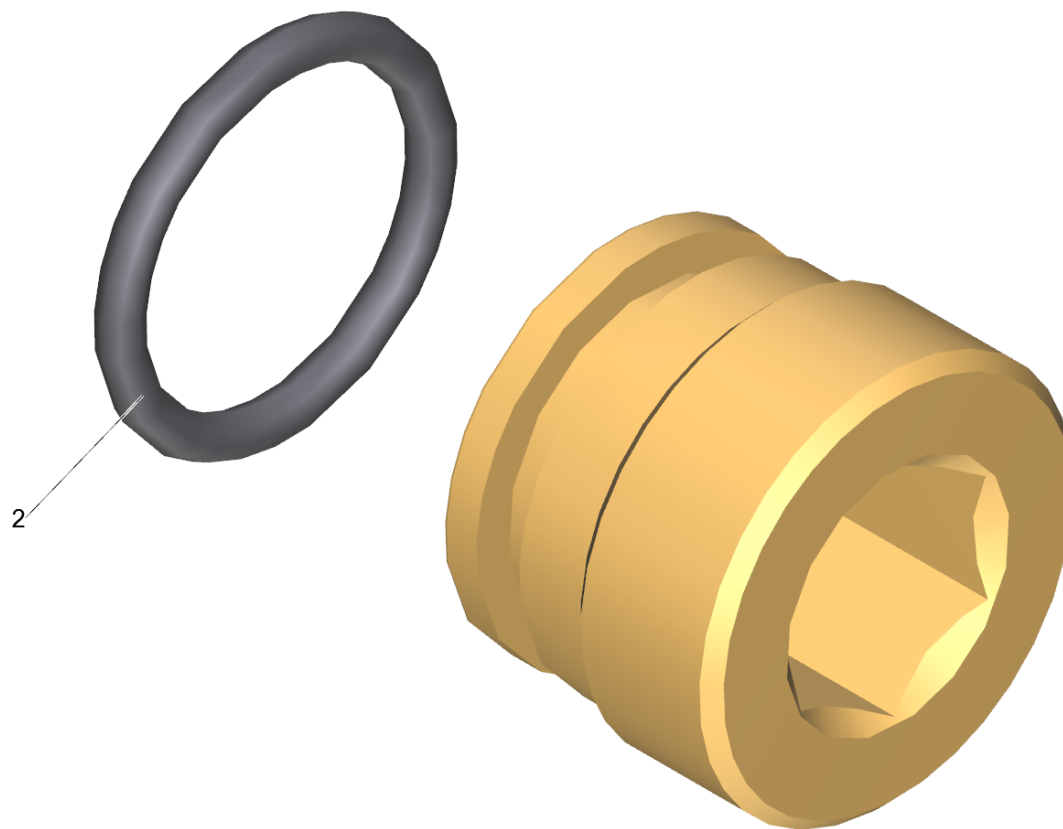
POS	Article no.	Description	Quantity	Unit
1	5.112-340.3	Bush	3.000	ST
2	7.306-094.0	Screw M6x25 -8.8-R3R (In6Rd)	2.000	ST
3	6.365-334.0	Grooved ring 18X26X6/8	3.000	ST
4	4.061-017.0	Housing -nur für Ersatz-	1.000	ST
5	5.116-134.0	Washer	3.000	ST
6	7.343-473.0	Snap ring 18 -FST DIN 9925	3.000	ST
7	4.553-245.0	Spare part set piston complete	3.000	ST
8	5.332-529.0	Helical spring	3.000	ST
9	6.362-963.0	O-Ring seal 88,57X 2,62	1.000	ST
	Item text1: 1.524-220.0/-222.0/-223/-910.0/-912.0/			
	Item text2: -913.0			
9	6.362-102.0	O-Ring seal 90,0 X 3,0	1.000	ST
	Item text1: 1.524-201.0/-208.0/-210/-211.0/-225.0/			
	Item text2: -914.0			
10	5.115-432.0	Washer	3.000	ST
11	6.365-332.0	Compact seal 18x28x5,8	3.000	ST
12	6.362-406.0	O-Ring seal 33,05X 1,78-NBR 70	3.000	ST
13	5.115-431.0	Washer	3.000	ST
14	6.365-333.0	Grooved ring 18X26X5,4	3.000	ST
15	7.306-807.0	Cylinder head screw M10x85-8.8-A3E ISO4	4.000	ST
100	2.885-020.0	Pump set for piston HD 7/18 M	1.000	ST

7 Spare part set piston complete (4.553-245.0)

POS	Article no.	Description	Quantity	Unit
2	7.343-473.0	Snap ring 18 -FST DIN 9925	1.000	ST
3	6.591-051.0	Sliding collar 20	1.000	ST

100 Pump set for piston HD 7/18 M (2.885-020.0)

POS	Article no.	Description	Quantity	Unit
1	6.365-332.0	Compact seal 18x28x5,8	3.000	ST
2	5.115-432.0	Washer	3.000	ST
3	5.115-431.0	Washer	3.000	ST
5	6.288-072.0	Silicon grease	1.000	ST
6	6.362-388.0	O-Ring seal 8,0x1,5 -EPDM 70	1.000	ST
9	6.365-334.0	Grooved ring 18X26X6/8	3.000	ST
10	6.365-333.0	Grooved ring 18X26X5,4	6.000	ST
11	6.590-002.0	Bag PE 150x230 mm	2.000	ST
13	6.376-036.0	Label spare parts neutrally 65x55 MM	2.000	ZST
14	4.483-001.0	Valve screw	4.000	ST
16	6.362-547.0	O-Ring seal 20,0x1,5-NBR 70	3.000	ST
17	5.112-340.3	Bush	3.000	ST
18	4.580-295.0	Valve complete	6.000	ST

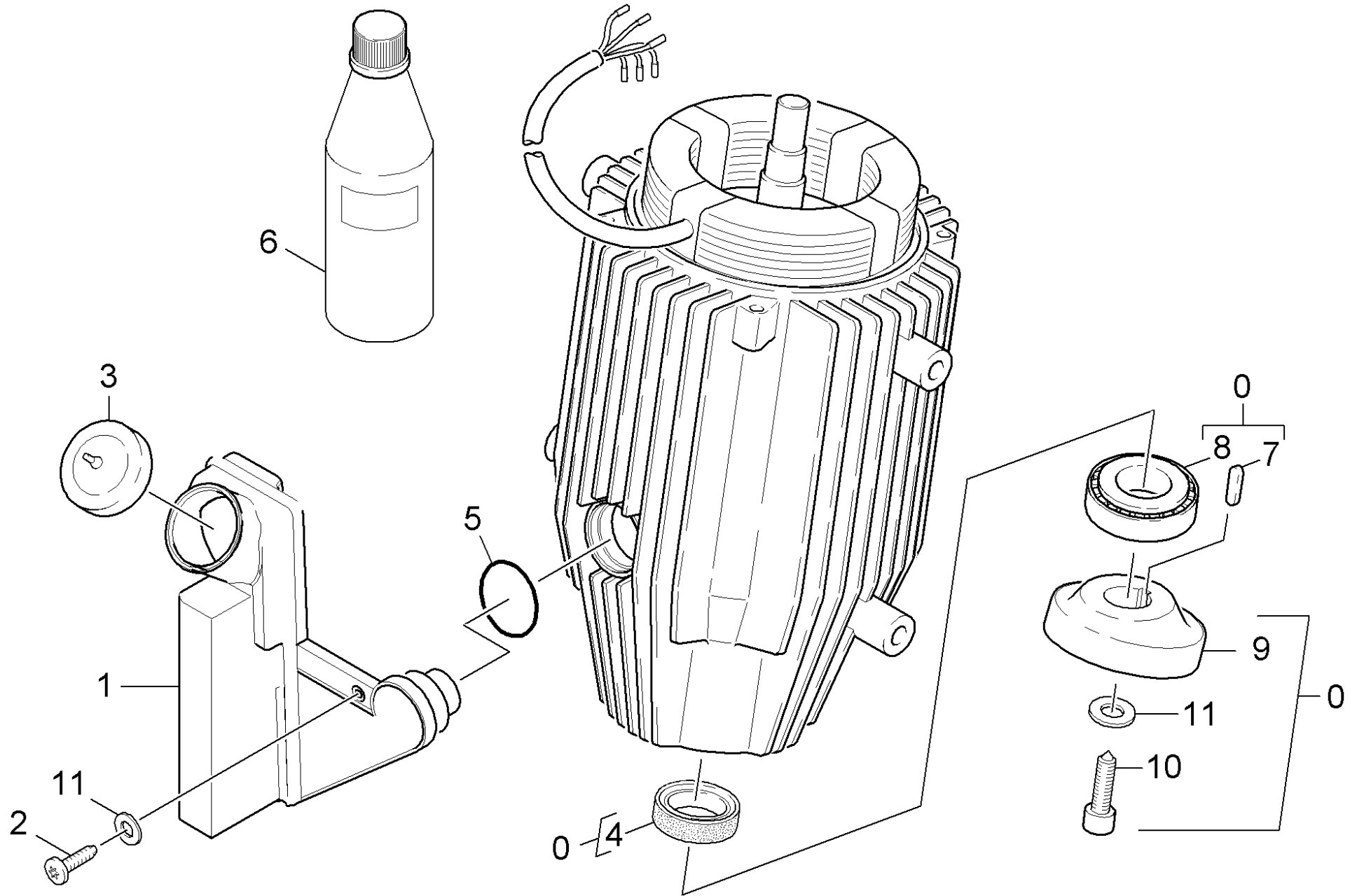


14 Valve screw (4.483-001.0)

POS	Article no.	Description	Quantity	Unit
2	6.362-481.0	O-Ring seal 14,0 x 2,0 NBR 80	1.000	ST

30 Motor

POS	Description	Quantity	Unit
31	Transmission	1.000	ST
32	Ventilation	1.000	ST



31 Transmission

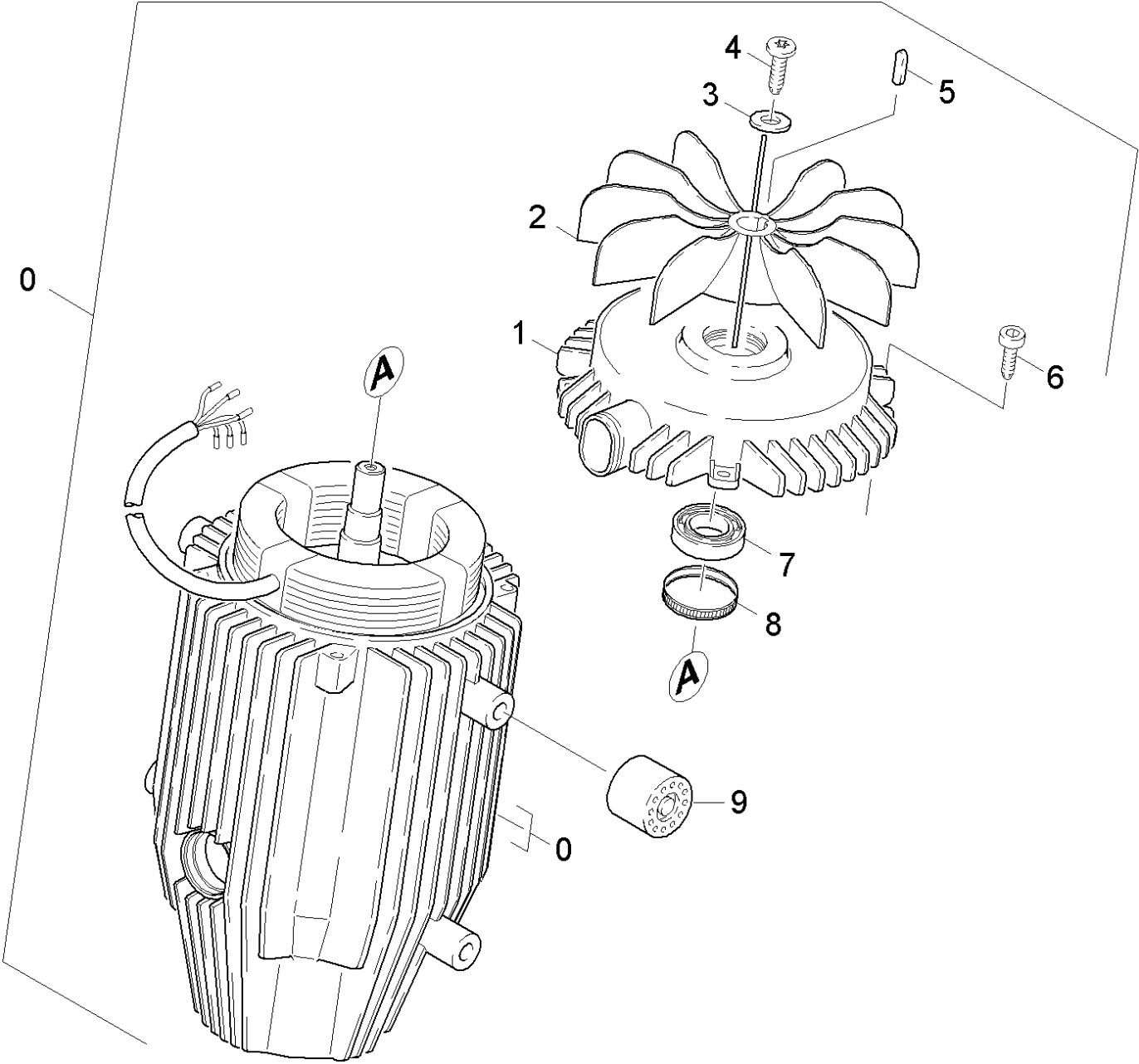
POS	Article no.	Description	Quantity	Unit
0	4.623-711.0	Motor complete	1.000	ST
1	5.070-658.0	Tank oil	1.000	ST
2	6.303-320.0	Screw M 5x 20-St-R2R	1.000	ST
3	5.064-457.0	cover plate qusty grey oil	1.000	ST
4	7.367-156.0	Radial shaft seal ring A30x40x7-NBR DIN	1.000	ST
5	6.362-722.0	O-Ring seal 28,0 X 3,0	1.000	ST
6	6.288-016.0	Gear oil 1L	1.000	ST
7	7.318-070.0	Parallel key 5x5x20-C45R DIN 6885-1	1.000	ST
8	6.401-399.0	Taper roller bearing	1.000	ST
9	4.120-215.0	Wobble plate	1.000	ST
10	7.306-092.0	Screw M6x20-ST- 8.8-R3R (IN6RD)	2.000	ST
11	7.312-260.0	Washer 6 -100HV-A3E ISO 7094	2.000	ST

Motor complete (4.623-711.0)

POS	Article no.	Description	Quantity	Unit
2	5.063-707.0	Bearing cover B	1.000	ST
5		Rating plate 20x60	1.000	ST
6		Piece of tube	1.000	ST
8	5.600-046.0	Blower wheel	1.000	ST
10	6.303-265.0	Self-tapping screw M6x20	4.000	ST
11	6.343-171.0	Tolerance ring	1.000	ST
15	7.306-092.0	Screw M6x20-ST- 8.8-R3R (IN6RD)	2.000	ST
16	7.312-260.0	Washer 6 -100HV-A3E ISO 7094	2.000	ST
18	7.313-003.0	Spring washer B 6-FSt-A3E DIN 127	1.000	ST
19	7.318-070.0	Parallel key 5x5x20-C45R DIN 6885-1	1.000	ST
20	7.318-079.0	Parallel key A 5x5x25-C45R DIN 6885	1.000	ST
21	7.367-156.0	Radial shaft seal ring A30x40x7-NBR DIN	1.000	ST
23		Taper roller bearing 31305	1.000	ST
24		Deep groove ball thrust bearing	1.000	ST
25	6.401-285.0	Ball bearing 6204 2RS	1.000	ST
27	6.288-048.0	Engine oil 15W/40	1.000	L
28	6.591-014.0	Carton 484x284x340 mm N -1c	1.000	ST
29	6.591-114.0	Paper cushion	4.000	M
30		Staples RA 3/4	16.000	ST
31	6.376-036.0	Label spare parts neutrally 65x55 MM	1.000	ZST
32		Wooden pallet EURO-POOL	0.083	ZST

6 Piece of tube

POS	Article no.	Description	Quantity	Unit
1	6.642-043.0	Insulating hose 10	0.090	M
1	6.642-043.0	Insulating hose 10	0.090	M



32 Ventilation

POS	Article no.	Description	Quantity	Unit
0	4.623-711.0	Motor complete	1.000	ST
1	5.063-707.0	Bearing cover B	1.000	ST
2	5.600-046.0	Blower wheel	1.000	ST
3	7.312-260.0	Washer 6 -100HV-A3E ISO 7094	2.000	ST
4	7.306-092.0	Screw M6x20-ST- 8.8-R3R (IN6RD)	2.000	ST
5	7.318-079.0	Parallel key A 5x5x25-C45R DIN 6885	1.000	ST
6	6.303-265.0	Self-tapping screw M6x20	4.000	ST
7	6.401-285.0	Ball bearing 6204 2RS	1.000	ST
8	6.343-171.0	Tolerance ring	1.000	ST
9	5.767-005.0	Rubber buffer	4.000	ST

Motor complete (4.623-711.0)

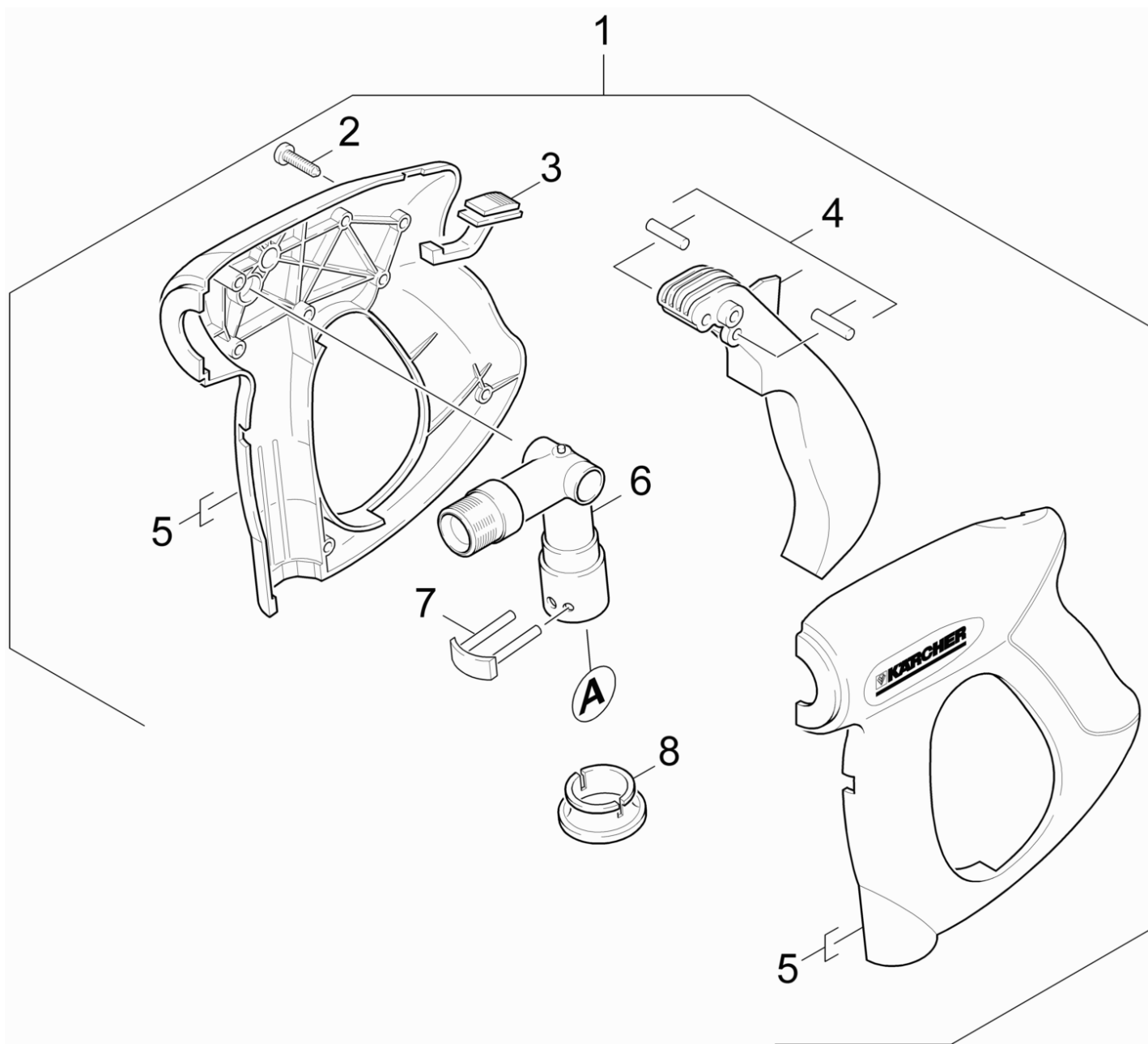
POS	Article no.	Description	Quantity	Unit
2	5.063-707.0	Bearing cover B	1.000	ST
5		Rating plate 20x60	1.000	ST
6		Piece of tube	1.000	ST
8	5.600-046.0	Blower wheel	1.000	ST
10	6.303-265.0	Self-tapping screw M6x20	4.000	ST
11	6.343-171.0	Tolerance ring	1.000	ST
15	7.306-092.0	Screw M6x20-ST- 8.8-R3R (IN6RD)	2.000	ST
16	7.312-260.0	Washer 6 -100HV-A3E ISO 7094	2.000	ST
18	7.313-003.0	Spring washer B 6-FSt-A3E DIN 127	1.000	ST
19	7.318-070.0	Parallel key 5x5x20-C45R DIN 6885-1	1.000	ST
20	7.318-079.0	Parallel key A 5x5x25-C45R DIN 6885	1.000	ST
21	7.367-156.0	Radial shaft seal ring A30x40x7-NBR DIN	1.000	ST
23		Taper roller bearing 31305	1.000	ST
24		Deep groove ball thrust bearing	1.000	ST
25	6.401-285.0	Ball bearing 6204 2RS	1.000	ST
27	6.288-048.0	Engine oil 15W/40	1.000	L
28	6.591-014.0	Carton 484x284x340 mm N -1c	1.000	ST
29	6.591-114.0	Paper cushion	4.000	M
30		Staples RA 3/4	16.000	ST
31	6.376-036.0	Label spare parts neutrally 65x55 MM	1.000	ZST
32		Wooden pallet EURO-POOL	0.083	ZST

6 Piece of tube

POS	Article no.	Description	Quantity	Unit
1	6.642-043.0	Insulating hose 10	0.090	M
1	6.642-043.0	Insulating hose 10	0.090	M

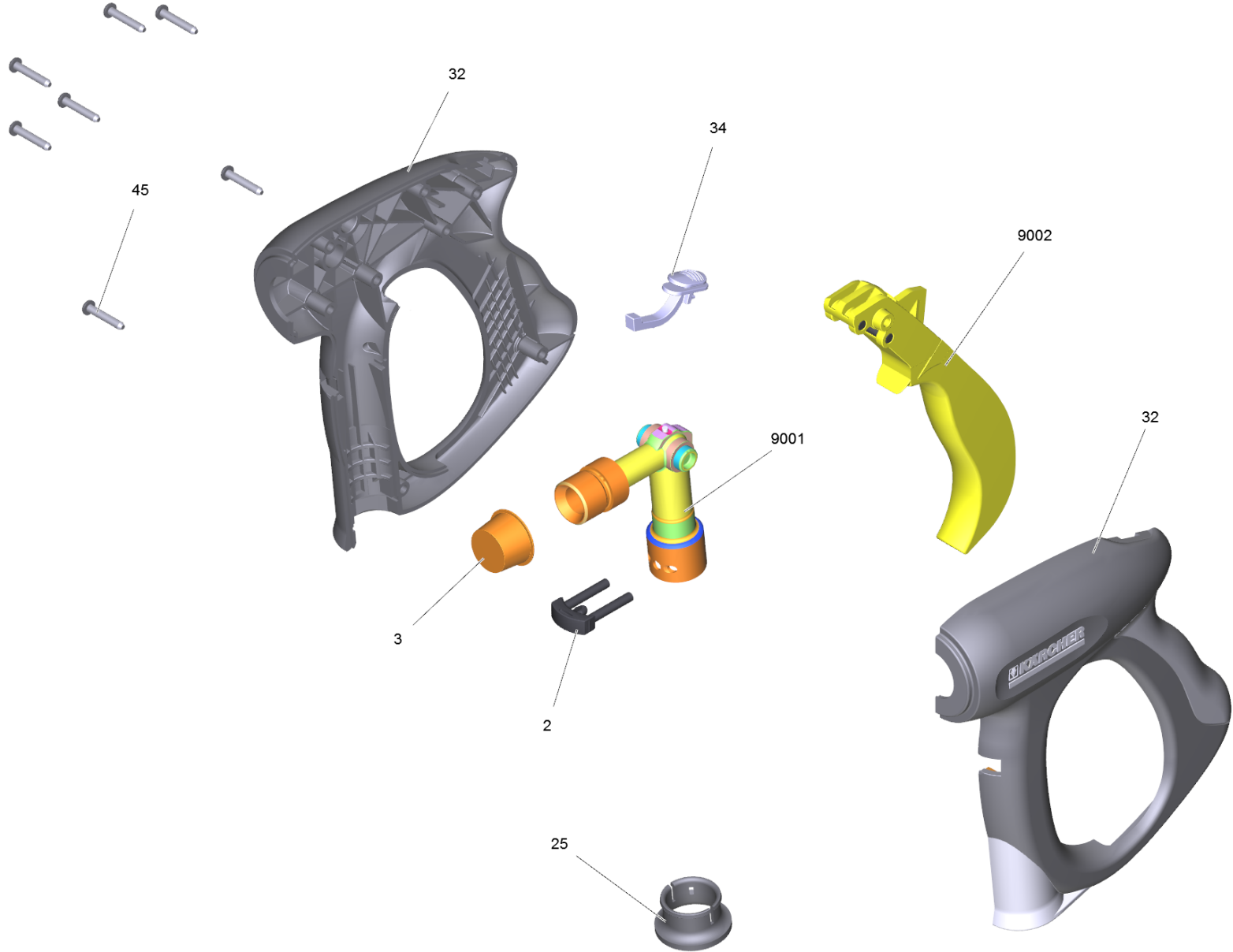
40 Accessories

POS	Description	Quantity	Unit
41	Hand trigger gun	1.000	ST
42	Rotary controller	1.000	ST
43	High pressure hose	1.000	ST
44	Jet pipe	1.000	ST
45	Triple jet nozzle	1.000	ST



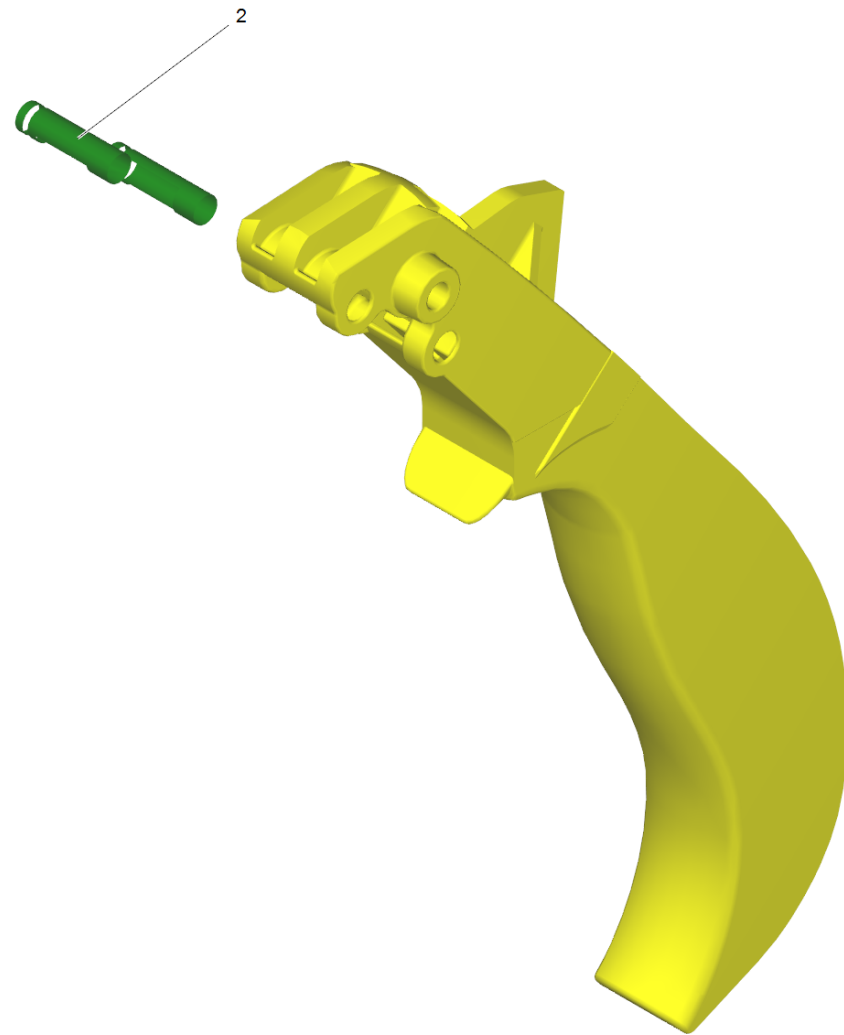
41 Hand trigger gun

POS	Article no.	Description	Quantity	Unit
1	4.775-463.0	HAND TRIGGER GUN EASY PRESS	1.000	ST
2	7.303-096.0	Screw 4x22 -ST-10.9-R2R (IN6RD)	7.000	ST
3	5.481-331.0	Slider	1.000	ST
4	4.481-209.0	Lever complete	1.000	ST
5	5.321-669.3	Handhold few	1.000	ST
6	4.427-215.0	Manifold complete only for replacement	1.000	ST
7	4.037-013.0	Hook	1.000	ST
8	5.110-596.0	Sleeve	1.000	ST



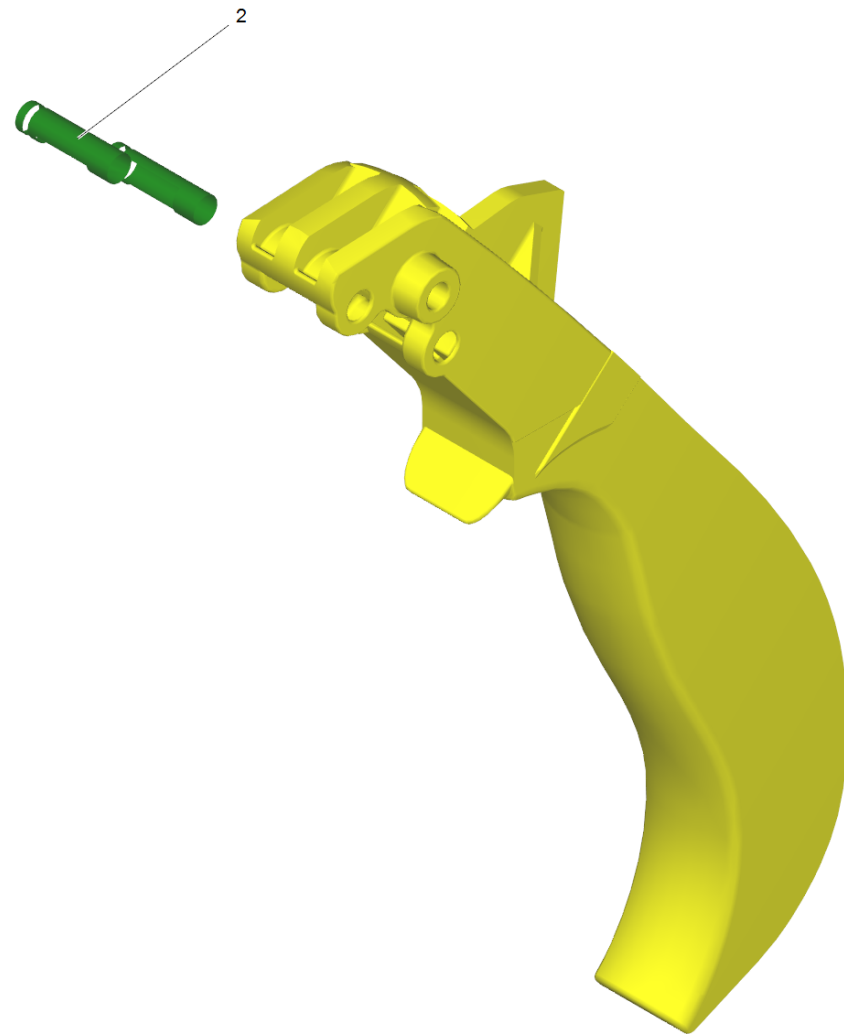
1 HAND TRIGGER GUN EASY PRESS (4.775-463.0)

POS	Article no.	Description	Quantity	Unit
2	4.037-013.0	Hook	1.000	ST
3	6.368-012.0	Protecting cap 22X1,5	1.000	ST
4	6.869-075.0	Metal bonding agent 1,5 ml	1.000	ST
25	5.110-596.0	Sleeve	1.000	ST
32	5.321-669.3	Handhold few	1.000	ST
34	5.481-331.0	Slider	1.000	ST
45	7.303-096.0	Screw 4x22 -ST-10.9-R2R (IN6RD)	7.000	ST
1041	6.288-044.0	Silicon grease 100 G	1.000	ST
9001	4.427-215.0	Manifold complete only for replacement	1.000	ST
9002	4.481-209.0	Lever complete	1.000	ST



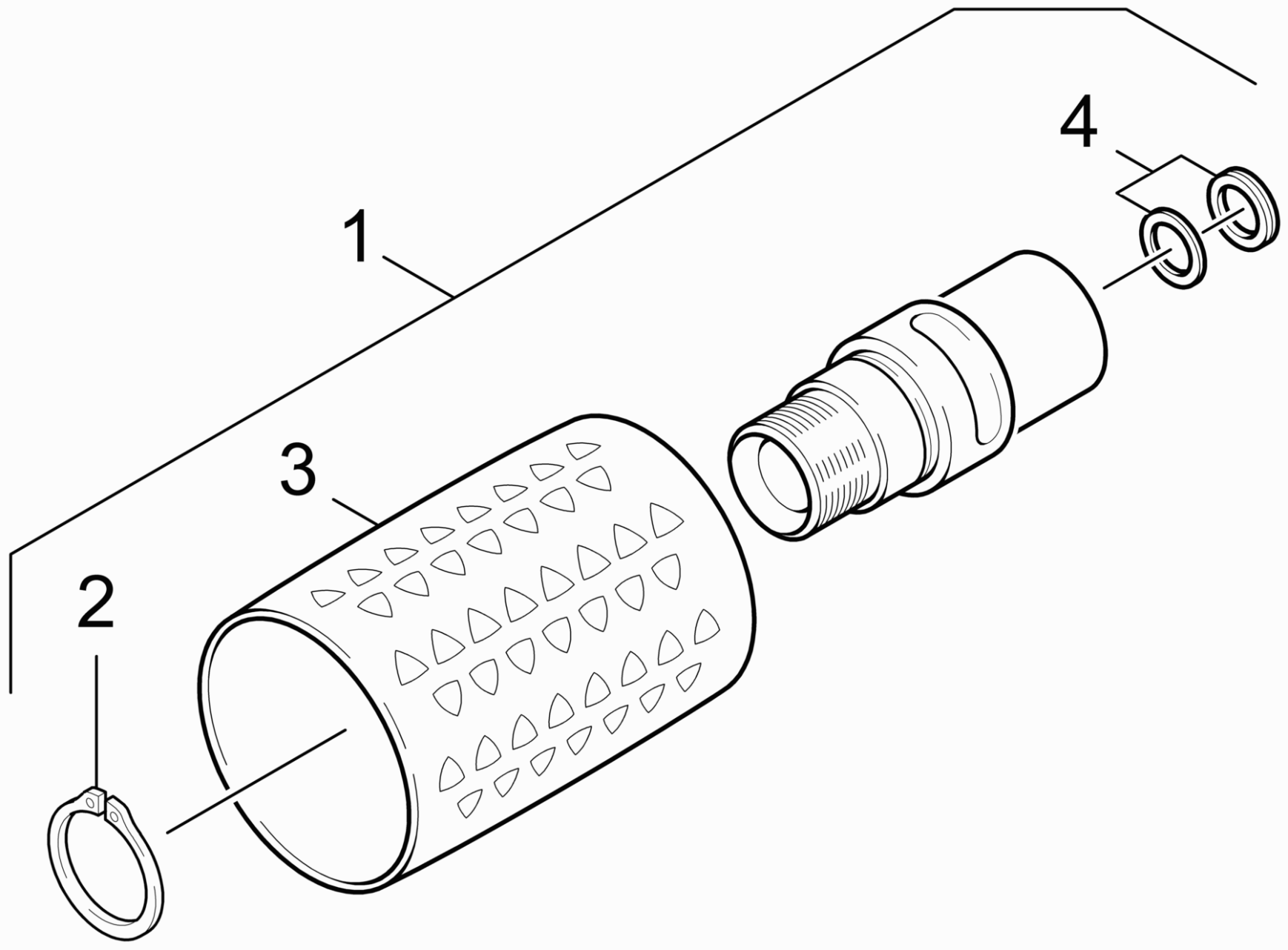
9002 Lever complete (4.481-209.0)

POS	Article no.	Description	Quantity	Unit
2	5.314-119.0	Pin	2.000	ST



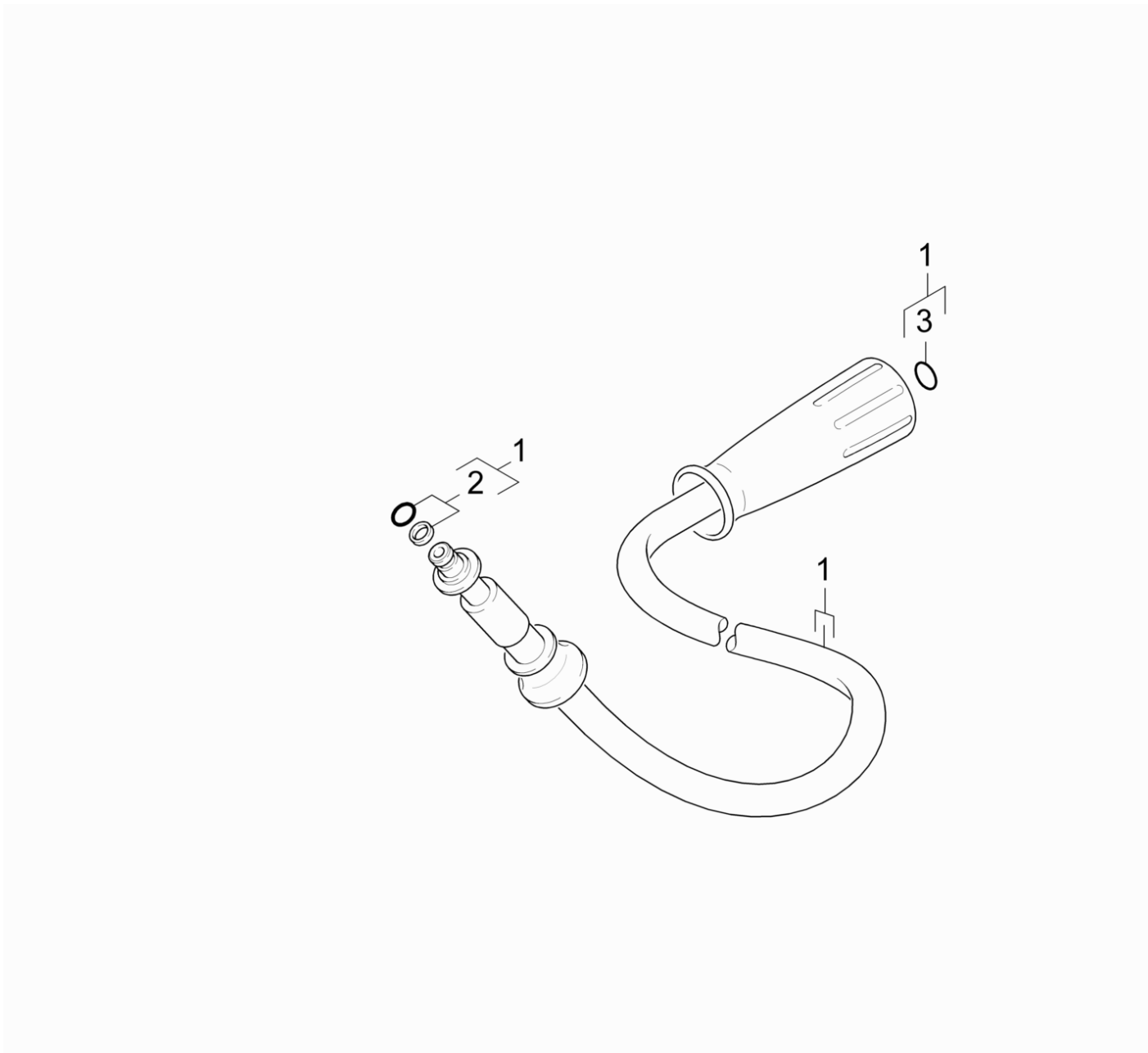
4 Lever complete (4.481-209.0)

POS	Article no.	Description	Quantity	Unit
2	5.314-119.0	Pin	2.000	ST



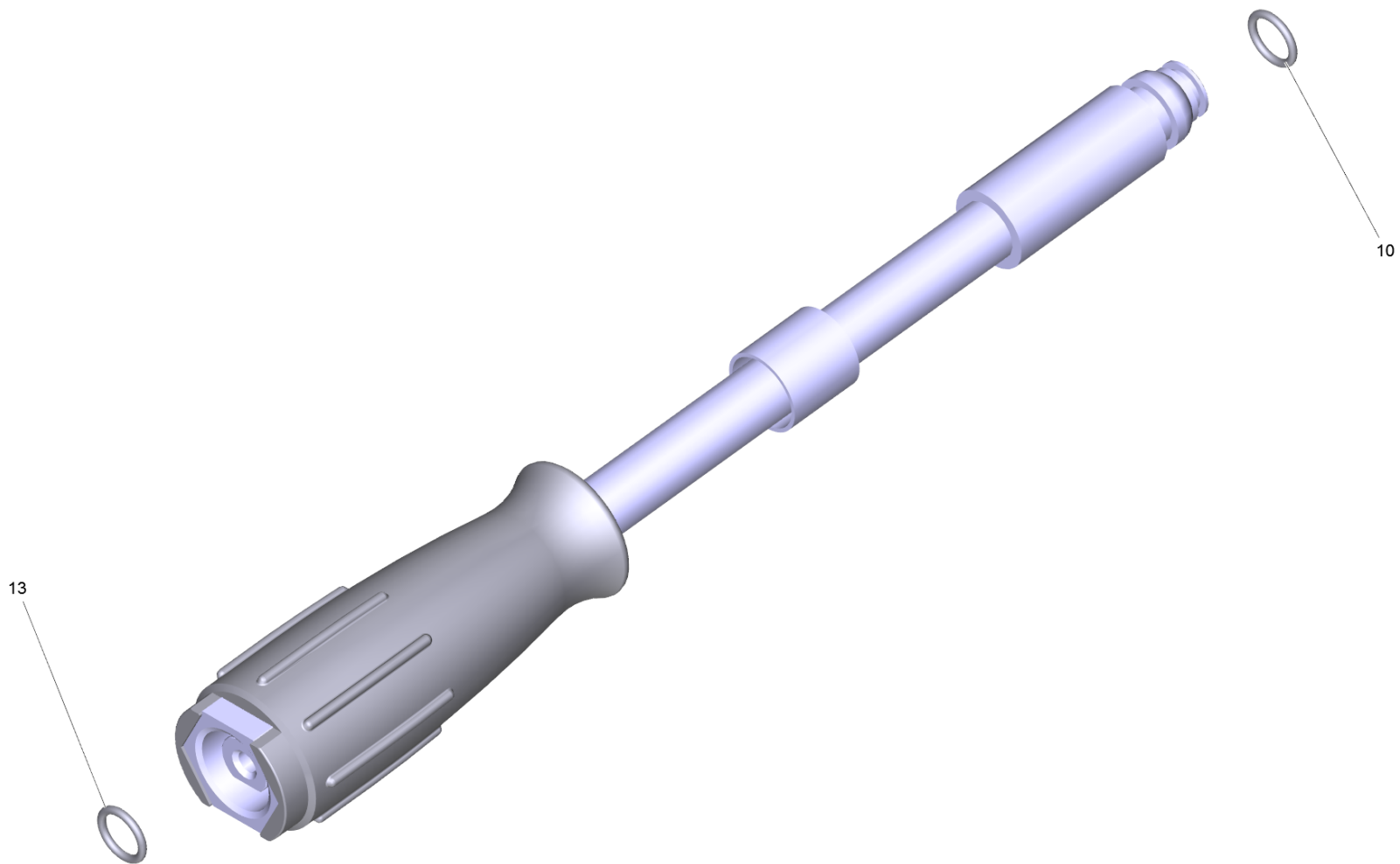
42 Rotary controller

POS	Article no.	Description	Quantity	Unit
1	4.775-526.0	Rotary controller 270 I	1.000	ST
2	7.343-069.0	Locking ring 25x1,2-1.4122 DIN 471	1.000	ST
3	5.321-668.0	Handle	1.000	ST
4	4.363-695.0	Grooved ring only for replacement	1.000	ST



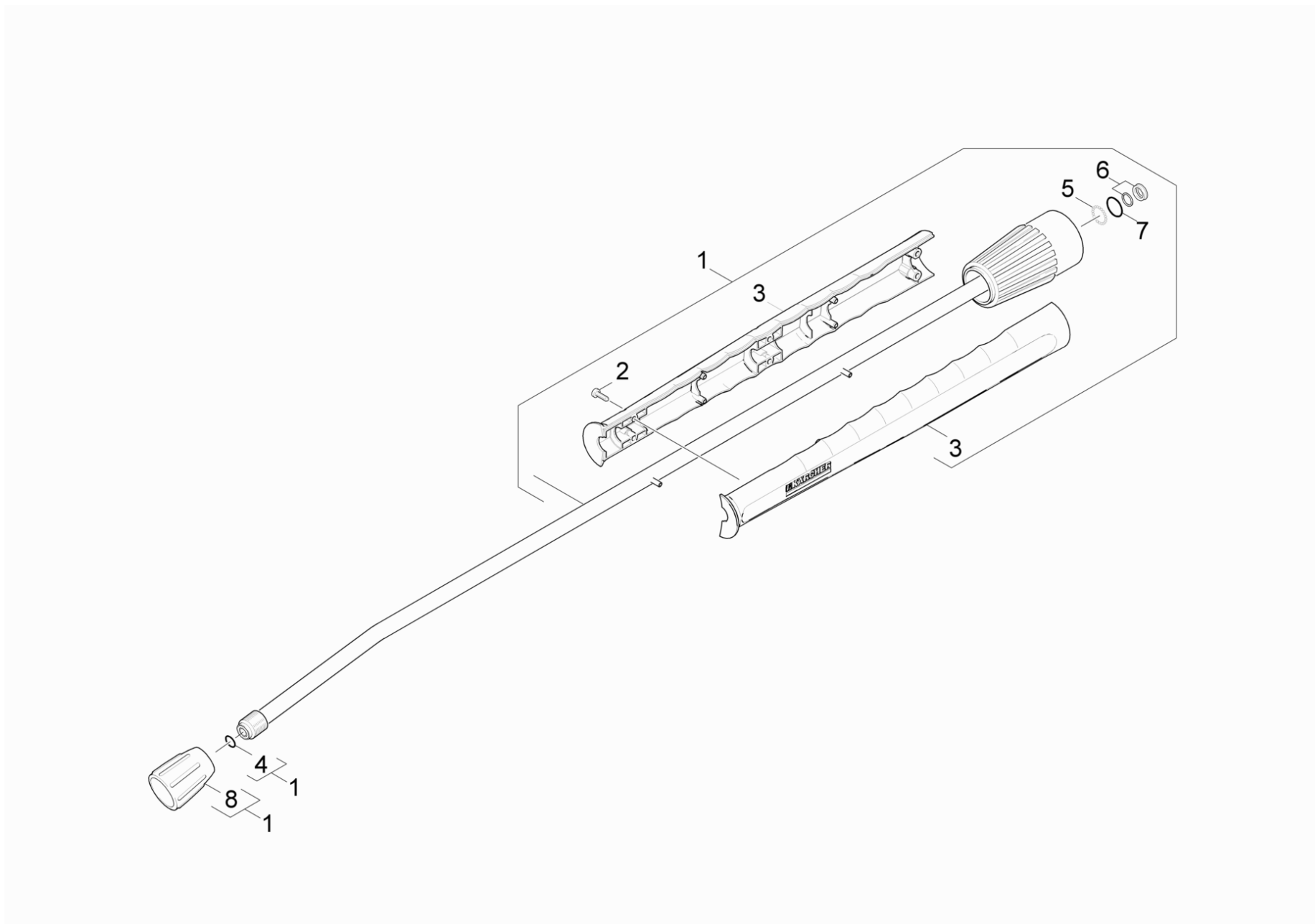
43 High pressure hose

POS	Article no.	Description	Quantity	Unit
1	6.391-238.0	Hose assembly standard DN6 25MPa 10m	1.000	ST
2	4.363-691.0	O-Ring seal kpl. -nur fuer Ersatz-	1.000	ST
3	2.880-990.0	Spare part set O-Ring 5x -Kaercher	1.000	ST



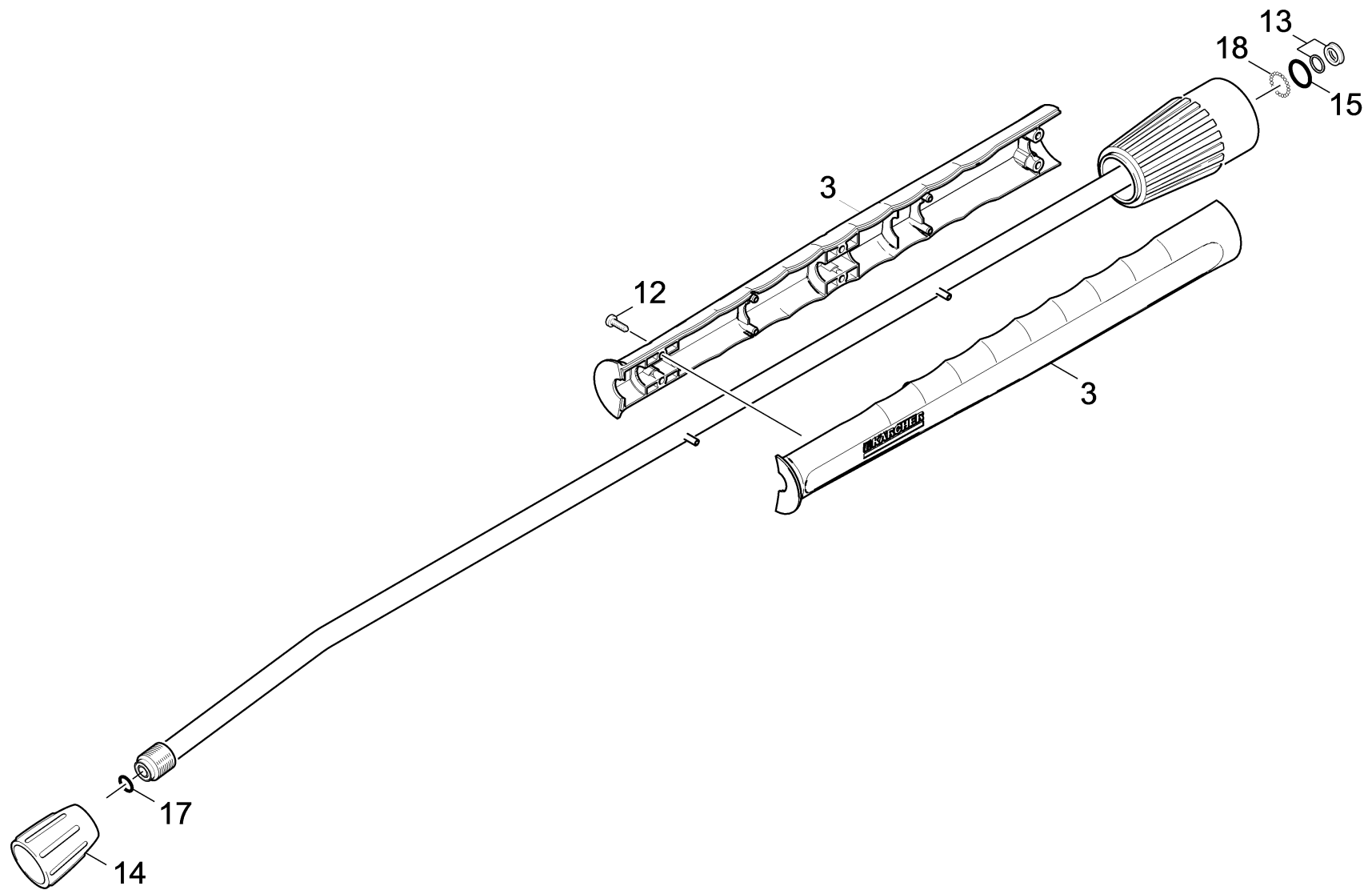
1 Hose assembly standard DN6 25MPa 10m (6.391-238.0)

POS	Article no.	Description	Quantity	Unit
10	4.363-691.0	O-Ring seal kpl. -nur fuer Ersatz-	1.000	ST
13	2.880-990.0	Spare part set O-Ring 5x -Kaercher	1.000	ST



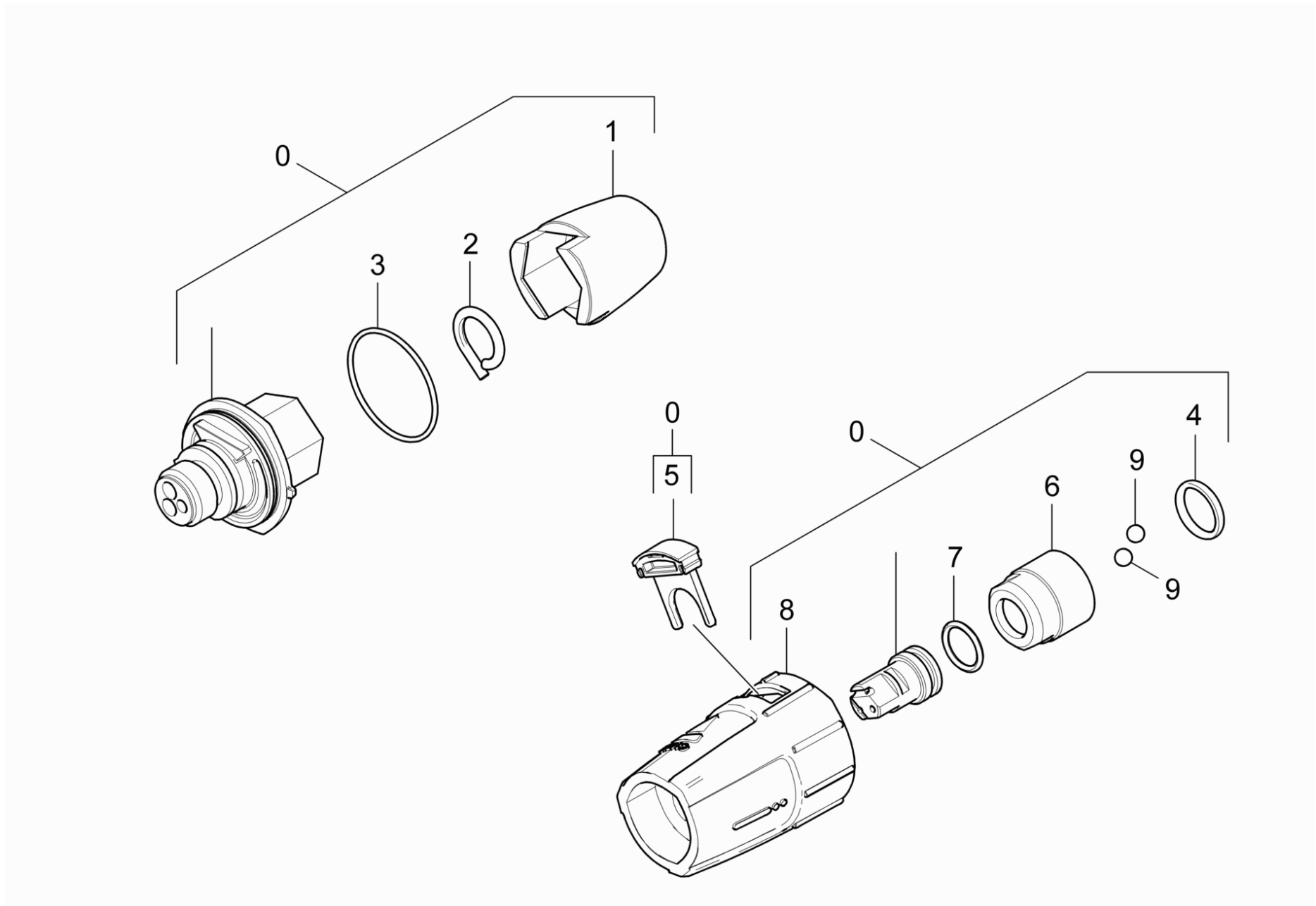
44 Jet pipe

POS	Article no.	Description	Quantity	Unit
1	4.760-660.0	Jet pipe packaged only for replacement	1.000	ST
2	7.303-129.0	Screw 4x16 -10.9-R2R (K-In6Rd)	6.000	ST
3	5.321-855.0	Handhold few jet pipe with welding bolt	1.000	ST
4	2.880-990.0	Spare part set O-Ring 5x -Kaercher	1.000	ST
5	7.401-915.0	Sphere 2,5 G20 -1.4034 DIN 5401	20.000	ST
6	4.363-692.0	Grooved ring kpl. -nur fuer Ersatz-	1.000	ST
7	6.362-524.0	O-Ring seal 17,0 X 1,5	1.000	ST
8	5.401-210.0	Screw connector part	1.000	ST



1 Jet pipe packaged only for replacement (4.760-660.0)

POS	Article no.	Description	Quantity	Unit
3	5.321-855.0	Handhold few jet pipe with welding bolt	1.000	ST
12	7.303-129.0	Screw 4x16 -10.9-R2R (K-In6Rd)	6.000	ST
13	4.363-692.0	Grooved ring kpl. -nur fuer Ersatz-	1.000	ST
14	5.401-210.0	Screw connector part	1.000	ST
15	6.362-524.0	O-Ring seal 17,0 X 1,5	1.000	ST
17	2.880-990.0	Spare part set O-Ring 5x -Kaercher	1.000	ST
18	7.401-915.0	Sphere 2,5 G20 -1.4034 DIN 5401	1.000	ST



45 Triple jet nozzle

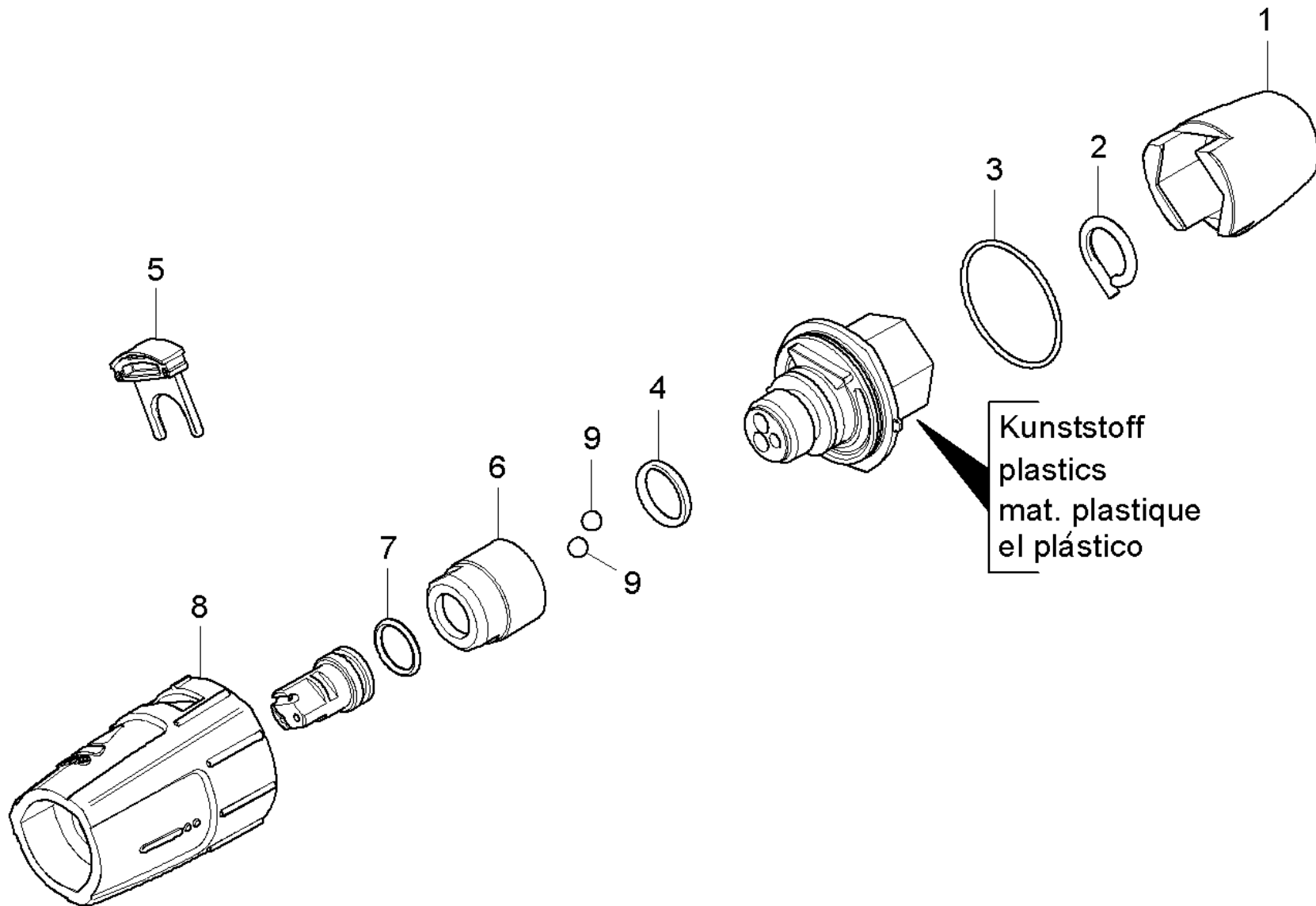
POS	Article no.	Description	Quantity	Unit
0	4.767-151.0	Triple jet nozzle only for replacement 0	1.000	ST
1	5.394-530.0	Protection part complete	1.000	ST
2	6.343-150.0	Pin 03	1.000	ST
3	6.362-409.0	O-Ring seal 32,0 X 1,5	1.000	ST
4	6.362-460.0	O-Ring seal 14,0 X 2,5-NBR 70	1.000	ST
5	5.321-884.0	Clamp	1.000	ST
6	5.311-225.0	Nut	1.000	ST
7	6.362-480.0	O-Ring seal 12,42x 1,78	1.000	ST
8	5.394-859.0	Protection part	1.000	ST
9	7.401-902.0	Sphere 5 G20 -1.4034 DIN 5401	2.000	ST

Triple jet nozzle only for replacement 0 (4.767-151.0)

POS	Article no.	Description	Quantity	Unit
2	5.970-837.0	Spare parts list triple jet nozzle	1.000	ST

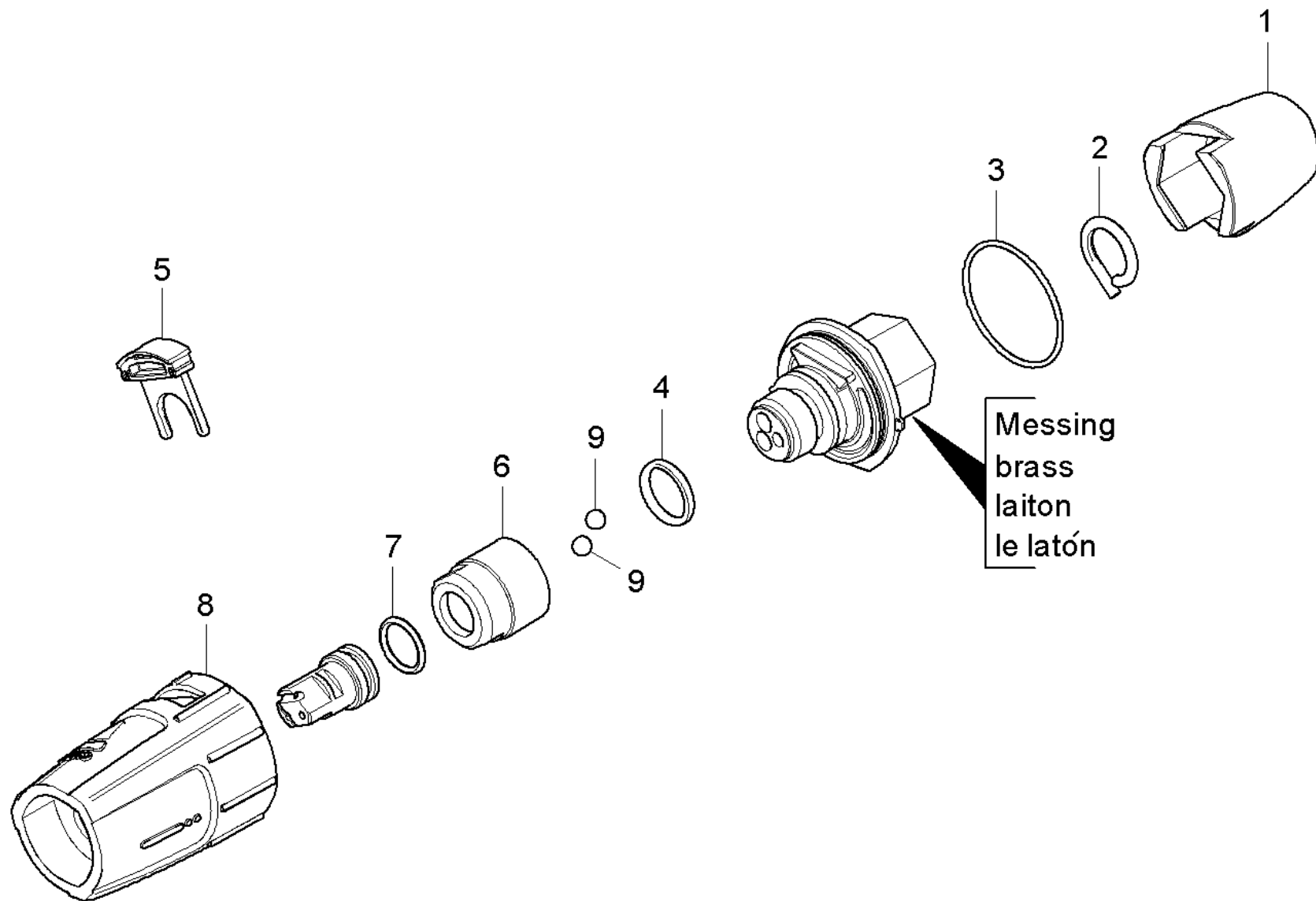
2 Spare parts list triple jet nozzle (5.970-837.0)

POS	Description	Quantity	Unit
10	Triple jet nozzle plastics	1.000	ST
20	Triple jet nozzle brass	1.000	ST



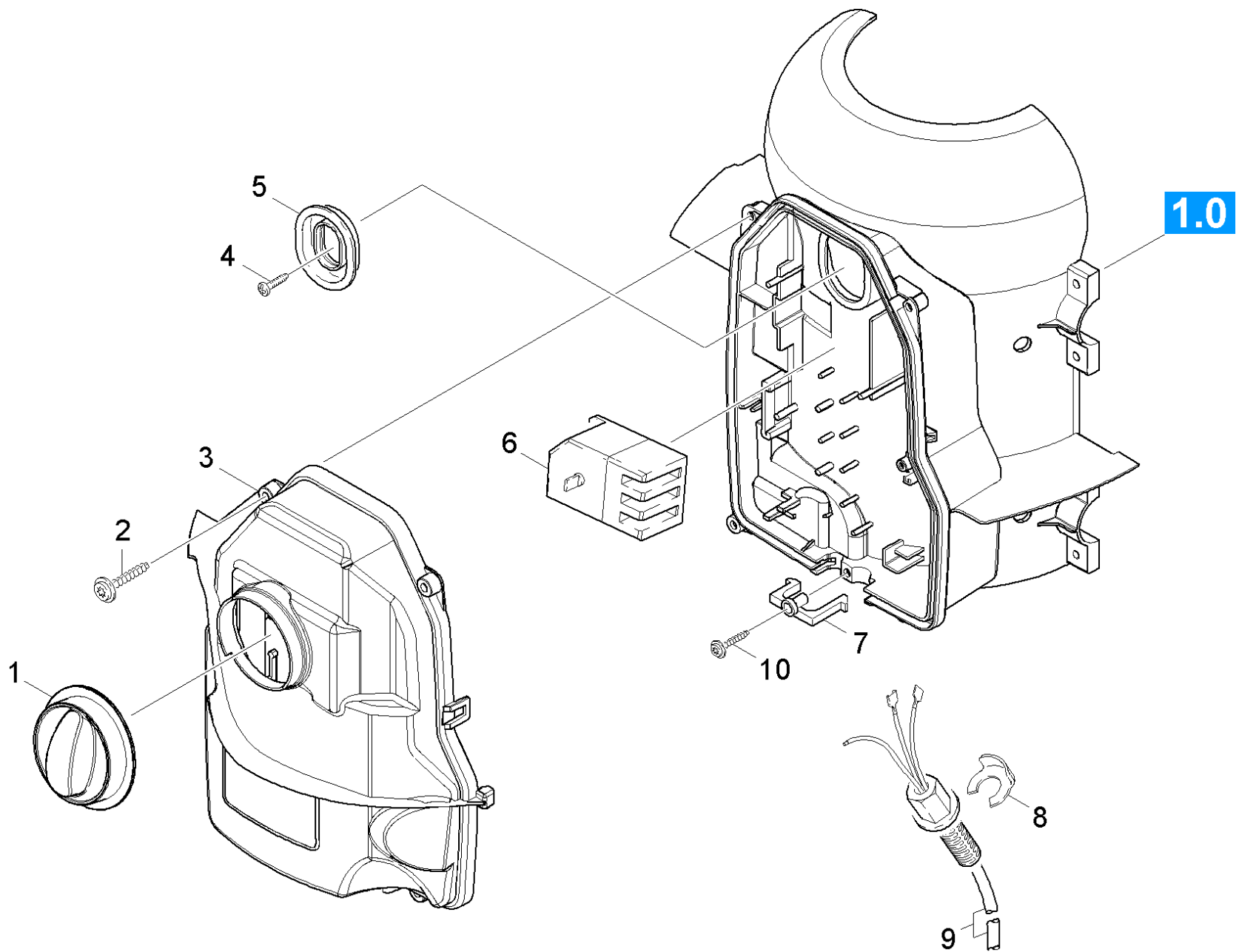
10 Triple jet nozzle plastics

POS	Article no.	Description	Quantity	Unit
1	5.394-530.0	Protection part complete	1.000	ST
2	6.343-150.0	Pin 03	1.000	ST
3	6.362-409.0	O-Ring seal 32,0 X 1,5	1.000	ST
4	7.362-039.0	O-Ring seal 15,5x1,5 -NBR70 DIN 3771	1.000	ST
5	5.321-884.0	Clamp	1.000	ST
6	5.311-236.0	Nut	1.000	ST
7	6.362-480.0	O-Ring seal 12,42x 1,78	1.000	ST
8	5.394-874.0	Protection part	1.000	ST
9	7.401-902.0	Sphere 5 G20 -1.4034 DIN 5401	2.000	ST



20 Triple jet nozzle brass

POS	Article no.	Description	Quantity	Unit
1	5.394-530.0	Protection part complete	1.000	ST
2	6.343-150.0	Pin 03	1.000	ST
3	6.362-409.0	O-Ring seal 32,0 X 1,5	1.000	ST
4	6.362-460.0	O-Ring seal 14,0 X 2,5-NBR 70	1.000	ST
5	5.321-884.0	Clamp	1.000	ST
6	5.311-225.0	Nut	1.000	ST
7	6.362-480.0	O-Ring seal 12,42x 1,78	1.000	ST
8	5.394-859.0	Protection part	1.000	ST
9	7.401-902.0	Sphere 5 G20 -1.4034 DIN 5401	2.000	ST



50 Electric box

POS	Article no.	Description	Quantity	Unit
1	5.322-101.0	Handle yellow	1.000	ST
2	7.303-108.0	Screw 5x20 -10.9-R2R (In6Rd)	4.000	ST
3	5.064-176.0	Cover	1.000	ST
4	7.303-031.0	Screw M4x10 -St-P2R (In6Rd)	1.000	ST
5	5.365-181.0	Profile gasket	1.000	ST
6	6.631-190.0	Motor protecting switch	1.000	ST
7	5.263-058.0	Tensioning part	1.000	ST
8	6.343-186.0	Locking ring	1.000	ST
9	6.649-444.0	Cable with plug	1.000	ST
10	6.303-200.0	Screw 5x25-IN6RD	1.000	ST