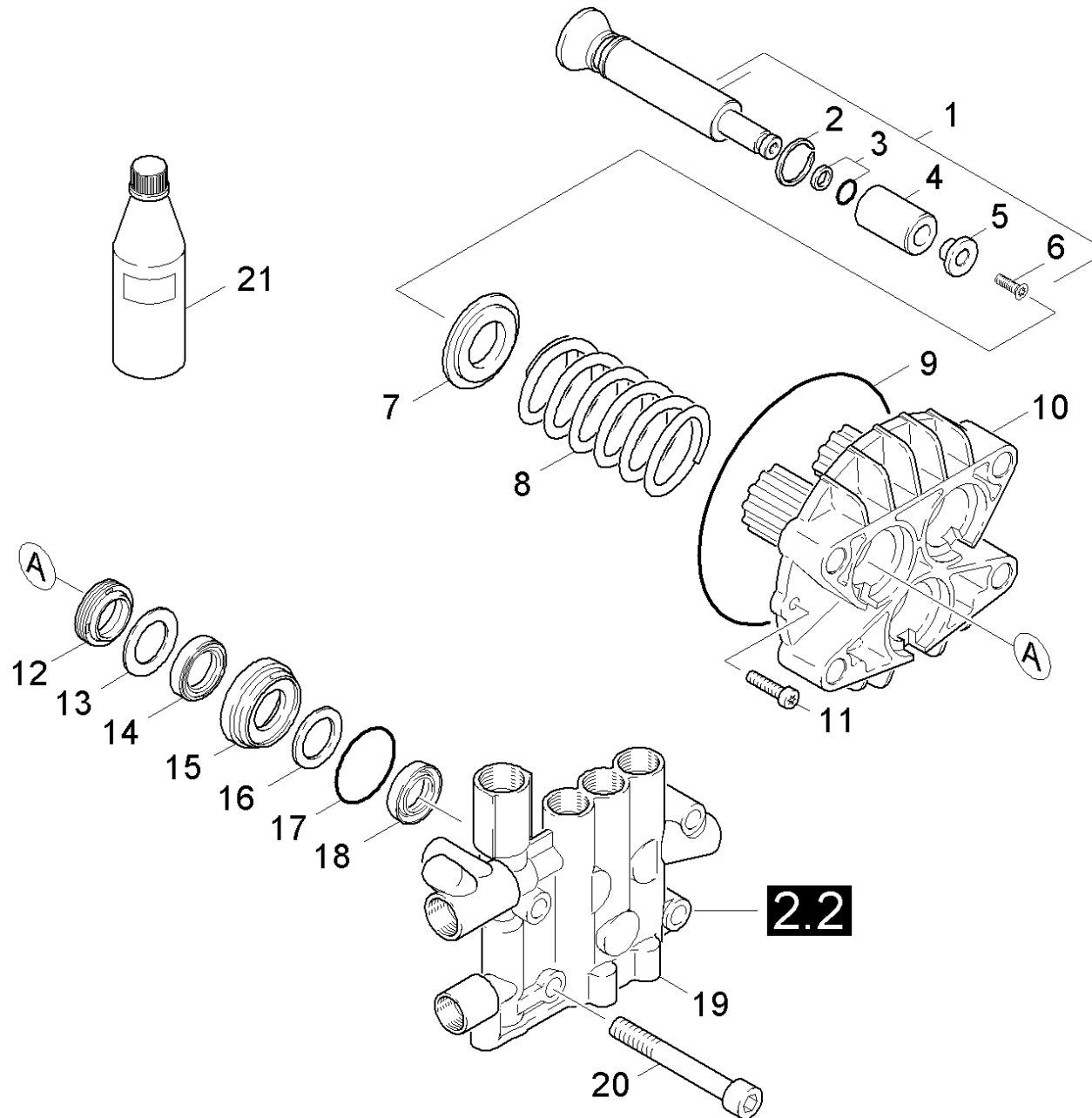


21 Piston

Professional \ High pressure cleaner hotwater \ Electric motor \ HDS 695 M ECO*EU-II \ Spare parts list HDS 695 M ECO \ Pump set \ Piston



21 Piston

Professional \ High pressure cleaner hotwater \ Electric motor \ HDS 695 M ECO*EU-II \ Spare parts list HDS 695 M ECO \ Pump set \ Piston

KÄRCHER

POS	Article no.	Description	Quantity	Unit
15	5.112-420.0	Bush	3	PC
14	6.365-053.0	Compact seal 20X30X6	3	PC
6	6.305-004.0	Countersunk screw M 5X 20-A2-70-sw	3	PC
19	4.550-607.3	Cylinder head complete only for replacem	1	PC
20	7.306-155.0	Cylinder head screw M12x100 -8.8-A3E IS	4	PC
21	6.288-016.0	Gear oil 1L	1	PC
18	6.365-330.0	Grooved ring	3	PC
12	6.365-052.0	Grooved ring 20X28X6/8	3	PC
8	5.332-289.0	Helical spring	3	PC
10	5.060-432.0	Housing	1	PC
17	6.362-092.0	O-Ring seal 36,0 X 2,0-NBR 70	3	PC
9	6.362-796.0	O-Ring seal 107,62X 2,62	1	PC
3	6.362-365.0	O-Ring seal complete 1ST.-R.- 7,65X 1,7	3	PC
1	4.553-281.3	Piston complete only for replacement	3	PC
11	7.306-105.0	Screw M6x30 -8.8-R3R (In6Rd)	2	PC
4	5.110-220.3	Sleeve ceramic	3	PC
2	6.472-331.0	Snap ring 20	3	PC
100	2.883-913.0	Spare part set pump	1	PC
13	5.115-537.0	Washer	3	PC
16	5.115-538.0	Washer	3	PC
7	5.115-539.0	Washer	3	PC
5	5.116-076.0	Washer	3	PC