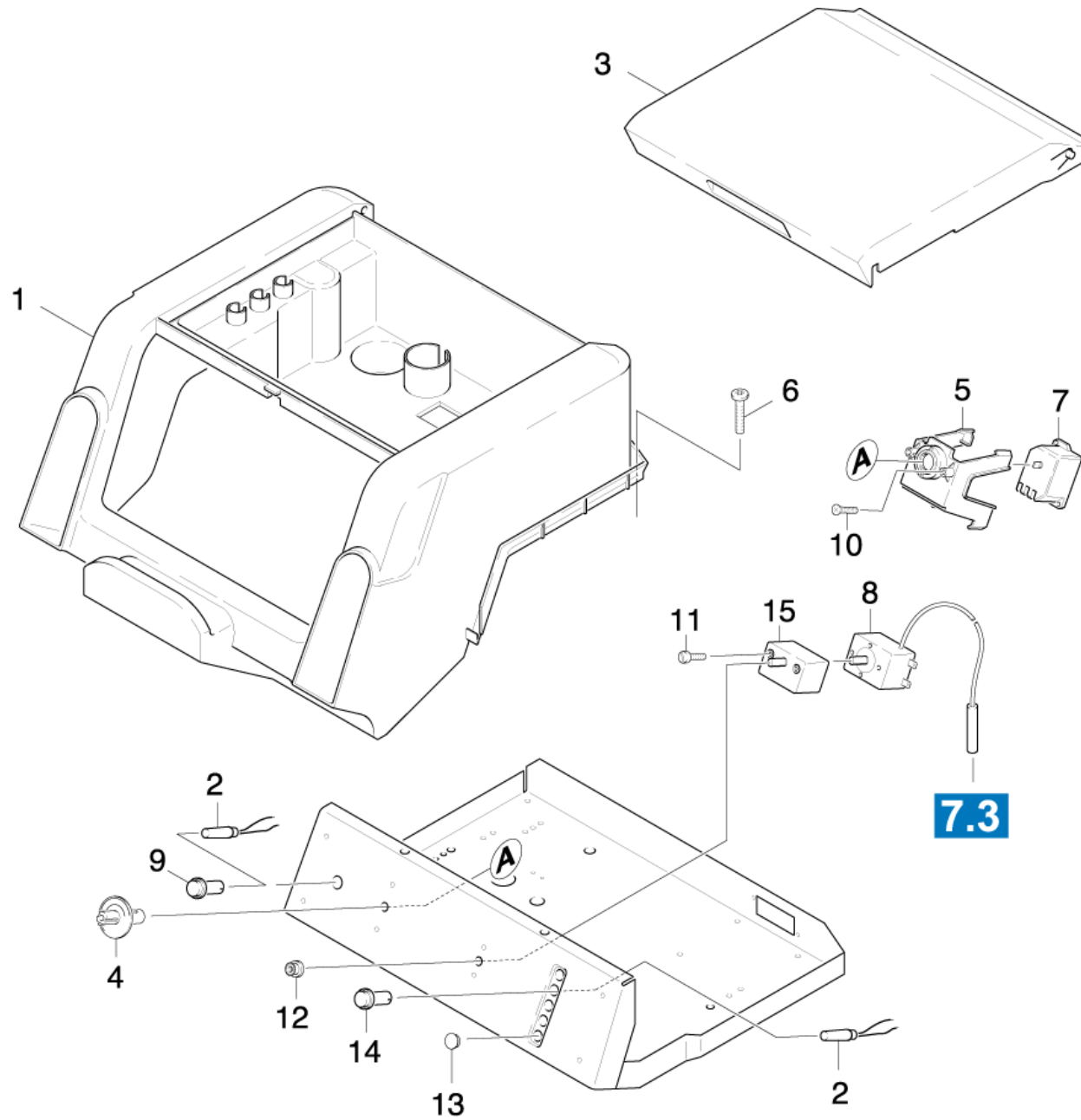


# 61 Top part

Professional \ High pressure cleaner hotwater \ Electric motor \ HDS 895 S \*EU \ Spare parts list HDS 895 S \*EUR \ Electric control box \ Top part



## 61 Top part

Professional \ High pressure cleaner hotwater \ Electric motor \ HDS 895 S \*EU \ Spare parts list HDS 895 S \*EUR \ Electric control box \ Top part

**KÄRCHER**

POS	Article no.	Description	Quantity	Unit
10	7.303-125.0	Countersunk screw 4x16 -10.9-R2R (In6Rd)	2.000	ST
1	5.067-198.0	Cover	1.000	ST
3	5.031-914.0	Flap	1.000	ST
5	5.044-412.0	Holder (CONDOR-SCHAER)	1.000	ST
9	6.651-421.0	Lens housing green	1.000	ST
14	6.651-316.0	Lens housing red	3.000	ST
7	6.631-190.0	Motor protecting switch	1.000	ST
	<b>Item text1:</b> / 1.027-301.0 / -305.0 / -306.0			
	<b>Item text2:</b> / -307.0 / -312.0 / -314.0 / -320.0			
7	6.631-428.0	Motor protecting switch -22-27A	1.000	ST
	<b>Item text1:</b> / 1.027-302.0 / -304.0 / -313.0			
	<b>Item text2:</b> / -321.0			
13	6.368-076.0	Ornamental hub cap D10/D12	3.000	ST
2	4.651-026.0	Pilot lamp only for replacement	4.000	ST
12	5.365-152.0	Profile gasket	1.000	ST
11	7.306-056.0	Screw M4x8 -8.8-R2R (In6Rd)	2.000	ST
6	7.303-045.0	Screw M5x55 -St-ZNBHL (In6Rd)	2.000	ST
4	5.100-335.0	Shaft switch CONDOR	1.000	ST
15	6.630-368.0	Switch	1.000	ST
8	6.686-173.0	Thermostat	1.000	ST