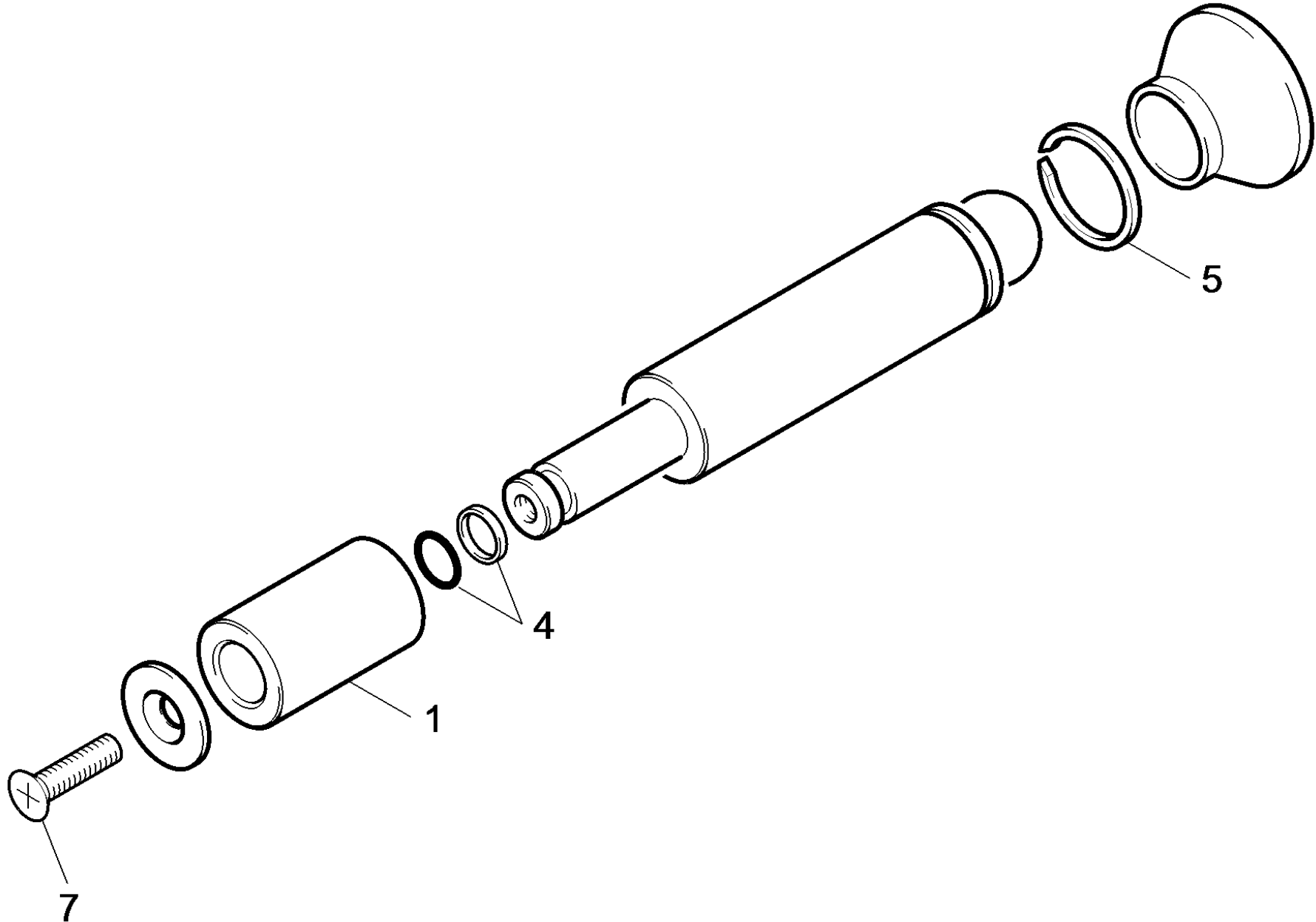


14 Piston complete (4.553-163.0)

Professional \ High pressure cleaner cold water \ Electric motor \ HD 1090 * VEX \ Spare parts list HD 1090 * VEX \ Pump set \ Piston \ Piston complete



14 Piston complete (4.553-163.0)

Professional \ High pressure cleaner cold water \ Electric motor \ HD 1090 * VEX \ Spare parts list HD 1090 *VEX \ Pump set \ Piston \ Piston complete



POS	Article no.	Description	Quantity	Unit
1	5.110-220.3	Sleeve ceramic	1	PC
4	6.362-365.0	O-Ring seal complete 1ST.-R.- 7,65X 1,7	1	PC
5	6.472-331.0	Snap ring 20	1	PC
7	6.305-004.0	Countersunk screw M 5X 20-A2-70-sw	1	PC