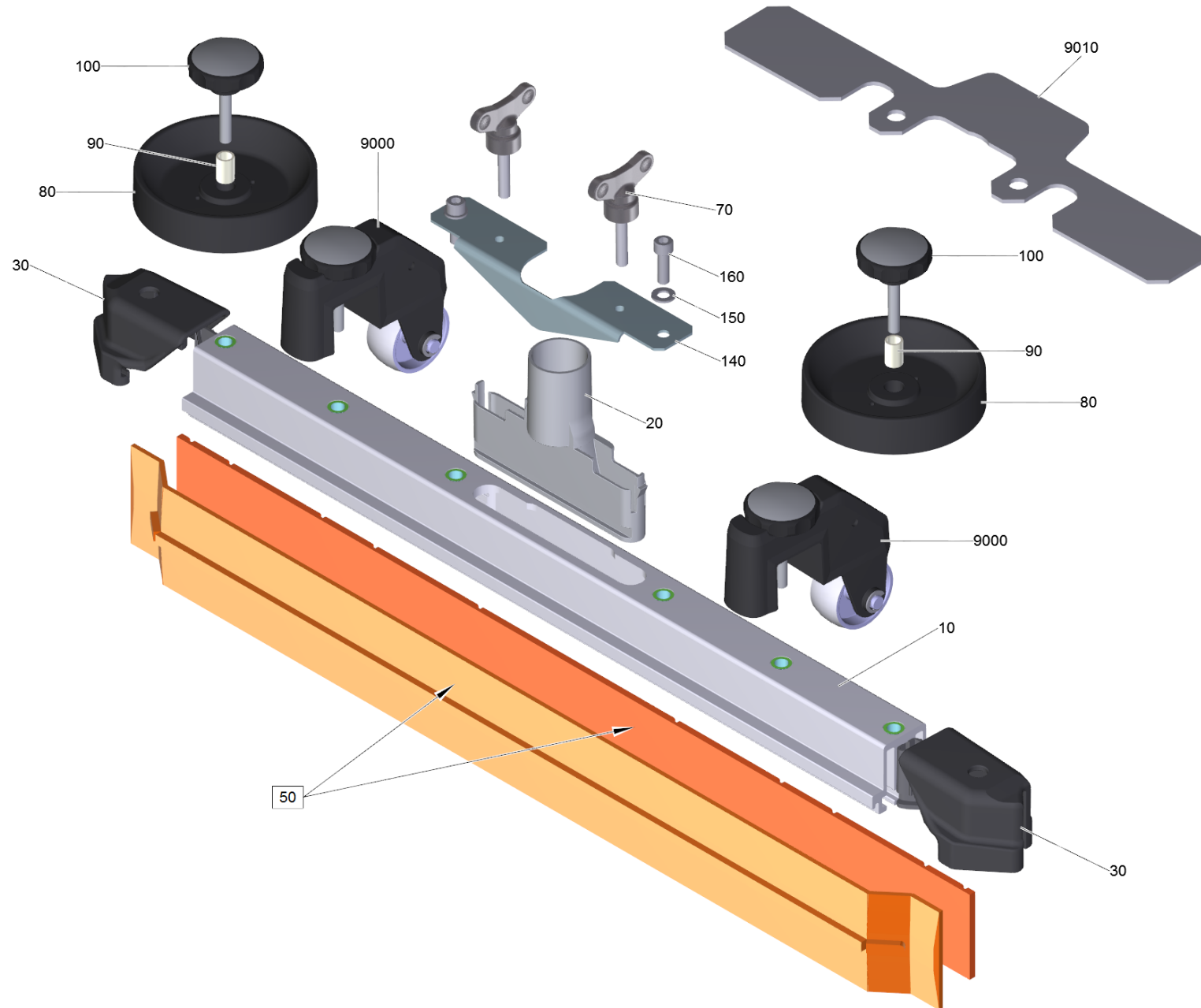


# Suction bar straight 770mm (4.777-407.0)

Professional \ Floor cleaner \ Walk behind \ BD 40/25 C Bp \*EU \ Spare parts list BR/BD 40/25 C \ Suction mechanism \ Suction bar \ Suction bar straight 770mm



## Suction bar straight 770mm (4.777-407.0)

Professional \ Floor cleaner \ Walk behind \ BD 40/25 C Bp \*EU \ Spare parts list BR/BD 40/25 C \ Suction mechanism \ Suction bar \ Suction bar straight 770mm

**KÄRCHER**

POS	Article no.	Description	Quantity	Unit
10		Suction bar pre-assembled straight 770mm	1.000	ST
20	5.033-601.0	Suction nipple	1.000	ST
30	2.885-294.0	End piece left / right spare parts set	1.000	ST
50	6.273-354.0	Rubber lip set oil resistant	1.000	SET
50	6.273-262.0	Rubber lip set anti stripe oil resistant	1.000	ZSA
50	6.273-353.0	Rubber lip set standard	1.000	SET
70	5.305-008.0	Wing screw M8x30 VA	2.000	ST
80	5.515-346.0	Deflector roll suction bar D120	2.000	ST
90	5.094-231.0	Sleeve suction bar in VA	2.000	ST
100	6.321-239.0	Star grip VA Ø50x43	2.000	ST
140	5.100-559.0	Suction bar support plate	1.000	ST
150	7.312-017.0	Washer 8-A2 ISO 7089	2.000	ST
160	7.306-142.0	Cylinder head screw M 8x25-A4-70 ISO 47	2.000	ST
9000	2.640-023.0	Add-on kit rollers suction bar	1.000	ST
9010	5.128-339.0	Additional weight suction bar	1.000	ST