

Spare parts list

(1.251-103.0) HDS 9/16 4ST-GAS *EU

Table of contents

HDS 9/16 4ST-GAS *EU (1.251-103.0)	3
25 Documentation HDS 9/16ST Gas+LPG	4
7 Spare parts list HDS 9/16ST Gas+LPG (5.970-557.0)	5
10 Individual parts	6
20 Pump set	9
21 Piston	10
100 Pump set (2.883-302.0)	12
22 Suction side	13
23 Delivery side	15
24 Pressure switch	17
30 Motor	19
40 Flow heater	21
50 Float chest	23
60 Safety system	26
10 Reed switch replacement (2.880-194.0)	28
70 Tank	29
80 Control panel	32
90 Pilot lamp	34
100 Burner	36
51 Conversion kit pressure switch air (2.638-961.0)	39
8 Spare parts list pressure switch (5.958-505.0)	40
10 Conversion kit pressure switch	41
110 Equipment cabinet	43

HDS 9/16 4ST-GAS *EU (1.251-103.0)

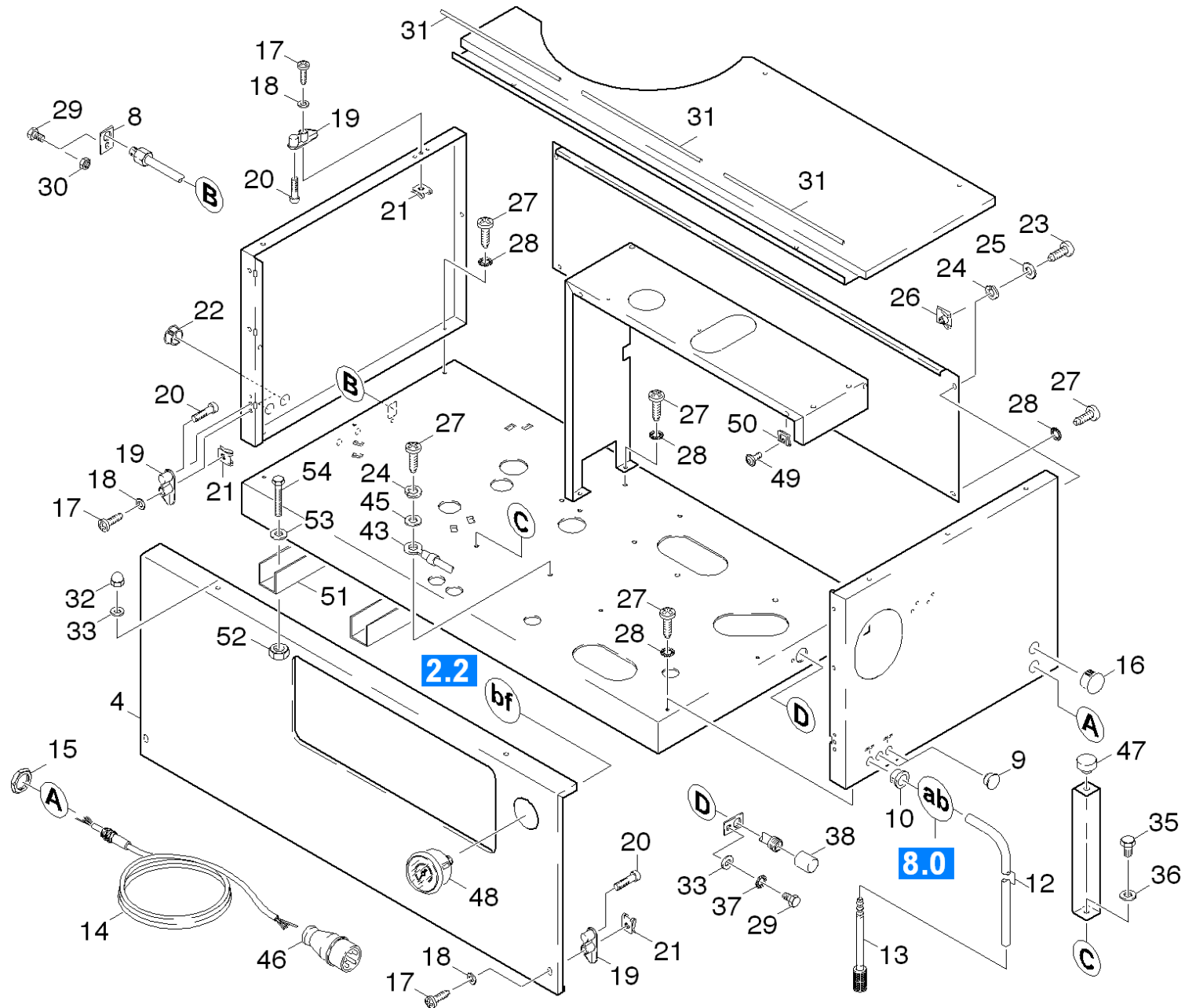
POS	Description	Quantity	Unit
25	Documentation HDS 9/16ST Gas+LPG Item text2: 12511010	1.000	ST

25 Documentation HDS 9/16ST Gas+LPG

POS	Article no.	Description	Quantity	Unit
7	5.970-557.0	Spare parts list HDS 9/16ST Gas+LPG	1.000	ST

7 Spare parts list HDS 9/16ST Gas+LPG (5.970-557.0)

POS	Description	Quantity	Unit
100	Burner	1.000	ST
80	Control panel	1.000	ST
110	Equipment cabinet	1.000	ST
50	Float chest	1.000	ST
40	Flow heater	1.000	ST
10	Individual parts	1.000	ST
30	Motor	1.000	ST
90	Pilot lamp	1.000	ST
20	Pump set	1.000	ST
60	Safety system	1.000	ST
70	Tank	1.000	ST



10 Individual parts

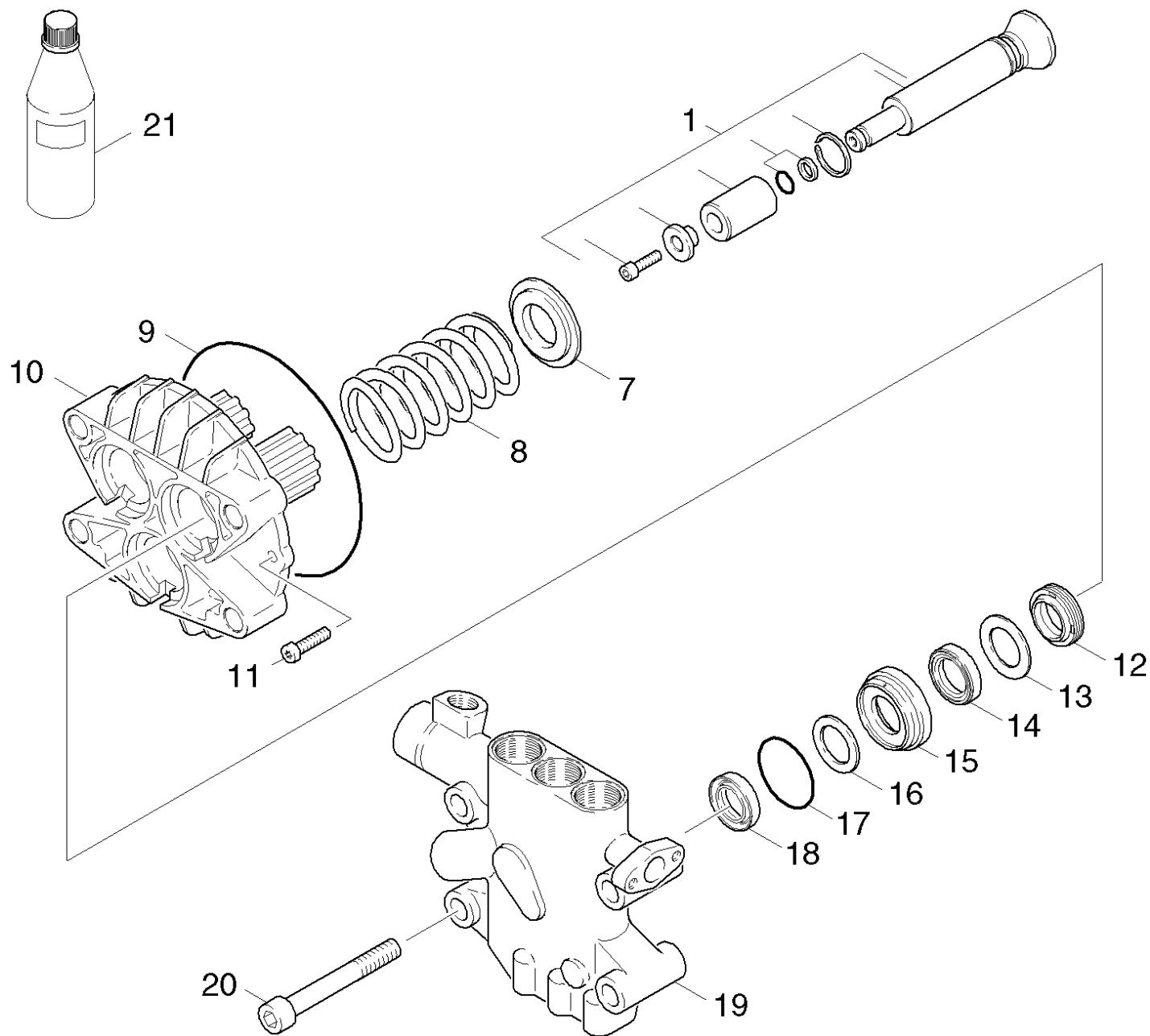
POS	Article no.	Description	Quantity	Unit	Foot note text
51	5.017-819.0	Angle boiler Gas 9/16	2.000	ST	
14	4.822-147.0	Cable	1.000	ST	
43	4.822-148.0	Cable green/yellow 2,5mm ² x600mm	1.000	ST	
9	6.368-099.0	Cap	2.000	ST	
22	6.368-079.0	Cap	2.000	ST	
32	7.311-380.0	Cap nut M6 -6-A2E DIN 1587	2.000	ST	
13	6.414-136.0	Filter	1.000	ST	
29	7.304-382.0	Hexagonal head screw M 6x12-8.8-A2E ISO	2.000	ST	
54	7.304-538.0	Hexagonal head screw M8x16-A4-70 ISO 40	4.000	ST	
30	7.311-425.0	Hexagon nut M6 -04-A2E DIN 985	1.000	ST	
52	7.311-068.0	Hexagon nut M 8-A2-70 ISO 4032	4.000	ST	
11	6.388-194.0	Hose DN 7	1.000	M	TO ORDER AS CUT GOODS
15	6.648-409.0	Locknut grey M25	1.000	ST	
49	6.304-153.0	Oval head screw M6x12-A2 aehnl: ISO 738	2.000	ST	
4	5.065-653.0	Panel	1.000	ST	
46	6.646-044.0	Plug CEE-32 A	1.000	ST	
48	6.421-170.0	Pressure gauge 0-315 BAR	1.000	ST	
38	6.368-071.0	Protecting cap 3/4 Z	1.000	ST	
16	6.368-028.0	Protecting cap 26,5	1.000	ST	
31	5.394-164.0	Protection part	3.000	ST	
50	6.310-082.0	Putting nut M6	2.000	ST	
47	6.339-022.0	Rubber buffer	1.000	ST	
20	7.303-095.0	Screw 4x 12-ST-10.9-R2R (IN6RD)	3.000	ST	
27	7.303-038.0	Screw M5x12 -St-P2R (In6Rd)	9.000	ST	
35	6.303-035.0	Screw M8x12-ST-A2E DIN 7500-1	2.000	ST	
23	7.303-076.0	Sheet metal screw ST4,8X13 -St-R2R (In6	2.000	ST	
17	7.303-080.0	Sheet metal screw ST4,8X32-ST-P2R (KOMB	3.000	ST	
21	6.310-034.0	Speed nut	3.000	ST	
26	6.310-121.0	Speed nut	2.000	ST	
24	7.313-002.0	Spring washer B 5-FSt-A3E DIN 127	3.000	ST	
8	7.777-999.0	Stockpiling discontinued	1.000	ST	
19	5.057-026.0	Support	3.000	ST	
28	7.312-172.0	Toothed lock washer A5,3-FSt-A3E DIN 67	12.000	ST	

10 Individual parts

POS	Article no.	Description	Quantity	Unit	Foot note text
37	7.312-167.0	Toothed lock washer A6,4-FSt-A3E DIN 67	1.000	ST	
36	7.312-159.0	Toothed lock washer A8,4-FST-PH DIN 679	3.000	ST	
12	5.025-747.0	Tube	1.000	ST	
25	7.312-052.0	Washer 5 -A2 ISO 7089	2.000	ST	
18	7.312-278.0	Washer 5-200HV-A2E ISO7093-1	3.000	ST	
45	7.312-002.0	Washer 5-200HV-A3E ISO 7090	1.000	ST	
33	7.312-003.0	Washer 6 -200HV-A3E ISO 7090	3.000	ST	
53	7.312-017.0	Washer 8-A2 ISO 7089	4.000	ST	
10	6.641-494.0	Wire protecting sleeve	1.000	ST	

20 Pump set

POS	Description	Quantity	Unit
23	Delivery side	1.000	ST
21	Piston	1.000	ST
24	Pressure switch	1.000	ST
22	Suction side	1.000	ST

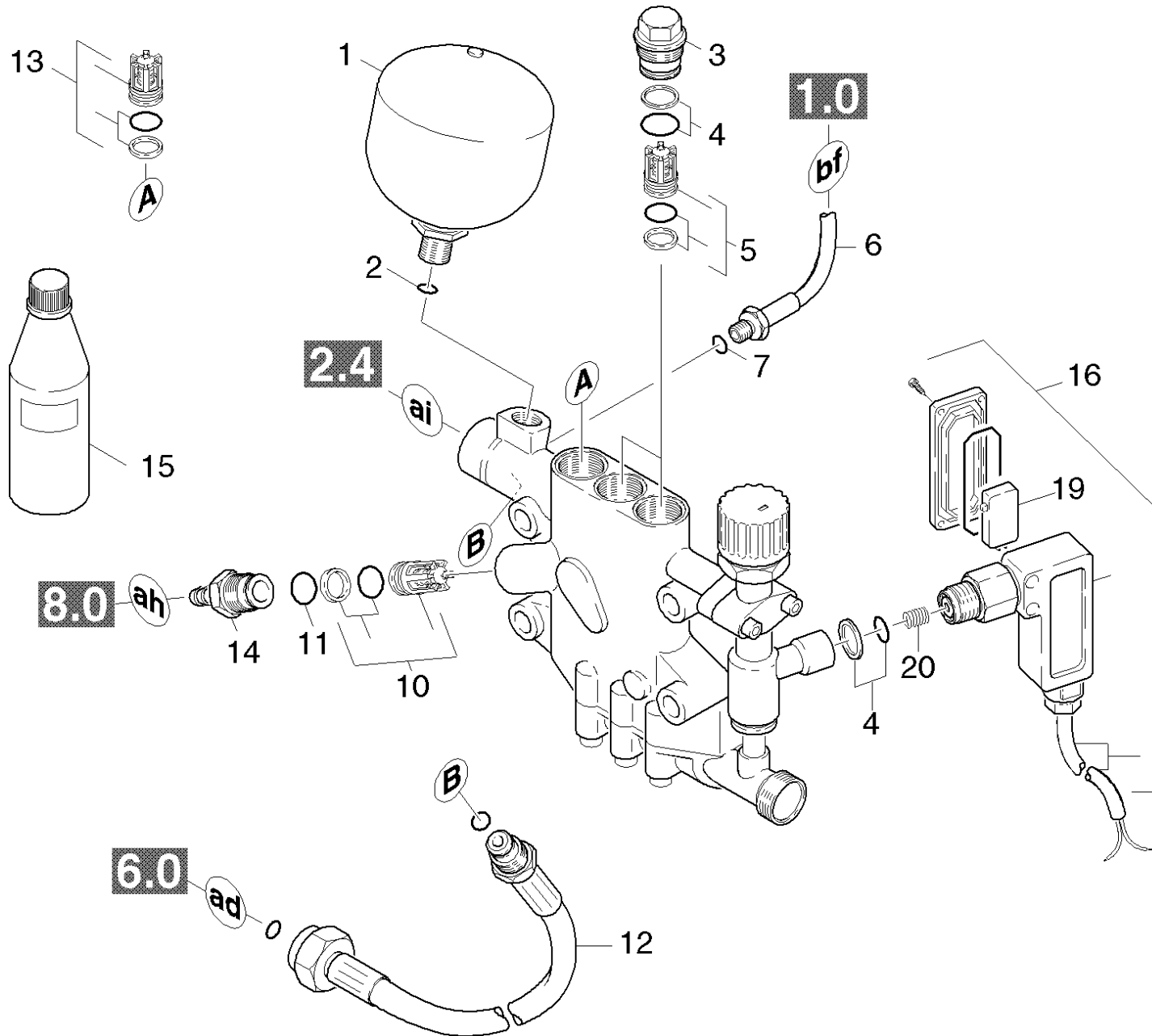


21 Piston

POS	Article no.	Description	Quantity	Unit
15	5.112-414.3	Bush	3.000	ST
14	6.365-056.0	Compact seal 22X32X6	3.000	ST
19	5.550-172.0	Cylinder head	1.000	ST
20	7.306-155.0	Cylinder head screw M12x100 -8.8-A3E IS	4.000	ST
21	6.288-016.0	Gear oil 1L	1.000	ST
18	6.365-055.0	Grooved ring 22x30x5	3.000	ST
12	6.365-059.0	Grooved ring 22X30X6/8	3.000	ST
8	5.332-281.0	Helical spring	3.000	ST
10	5.060-397.3	Housing	1.000	ST
17	6.362-092.0	O-Ring seal 36,0 X 2,0-NBR 70	3.000	ST
9	6.362-796.0	O-Ring seal 107,62X 2,62	1.000	ST
1	4.553-283.0	Piston complete only for replacement	3.000	ST
100	2.883-302.0	Pump set	1.000	ST
11	7.306-105.0	Screw M6x30 -8.8-R3R (In6Rd)	2.000	ST
7	5.115-522.0	Washer	3.000	ST
13	5.115-520.0	Washer	3.000	ST
16	5.115-521.0	Washer	3.000	ST

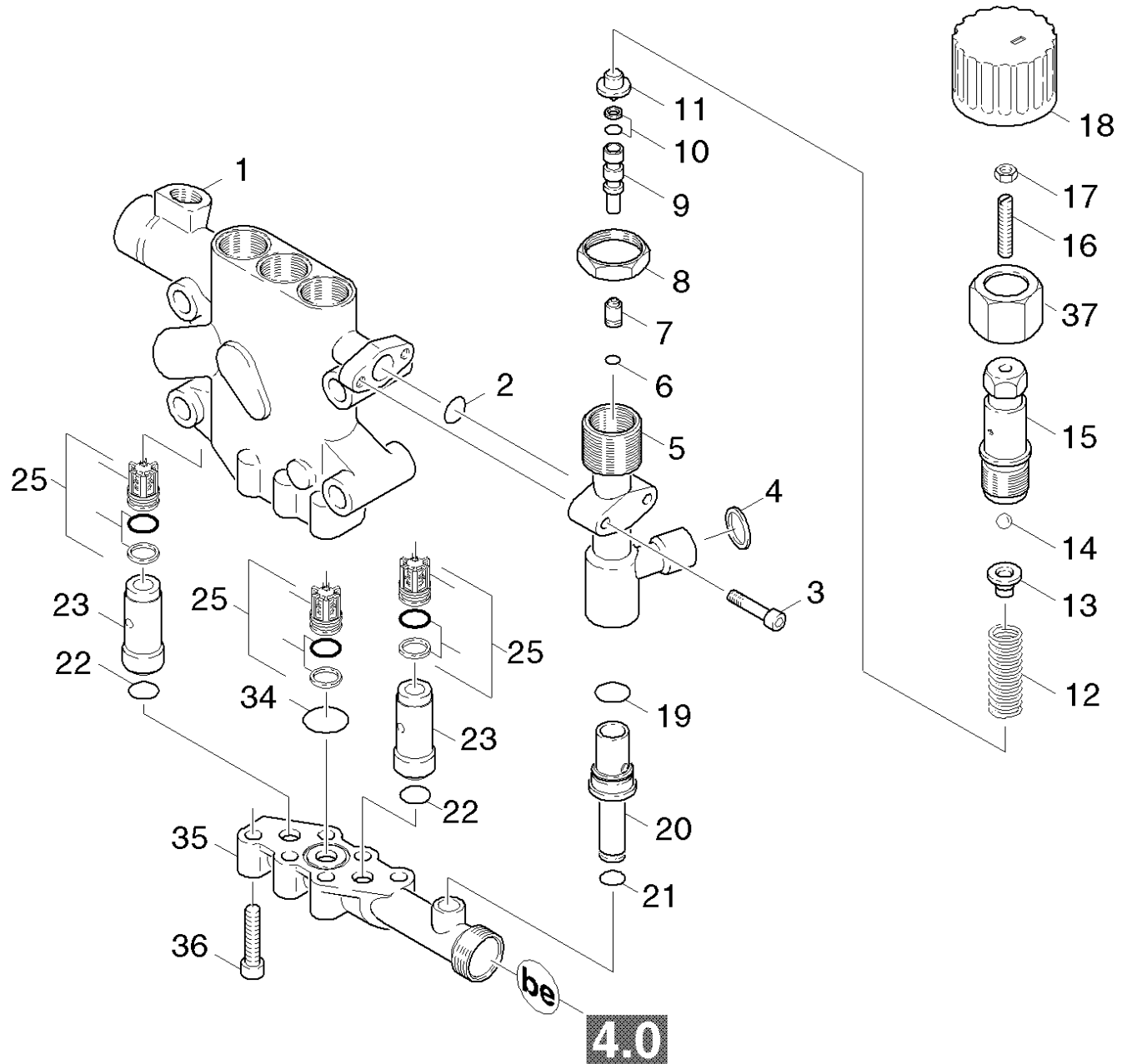
100 Pump set (2.883-302.0)

POS	Article no.	Description	Quantity	Unit
150	6.365-056.0	Compact seal 22X32X6	3.000	ST
140	6.365-055.0	Grooved ring 22x30x5	3.000	ST
160	6.365-059.0	Grooved ring 22X30X6/8	3.000	ST
120	6.362-703.0	O-Ring seal 6,0x1,5-NBR 70	1.000	ST
130	6.362-797.0	O-Ring seal 9,0 X 2,0	1.000	ST
80	6.362-482.0	O-Ring seal 10 x 1,5-NBR 70	1.000	ST
70	6.362-481.0	O-Ring seal 14,0 x 2,0 NBR 80	1.000	ST
50	6.362-153.0	O-Ring seal 15,3 X 2,4-NBR 70	2.000	ST
110	6.362-547.0	O-Ring seal 20,0x1,5-NBR 70	1.000	ST
90	6.363-607.0	O-Ring seal 34,65 x 1,78 -NBR70	3.000	ST
100	6.362-500.0	O-Ring seal complete /1ST.-R.	4.000	ST
60	6.362-422.0	O-Ring seal complete 1ST.-R.	1.000	ST
20	2.884-903.0	Valve (2 Stück)	1.000	ST
30	4.580-237.0	Valve complete	1.000	ST
10	2.884-906.0	Válvula triple (3 stueck)	2.000	ST
40	5.115-521.0	Washer	3.000	ST



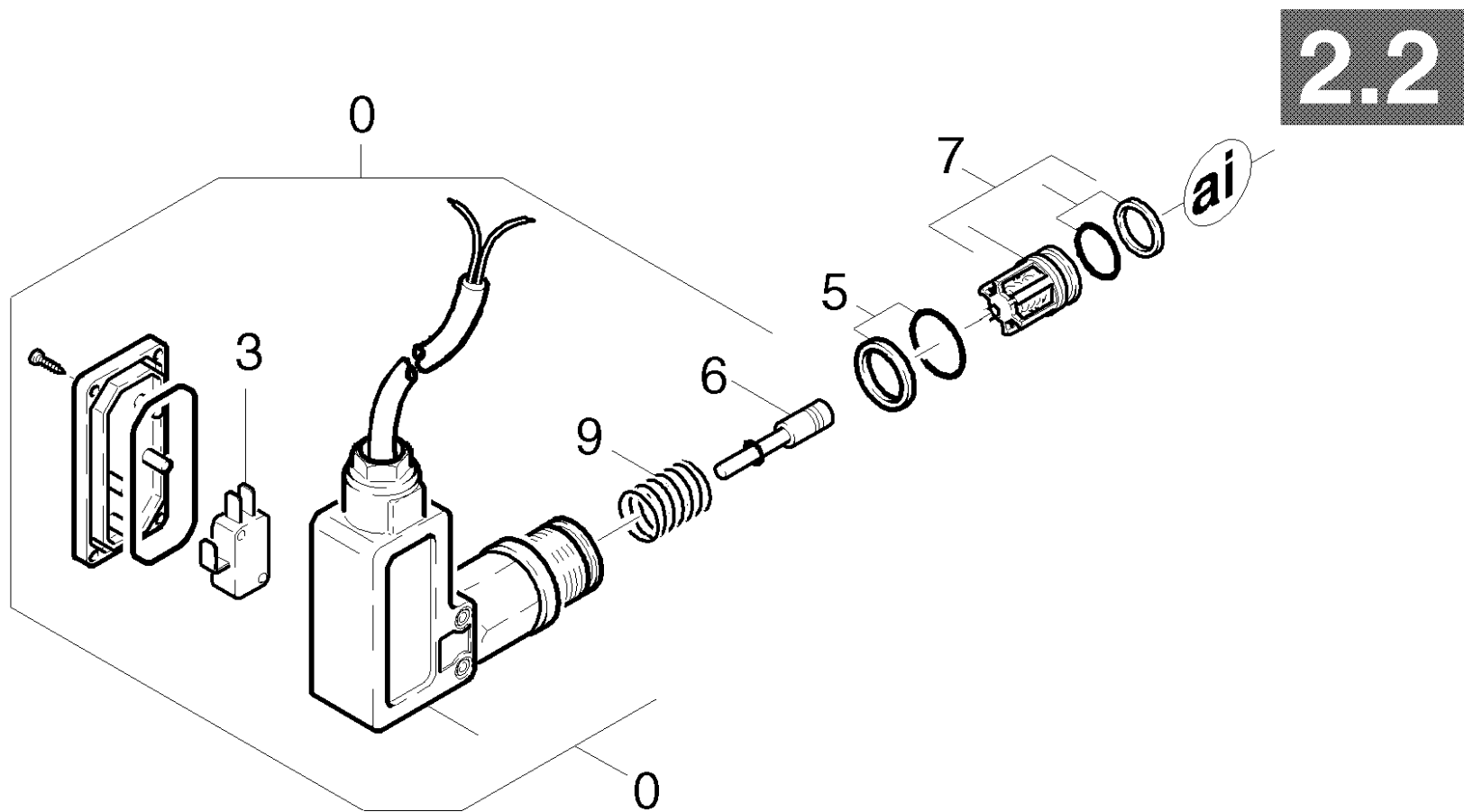
22 Suction side

POS	Article no.	Description	Quantity	Unit	Foot note text
12	6.391-596.0	High pressure hose DN 13	1.000	ST	
6	6.389-635.0	High pressure hose pressure gauge	1.000	ST	
14	5.443-336.0	Hose stem	1.000	ST	
7	7.362-003.0	Joint ring A10x13,5 -Cu DIN 7603	1.000	ST	
2	6.362-176.0	O-Ring seal 6,07x1,78	1.000	ST	
11	6.362-481.0	O-Ring seal 14,0 x 2,0 NBR 80	1.000	ST	
4	6.362-500.0	O-Ring seal complete /1ST.-R.	4.000	ST	
1	6.505-041.0	Pressure accumulator	1.000	ST	
20	6.330-202.0	Pressure spring 8 bar	1.000	ST	
16	6.630-050.0	Pressure switch	1.000	ST	
19	6.631-792.0	Switch	1.000	ST	
10	2.884-903.0	Valve (2 Stück)	1.000	ST	SET OF 2 PIECES
13	4.580-237.0	Valve complete	1.000	ST	
3	5.583-125.0	Valve screw	3.000	ST	
5	2.884-906.0	Válvula triple (3 stueck)	2.000	ST	SET WITH 3 PIECES



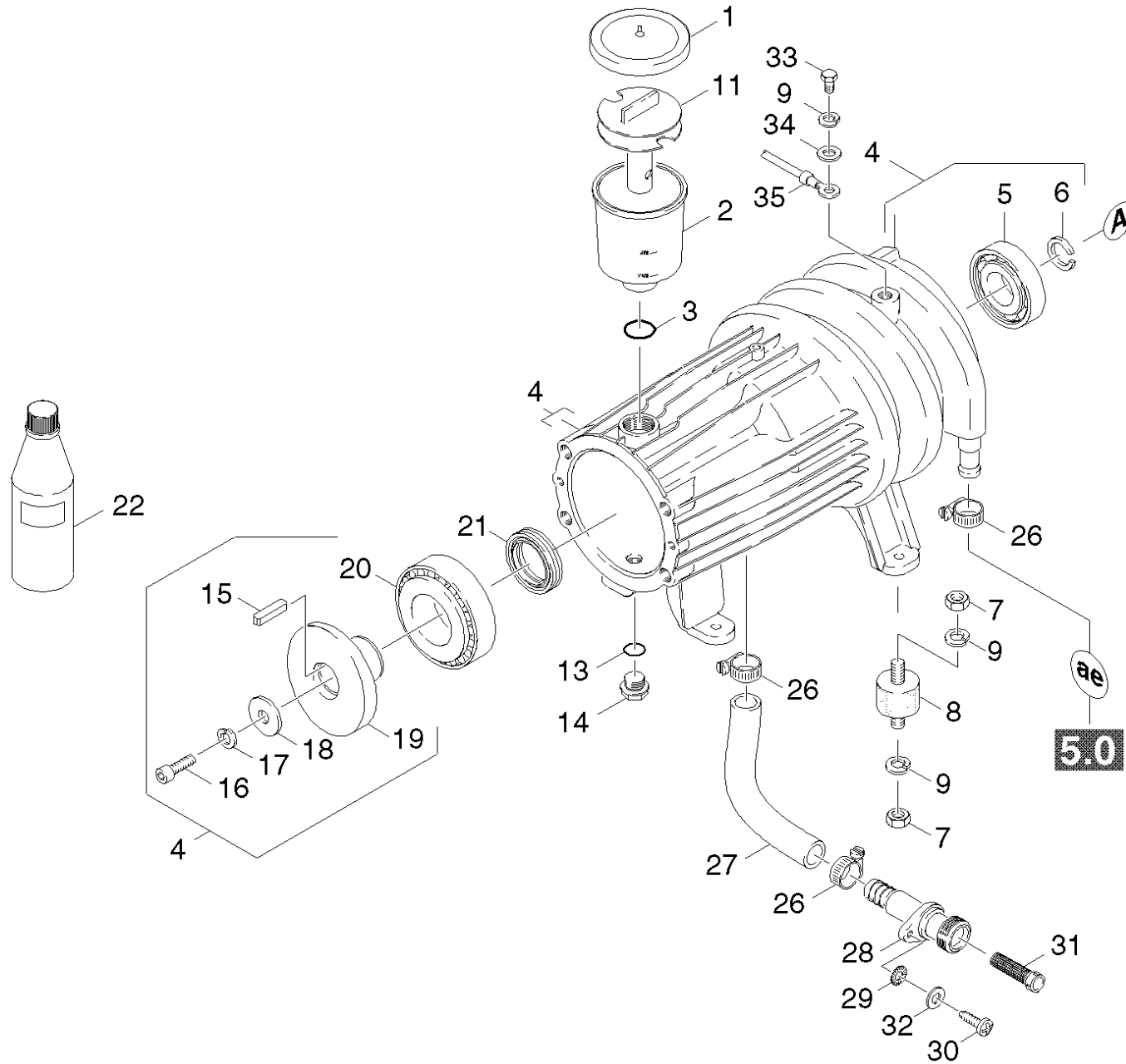
23 Delivery side

POS	Article no.	Description	Quantity	Unit
20	5.402-529.0	Connection piece	1.000	ST
1	5.550-172.0	Cylinder head	1.000	ST
36	7.306-044.0	Cylinder head screw M8x35 -8.8-A2E ISO4	6.000	ST
18	5.321-406.0	Handhold	1.000	ST
12	5.332-285.0	Helical spring	1.000	ST
15	5.304-061.0	Hexagonal head screw	1.000	ST
37	5.311-164.0	Hexagon nut	1.000	ST
17	7.311-003.0	Hexagon nut M6 -8-A2E ISO 4032	1.000	ST
8	5.311-165.0	Hexagon nut M30x1,5	1.000	ST
5	5.060-424.0	Housing	1.000	ST
4	2.880-154.0	O-Ring kit	1.000	ST
6	6.362-703.0	O-Ring seal 6,0x1,5-NBR 70	1.000	ST
21	6.362-797.0	O-Ring seal 9,0 X 2,0	1.000	ST
2	6.362-482.0	O-Ring seal 10 x 1,5-NBR 70	1.000	ST
22	6.362-153.0	O-Ring seal 15,3 X 2,4-NBR 70	2.000	ST
19	6.362-534.0	O-Ring seal 18,0 X 2,0-NBR 70	1.000	ST
34	6.362-547.0	O-Ring seal 20,0x1,5-NBR 70	1.000	ST
10	6.363-115.0	O-Ring seal complete 1ST.-R.	1.000	ST
9	5.553-431.0	Piston	1.000	ST
3	7.306-105.0	Screw M6x30 -8.8-R3R (In6Rd)	2.000	ST
23	5.110-518.0	Sleeve	2.000	ST
14	7.401-918.0	Sphere 6 G300 -1.4301 DIN 5401	1.000	ST
16	7.307-418.0	Threaded pin M6x35 -St-45H-A2E ISO 4026	1.000	ST
13	5.582-103.0	Valve disc	1.000	ST
35	5.587-141.0	Valve housing	1.000	ST
11	5.584-077.0	Valve pin	1.000	ST
7	5.581-143.0	Valve seat	1.000	ST
25	2.884-906.0	Válvula triple (3 stueck)	2.000	ST



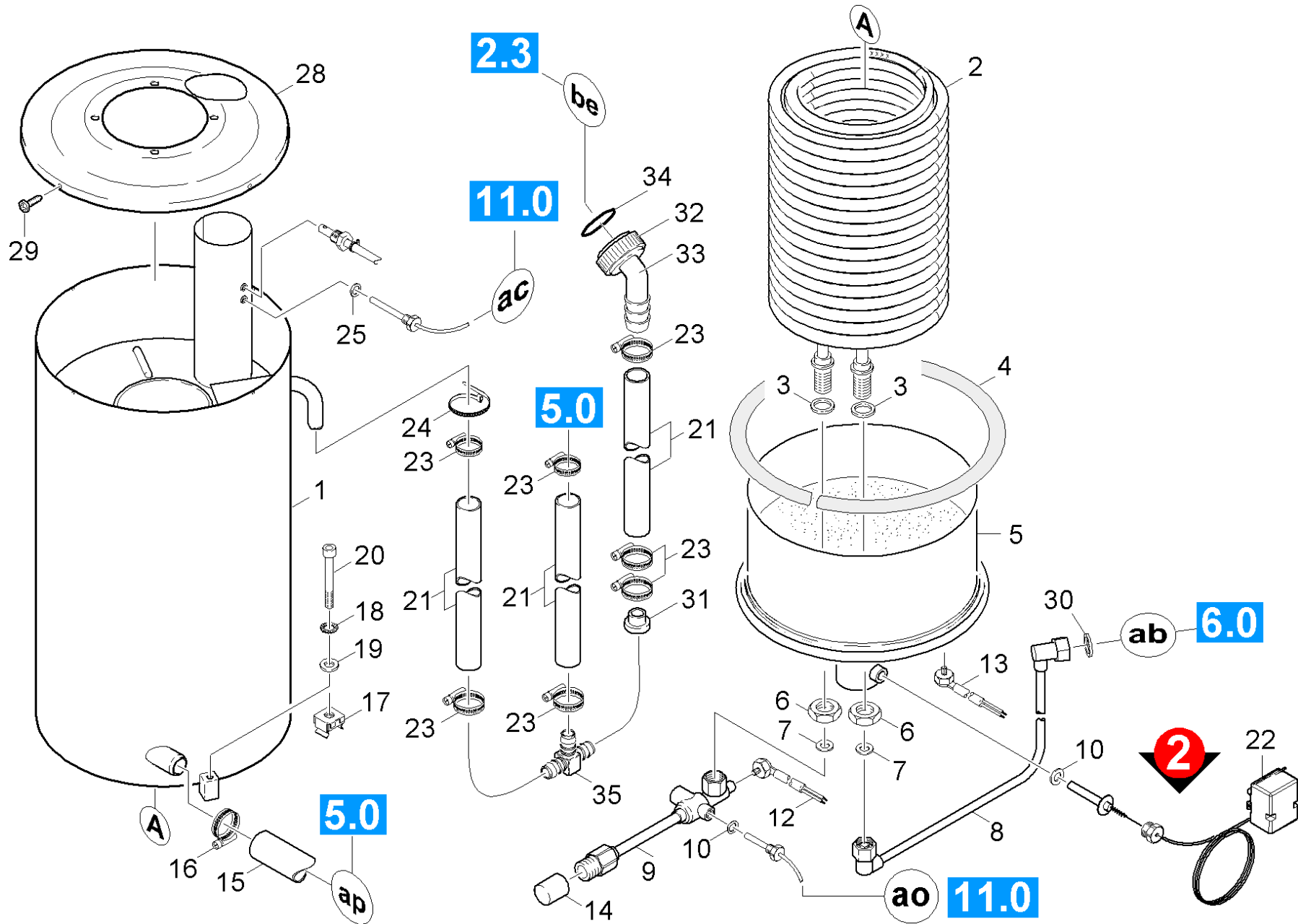
24 Pressure switch

POS	Article no.	Description	Quantity	Unit
5	6.362-500.0	O-Ring seal complete /1ST.-R.	1.000	ST
6	6.630-038.0	Piston complete	1.000	ST
9	6.330-204.0	Pressure spring 30 bar	1.000	ST
0	6.630-111.0	Pressure switch	1.000	ST
3	6.631-792.0	Switch	1.000	ST
7	2.884-903.0	Valve (2 Stück)	1.000	ST



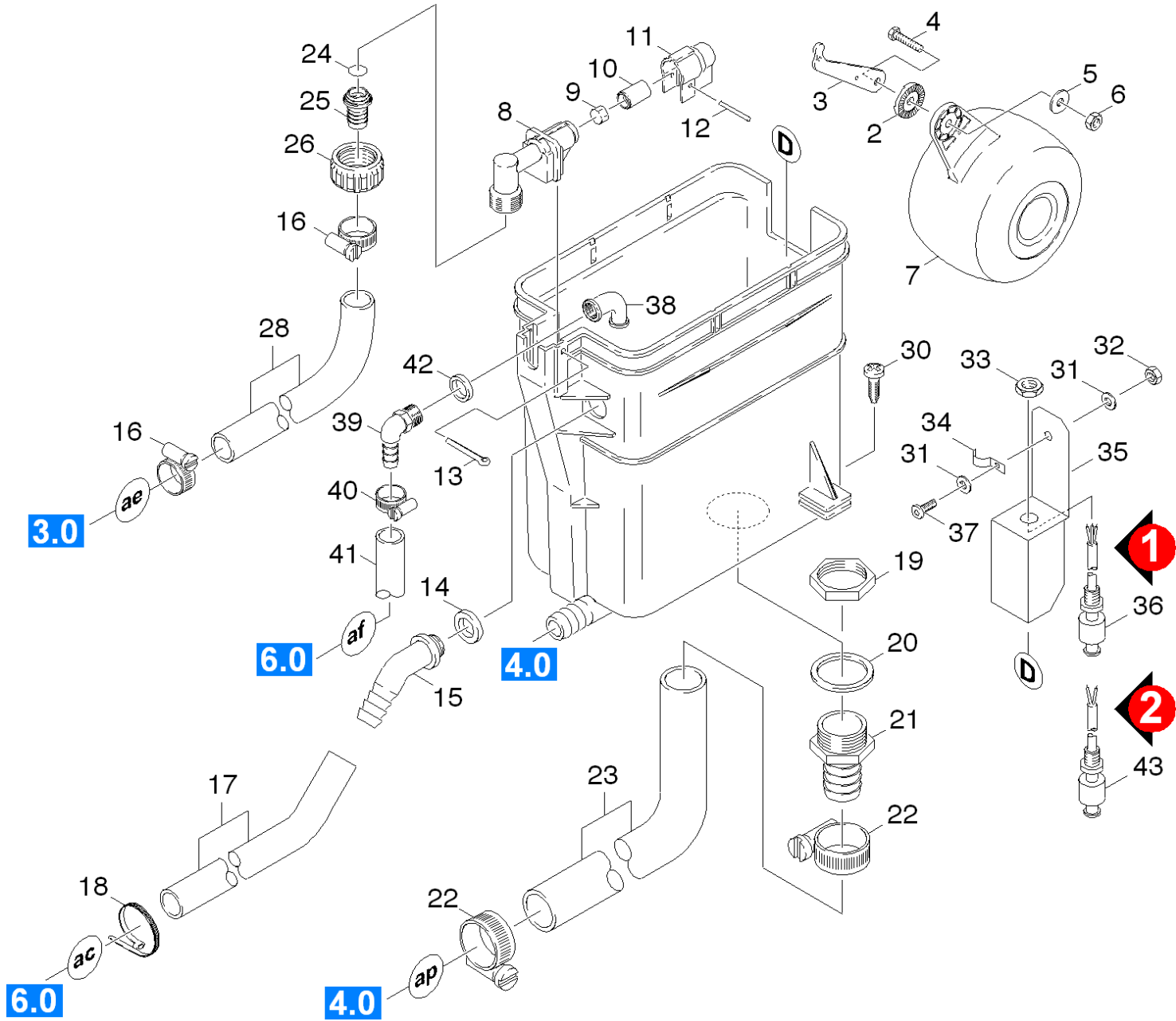
30 Motor

POS	Article no.	Description	Quantity	Unit
5	6.401-253.0	Ball bearing 6305-2Z	1.000	ST
2	5.070-048.0	Box	1.000	ST
35	4.820-249.0	Cable green/yellow 2,5mm ² x600mm	1.000	ST
1	5.063-189.0	Cover	1.000	ST
16	7.306-041.0	Cylinder head screw M8x20 -8.8-A2E ISO	1.000	ST
22	6.288-016.0	Gear oil 1L	1.000	ST
7	7.311-004.0	Hexagon nut M8 -8-A3E ISO 4032	8.000	ST
26	7.373-022.0	Hose clip A-16-27x9 -W2-2 DIN3017	3.000	ST
6	7.343-008.0	Locking ring 25x1,2-St-vz DIN 471	1.000	ST
28	5.427-123.0	Manifold	1.000	ST
4	4.623-205.0	Motor complete	1.000	ST
11	5.030-389.0	Moulded part	1.000	ST
13	6.363-273.0	O-Ring seal 11,0 x 2,0	1.000	ST
3	6.362-168.0	O-Ring seal 22,3 X 2,4-NBR 70	1.000	ST
15	7.318-035.0	Parallel key 8x7x25 -C45R DIN 6885-1	1.000	ST
27	5.442-594.0	Piece of tube	1.000	ST
21	7.367-009.0	Radial shaft seal ring A35x52x7-NBR DIN	1.000	ST
8	6.339-060.0	Rubber buffer M8	4.000	ST
30	7.303-048.0	Screw M6x20 -St-R3R (In6Rd)	1.000	ST
33	6.303-035.0	Screw M8x12-ST-A2E DIN 7500-1	1.000	ST
14	5.411-100.0	Screw plug	1.000	ST
9	7.313-004.0	Spring washer B 8-FSt-A3E DIN 127	8.000	ST
31	6.414-282.0	Strainer	1.000	ST
20	6.401-225.3	Taper roller bearing 41	1.000	ST
29	7.312-167.0	Toothed lock washer A6,4-FSt-A3E DIN 67	1.000	ST
17	7.312-159.0	Toothed lock washer A8,4-FST-PH DIN 679	1.000	ST
18	5.115-565.0	Washer	1.000	ST
32	7.312-003.0	Washer 6 -200HV-A3E ISO 7090	1.000	ST
34	7.312-004.0	Washer 8 -200HV-A3E ISO 7090	1.000	ST
19	4.120-241.0	Wobble plate -nur für Ersatz-	1.000	ST



40 Flow heater

POS	Article no.	Description	Quantity	Unit	Foot note text
5	4.655-056.0	Bottom pressure boiler	1.000	ST	WITHOUT TEMPERATURE LIMITER
5	4.655-057.0	Bottom pressure boiler	1.000	ST	WITH TEMPERATURE LIMITER
31	5.112-189.0	Bush	1.000	ST	
24	6.641-474.0	Cable tape 8-210	1.000	ST	
17	6.310-081.0	Cage nut M 8	6.000	ST	
28	5.654-000.0	Cover pressure boiler	1.000	ST	
20	7.306-039.0	Cylinder head screw M8x50 -8.8-A2E ISO	6.000	ST	
2	4.680-113.0	Heating coil VA	1.000	ST	
6	7.311-155.0	Hexagon nut M22x1,5 -Cu2 DIN 936	2.000	ST	
23	6.388-548.0	Hose clip	7.000	ST	
16	6.388-563.0	Hose clip	1.000	ST	
21	6.388-155.0	Hose DN19	1.000	M	
15	6.389-373.0	Hose PVC DN32	1.000	M	
33	5.443-211.0	Hose stem	1.000	ST	
25	7.362-033.0	Joint ring A5,5x8 -Cu DIN 7603	3.000	ST	
32	5.310-062.0	Nut	1.000	ST	
30	2.880-154.0	O-Ring kit	1.000	ST	
34	6.362-078.0	O-Ring seal 13,3x2,4	1.000	ST	
1	4.652-006.0	Outer covering boiler Gas HDS 9/16 St Ga	1.000	ST	
8	4.422-058.0	Pipelines	1.000	ST	
9	4.421-013.0	Pipelines	1.000	ST	
14	5.132-019.0	Plug	1.000	ST	
13	6.686-299.0	Safety thermostat	1.000	ST	
12	6.686-300.0	Safety thermostat	1.000	ST	
29	7.303-030.0	Screw M4x8 -St-P2R (In6Rd)	4.000	ST	
4	6.363-205.0	Seal	1.000	ST	
7	5.363-360.0	Seal	2.000	ST	
35	6.389-682.0	T-Hose nozzle 19	1.000	ST	
22	6.686-531.0	Temperature limiter 94°	1.000	ST	
18	7.312-159.0	Toothed lock washer A8,4-FST-PH DIN 679	6.000	ST	
3	5.115-521.0	Washer	4.000	ST	
10	5.115-375.0	Washer	2.000	ST	
19	7.312-004.0	Washer 8 -200HV-A3E ISO 7090	6.000	ST	

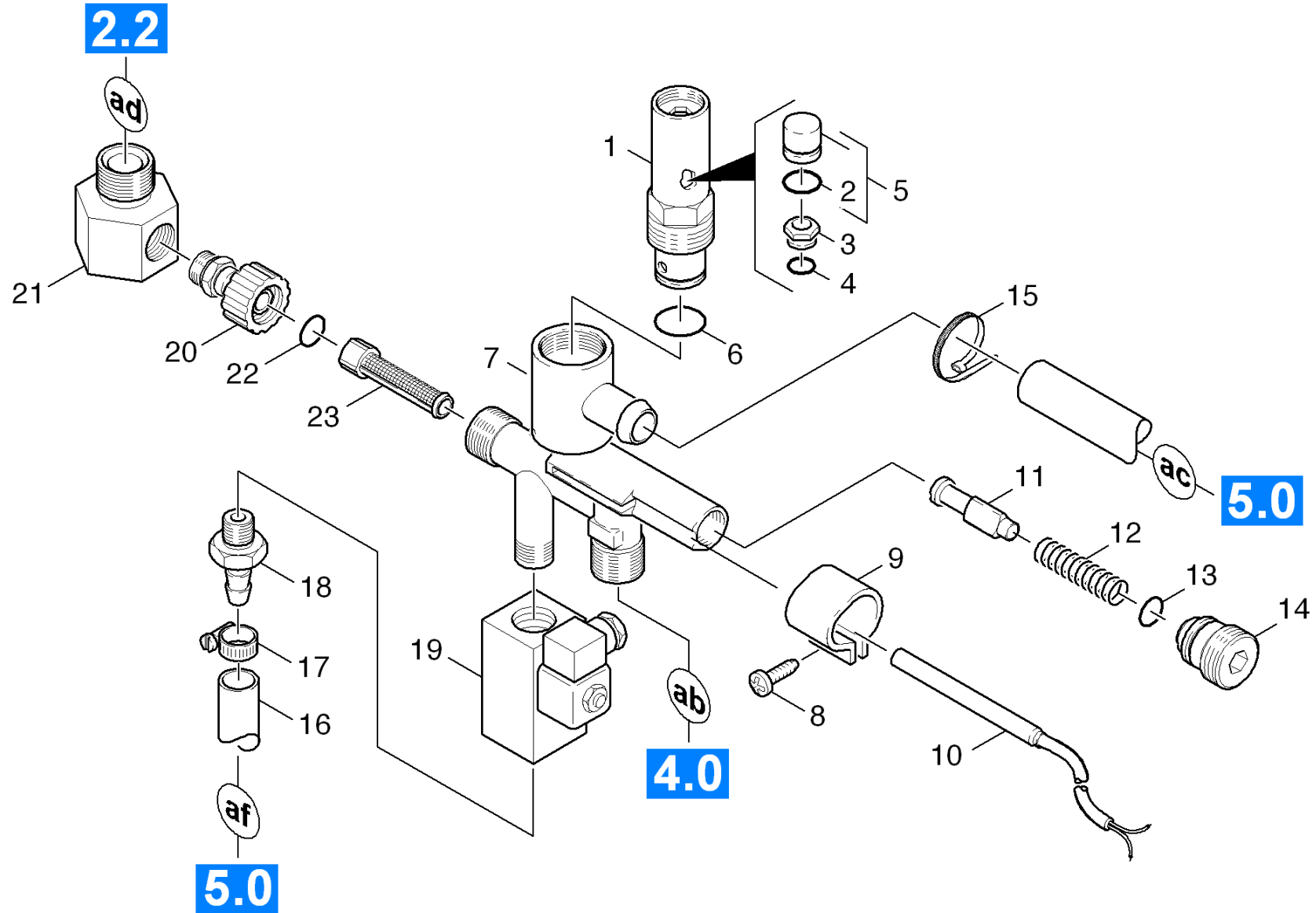


50 Float chest

POS	Article no.	Description	Quantity	Unit	Foot note text
38	6.387-862.0	Angle A1-1/4"-RG5	1.000	ST	
39	6.388-423.0	Angle bushing 1/4"	1.000	ST	
12	7.316-004.0	Bolt A 3x25 -CuZn ISO 2340	1.000	ST	
34	6.641-451.0	Cable clamp 5	1.000	ST	
18	6.641-474.0	Cable tape 8-210	1.000	ST	
13	7.316-432.0	Cotter 4x50 -St-A2E ISO 1234	1.000	ST	
9	5.364-095.0	Flat gasket	1.000	ST	
7	5.585-004.0	Float	1.000	ST	
36	6.631-539.0	Float regulator	1.000	ST	VERSION 1
43	6.631-846.0	Float regulator	1.000	ST	VERSION 2
19	5.311-157.0	Hexagon nut 1 1/4"	1.000	ST	
32	7.311-064.0	Hexagon nut M 4-A2-70 ISO 4032	1.000	ST	
6	7.311-422.0	Hexagon nut M 6-1.4305 ISO 10511	1.000	ST	
22	6.388-563.0	Hose clip	2.000	ST	
16	7.373-022.0	Hose clip A-16-27x9 -W2-2 DIN3017	2.000	ST	
40	7.373-019.0	Hose clip A 10-16x9-W4 DIN3017	1.000	ST	
41	6.388-247.0	Hose DN8 -PVC	1.000	M	TO ORDER AS CUT GOODS
17	6.388-719.0	Hose DN17	1.000	M	
23	6.389-373.0	Hose PVC DN32	1.000	M	TO ORDER AS CUT GOODS
15	5.443-285.0	Hose stem	1.000	ST	
25	5.443-224.0	Hose stem	1.000	ZST	
3	5.481-029.0	Lever	1.000	ST	
33	6.641-756.0	Locknut PG 7	1.000	ST	
21	5.409-208.0	Nipple	1.000	ST	
26	5.310-061.0	Nut R 3/4"	1.000	ST	
24	6.362-078.0	O-Ring seal 13,3x2,4	1.000	ST	
11	5.394-066.0	Protection part	1.000	ST	
37	7.306-207.0	Screw M4x12 -A2-70 (In6Rd)	1.000	ST	
4	7.303-048.0	Screw M6x20 -St-R3R (In6Rd)	1.000	ST	
20	6.362-044.0	Seal 1 1/4Z CSM	1.000	ST	
35	5.050-280.0	Sheet metal component	1.000	ST	
30	7.303-076.0	Sheet metal screw ST4,8X13 -St-R2R (In6	2.000	ST	
8	5.587-138.0	Valve housing	1.000	ST	

50 Float chest

POS	Article no.	Description	Quantity	Unit	Foot note text
10	5.584-026.0	Valve pin	1.000	ST	
2	5.115-158.0	Washer	1.000	ST	
31	7.312-042.0	Washer 4 -CuZn-E2E DIN 125-1	2.000	ST	
5	7.312-279.0	Washer 6-CuZn ISO 7093-1	1.000	ST	
42	7.312-054.0	Washer 12-A2 ISO 7090	1.000	ST	
28	6.388-924.0	Water hose DN16	1.000	M	TO ORDER AS CUT GOODS

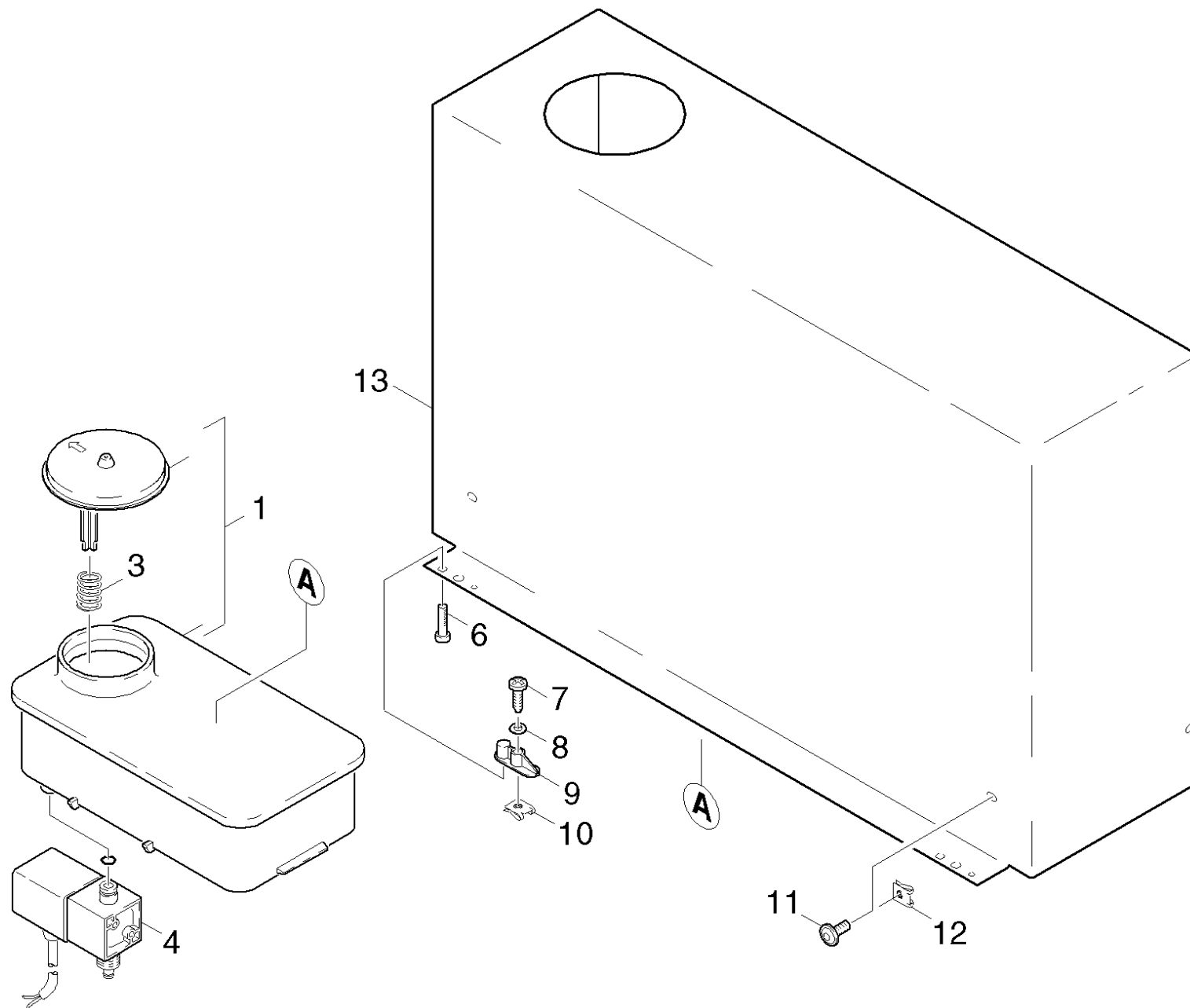


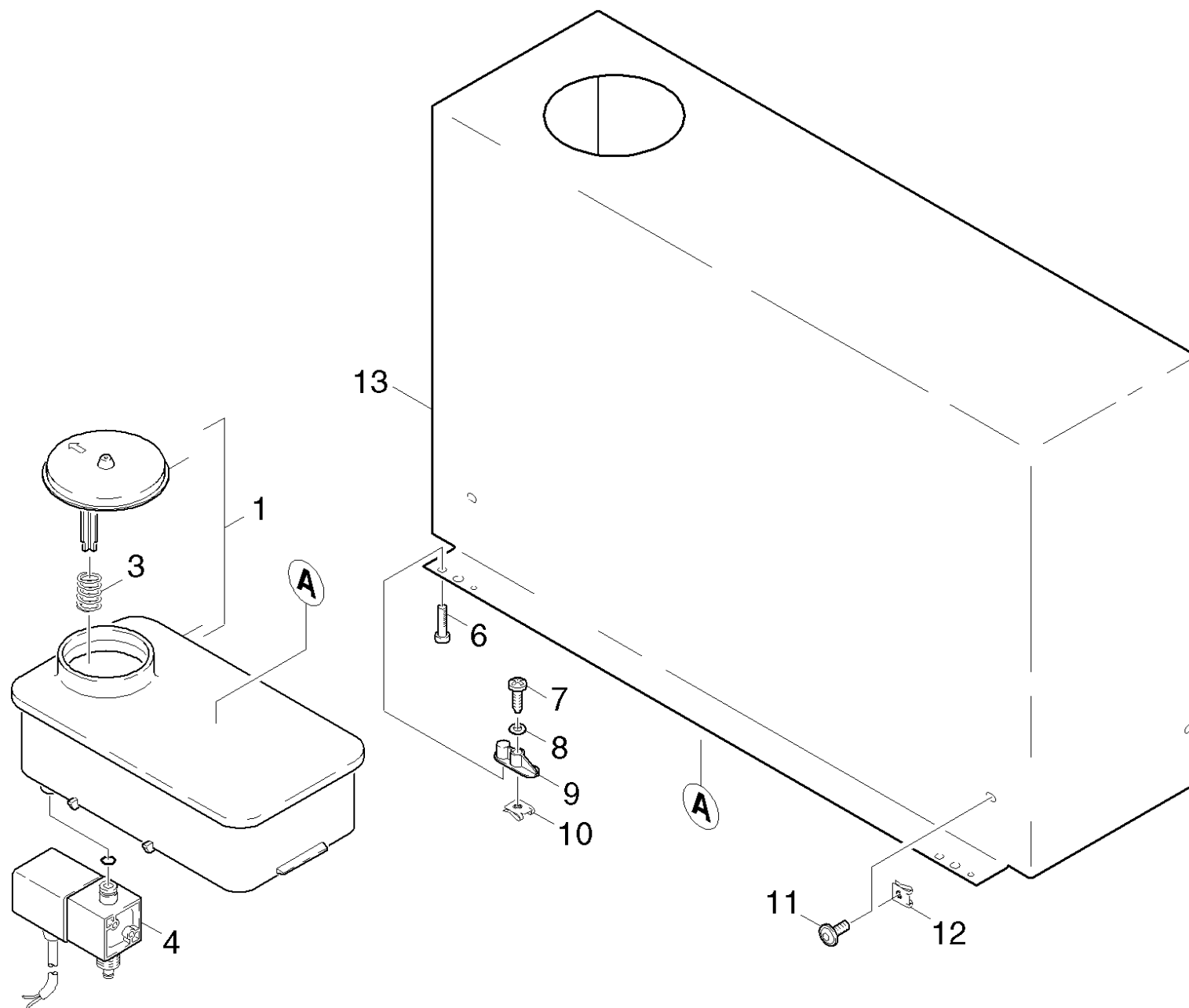
60 Safety system

POS	Article no.	Description	Quantity	Unit	Foot note text
15	6.641-474.0	Cable tape 8-210	1.000	ST	
9	5.041-076.0	Clamp	1.000	ST	
12	5.332-057.0	Helical spring	1.000	ST	
19	6.685-864.0	HIGH PRESSURE VALVE	1.000	ST	
17	7.373-019.0	Hose clip A 10-16x9-W4 DIN3017	1.000	ST	
16	6.388-247.0	Hose DN8 -PVC	1.000	M	TO ORDER AS CUT GOODS
18	6.388-630.0	Hose stem	1.000	ST	
7	5.061-175.0	Housing	1.000	ST	
8	6.303-122.0	M4 .2X13 DIN 7981 TORX T15 PAN HD HI/LO	1.000	ST	
22	6.362-151.0	O-Ring d. 10 x 2 NBR 70	1.000	ST	
4	6.362-388.0	O-Ring seal 8,0x1,5 -EPDM 70	1.000	ST	
13	6.362-482.0	O-Ring seal 10 x 1,5-NBR 70	1.000	ST	
2	6.362-481.0	O-Ring seal 14,0 x 2,0 NBR 80	1.000	ST	
6	6.362-580.0	O-Ring seal 17,0 X 2,0-NBR 70	1.000	ST	
11	4.553-022.0	Piston	1.000	ST	
5	6.412-264.0	Piston with seal	1.000	ST	
10	2.880-194.0	Reed switch replacement	1.000	ST	
1	4.412-538.0	Safety valve -nur für Ersatz-	1.000	ST	
21	5.401-296.0	Screw connector part	1.000	ST	
20	4.402-024.0	Screw union	1.000	ST	
14	5.305-162.0	Shaped screw	1.000	ST	
23	6.414-418.0	Strainer	1.000	ST	
3	6.412-263.0	Valve seat	1.000	ST	

10 Reed switch replacement (2.880-194.0)

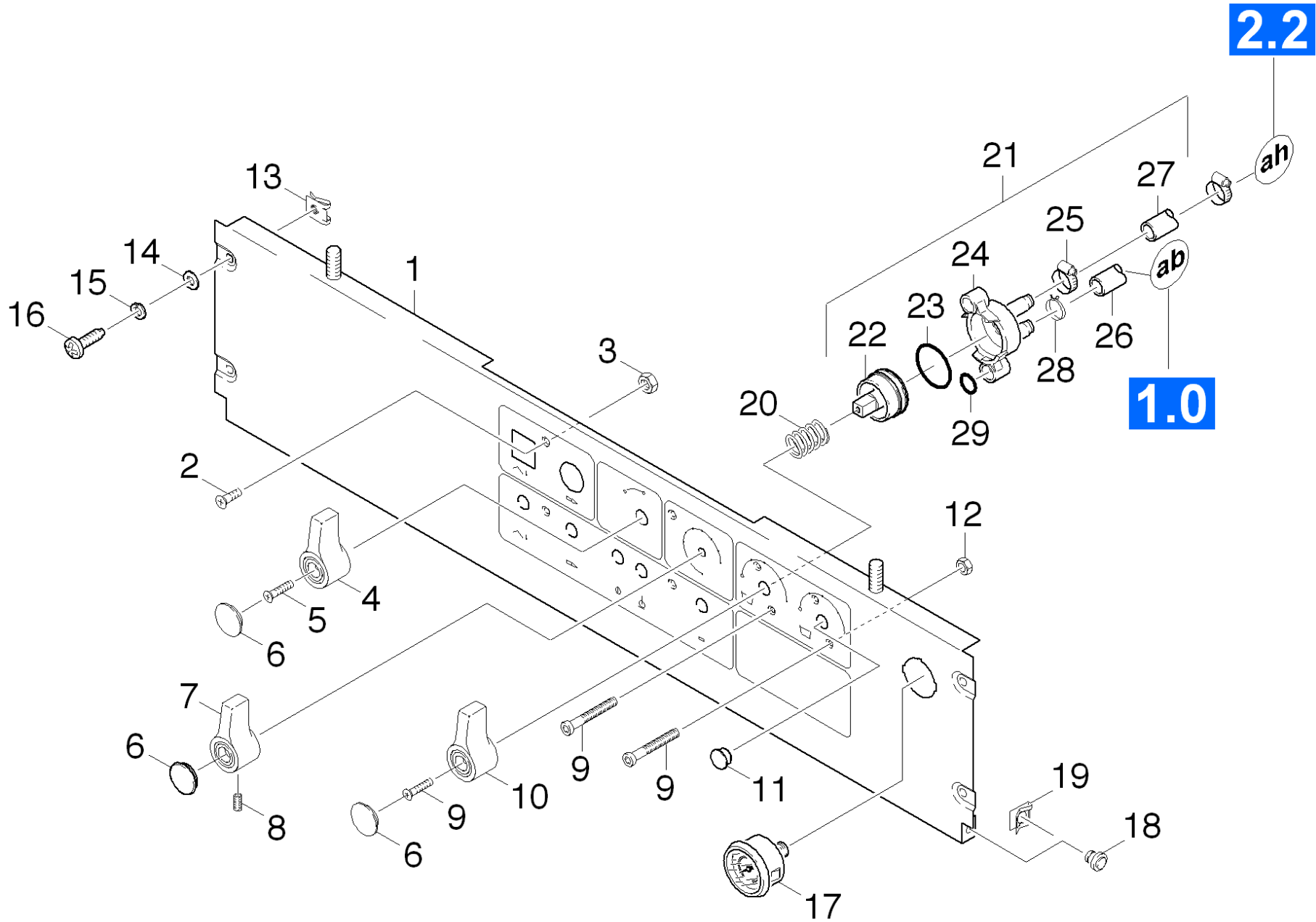
POS	Article no.	Description	Quantity	Unit
10	6.631-105.0	Reed switch	1.000	ST





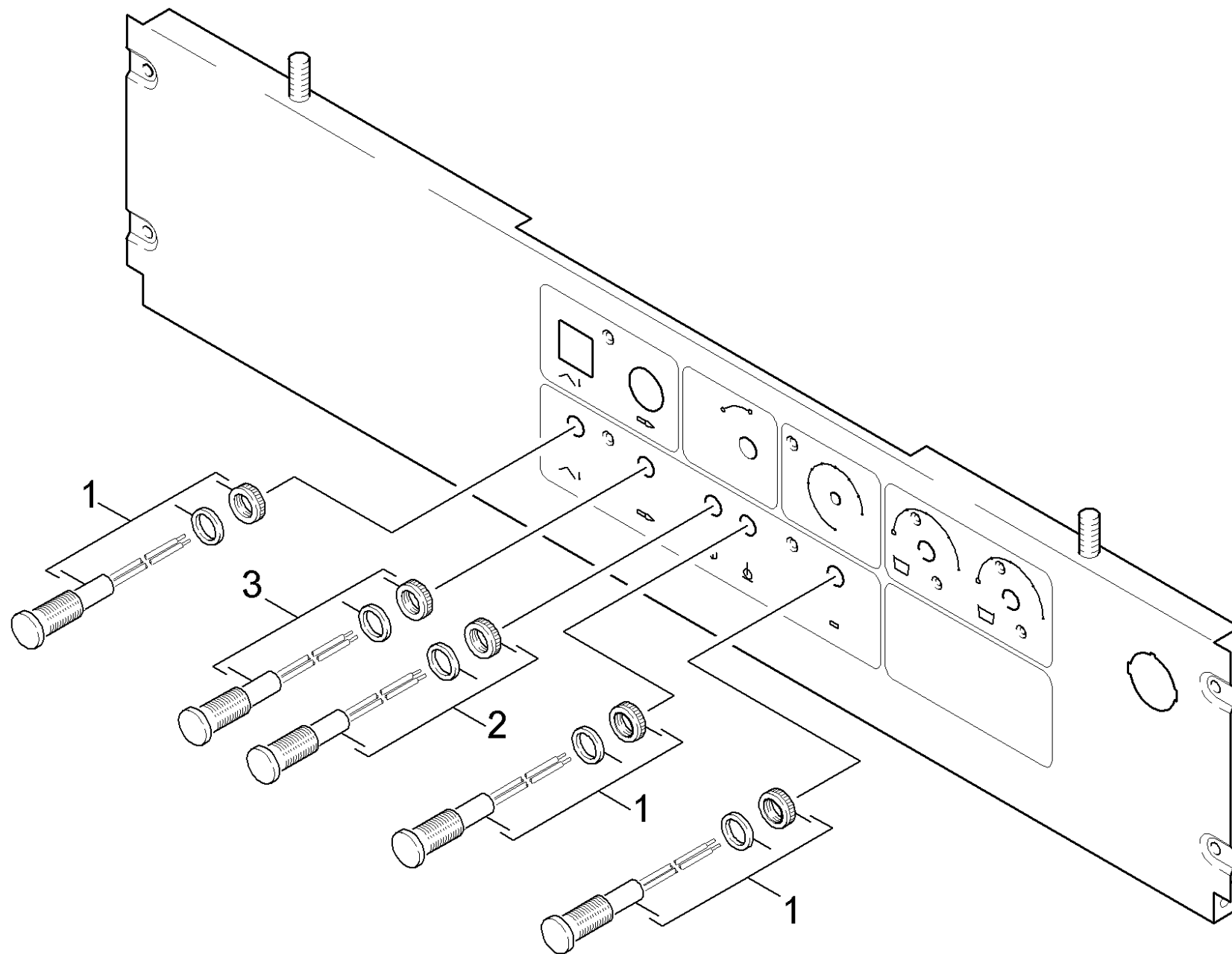
70 Tank

POS	Article no.	Description	Quantity	Unit
3	5.332-001.0	Helical spring	1.000	ST
11	6.304-153.0	Oval head screw M6x12-A2 aeahl: ISO 738	4.000	ST
13	5.065-643.0	Panel	1.000	ST
12	6.310-082.0	Putting nut M6	4.000	ST
6	7.303-095.0	Screw 4x 12-ST-10.9-R2R (IN6RD)	2.000	ST
7	7.303-080.0	Sheet metal screw ST4,8X32-ST-P2R (KOMB	2.000	ST
4	6.685-845.0	Solenoid valve	1.000	ST
10	6.310-034.0	Speed nut	2.000	ST
9	5.057-026.0	Support	2.000	ST
1	4.070-094.0	Tank	1.000	ST
8	7.312-278.0	Washer 5-200HV-A2E ISO7093-1	2.000	ST



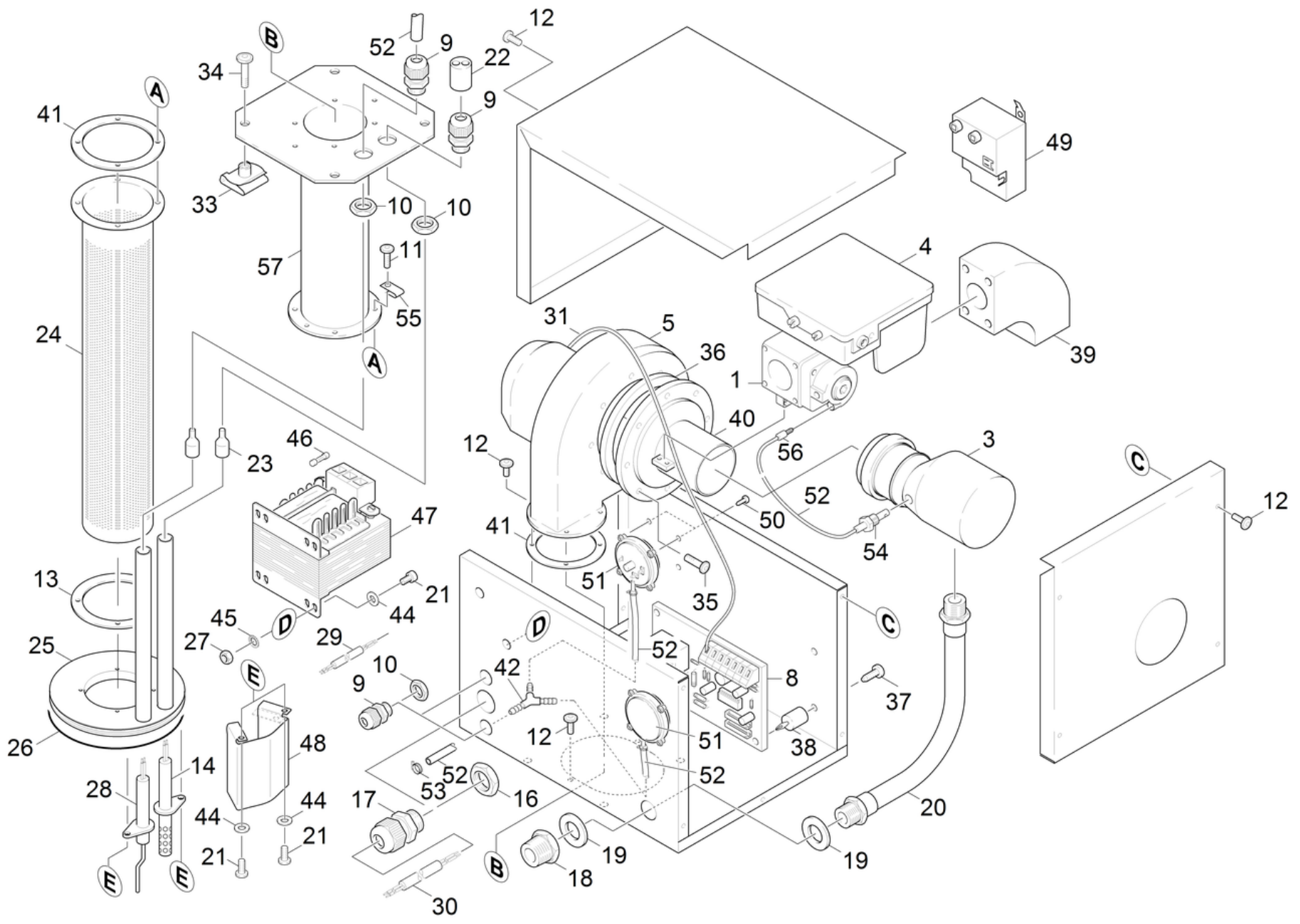
80 Control panel

POS	Article no.	Description	Quantity	Unit	Foot note text
18	6.373-346.0	Bolt	2.000	ST	
11	6.368-133.0	Cap	1.000	ST	
1	4.841-165.0	Control panel	1.000	ST	
9	7.303-125.0	Countersunk screw 4x16 -10.9-R2R (In6Rd	3.000	ST	
2	7.305-599.0	Countersunk screw M 5x10-A2-70-sw ISO 7	4.000	ST	
5	7.306-415.0	Cylinder head screw M3,5x12-4.8-A2E ISO1	1.000	ST	
19	6.343-006.0	Fuse	2.000	ST	
10	5.321-067.0	Handhold	1.000	ST	
4	5.321-235.0	Handhold	1.000	ST	
7	5.321-294.0	Handhold	1.000	ST	
20	5.332-028.0	Helical spring	1.000	ST	
12	7.311-430.0	Hexagon nut M4 -04-A2E DIN 985	2.000	ST	
3	7.311-421.0	Hexagon nut M 5-04-A2E DIN 985	4.000	ST	
28	6.388-561.0	Hose clip	1.000	ST	
25	7.373-019.0	Hose clip A 10-16x9-W4 DIN3017	1.000	ST	
26	6.388-194.0	Hose DN 7	1.000	M	TO ORDER AS CUT GOODS
27	6.388-247.0	Hose DN8 -PVC	1.000	M	TO ORDER AS CUT GOODS
29	6.362-386.0	O-Ring seal 5,0 x 1,5-NBR 80	1.000	ST	
23	6.362-712.0	O-Ring seal 25,3 X 2,4	1.000	ST	
6	5.132-010.0	Plug	3.000	ST	
17	6.421-170.0	Pressure gauge 0-315 BAR	1.000	ST	
30	7.303-035.0	Screw M4x30 -St-R2R (In6Rd)	2.000	ST	
16	7.303-076.0	Sheet metal screw ST4,8X13 -St-R2R (In6	4.000	ST	
13	6.310-121.0	Speed nut	4.000	ST	
15	7.313-002.0	Spring washer B 5-FSt-A3E DIN 127	4.000	ST	
8	7.307-181.0	Threaded pin M5x10-14H-A2E ISO 7434	1.000	ST	
21	4.580-064.0	Valve	1.000	ST	
24	5.587-054.0	Valve housing	1.000	ST	
22	5.581-039.0	Valve seat	1.000	ST	
14	7.312-052.0	Washer 5 -A2 ISO 7089	4.000	ST	



90 Pilot lamp

POS	Article no.	Description	Quantity	Unit
2	6.651-220.0	Pilot lamp green	1.000	ST
3	6.651-223.0	Pilot lamp red	1.000	ST
1	6.651-184.0	Pilot lamp red	3.000	ST



100 Burner

POS	Article no.	Description	Quantity	Unit	Remark	Foot note text
5	6.484-300.0	Blower antistatic /PWM	1.000	ST		
24	6.525-130.0	Burner	1.000	ST	1.251-103.0	
	Item text1: / 1.251-103.0					
25	4.664-085.0	Burner part complete	1.000	ST	1.251-103.0	
57	4.663-126.0	Burner tube	1.000	ST		
30	6.649-096.0	Cable	1.000	ST		
29	6.649-097.0	Cable	1.000	ST		
9	6.648-399.0	Cable gland black M16x1,5	4.000	ST		
17	6.648-401.0	Cable gland black M25X1,5	1.000	ST		
31	6.648-828.0	Cable PWM	1.000	ST		
1	6.525-123.0	Compact unit Gas	1.000	ST		
54	5.402-657.0	Connection piece	1.000	ST		
47	6.622-021.0	Control transformer 40VA	1.000	ST		
51	2.638-961.0	Conversion kit pressure switch air	2.000	ST		
38	6.647-425.0	Distance holder	4.000	ST		
39	6.395-131.0	Flange	1.000	ST		
46	6.644-052.0	Fuse insert slow G-2,0A	1.000	ST		
4	6.633-490.0	Gas firing automatic	1.000	ST		
55	5.041-121.0	Grounding tongue	1.000	ST		
34	7.304-521.0	Hexagonal head screw M 6x16-A4-70 ISO 4	4.000	ST		
27	7.311-064.0	Hexagon nut M 4-A2-70 ISO 4032	2.000	ST		
48	5.044-832.0	Holder	1.000	ST		
52	6.389-534.0	Hose	1.000	M		TO ORDER AS CUT GOODS
20	6.390-977.0	Hose assembly	1.000	ST		
53	6.391-657.0	Hose clip 8-16	2.000	ST		
56	6.391-091.0	Hose stem	1.000	ST		
28	6.526-216.0	Ionization electrode	1.000	ST		
10	6.648-415.0	Locknut black M16	4.000	ST		
16	6.648-206.0	Locknut black M25	1.000	ST		
22	6.648-494.0	Multiple sealing insert M16 2x4	1.000	ST		
40	6.415-832.0	Nozzle mouthpiece CVI Venturi	1.000	ST		
26	6.362-954.0	O-Ring seal 120X4 -NBR 70	1.000	ST		

100 Burner

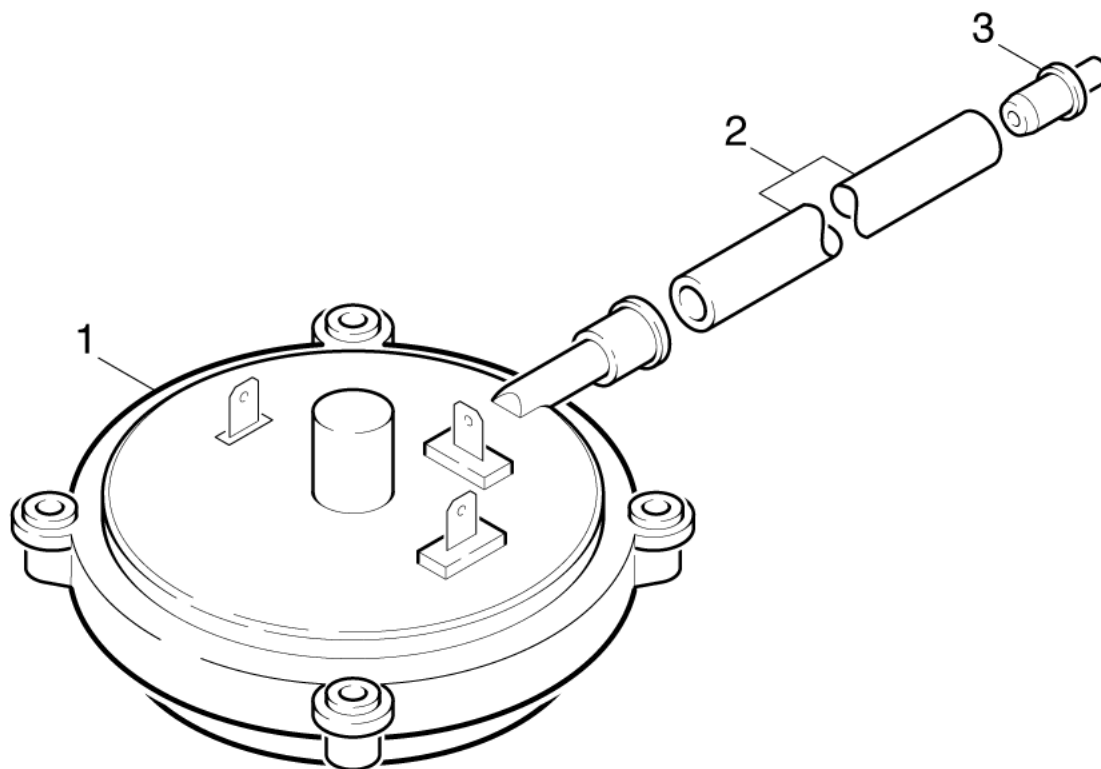
POS	Article no.	Description	Quantity	Unit	Remark	Foot note text
33	6.130-001.0	Putting nut	4.000	ST		
18	7.387-155.0	Reducing nipple N4-1"x1/2"-ZN-A EN 1024	1.000	ST		
23	6.641-754.0	RUBBER CAP	2.000	ST		
21	7.306-205.0	Screw M4x8 -A2-70 (In6Rd)	2.000	ST		
50	7.306-206.0	Screw M4x10 -A2-70 ISO 14583	4.000	ST		
11	7.306-207.0	Screw M4x12 -A2-70 (In6Rd)	4.000	ST		
12	7.303-032.0	Screw M4x12 -St-R2R (In6Rd)	8.000	ST		
35	7.303-038.0	Screw M5x12 -St-P2R (In6Rd)	2.000	ST		
13	6.363-206.0	Seal	1.000	ST	1.251-103.0	
41	6.363-345.0	Seal	1.000	ST	1.251-104.0	
41	6.363-247.0	Seal	1.000	ST	1.251-103.0	
13	6.363-347.0	Seal burner HDS 9/16ST	1.000	ST	1.251-104.0	
36	6.286-434.0	Seal Venturi (Kork)	1.000	ST		
8	6.682-673.0	Service electronics gas burner	1.000	ST		
100	6.369-837.0	Set of gaskets assembly kit Venturi	1.000	ST		SERVICE SET
37	7.303-136.0	Sheet metal screw ST3,5X 6,5-ST-R2R (IN	4.000	ST		
14	6.618-107.0	Spark plug	1.000	ST		
45	7.313-031.0	Spring washer A 4-Edelstahl DIN 128	2.000	ST		
49	6.622-260.0	Transformer	1.000	ST		
3	5.029-650.0	Tube	1.000	ST		
24	6.525-139.0	Tube burner	1.000	ST	1.251-104.0	
	Item text1: / 1.251-104.0					
25	4.664-087.0	Tube burner complete	1.000	ST	1.251-104.0	
44	7.312-067.0	Washer 4-A2 ISO 7089	4.000	ST		
19	7.312-145.0	Washer 22 -160HV-A3E EN28738	1.000	ST		
42	6.389-225.0	Y-Bushing Y5	1.000	ST		

51 Conversion kit pressure switch air (2.638-961.0)

POS	Article no.	Description	Quantity	Unit
8	5.958-505.0	Spare parts list pressure switch	1.000	ST
Item text2: 26389610				

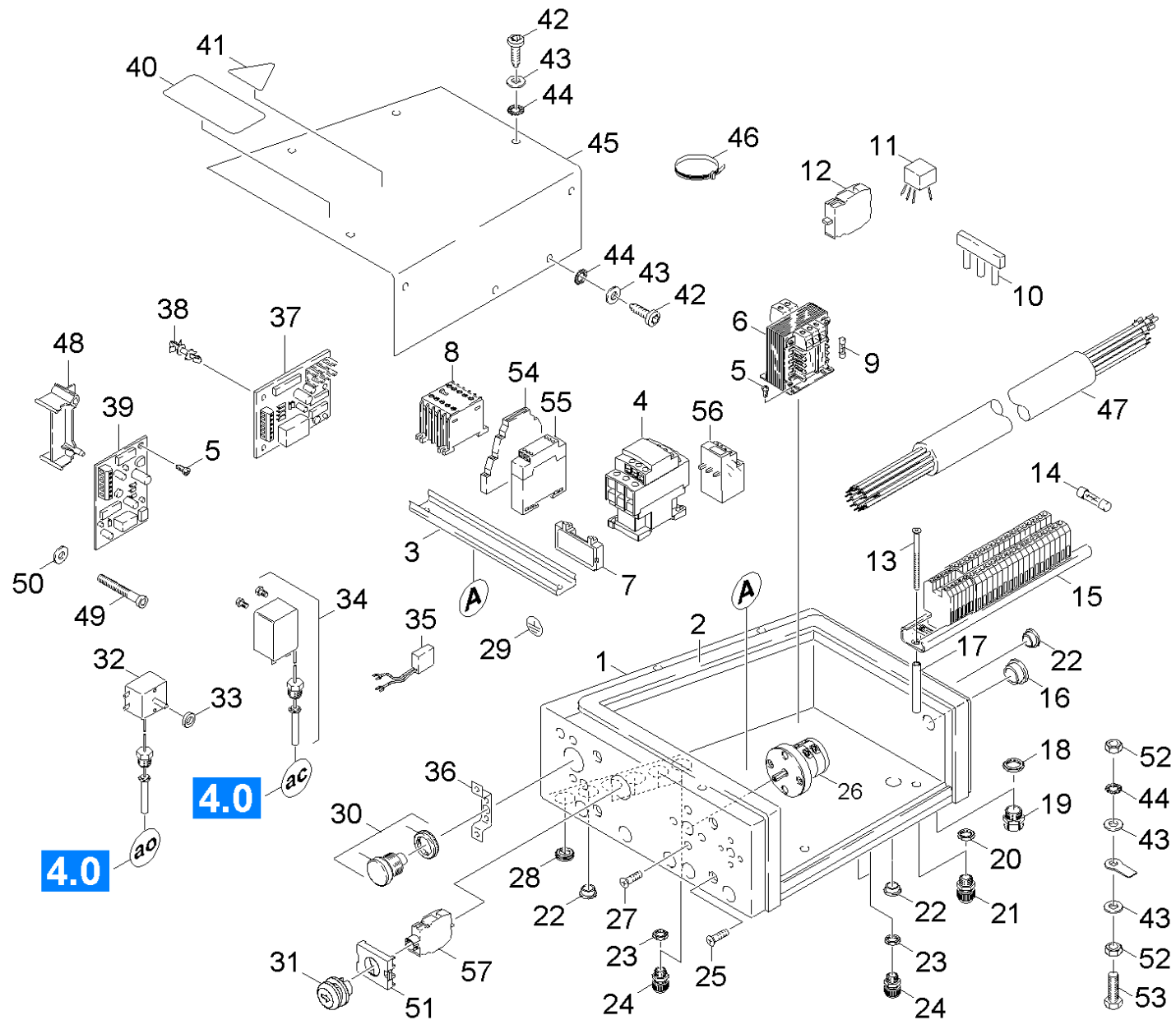
8 Spare parts list pressure switch (5.958-505.0)

POS	Description	Quantity	Unit
10	Conversion kit pressure switch	1.000	ST



10 Conversion kit pressure switch

POS	Article no.	Description	Quantity	Unit	Foot note text
3	5.409-270.0	Nipple	1.000	ST	
2	5.442-864.0	Piece of tube	1.000	ST	TO ORDER AS CUT GOODS
1	7.777-999.0	Stockpiling discontinued	1.000	ST	



110 Equipment cabinet

POS	Article no.	Description	Quantity	Unit	Foot note text
11	4.828-007.0	Anti-interference filter complete	1.000	ST	
8	6.632-282.0	Auxiliary contactor 40 GR0	1.000	ST	
22	6.648-423.0	Blind plug grey M16X1,5	3.000	ST	
16	6.648-425.0	Blind plug grey M25x1,5	1.000	ST	
10	6.643-726.0	Brigde only for replacement	1.000	ST	
24	6.648-398.0	Cable gland black M12x1,5	4.000	ST	
21	6.648-399.0	Cable gland black M16x1,5	7.000	ST	
19	6.648-401.0	Cable gland black M25X1,5	3.000	ST	
46	6.641-463.0	Cable tape	11.000	ST	
57	6.635-435.0	Contact element S	1.000	ST	
6	6.622-021.0	Control transformer 40VA	1.000	ST	
25	7.305-033.0	Countersunk screw M4x6-A2-70 (IN6RD)	4.000	ST	
27	7.305-022.0	Countersunk screw M4x12 -4.8-A2E ISO 20	2.000	ST	
45	5.063-968.0	Cover	1.000	ST	
30	5.324-073.0	Deblocking button	1.000	ST	
51	6.651-482.0	Fixed adapter	1.000	ST	
9	6.644-052.0	Fuse insert slow G-2,0A	1.000	ST	
14	6.644-146.0	Fuse medium time-lag 6,3A	2.000	ST	
36	5.042-481.0	Holder	1.000	ST	
41	5.386-007.0	Label	1.000	ST	
29	6.643-145.0	Label earthing	1.000	ST	
38	6.373-482.0	Locking hook	3.000	ST	
20	6.648-414.0	Locknut black M12	4.000	ST	
18	6.648-415.0	Locknut black M16	10.000	ST	
23	6.648-206.0	Locknut black M25	4.000	ST	
3	7.233-313.0	Mounting rail TH 35-7,5 -ST-ZE EN 60715	1.000	M	
56	6.633-481.0	Overload relay	1.000	ST	
4	6.632-334.0	Power contactor LC1 D32 B7	1.000	ST	
28	5.365-109.0	Profile gasket	1.000	ST	
39	4.633-058.0	Pulse generator only for replacement	1.000	ST	
31	6.651-487.0	Push button black	1.000	ST	
54	6.633-665.0	Relay 1W 24VAC/DC 6mm	2.000	ST	
35	6.632-275.0	Resistor	1.000	ST	

110 Equipment cabinet

POS	Article no.	Description	Quantity	Unit	Foot note text
7	6.632-351.0	Resistor	1.000	ST	
5	7.303-030.0	Screw M4x8 -St-P2R (In6Rd)	4.000	ST	
49	7.303-035.0	Screw M4x30 -St-R2R (In6Rd)	1.000	ST	
42	7.303-038.0	Screw M5x12 -St-P2R (In6Rd)	7.000	ST	
53	7.306-079.0	Screw M5x25 -8.8-P2R (In6Rd)	1.000	ST	
13	7.303-045.0	Screw M5x55 -St-ZNBHL (In6Rd)	2.000	ST	
2	6.273-042.0	Sealing tape 19x4	1.000	M	TO ORDER AS CUT GOODS
1	5.049-651.0	Sheet metal component	1.000	ST	
12	7.777-999.0	Stockpiling discontinued	1.000	ST	
50	7.777-999.0	Stockpiling discontinued	1.000	ST	
47	7.777-999.0	Stockpiling discontinued	1.000	ST	
15	6.643-802.0	Strip terminal	1.000	ST	
48	5.057-043.0	Support	1.000	ST	
26	6.631-081.0	Switch	1.000	ST	
34	6.686-323.0	Temperature limiter	1.000	ST	
32	6.685-716.0	Thermostat	1.000	ST	
55	6.633-365.0	Time relay Multifunktion	1.000	ST	
37	6.631-538.0	Timer module	1.000	ST	
44	7.312-172.0	Toothed lock washer A5,3-FSt-A3E DIN 67	8.000	ST	
17	5.025-727.0	Tube	2.000	ST	
40	5.386-008.0	Warning sign	1.000	ST	
43	7.312-002.0	Washer 5-200HV-A3E ISO 7090	9.000	ST	
33	6.362-254.0	Washer 12X5X2,0	1.000	ST	
52	7.312-065.0	Washer 22-A2 ISO 7090	2.000	ST	