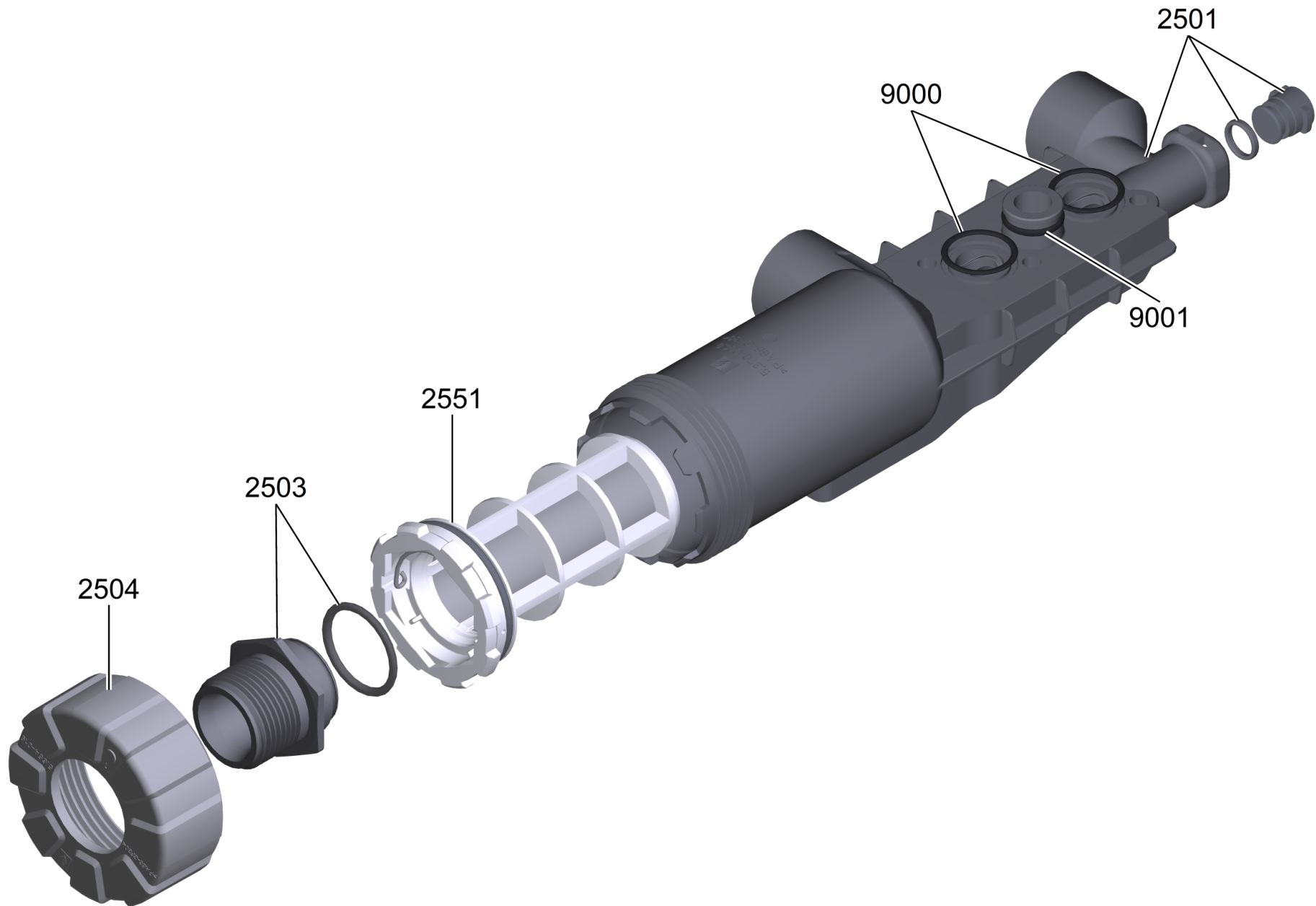


# 2050 Water intake cpl.

Professional \ High pressure cleaner cold water \ Electric motor \ HD 10/25-4 SXA \*EU-II \ HD 10/25-4 SXA \*EUII \ Unit HD 10/25-4 S \*SXA \*EUII \ Pump set HD 10/25-4 SX EUII 62W1628 \ Water intake cpl.



## 2050 Water intake cpl.

Professional \ High pressure cleaner cold water \ Electric motor \ HD 10/25-4 SXA \*EU-II \ HD 10/25-4 SXA \*EUII \ Unit HD 10/25-4 S \*SXA \*EUII \ Pump set HD 10/25-4 SX EUII 62W1628 \ Water intake cpl.

**KÄRCHER**

POS	Article no.	Description	Quantity	Unit
2501	4.101-075.0	Water intake cpl.	1	PC
2503	4.101-076.0	Connection piece water intake cpl.	1	PC
2551	4.370-000.0	Filter cartridge	1	PC
2504	5.654-019.0	Nut water intake	1	PC
9001	6.362-174.0	O-Ring seal 16,0 X 2,0-NBR 70	1	PC
9000	6.363-522.0	O-Ring seal 21,2 x 1,78	2	PC