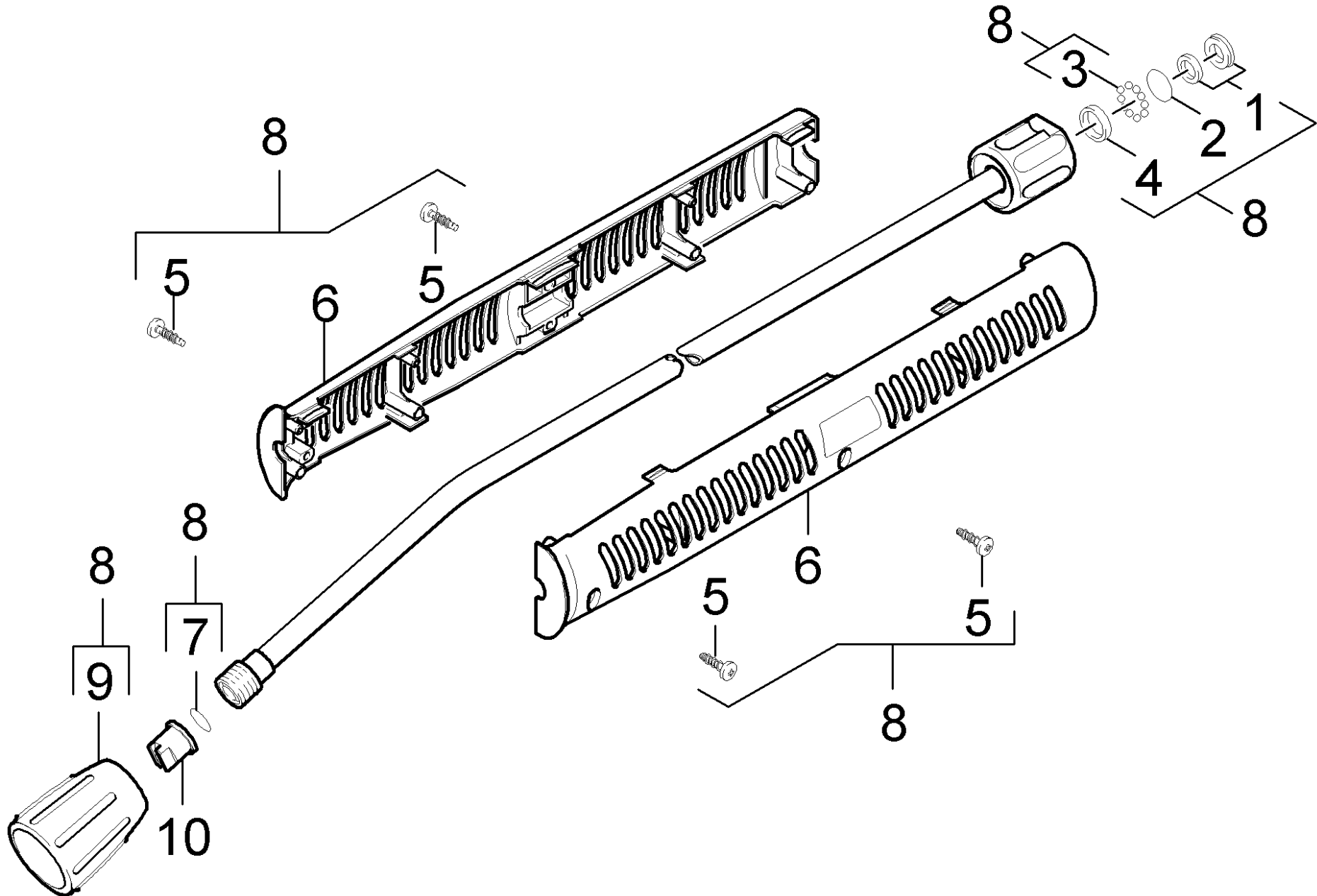


# 102 Jet pipe

Professional \ High pressure cleaner hotwater \ Electric motor \ HDS 600 CI \ Spare parts list HDS 600CI\*UL-US \ Accessories \ Jet pipe



## 102 Jet pipe

Professional \ High pressure cleaner hotwater \ Electric motor \ HDS 600 Cl \ Spare parts list HDS 600Cl\*UL-US \ Accessories \ Jet pipe

**KÄRCHER**

POS	Article no.	Description	Quantity	Unit
1	4.363-692.0	Grooved ring kpl. -nur fuer Ersatz-	1.000	ST
2	6.362-524.0	O-Ring seal 17,0 X 1,5	1.000	ST
3	7.401-921.0	Sphere 4 G20 -1.4034 DIN 5401	12.000	ST
4	6.362-529.0	Joint ring 12x1,5	1.000	ST
5	6.303-025.0	Oval head screw 4,2x16-St-vz	2.000	ST
6	5.321-150.0	HANDLE (PART NO=ONE HALF)	2.000	ST
7	2.880-990.0	Spare part set O-Ring 5x -Kaercher	1.000	ST
8	4.760-660.0	Jet pipe packaged only for replacement	1.000	ST
9	5.401-129.0	Screw connector part	1.000	ST
10	2.883-829.0	Power nozzle 25043	1.000	ST
	<b>Item text1:</b> / 1.852-408.0			
10	2.883-388.0	Power nozzle 15040-1	1.000	ST
	<b>Item text1:</b> / 1.852-407.0 / -409.0			