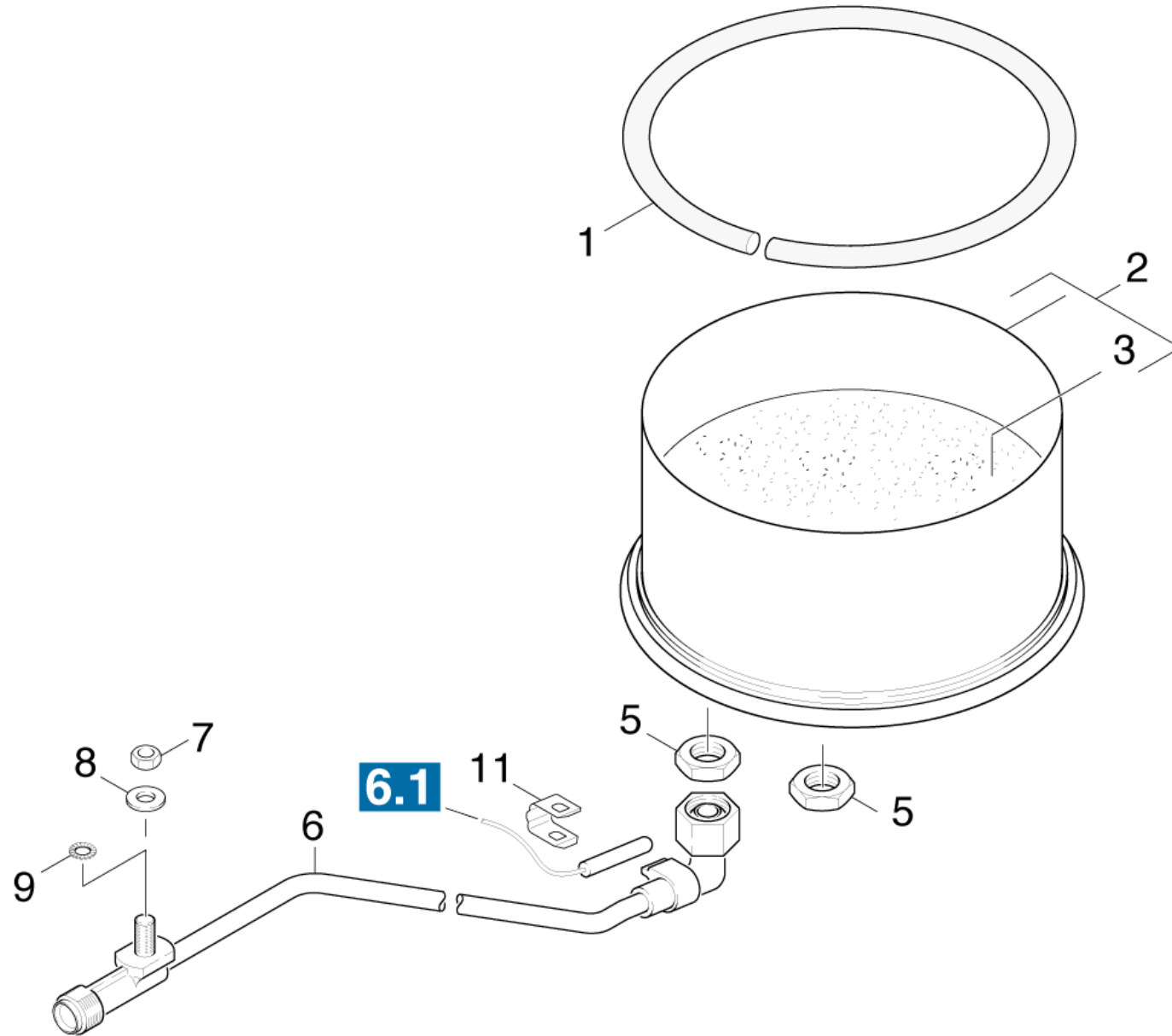


73 Burner bottom

Professional \ High pressure cleaner hotwater \ Electric motor \ HDS 695 S *EU \ Spare parts list HDS 695 S *EUR \ Flow heater \ Burner bottom



73 Burner bottom

Professional \ High pressure cleaner hotwater \ Electric motor \ HDS 695 S *EU \ Spare parts list HDS 695 S *EUR \ Flow heater \ Burner bottom

KÄRCHER

POS	Article no.	Description	Quantity	Unit
2	4.655-044.0	Bottom pressure boiler	1.000	ST
7	7.311-511.0	Hexagon nut M10-8-A2E ISO 7040	1.000	ST
5	7.311-112.0	Hexagon nut M22X1,5 -22H-A2E DIN 936	2.000	ST
6	4.421-645.0	Pipelines outlet	1.000	ST
	Item text1: / 1.025-303.0			
6	4.421-627.0	Pipelines outlet	1.000	ST
	Item text1: / 1.025-301.0 / -302.0 / -305.0 / -306.0 / -307.0 / -308.0 / -309.0 / -321.0 / -322.0			
3	2.889-061.0	Refractory material 8kg	1.000	ST
1	6.366-009.0	Seal string	1.000	ST
11	5.263-064.0	Tensioning part	1.000	ST
9	7.312-160.0	Toothed lock washer A10,5 -FSt-A3E DIN	1.000	ST
8	7.312-285.0	Washer 10 -200HV-A2E ISO7093-1	1.000	ST