

Spare parts list

(1.030-131.0) HDS 801 E - 12 KW

Table of contents

HDS 801 E - 12 KW (1.030-131.0)	4
Spare parts list HDS 801 E (5.955-576.0)	5
10 Individual parts	6
11 Cover	7
12 Frame	9
13 Handhold	11
20 Pump set	13
21 Piston	14
100 Pump set HDS 801 E (2.883-446.0)	16
22 Valves	17
100 Pump set HDS 801 E (2.883-446.0)	19
23 Quantity adjustment	20
100 Pump set HDS 801 E (2.883-446.0)	22
30 Motor	23
31 Transmission	24
32 Ventilation	27
40 Tank	29
41 Tank	30
42 Tank	33
50 Electric control box	36
51 Top part	37
52 Bottom part	39
53 Top part	42
54 Bottom part	44
55 Contactor	46
60 Float chest	48
70 Safety system	51
80 Accessories	53
81 Hand trigger gun	54
100 Spare part set (2.883-191.0)	56
82 Hand trigger gun	57
100 Spare part set 1450HW,1500HWS+SUPE (2.883-192.0)	59
83 Hand trigger gun	60
100 Spare part set (2.883-903.0)	62
84 Hand trigger gun	63
6 Lever complete (4.481-209.0)	65
85 Hand trigger gun	67
100 HDS 1290 GUN KIT (2.883-014.0)	69

Table of contents

86 Hand trigger gun	70
1 HAND TRIGGER GUN EASY PRESS (4.775-463.0)	72
9002 Lever complete (4.481-209.0)	74
4 Lever complete (4.481-209.0)	76
10 Hose assembly standard DN6 25MPa 10m (6.391-238.0)	78
87 Jet pipe	80
8 Jet pipe packaged only for replacement (4.760-660.0)	82
14 Screw connector part (5.401-210.0)	84
88 Jet pipe	85
Jet pipe packaged only for replacement (4.760-660.0)	87
14 Screw connector part (5.401-210.0)	89
89 Jet pipe	90
1 Jet pipe packaged only for replacement (4.760-660.0)	92
14 Screw connector part (5.401-210.0)	94
90 Control panel	95
91 Control panel	96
92 Control panel	98

HDS 801 E - 12 KW (1.030-131.0)

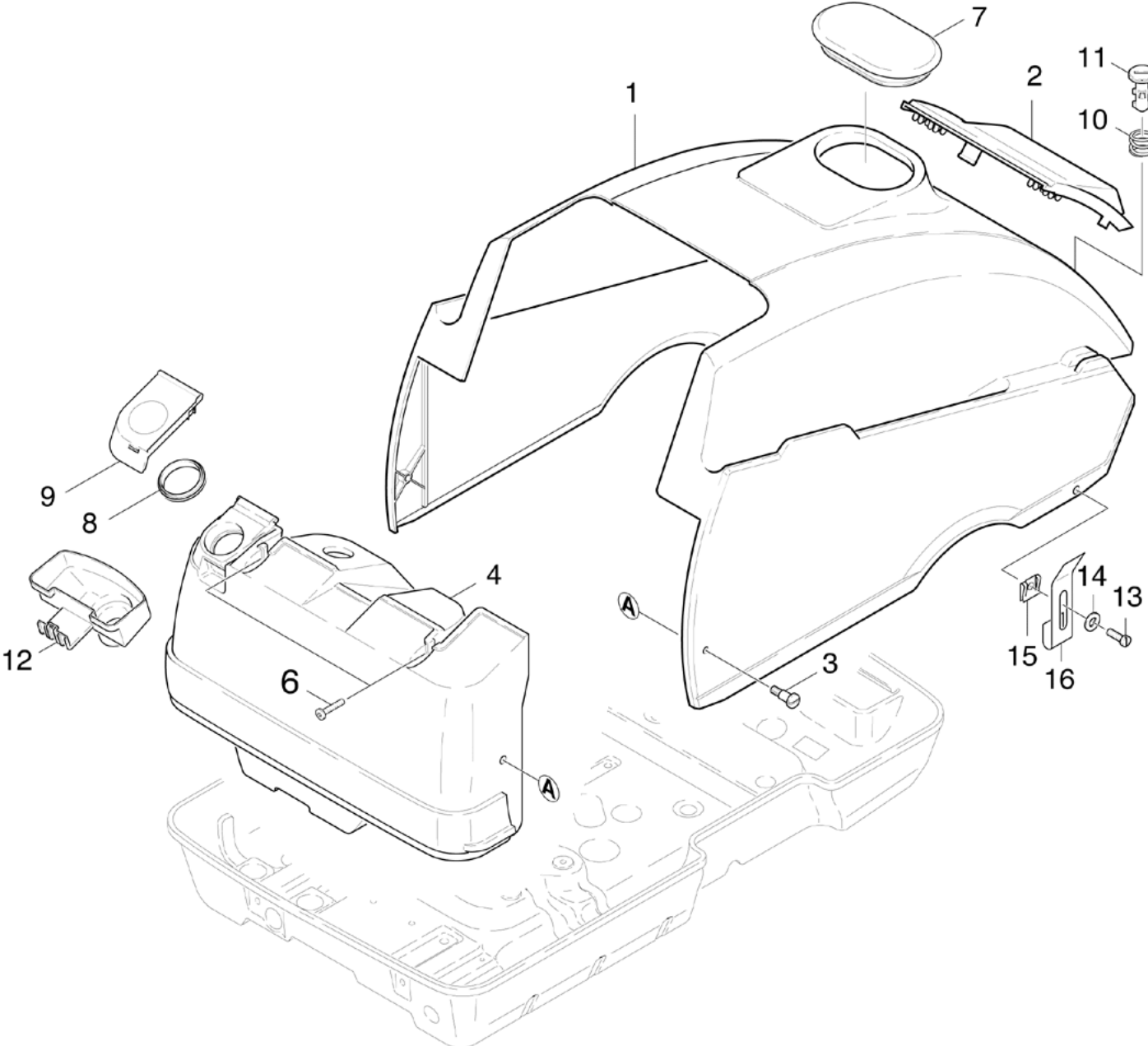
POS	Article no.	Description	Quantity	Unit
0	5.955-576.0	Spare parts list HDS 801 E	1.000	ST
Item text2: 10301310				

Spare parts list HDS 801 E (5.955-576.0)

POS	Description	Quantity	Unit
10	Individual parts	1.000	ST
20	Pump set	1.000	ST
30	Motor	1.000	ST
40	Tank	1.000	ST
50	Electric control box	1.000	ST
60	Float chest	1.000	ST
70	Safety system	1.000	ST
80	Accessories	1.000	ST
90	Control panel	1.000	ST

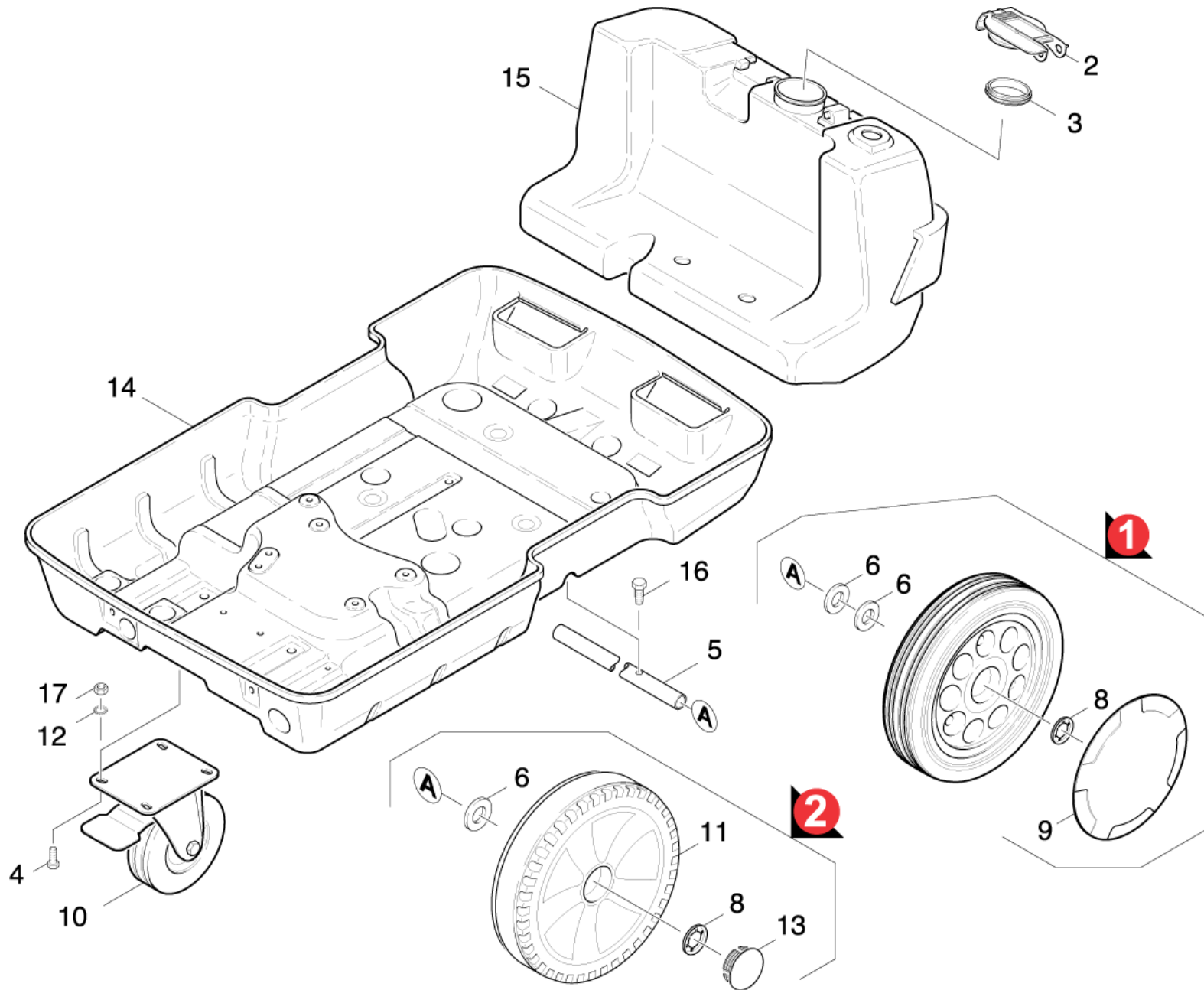
10 Individual parts

POS	Description	Quantity	Unit
11	Cover	1.000	ST
12	Frame	1.000	ST
13	Handhold	1.000	ST



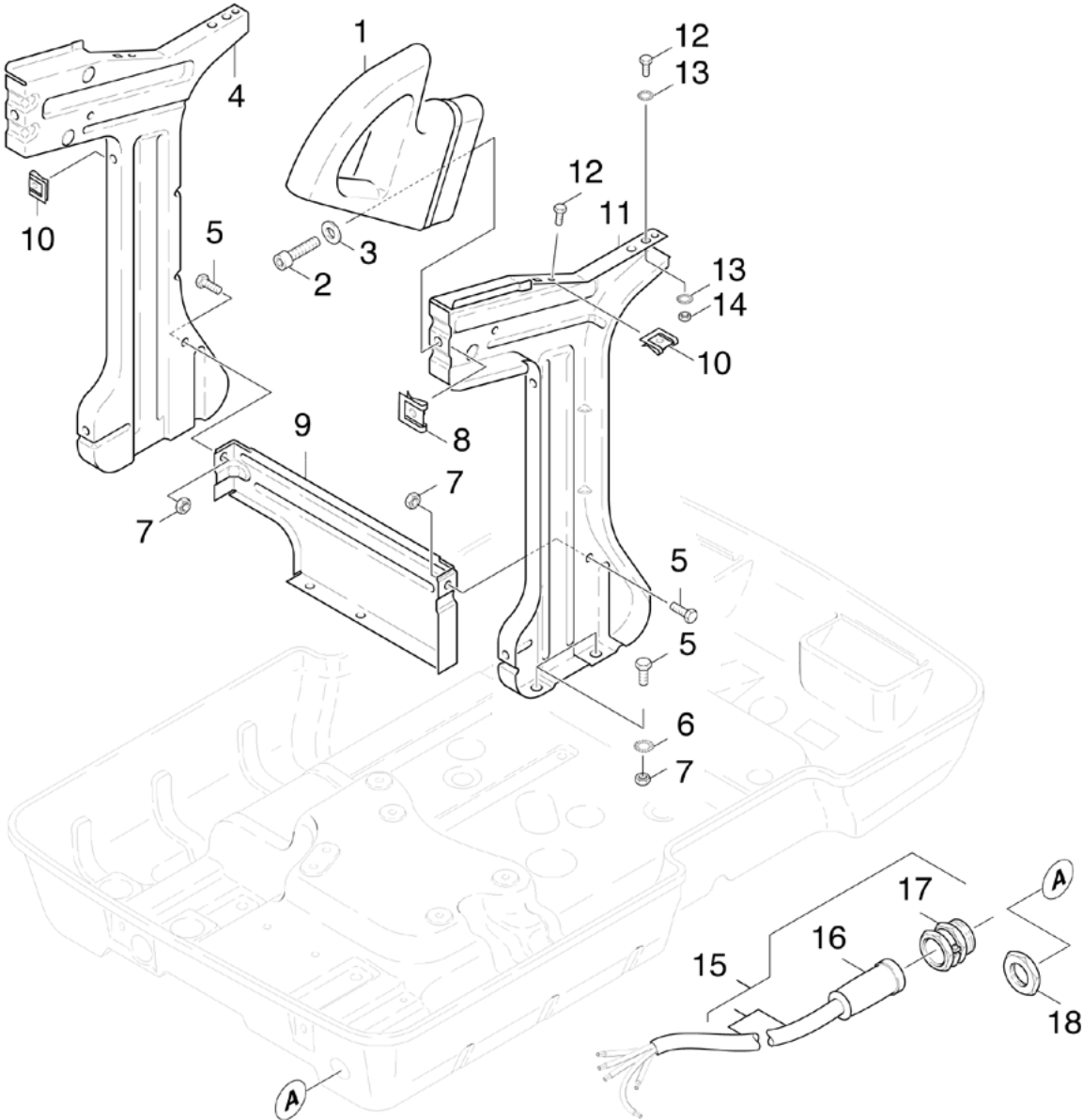
11 Cover

POS	Article no.	Description	Quantity	Unit	Foot note text
1	5.066-589.0	Cover	1.000	ST	
	Item text1: / 1.030-461.0 / -771.0				
1	4.066-384.0	Cover Ersatz-alte HDS-M nieder o. Blech	1.000	ST	
	Item text1: / 1.030-111.0 / -131.0 / -281.0				
	Item text2: / -461.0 / -601.0				
2	5.030-834.0	Flap	1.000	ST	YELLOW
2	5.030-001.0	Flap	1.000	ST	ANTHRACITE
3	5.305-204.0	Shaped screw	2.000	ST	
4	5.071-079.0	Tank chemistry	1.000	ST	
6	6.303-172.0	Oval head screw M 6X 34	2.000	ST	
7	5.063-576.0	Cover	1.000	ST	
8	5.363-290.0	Joint ring	1.000	ST	
9	5.063-575.0	Cover	1.000	ST	
10	5.332-236.0	Helical spring	1.000	ST	
11	5.316-318.0	Bolt	1.000	ST	
13	7.306-092.0	Screw M6x20-ST- 8.8-R3R (IN6RD)	1.000	ST	
	Item text1: / 1.030-291.0 / -771.0				
14	7.312-033.0	Washer 6-CuZn-E2E ISO7090	1.000	ST	
15	6.310-085.0	Putting nut M6	1.000	ST	
16	5.004-616.0	Strap	1.000	ST	



12 Frame

POS	Article no.	Description	Quantity	Unit
2	5.063-448.0	Cover	1.000	ST
3	5.363-300.0	Joint ring	1.000	ST
4	7.304-395.0	Hexagonal head screw M8x16-8.8-A2E ISO	4.000	ST
5	5.105-163.0	Axle	1.000	ST
6	7.312-060.0	Washer 24-100HV-A3E ISO 7091	4.000	ST
8	6.343-162.0	Lock washer -25	2.000	ST
9	5.392-017.0	Wheel cap	2.000	ST
10	6.435-071.0	Castor 125	1.000	ST
11	4.515-092.0	Wheel complete	2.000	ST
12	7.312-166.0	Toothed lock washer A8,4-FSt-A3E DIN 67	2.000	ST
13	5.392-038.0	Wheel cap	2.000	ST
14	5.050-046.0	Frame	1.000	ST
15	5.071-047.0	Tank chemistry	1.000	ST
16	6.303-031.0	Screw M8x16-ST-R2R DIN 7500-1	2.000	ST
17	7.311-004.0	Hexagon nut M8 -8-A3E ISO 4032	4.000	ST

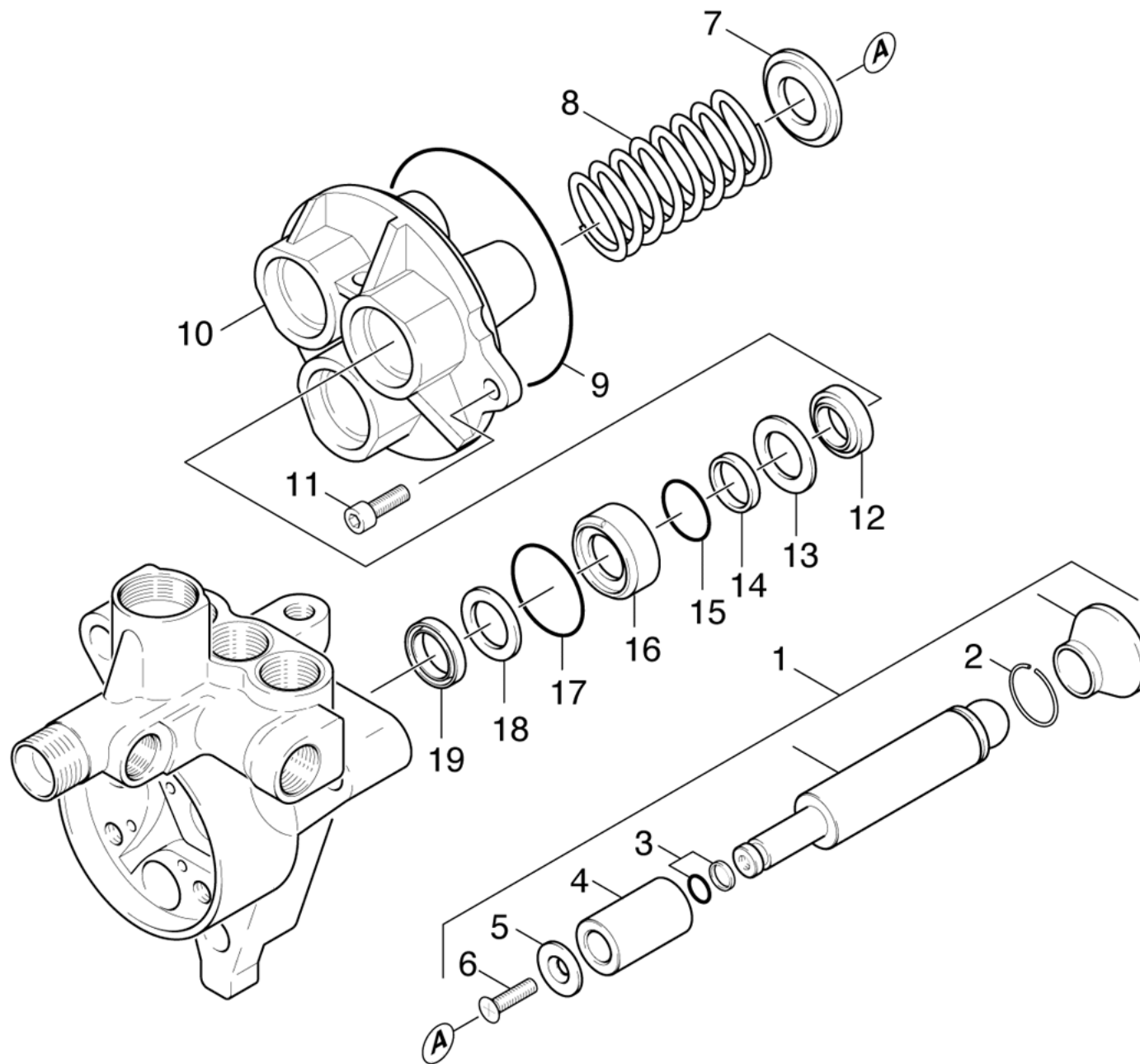


13 Handhold

POS	Article no.	Description	Quantity	Unit
1	5.321-647.0	Sliding handle	2.000	ST
2	7.306-049.0	Cylinder head screw M 8x45-8.8-A2E ISO	2.000	ST
3	7.312-004.0	Washer 8 -200HV-A3E ISO 7089	2.000	ST
4	5.052-033.0	Stand left	1.000	ST
5	7.304-395.0	Hexagonal head screw M8x16-8.8-A2E ISO	6.000	ST
6	7.312-166.0	Toothed lock washer A8,4-FSt-A3E DIN 67	3.000	ST
7	7.311-004.0	Hexagon nut M8 -8-A3E ISO 4032	6.000	ST
8	6.310-083.0	Putting nut M8	2.000	ST
9	5.055-120.0	Stay	1.000	ST
10	6.310-082.0	Putting nut M6	4.000	ST
11	5.052-035.0	Stand right	1.000	ST
12	7.304-382.0	Hexagonal head screw M 6x12-8.8-A2E ISO	4.000	ST
13	7.312-167.0	Toothed lock washer A6,4-FSt-A3E DIN 67	4.000	ST
14	7.311-003.0	Hexagon nut M6 -8-A2E ISO 4032	2.000	ST
15	4.820-800.0	Cable	1.000	ST
	Item text1: / 1.030-131.0 / -281.0 / -291.0			
15	4.820-796.0	Cable	1.000	ST
	Item text1: / 1.030-111.0 / -461.0 / -601.0			
	Item text2: / -771.0			
16	7.777-999.0	Stockpiling discontinued	1.000	ST
17	6.641-359.0	Cable gland PG36	1.000	ST
18	6.641-378.0	Locknut Pg36	1.000	ST

20 Pump set

POS	Description	Quantity	Unit
21	Piston	1.000	ST
22	Valves	1.000	ST
23	Quantity adjustment	1.000	ST

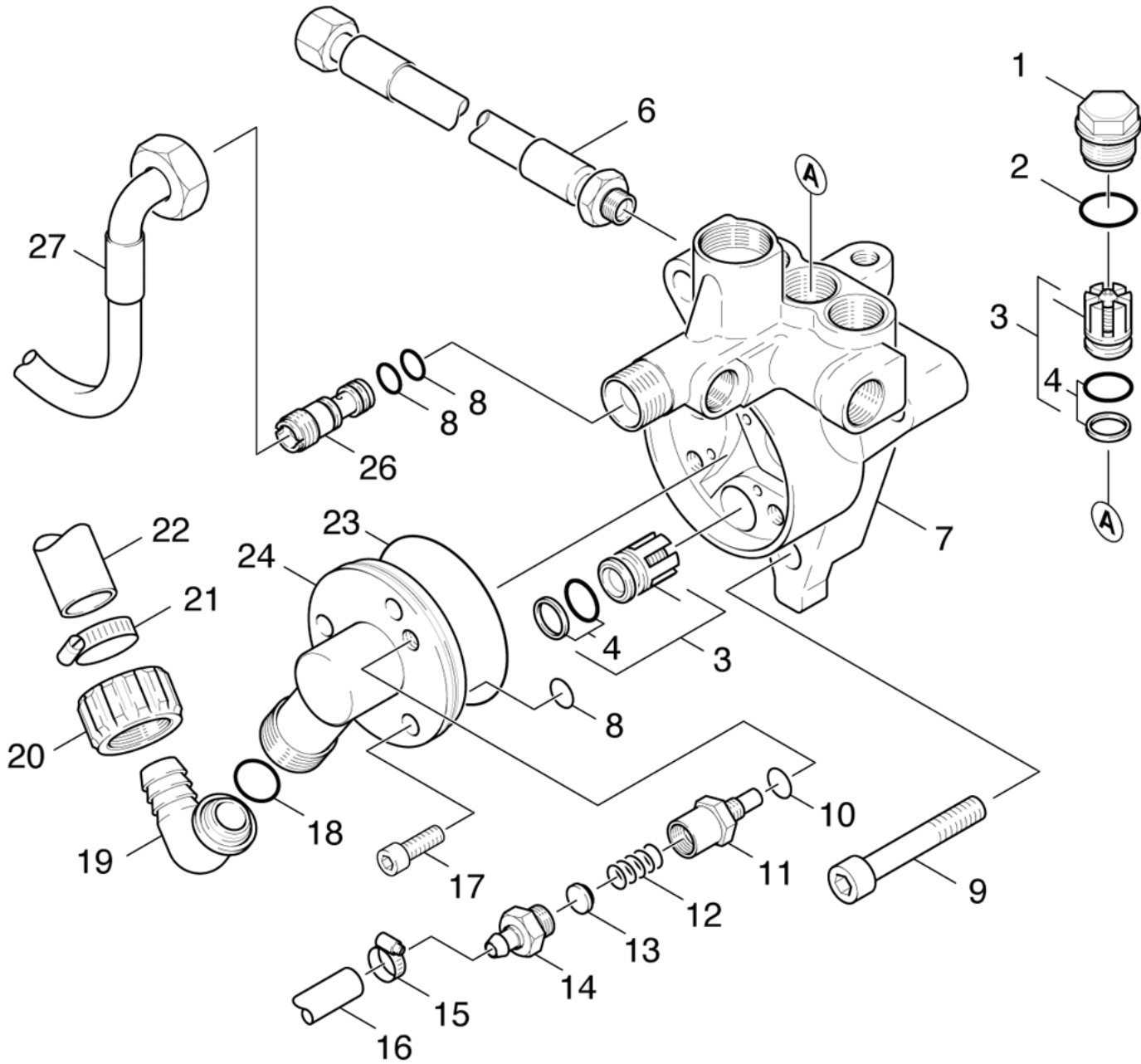


21 Piston

POS	Article no.	Description	Quantity	Unit
1	4.553-099.0	Piston complete	3.000	ST
2	6.472-331.0	Snap ring 20	3.000	ST
3	6.362-365.0	O-Ring seal complete 1ST.-R.- 7,65X 1,7	3.000	ST
4	5.110-220.3	Sleeve ceramic	3.000	ST
5	5.116-076.0	Washer	3.000	ST
6	6.305-004.0	Countersunk screw M 5X 20-A2-70-sw	3.000	ST
7	5.115-289.0	Washer	3.000	ST
8	5.332-150.0	Helical spring	3.000	ST
9	6.362-448.0	O-Ring seal 100,0 X 1,78	1.000	ST
10	5.060-261.0	Housing	1.000	ST
11	7.306-042.0	Cylinder head screw M8x25 -8.8-A2E ISO4	2.000	ST
12	6.365-052.0	Grooved ring 20X28X6/8	3.000	ST
13	5.115-409.0	Washer	3.000	ST
14	5.363-232.0	Joint ring	3.000	ST
15	6.362-614.0	O-Ring seal 21,0 X 4,0-FPM 83 VITON	3.000	ST
16	5.112-346.0	Bush	3.000	ST
17	6.363-607.0	O-Ring seal 34,65 x 1,78 -NBR70	3.000	ST
18	5.115-435.0	Washer	3.000	ST
19	6.365-330.0	Grooved ring	3.000	ST
100	2.883-446.0	Pump set HDS 801 E	1.000	ST

100 Pump set HDS 801 E (2.883-446.0)

POS	Article no.	Description	Quantity	Unit
10	4.580-178.0	Valve complete	6.000	ST
20	5.115-409.0	Washer	3.000	ST
30	5.115-435.0	Washer	3.000	ST
40	5.332-203.0	Helical spring	1.000	ST
50	5.363-232.0	Joint ring	3.000	ST
60	5.582-003.0	Valve disc	1.000	ST
70	5.582-075.0	Valve disc	1.000	ST
80	6.362-153.0	O-Ring seal 15,3 X 2,4-NBR 70	3.000	ST
90	6.362-169.0	O-Ring seal 12,0 X 2,0	1.000	ST
100	6.362-384.0	O-Ring seal 9x1,5 - NBR 70	5.000	ST
110	6.362-448.0	O-Ring seal 100,0 X 1,78	1.000	ST
120	6.362-468.0	O-Ring seal complete 1ST.-R.	1.000	ST
130	6.362-480.0	O-Ring seal 12,42x 1,78	1.000	ST
140	6.363-607.0	O-Ring seal 34,65 x 1,78 -NBR70	3.000	ST
150	6.362-501.0	O-Ring seal 68,0 X 2,0-NBR 70	1.000	ST
160	6.362-527.0	O-Ring seal 12,0 X 1,5-NBR 70	2.000	ST
170	6.362-596.0	O-Ring seal 22,0 X 1,5	1.000	ST
180	6.362-610.0	O-Ring seal complete 2ST.-R.	1.000	ST
190	6.362-614.0	O-Ring seal 21,0 X 4,0-FPM 83 VITON	3.000	ST
200	6.365-052.0	Grooved ring 20X28X6/8	3.000	ST
210	6.365-330.0	Grooved ring	3.000	ST
220	7.401-908.0	Sphere 7 G300 -1.4301 DIN 5401	1.000	ST

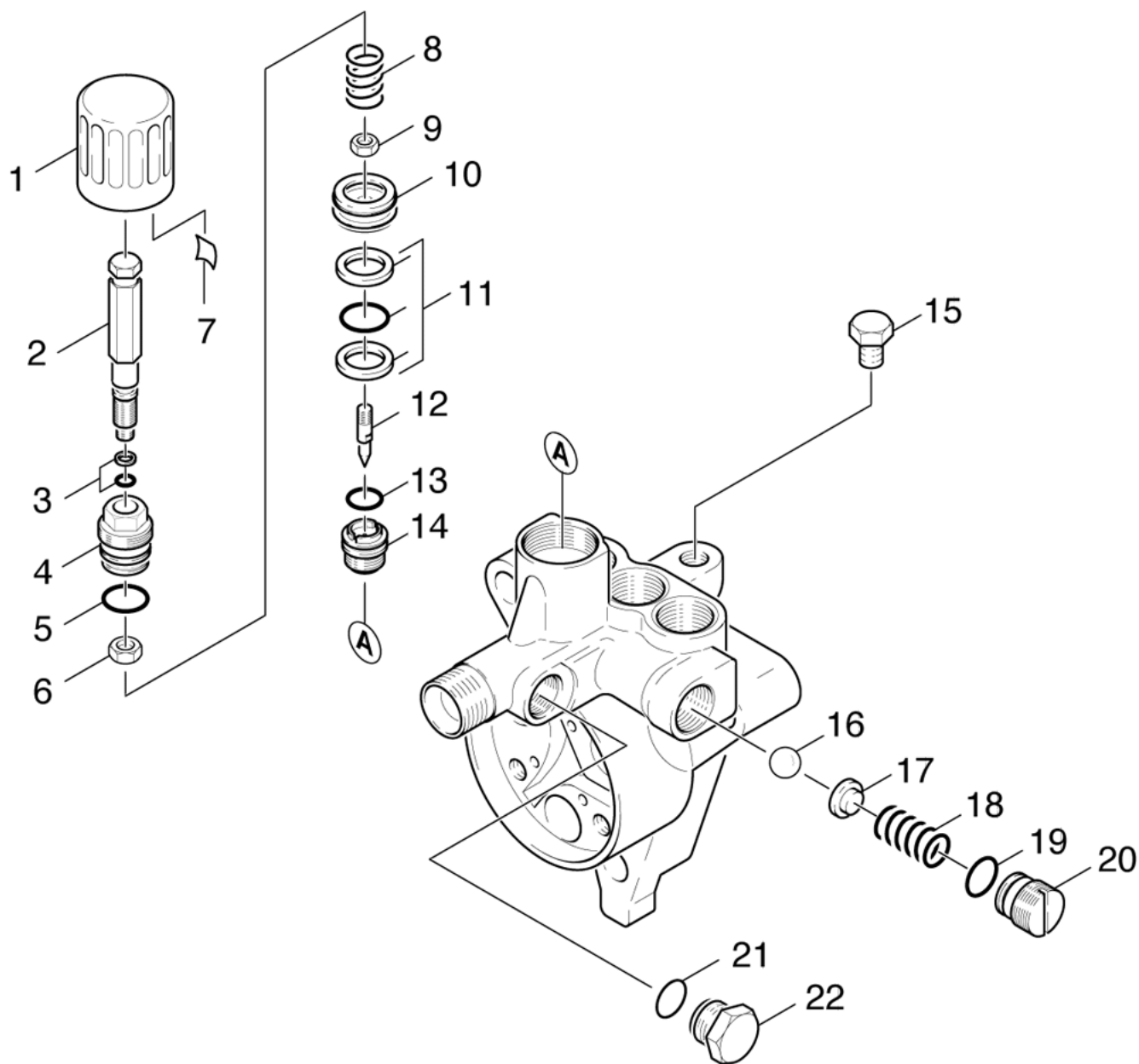


22 Valves

POS	Article no.	Description	Quantity	Unit	Foot note text
1	5.583-090.0	Valve screw	1.000	ST	
2	6.362-153.0	O-Ring seal 15,3 X 2,4-NBR 70	3.000	ST	
3	2.884-910.0	Valve (3 Stück)	1.000	ST	
4	4.363-693.0	O-Ring seal kpl. -nur fuer Ersatz-	6.000	ST	
6	6.389-791.0	High pressure hose DN5/710 mm	1.000	ST	
7	4.550-098.0	Cylinder head complete	1.000	ST	
8	6.362-384.0	O-Ring seal 9x1,5 - NBR 70	5.000	ST	
9	7.306-122.0	Cylinder head screw M12x80- 8.8-A3E IS	3.000	ST	
10	6.362-527.0	O-Ring seal 12,0 X 1,5-NBR 70	1.000	ST	
11	5.587-185.0	Valve housing	1.000	ST	
12	5.332-124.0	Helical spring	1.000	ST	
13	5.582-003.0	Valve disc	1.000	ST	
14	5.581-128.0	Valve seat	1.000	ST	
15	6.388-515.0	Hose clip	1.000	ST	
16	6.388-194.0	Hose DN 7	1.000	M	TO ORDER AS CUT GOODS
17	7.306-042.0	Cylinder head screw M8x25 -8.8-A2E ISO4	3.000	ST	
18	6.362-078.0	O-Ring seal 13,3x2,4	1.000	ST	
19	5.443-285.0	Hose stem	1.000	ST	
20	5.310-062.0	Nut	1.000	ST	
21	7.777-999.0	Stockpiling discontinued	1.000	ST	
22	6.388-719.0	Hose DN17	1.000	M	TO ORDER AS CUT GOODS
23	6.362-501.0	O-Ring seal 68,0 X 2,0-NBR 70	1.000	ST	
24	5.063-364.0	Housing cover	1.000	ST	
26	5.769-079.0	Nozzle insert D1.8/ D2.7/ L38	1.000	ST	
27	6.389-424.0	High pressure hose DN 8	1.000	ST	
100	2.883-446.0	Pump set HDS 801 E	1.000	ST	

100 Pump set HDS 801 E (2.883-446.0)

POS	Article no.	Description	Quantity	Unit
10	4.580-178.0	Valve complete	6.000	ST
20	5.115-409.0	Washer	3.000	ST
30	5.115-435.0	Washer	3.000	ST
40	5.332-203.0	Helical spring	1.000	ST
50	5.363-232.0	Joint ring	3.000	ST
60	5.582-003.0	Valve disc	1.000	ST
70	5.582-075.0	Valve disc	1.000	ST
80	6.362-153.0	O-Ring seal 15,3 X 2,4-NBR 70	3.000	ST
90	6.362-169.0	O-Ring seal 12,0 X 2,0	1.000	ST
100	6.362-384.0	O-Ring seal 9x1,5 - NBR 70	5.000	ST
110	6.362-448.0	O-Ring seal 100,0 X 1,78	1.000	ST
120	6.362-468.0	O-Ring seal complete 1ST.-R.	1.000	ST
130	6.362-480.0	O-Ring seal 12,42x 1,78	1.000	ST
140	6.363-607.0	O-Ring seal 34,65 x 1,78 -NBR70	3.000	ST
150	6.362-501.0	O-Ring seal 68,0 X 2,0-NBR 70	1.000	ST
160	6.362-527.0	O-Ring seal 12,0 X 1,5-NBR 70	2.000	ST
170	6.362-596.0	O-Ring seal 22,0 X 1,5	1.000	ST
180	6.362-610.0	O-Ring seal complete 2ST.-R.	1.000	ST
190	6.362-614.0	O-Ring seal 21,0 X 4,0-FPM 83 VITON	3.000	ST
200	6.365-052.0	Grooved ring 20X28X6/8	3.000	ST
210	6.365-330.0	Grooved ring	3.000	ST
220	7.401-908.0	Sphere 7 G300 -1.4301 DIN 5401	1.000	ST



23 Quantity adjustment

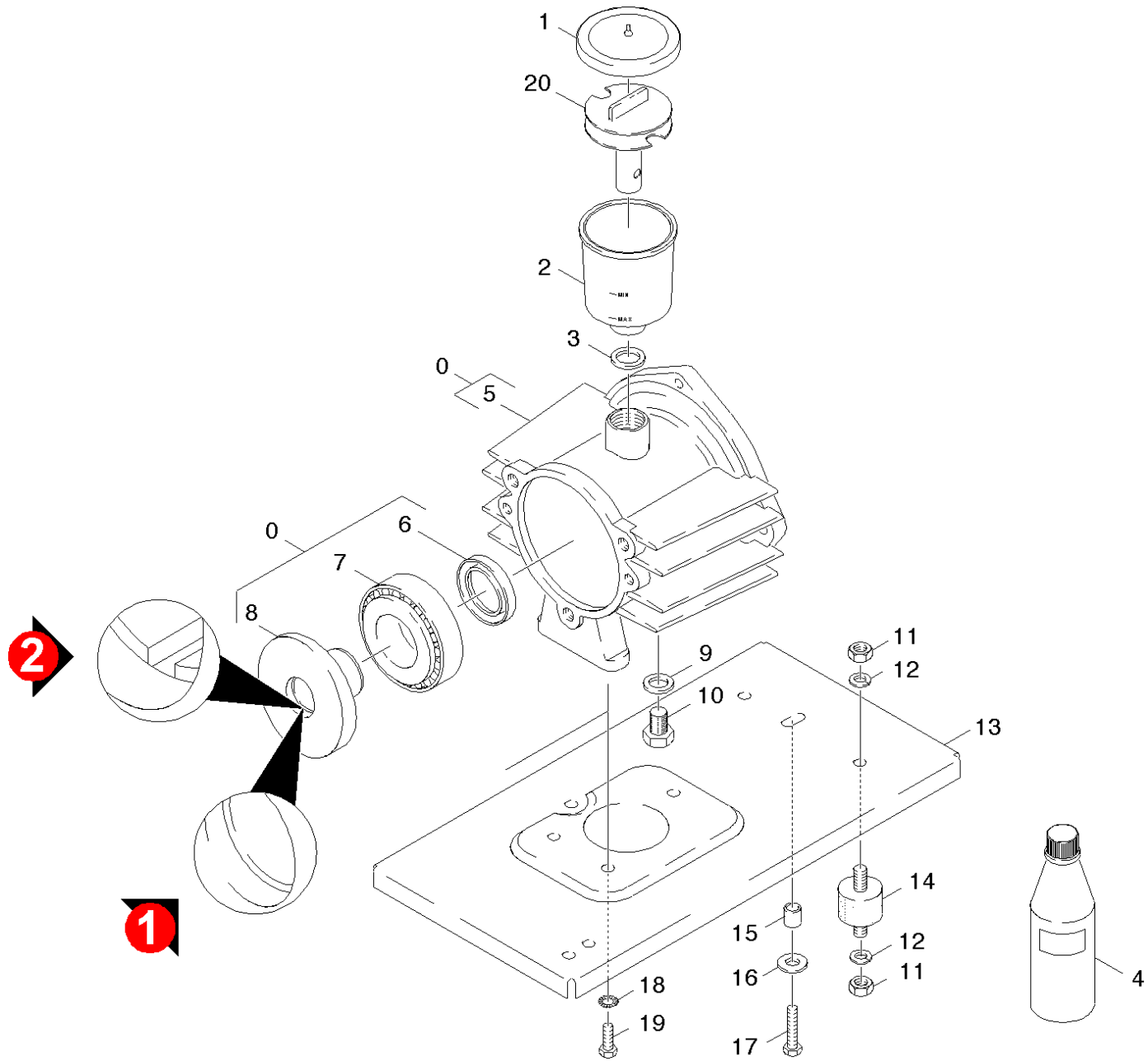
POS	Article no.	Description	Quantity	Unit
1	5.321-283.0	Handhold	1.000	ST
2	5.304-051.0	Hexagonal head screw	1.000	ST
3	6.362-468.0	O-Ring seal complete 1ST.-R.	1.000	ST
4	5.411-057.0	Screw plug	1.000	ST
5	6.362-596.0	O-Ring seal 22,0 X 1,5	1.000	ST
6	7.311-218.0	Hexagon nut M 6-LH-CU2 ISO 4035	1.000	ST
7	6.313-003.0	Locking spring	1.000	ST
8	5.332-160.0	Helical spring	1.000	ST
9	7.311-037.0	Hexagon nut M 5-CU2 ISO 4032	1.000	ST
10	5.553-217.0	Piston	1.000	ST
11	6.362-610.0	O-Ring seal complete 2ST.-R.	1.000	ST
12	5.584-066.0	Valve pin	1.000	ST
13	6.362-480.0	O-Ring seal 12,42x 1,78	1.000	ST
14	5.581-126.0	Valve seat	1.000	ST
15	7.382-273.0	Screw plug R1/4"-CuZn DIN 909	1.000	ST
16	7.401-908.0	Sphere 7 G300 -1.4301 DIN 5401	1.000	ST
17	5.582-075.0	Valve disc	1.000	ST
18	5.332-203.0	Helical spring	1.000	ST
19	6.362-169.0	O-Ring seal 12,0 X 2,0	1.000	ST
20	5.583-089.0	Valve screw	1.000	ST
21	6.362-527.0	O-Ring seal 12,0 X 1,5-NBR 70	1.000	ST
22	5.411-074.0	Screw plug	1.000	ST
100	2.883-446.0	Pump set HDS 801 E	1.000	ST

100 Pump set HDS 801 E (2.883-446.0)

POS	Article no.	Description	Quantity	Unit
10	4.580-178.0	Valve complete	6.000	ST
20	5.115-409.0	Washer	3.000	ST
30	5.115-435.0	Washer	3.000	ST
40	5.332-203.0	Helical spring	1.000	ST
50	5.363-232.0	Joint ring	3.000	ST
60	5.582-003.0	Valve disc	1.000	ST
70	5.582-075.0	Valve disc	1.000	ST
80	6.362-153.0	O-Ring seal 15,3 X 2,4-NBR 70	3.000	ST
90	6.362-169.0	O-Ring seal 12,0 X 2,0	1.000	ST
100	6.362-384.0	O-Ring seal 9x1,5 - NBR 70	5.000	ST
110	6.362-448.0	O-Ring seal 100,0 X 1,78	1.000	ST
120	6.362-468.0	O-Ring seal complete 1ST.-R.	1.000	ST
130	6.362-480.0	O-Ring seal 12,42x 1,78	1.000	ST
140	6.363-607.0	O-Ring seal 34,65 x 1,78 -NBR70	3.000	ST
150	6.362-501.0	O-Ring seal 68,0 X 2,0-NBR 70	1.000	ST
160	6.362-527.0	O-Ring seal 12,0 X 1,5-NBR 70	2.000	ST
170	6.362-596.0	O-Ring seal 22,0 X 1,5	1.000	ST
180	6.362-610.0	O-Ring seal complete 2ST.-R.	1.000	ST
190	6.362-614.0	O-Ring seal 21,0 X 4,0-FPM 83 VITON	3.000	ST
200	6.365-052.0	Grooved ring 20X28X6/8	3.000	ST
210	6.365-330.0	Grooved ring	3.000	ST
220	7.401-908.0	Sphere 7 G300 -1.4301 DIN 5401	1.000	ST

30 Motor

POS	Description	Quantity	Unit
31	Transmission	1.000	ST
32	Ventilation	1.000	ST

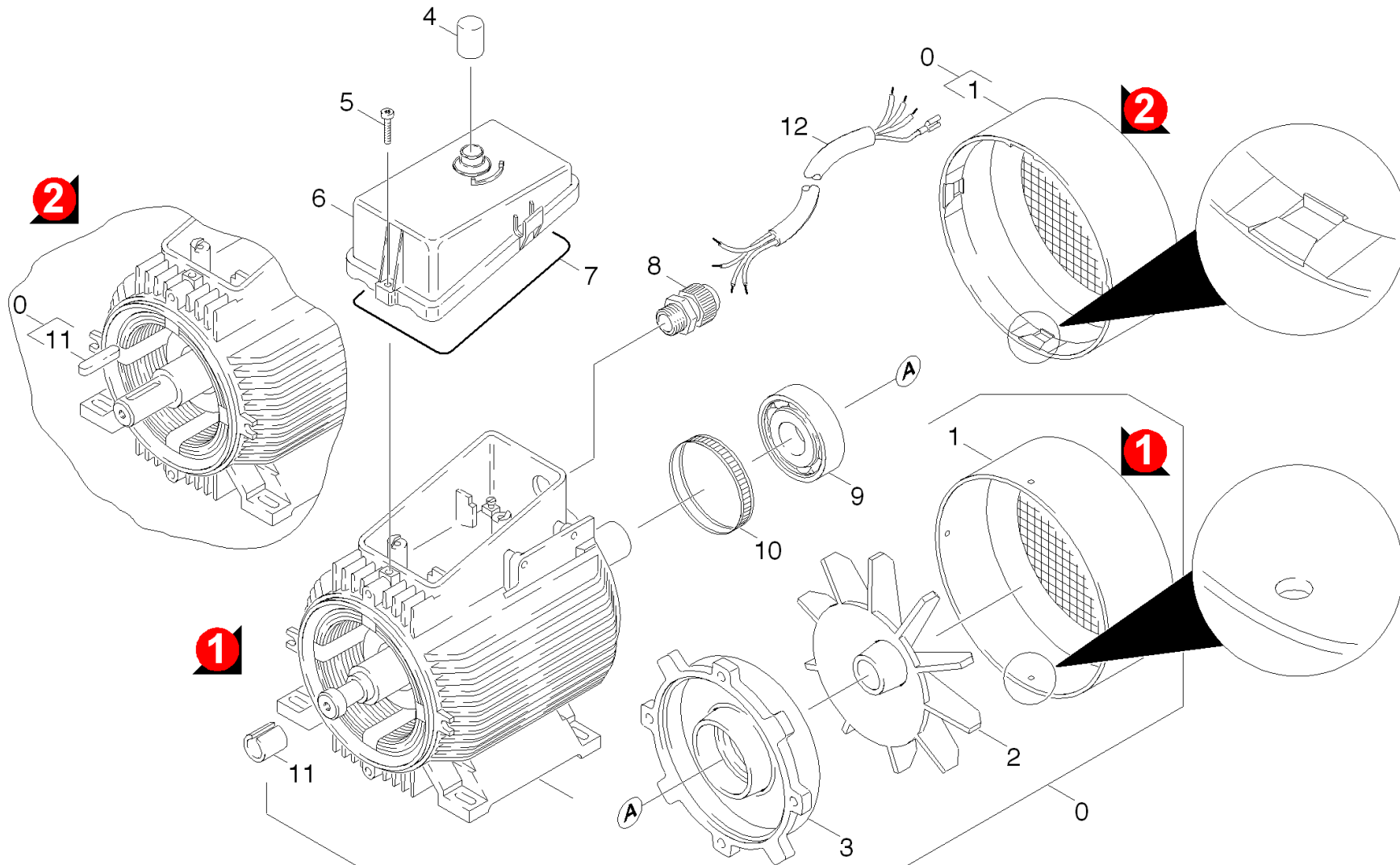


31 Transmission

POS	Article no.	Description	Quantity	Unit	Foot note text
0	6.615-020.0	Electric motor 4,5 kW	1.000	ST	VERSION 1
	Item text1: / 1.030-601.0				
0	6.615-019.0	Electric motor 4,5 kW	1.000	ST	VERSION 1
	Item text1: / 1.030-111.0 / -131.0 / -281.0				
	Item text2: / -291.0 / -461.0 / -771.0				
0	6.615-020.0	Electric motor 4,5 kW	1.000	ST	VERSION 2
	Item text1: /1.030-601.0				
0	6.615-019.0	Electric motor 4,5 kW	1.000	ST	VERSION 2
	Item text1: /1.030-111.0/-131.0/-281.0/-291.0/-461.0				
	Item text2: /-771.0				
1	5.063-416.0	Cover	1.000	ST	
2	5.070-048.0	Box	1.000	ST	
3	5.363-100.0	Joint ring	1.000	ST	
4	6.288-016.0	Gear oil 1L	1.000	ST	
5	7.777-999.0	Stockpiling discontinued	1.000	ST	
6	7.367-009.0	Radial shaft seal ring A35x52x7-NBR DIN	1.000	ST	
7	6.401-225.3	Taper roller bearing 41	1.000	ST	
8	5.120-373.0	Wobble plate	1.000	ST	VERSION 2
	Item text1: /1.030-601.0				
8	5.120-372.0	Wobble body	1.000	ST	VERSION 2
	Item text1: /1.030-111.0/-131.0/-281.0/-291.0/-461.0				
	Item text2: /-771.0				
8	5.120-179.0	Wobble plate	1.000	ST	VERSION 1
	Item text1: / 1.030-111.0 / -131.0 / -281.0				
	Item text2: / -291.0 / -461.0 / -771.0				
8	5.120-189.0	Wobble plate	1.000	ST	VERSION 1
	Item text1: / 1.030-601.0				
9	7.362-005.0	Joint ring A14x18 -Cu DIN 7603	1.000	ST	
10	7.382-233.0	Screw plug M14x1,5-A-CuZn DIN 7604	1.000	ST	
11	7.311-004.0	Hexagon nut M8 -8-A3E ISO 4032	8.000	ST	
12	7.312-166.0	Toothed lock washer A8,4-FSt-A3E DIN 67	6.000	ST	
13	5.051-042.0	Base plate	1.000	ST	
14	6.339-060.0	Rubber buffer M8	1.000	ST	

31 Transmission

POS	Article no.	Description	Quantity	Unit	Foot note text
15	5.026-805.0	Tube	1.000	ST	
16	7.312-277.0	Washer 8-200HV-A2E ISO7093-1	1.000	ST	
17	7.304-399.0	Hexagonal head screw M 8x25-8.8-A2E ISO	1.000	ST	
18	7.312-159.0	Toothed lock washer A8,4-FST-PH DIN 679	1.000	ST	
19	7.304-395.0	Hexagonal head screw M8x16-8.8-A2E ISO	1.000	ST	
20	5.030-389.0	Moulded part	1.000	ST	

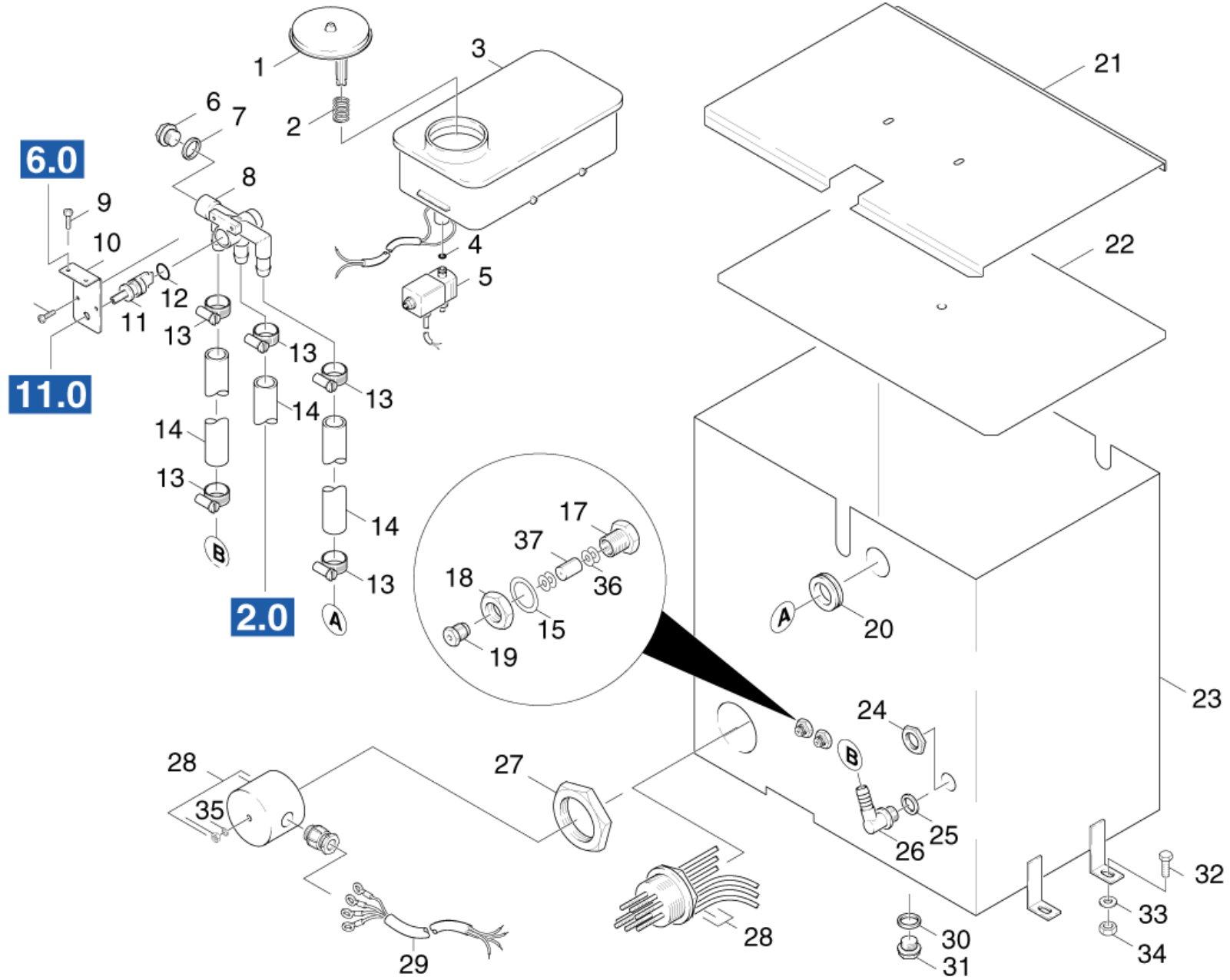


32 Ventilation

POS	Article no.	Description	Quantity	Unit	Remark	Foot note text
0	6.615-019.0	Electric motor 4,5 kW	1.000	ST		VERSION 1
		Item text1: / 1.030-111.0 / -131.0 / -281.0				
		Item text2: / -291.0 / -461.0 / -771.0				
0	6.615-020.0	Electric motor 4,5 kW	1.000	ST		VERSION 2
		Item text1: /1.030-601.0				
0	6.615-020.0	Electric motor 4,5 kW	1.000	ST		VERSION 1
		Item text1: / 1.030-601.0				
0	6.615-019.0	Electric motor 4,5 kW	1.000	ST		VERSION 2
		Item text1: /1.030-111.0/-131.0/-281.0/-291.0/-461.0				
		Item text2: /-771.0				
1	6.611-971.0	Cover blower only for replacement	1.000	ST	VERSION 2	
1	6.611-352.0	Cover blower	1.000	ST	VERSION 1	
2	6.611-247.0	Blower wheel	1.000	ST		
3	6.611-377.0	Bearing plate	1.000	ST		
4	6.368-097.0	Protecting cap	1.000	ST		
5	7.309-016.0	Screw M4x22-Z7-1 -4.8-A2E DIN6900	2.000	ST		
6	5.066-210.0	Cover	1.000	ST		
7	6.273-070.0	Seal string cellular rubber 4	1.000	M		TO ORDER AS CUT GOODS
8	6.641-613.0	Cable gland PG13,5	1.000	ST		
9	7.401-132.0	Ball bearing 6206-2Z-WAELZLAGST DIN 625	1.000	ST		
10	6.343-010.0	Tolerance ring 62x10	1.000	ST		
11	7.318-035.0	Parallel key 8x7x25 -C45K DIN 6885-1	1.000	ST		VERSION 2
11	6.343-019.0	Tolerance ring	1.000	ST		VERSION 1
12	4.820-801.0	Cable	1.000	ST		

40 Tank

POS	Description	Quantity	Unit	Remark
41	Tank	1.000	ST	VERSION 1
42	Tank	1.000	ST	VERSION 2

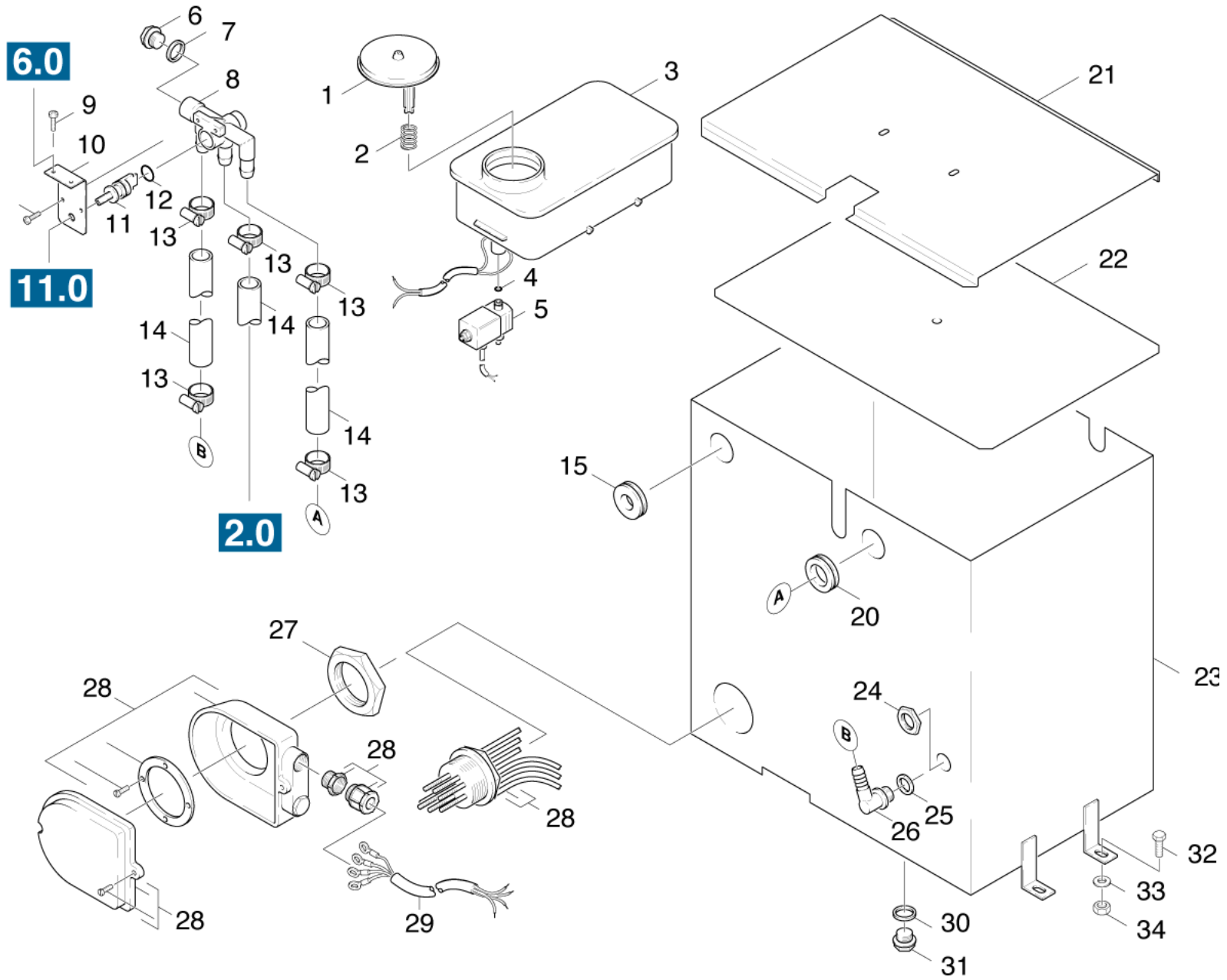


41 Tank

POS	Article no.	Description	Quantity	Unit	Foot note text
1	5.063-226.0	Cover	1.000	ST	
2	5.332-001.0	Helical spring	1.000	ST	
3	4.070-196.0	Tank	1.000	ST	
4	6.362-113.0	O-Ring seal 6,0 x 2,0 NBR 70	1.000	ST	
5	6.685-210.0	Solenoid valve	1.000	ST	
6	7.362-009.0	Joint ring A18x22 -Cu DIN 7603	1.000	ST	
7	7.382-235.0	Screw plug M18x1,5-A-CuZn DIN 7604	1.000	ST	
8	5.427-050.0	Manifold	1.000	ST	
9	7.306-207.0	Screw M4x12 -A2-70 (In6Rd)	2.000	ST	
10	5.019-207.0	Angle	1.000	ST	
11	5.100-056.0	Shaft	1.000	ST	
12	6.362-174.0	O-Ring seal 16,0 X 2,0-NBR 70	1.000	ST	
13	6.388-547.0	Hose clip	6.000	ST	
14	6.388-719.0	Hose DN17	1.000	M	TO ORDER AS CUT GOODS
15	6.362-678.0	Seal	2.000	ST	
17	6.386-268.0	Screw connector	2.000	ST	
18	6.386-268.0	Screw connector	2.000	ST	
19	6.347-029.0	Nipple	2.000	ST	
20	6.641-431.0	Wire protecting sleeve	1.000	ST	
21	5.046-581.0	Sheet metal component	1.000	ST	
22	5.003-041.0	Plate	1.000	ST	
23	4.070-195.0	Tank	1.000	ST	
24	6.310-004.0	Hexagon nut G 1/2"	1.000	ST	
25	6.362-358.0	Seal	1.000	ST	
26	6.388-405.0	Angle bushing 1/2"	1.000	ST	
27	6.386-212.0	Hexagon nut stainless steel	1.000	ST	
28	6.690-072.0	Heating element	1.000	ST	
	Item text1: / 1.030-601.0				
28	6.690-067.0	Heating element	1.000	ST	
	Item text1: / 1.030-111.0 / -461.0 / -771.0				
28	6.690-066.0	Heating element	1.000	ST	
	Item text1: / 1.030-131.0 / -281.0 / -291.0				
29	4.820-856.0	Cable	1.000	ST	

41 Tank

POS	Article no.	Description	Quantity	Unit	Foot note text
	Item text1: / 1.030-111.0 / -461.0 / -601.0				
	Item text2: / -771.0				
29	4.820-855.0	Cable	1.000	ST	
	Item text1: / 1.030-131.0 / -281.0 / -291.0				
30	7.362-023.0	Joint ring A21x26 -Cu DIN 7603	1.000	ST	
31	7.382-141.0	Screw plug G 1/2Ax14-CuZn DIN 910	1.000	ST	
32	7.304-395.0	Hexagonal head screw M8x16-8.8-A2E ISO	4.000	ST	
33	7.312-277.0	Washer 8-200HV-A2E ISO7093-1	4.000	ST	
34	7.311-004.0	Hexagon nut M8 -8-A3E ISO 4032	4.000	ST	
35	7.362-721.0	Joint ring 6,5X11-CU DIN 7603	1.000	ST	
36	6.386-268.0	Screw connector	8.000	ST	
37	6.362-679.0	Seal	2.000	ST	



42 Tank

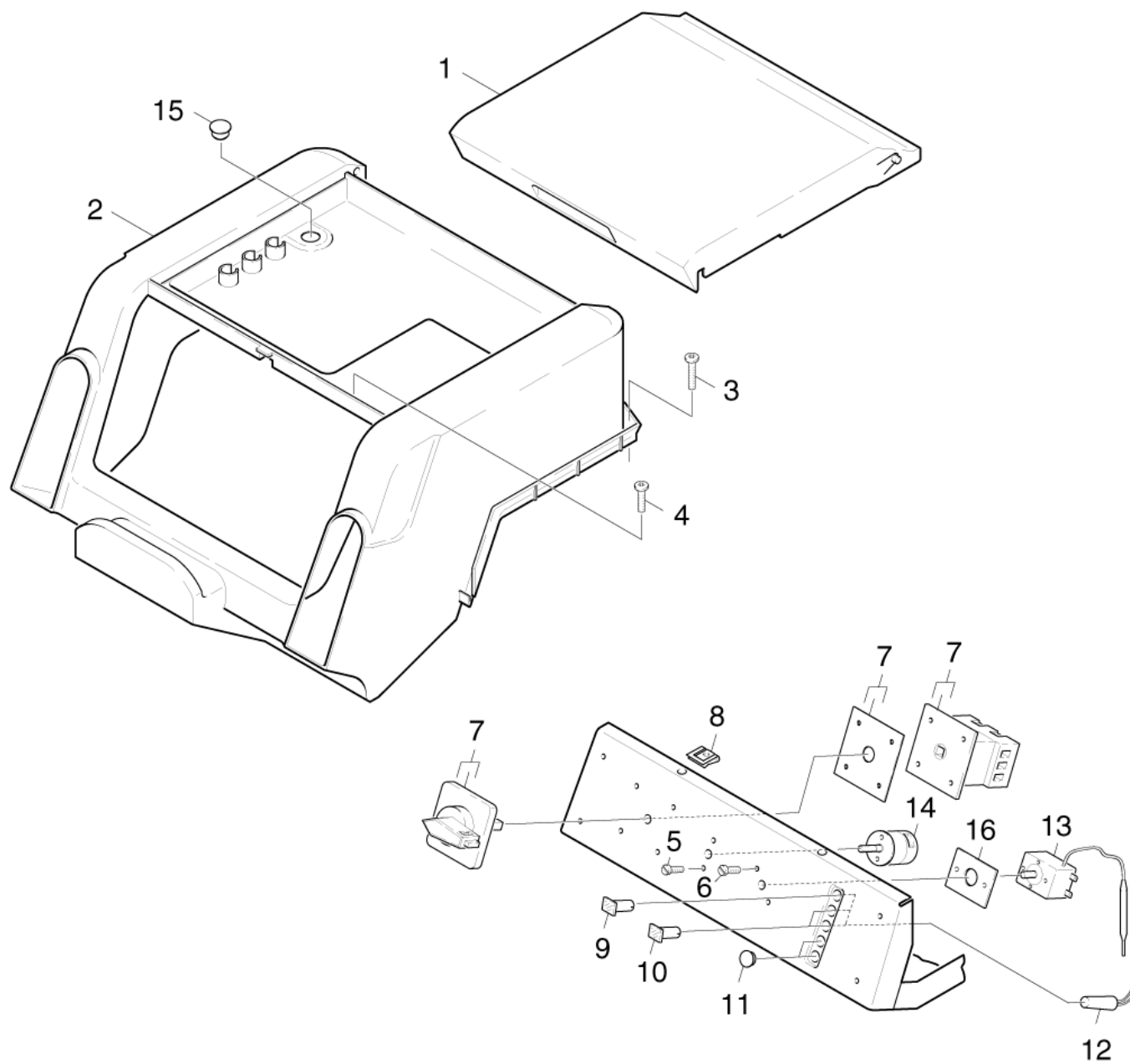
POS	Article no.	Description	Quantity	Unit	Foot note text
1	5.063-226.0	Cover	1.000	ST	
2	5.332-028.0	Helical spring	1.000	ST	
3	4.070-196.0	Tank	1.000	ST	
4	6.362-113.0	O-Ring seal 6,0 x 2,0 NBR 70	1.000	ST	
5	6.685-210.0	Solenoid valve	1.000	ST	
6	7.362-009.0	Joint ring A18x22 -Cu DIN 7603	1.000	ST	
7	7.382-235.0	Screw plug M18x1,5-A-CuZn DIN 7604	1.000	ST	
8	5.427-050.0	Manifold	1.000	ST	
9	7.306-207.0	Screw M4x12 -A2-70 (In6Rd)	2.000	ST	
10	5.019-207.0	Angle	1.000	ST	
11	5.100-056.0	Shaft	1.000	ST	
12	6.362-174.0	O-Ring seal 16,0 X 2,0-NBR 70	1.000	ST	
13	6.388-547.0	Hose clip	6.000	ST	
14	6.388-719.0	Hose DN17	1.000	M	TO ORDER AS CUT GOODS
15	5.365-109.0	Profile gasket	1.000	ST	
20	6.641-431.0	Wire protecting sleeve	1.000	ST	
21	5.046-581.0	Sheet metal component	1.000	ST	
22	5.003-041.0	Plate	1.000	ST	
23	4.070-195.0	Tank	1.000	ST	
24	6.310-004.0	Hexagon nut G 1/2"	1.000	ST	
25	6.362-358.0	Seal	1.000	ST	
26	6.388-405.0	Angle bushing 1/2"	1.000	ST	
27	6.386-212.0	Hexagon nut stainless steel	1.000	ST	
28	6.690-072.0	Heating element	1.000	ST	
	Item text1: / 1.030-601.0				
28	6.690-067.0	Heating element	1.000	ST	
	Item text1: / 1.030-111.0 / -461.0 / -771.0				
28	6.690-066.0	Heating element	1.000	ST	
	Item text1: / 1.030-131.0 / -281.0 / -291.0				
29	4.820-856.0	Cable	1.000	ST	
	Item text1: / 1.030-111.0 / -461.0 / -601.0				
	Item text2: / -771.0				
29	4.820-855.0	Cable	1.000	ST	

42 Tank

POS	Article no.	Description	Quantity	Unit	Foot note text
	Item text1: / 1.030-131.0 / -281.0 / -291.0				
30	7.362-023.0	Joint ring A21x26 -Cu DIN 7603	1.000	ST	
31	7.382-141.0	Screw plug G 1/2Ax14-CuZn DIN 910	1.000	ST	
32	7.304-395.0	Hexagonal head screw M8x16-8.8-A2E ISO	4.000	ST	
33	7.312-277.0	Washer 8-200HV-A2E ISO7093-1	4.000	ST	
34	7.311-004.0	Hexagon nut M8 -8-A3E ISO 4032	4.000	ST	

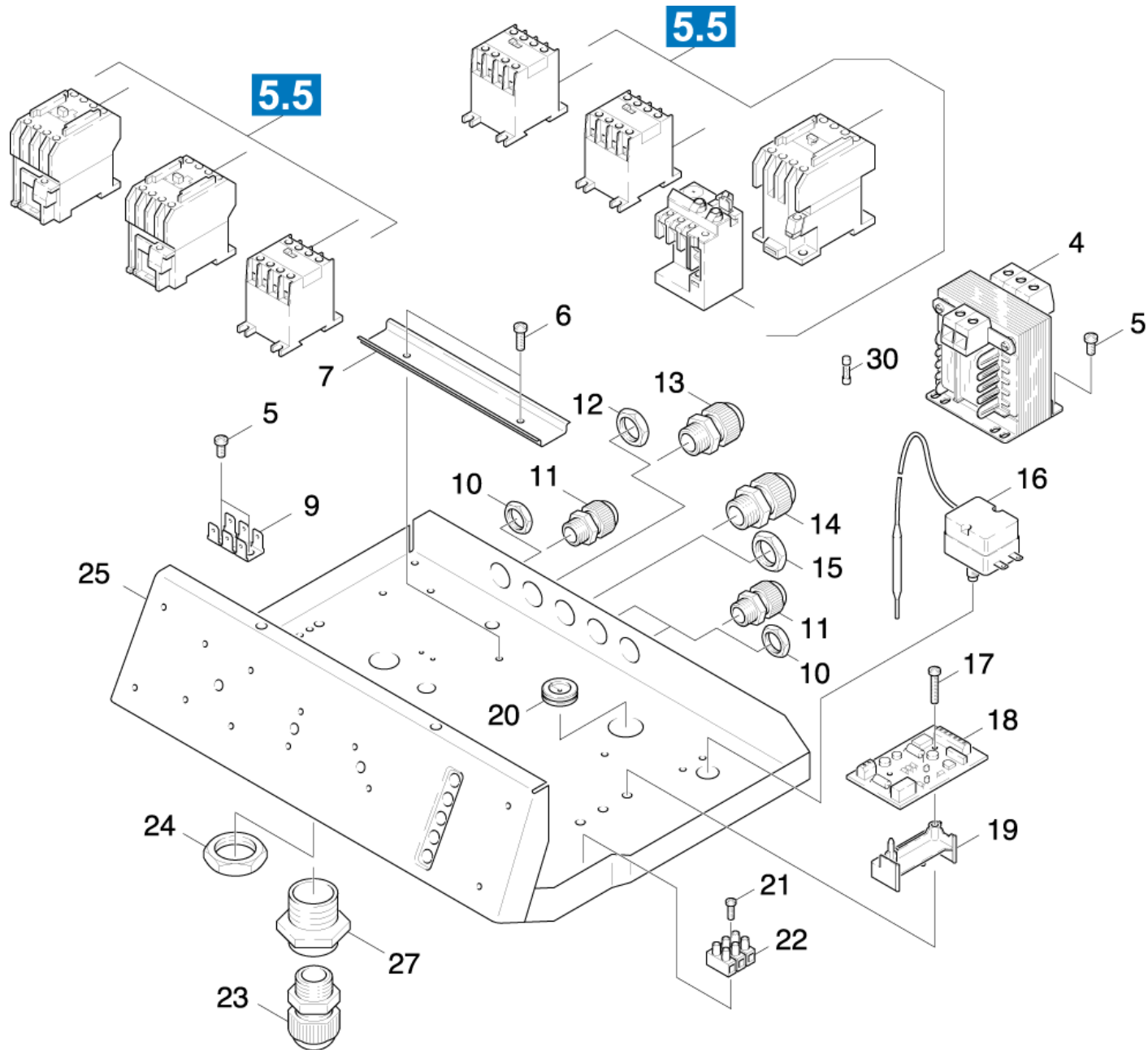
50 Electric control box

POS	Description	Quantity	Unit	Remark
51	Top part	1.000	ST	VERSION 1
52	Bottom part	1.000	ST	VERSION 1
53	Top part	1.000	ST	VERSION 2
54	Bottom part	1.000	ST	VERSION 2
55	Contacteur	1.000	ST	



51 Top part

POS	Article no.	Description	Quantity	Unit
1	5.030-988.0	Flap	1.000	ST
2	5.066-704.0	Cover	1.000	ST
3	7.303-045.0	Screw M5x55 -St-ZNBHL (In6Rd)	2.000	ST
4	7.303-078.0	Sheet metal screw ST4,8X19-ST-P2R (KOMBI-IN6RD)	2.000	ST
5	7.306-203.0	Screw M 3X 8-A2-70 (IN6RD)	2.000	ST
6	7.306-205.0	Screw M4x8 -A2-70 (In6Rd)	2.000	ST
7	6.631-774.0	Switch	1.000	ST
	Item text1: / 1.030-131.0 / -281.0 / -291.0			
7	6.631-770.0	Switch	1.000	ST
	Item text1: / 1.030-111.0 / -461.0 / -771.0			
8	6.310-034.0	Speed nut	2.000	ST
9	6.651-316.0	Lens housing red	1.000	ST
10	6.651-320.0	Lens housing green	2.000	ST
11	6.368-076.0	Ornamental hub cap D10/D12	2.000	ST
12	4.651-026.0	Pilot lamp only for replacement	3.000	ST
13	6.685-381.0	Thermostat	1.000	ST
14	6.631-771.0	Switch	1.000	ST
15	6.368-099.0	Cap	1.000	ST
16	7.777-999.0	Stockpiling discontinued	1.000	ST

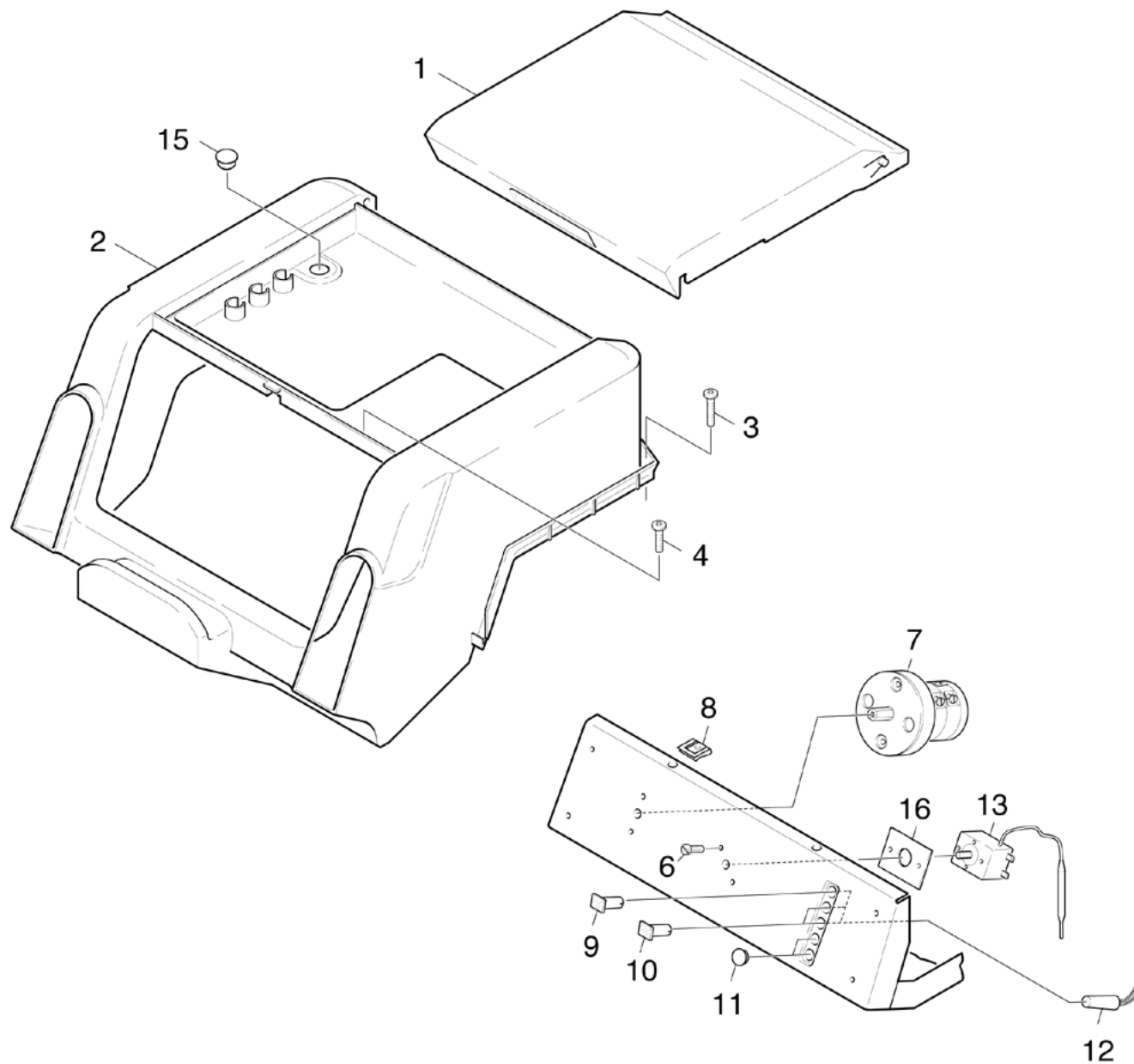


52 Bottom part

POS	Article no.	Description	Quantity	Unit
3	6.631-830.0	Motor protecting switch 9,0-14,0A	1.000	ST
4	6.622-050.0	Control transformer -420V	1.000	ST
	Item text1: / 1.030-281.0 / -461.0			
4	6.622-021.0	Control transformer 40VA	1.000	ST
	Item text1: / 1.030-111.0 / -131.0 / -291.0			
	Item text2: / -601.0 / -771.0			
5	7.303-030.0	Screw M4x8 -St-P2R (In6Rd)	4.000	ST
6	7.303-328.0	Screw M5x8 -St-flZn/nc480h/C (In6Rd)	2.000	ST
7	5.802-227.0	Mounting part 210mm	1.000	ST
9	6.641-270.0	Plug	1.000	ST
10	6.641-366.0	Locknut PG 9	3.000	ST
11	6.641-355.0	Cable gland PG9	3.000	ST
12	6.641-370.0	Locknut PG16-PA DIN 46320	1.000	ST
13	6.641-356.0	Cable gland PG16	1.000	ST
14	6.641-357.0	Cable gland PG11	1.000	ST
15	6.641-367.0	Locknut PG11	1.000	ST
16	6.685-382.0	Temperature limiter	1.000	ST
17	7.303-035.0	Screw M4x30 -St-R2R (In6Rd)	1.000	ST
18	4.633-058.0	Pulse generator only for replacement	1.000	ST
19	5.057-043.0	Support	1.000	ST
20	5.365-109.0	Profile gasket	1.000	ST
21	6.303-014.0	Self-tapping screw M3X 16-ST-A2E	1.000	ST
22	6.643-249.0	Strip terminal	1.000	ZST
23	6.641-601.0	Cable gland PG21	1.000	ST
	Item text1: / 1.030-131.0 / -281.0 / -291.0			
23	6.641-400.0	Cable gland PG29	1.000	ST
	Item text1: / 1.030-111.0 / -461.0 / -601.0			
	Item text2: / -771.0			
24	6.641-380.0	Locknut PG29	1.000	ST
25	5.046-919.0	Sheet metal component	1.000	ST
26	6.641-433.0	Wire protecting sleeve	1.000	ST
27	7.641-030.0	Reduction H PG29/21-CuZn-vn DIN 46320	1.000	ST
	Item text1: / 1.030-131.0 / -281.0 / -291.0			

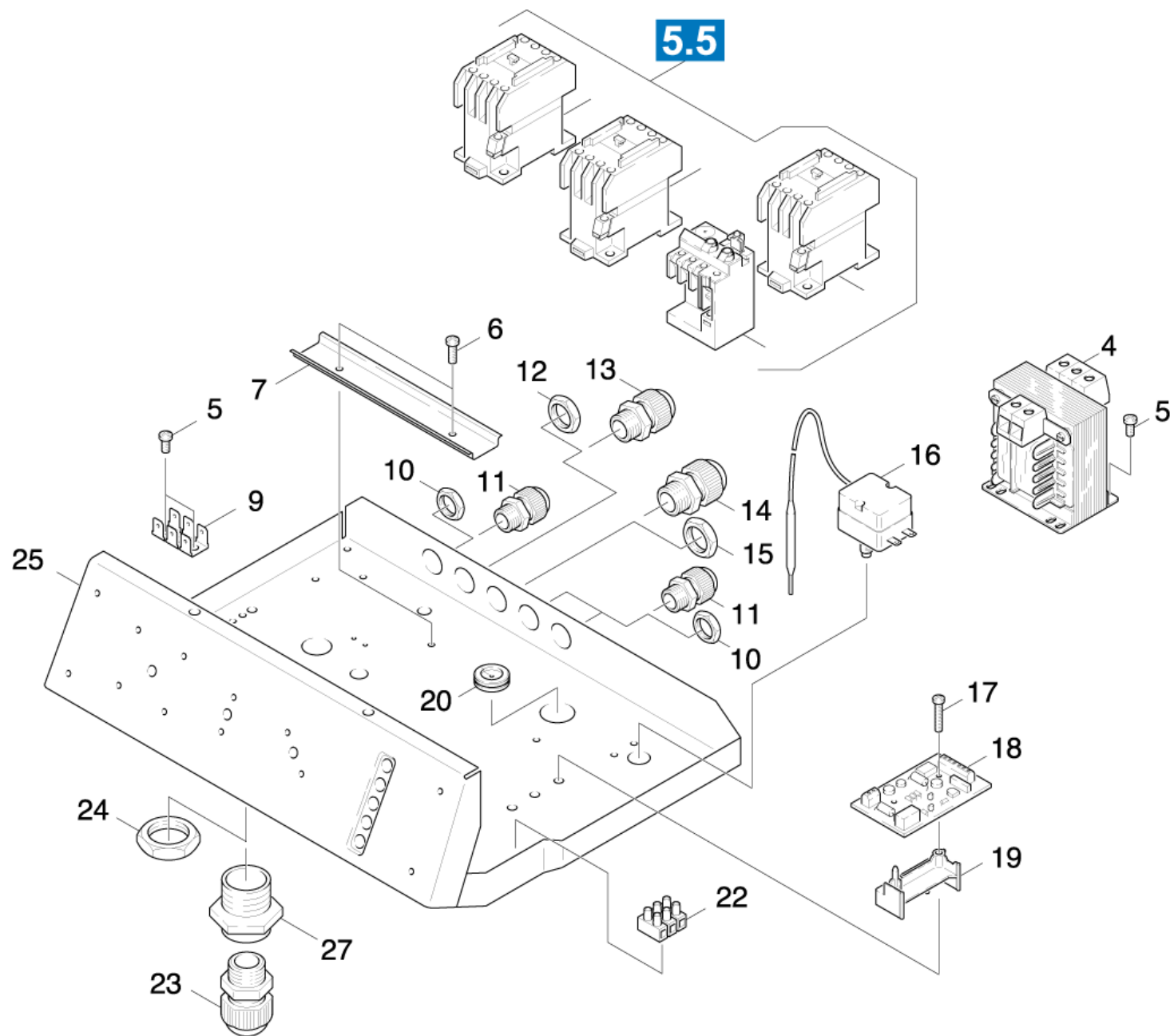
52 Bottom part

POS	Article no.	Description	Quantity	Unit
30	6.644-052.0	Fuse insert slow G-2,0A	1.000	ST



53 Top part

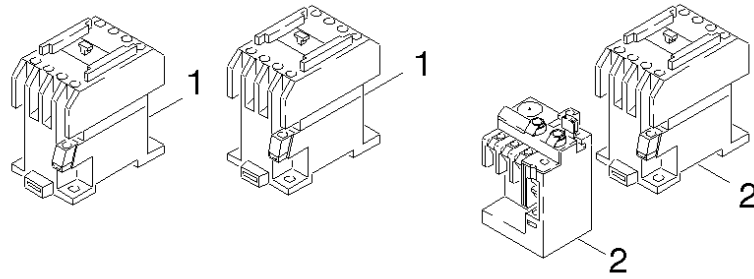
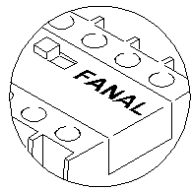
POS	Article no.	Description	Quantity	Unit
1	5.030-988.0	Flap	1.000	ST
2	5.066-704.0	Cover	1.000	ST
3	7.303-045.0	Screw M5x55 -St-ZNBHL (In6Rd)	2.000	ST
4	7.303-078.0	Sheet metal screw ST4,8X19-ST-P2R (KOMBI-IN6RD)	2.000	ST
6	7.306-205.0	Screw M4x8 -A2-70 (In6Rd)	2.000	ST
7	6.631-853.0	Switch	1.000	ST
	Item text1: / 1.030-111.0 / -461.0 / -771.0			
	Item text2: / -771.0			
7	6.631-197.0	Switch	1.000	ST
	Item text1: / 1.030-131.0 / -281.0 / -291.0			
8	6.310-034.0	Speed nut	2.000	ST
9	6.651-316.0	Lens housing red	2.000	ST
10	6.651-320.0	Lens housing green	1.000	ST
11	6.368-076.0	Ornamental hub cap D10/D12	2.000	ST
12	4.651-026.0	Pilot lamp only for replacement	3.000	ST
13	6.685-381.0	Thermostat	1.000	ST
15	6.368-099.0	Cap	1.000	ST
16	7.777-999.0	Stockpiling discontinued	1.000	ST



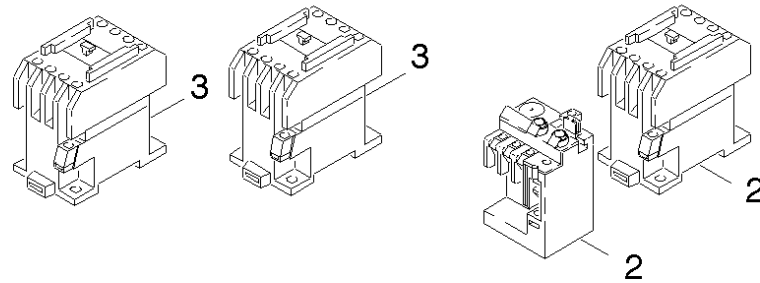
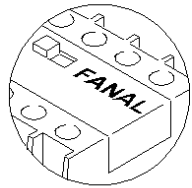
54 Bottom part

POS	Article no.	Description	Quantity	Unit
4	6.622-050.0	Control transformer -420V	1.000	ST
	Item text1: / 1.030-281.0 / -461.0			
4	6.622-021.0	Control transformer 40VA	1.000	ST
	Item text1: / 1.030-111.0 / -131.0 / -291.0			
	Item text2: / -601.0 / -771.0			
5	7.303-030.0	Screw M4x8 -St-P2R (In6Rd)	4.000	ST
6	7.303-328.0	Screw M5x8 -St-flZn/nc480h/C (In6Rd)	2.000	ST
7	5.802-227.0	Mounting part 210mm	1.000	ST
9	6.641-270.0	Plug	1.000	ST
10	6.641-366.0	Locknut PG 9	3.000	ST
11	6.641-355.0	Cable gland PG9	3.000	ST
12	6.641-370.0	Locknut PG16-PA DIN 46320	1.000	ST
13	6.641-356.0	Cable gland PG16	1.000	ST
14	6.641-357.0	Cable gland PG11	1.000	ST
15	6.641-367.0	Locknut PG11	1.000	ST
16	6.685-382.0	Temperature limiter	1.000	ST
17	7.303-035.0	Screw M4x30 -St-R2R (In6Rd)	1.000	ST
18	4.633-058.0	Pulse generator only for replacement	1.000	ST
19	5.057-043.0	Support	1.000	ST
20	5.365-109.0	Profile gasket	1.000	ST
22	6.643-249.0	Strip terminal	1.000	ZST
23	6.641-601.0	Cable gland PG21	1.000	ST
	Item text1: / 1.030-131.0 / -281.0 / -291.0			
23	6.641-400.0	Cable gland PG29	1.000	ST
	Item text1: / 1.030-111.0 / -461.0 / -601.0			
	Item text2: / -771.0			
24	6.641-380.0	Locknut PG29	1.000	ST
25	5.046-919.0	Sheet metal component	1.000	ST
26	6.641-433.0	Wire protecting sleeve	1.000	ST
27	7.641-030.0	Reduction H PG29/21-CuZn-vn DIN 46320	1.000	ST
	Item text1: / 1.030-131.0 / -281.0 / -291.0			

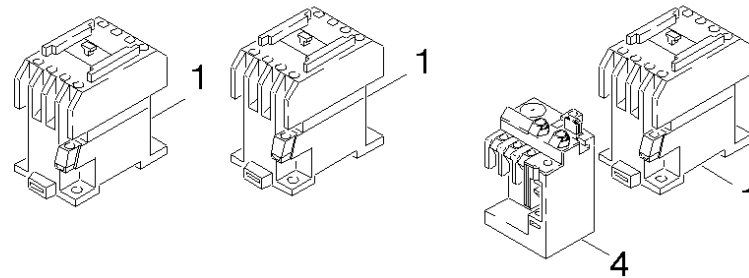
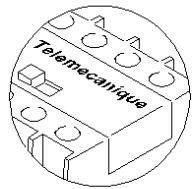
24 KW



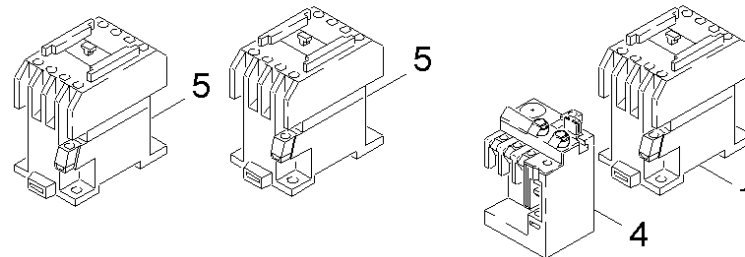
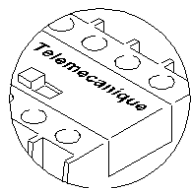
12 KW



24 KW

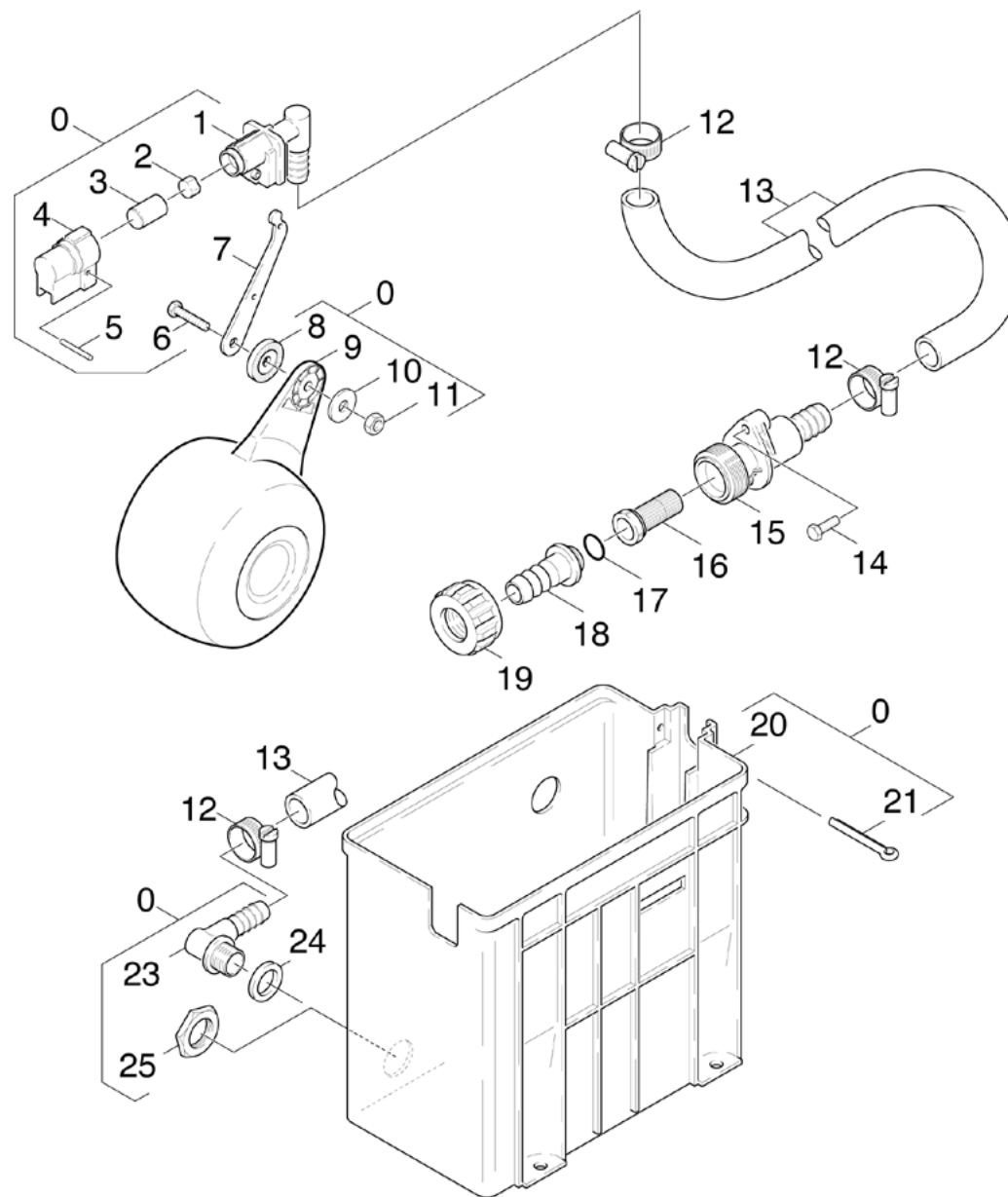


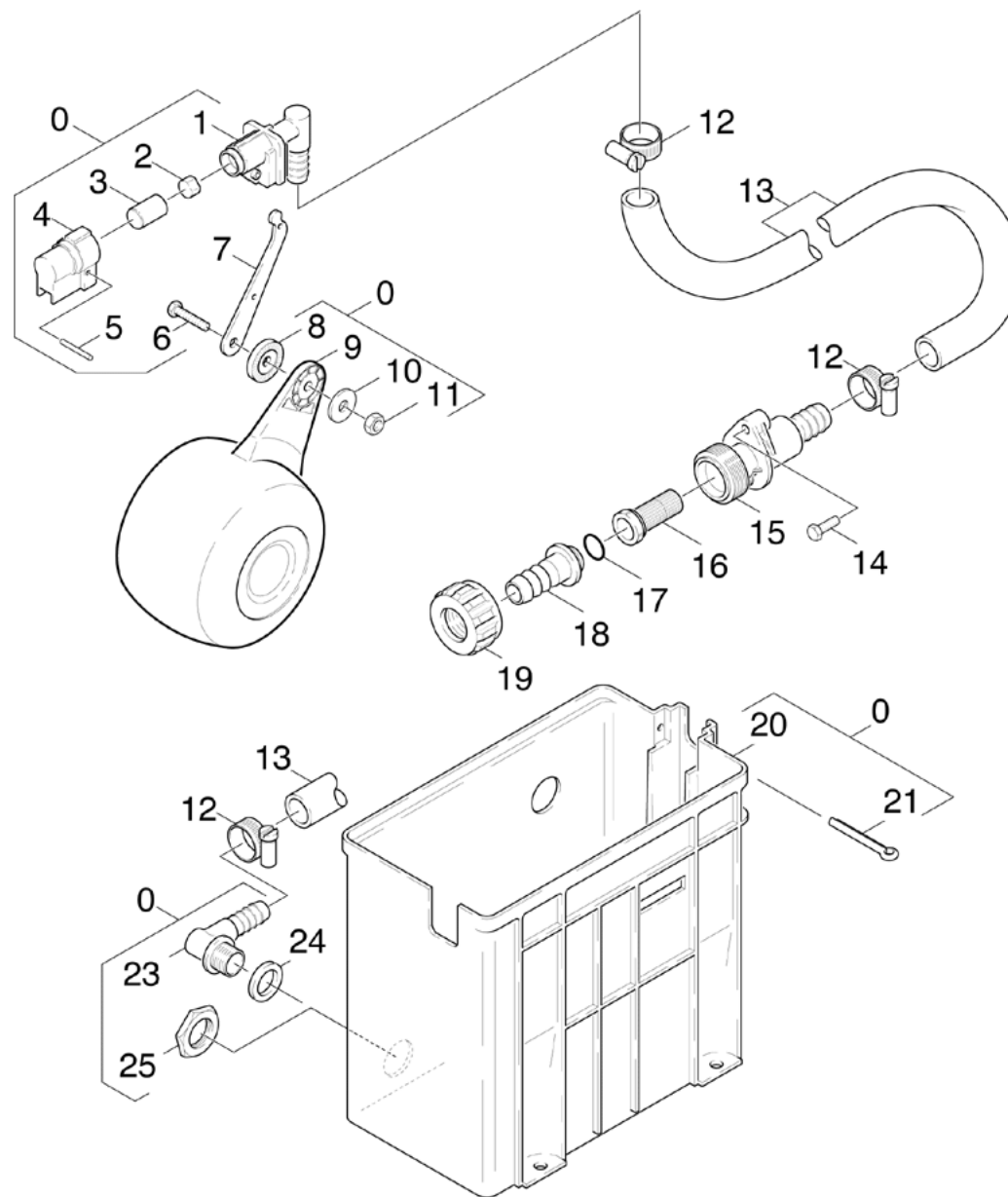
12 KW



55 Contactor

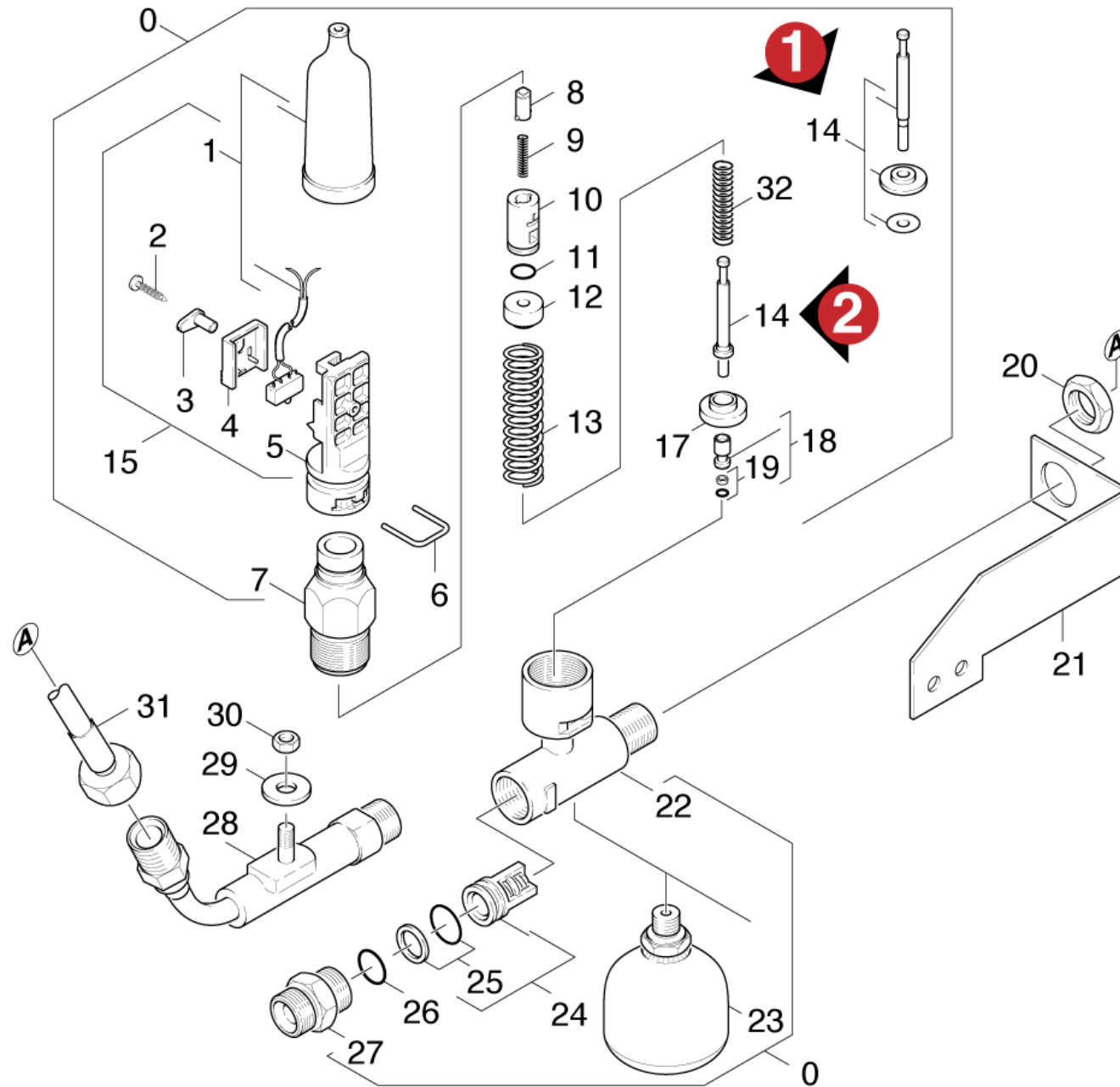
POS	Article no.	Description	Quantity	Unit	Foot note text
1	6.632-356.0	Contacteur LC1-D18 B7	1.000	ST	QUANTITY ACCORDING TO DEMAND
2	2.884-303.0	Conversion kit contacteur	1.000	ST	
3	4.632-002.0	Contacteur -nur fuer Ersatz-	1.000	ST	
4	6.633-476.0	Overload relay 7-10 A	1.000	ST	
5	6.632-310.0	Contacteur LC1-K0910 B7SV84	1.000	ST	





60 Float chest

POS	Article no.	Description	Quantity	Unit	Foot note text
0	3.593-064.0	Float valve	1.000	ST	
1	5.587-093.0	Valve housing	1.000	ST	
2	5.364-095.0	Flat gasket	1.000	ST	
3	5.584-026.0	Valve pin	1.000	ST	
4	5.394-066.0	Protection part	1.000	ST	
5	7.316-004.0	Bolt A 3x25 -CuZn ISO 2340	1.000	ST	
6	7.306-194.0	Screw M6x20 -A2-70 (In6Rd)	1.000	ST	
7	5.481-029.0	Lever	1.000	ST	
8	5.115-158.0	Washer	1.000	ST	
9	5.585-024.0	Float	1.000	ST	
10	7.312-279.0	Washer 6-CuZn ISO 7093-1	1.000	ST	
11	7.311-422.0	Hexagon nut M 6-1.4305 ISO 10511	1.000	ST	
12	6.388-547.0	Hose clip	3.000	ST	
13	6.388-719.0	Hose DN17	1.000	M	TO ORDER AS CUT GOODS
14	6.303-174.0	Screw 6,0X20-ST-A2R	1.000	ST	
15	5.427-154.0	Manifold	1.000	ST	
16	6.414-141.0	Strainer	1.000	ST	
17	6.362-078.0	O-Ring seal 13,3x2,4	1.000	ST	
18	5.443-291.0	Hose stem	1.000	ST	
19	5.310-076.0	Nut	1.000	ST	
20	5.070-036.0	Tank	1.000	ST	
21	7.316-432.0	Cotter 4x50 -St-A2E ISO 1234	1.000	ST	
23	6.388-405.0	Angle bushing 1/2"	1.000	ST	
24	6.362-015.0	Joint ring 21X30X2	1.000	ST	
25	6.310-004.0	Hexagon nut G 1/2"	1.000	ST	

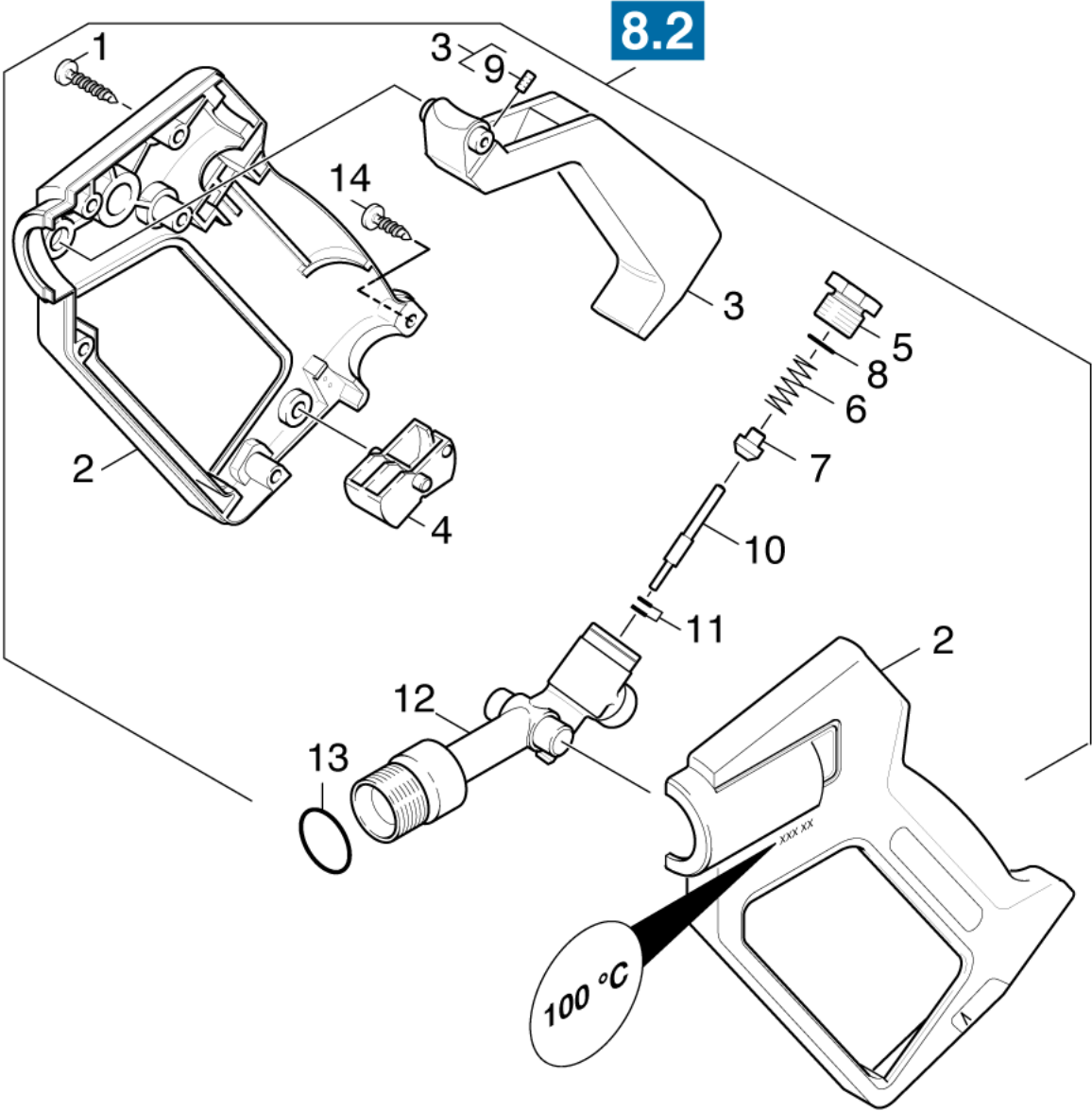


70 Safety system

POS	Article no.	Description	Quantity	Unit
0	4.749-127.3	Safety system	1.000	ST
1	6.631-667.0	Micro switch	1.000	ST
2	7.303-117.0	Screw 4x20 -A2-70 (In6Rd)	1.000	ST
3	5.316-284.0	Bolt	1.000	ST
4	5.042-728.0	Holder	1.000	ST
5	5.042-618.0	Holder	1.000	ST
6	5.037-080.0	Hook	1.000	ST
7	5.060-414.0	Housing	1.000	ST
8	5.316-278.0	Bolt spring	1.000	ST
9	5.332-293.0	Helical spring	1.000	ST
10	5.553-265.0	Piston	1.000	ST
11	6.362-169.0	O-Ring seal 12,0 X 2,0	1.000	ST
12	5.112-424.0	Bush	1.000	ST
13	5.332-069.0	Helical spring	1.000	ST
14	5.107-192.0	Bar	1.000	ST
15	4.744-079.3	Switch safety system	1.000	ST
17	5.115-147.0	Washer	1.000	ST
18	4.553-025.0	Piston	1.000	ST
19	6.363-037.0	O-Ring seal complete 1ST.-R.	1.000	ST
20	7.311-155.0	Hexagon nut M22x1,5 -Cu2 DIN 936	1.000	ST
21	5.019-818.0	Angle	1.000	ST
22	5.060-487.0	Housing	1.000	ST
23	6.505-025.0	Pressure accumulator	1.000	ST
24	2.884-912.0	Valve (3 Stück)	1.000	ST
25	6.362-517.0	O-Ring seal complete 1ST.-R.	1.000	ST
26	6.362-524.0	O-Ring seal 17,0 X 1,5	1.000	ST
27	5.409-111.0	Double nipple	1.000	ST
28	4.421-245.0	Pipelines	1.000	ST
29	7.312-262.0	Washer 10 -100HV-A3E ISO 7094	1.000	ST
30	7.311-511.0	Hexagon nut M10-8-A2E ISO 7040	1.000	ST
31	6.389-424.0	High pressure hose DN 8	1.000	ST
32	5.332-070.0	Helical spring	1.000	ST

80 Accessories

POS	Description	Quantity	Unit	Remark
81	Hand trigger gun	1.000	ST	VERSION 1
82	Hand trigger gun	1.000	ST	VERSION 2
83	Hand trigger gun	1.000	ST	VERSION 3
84	Hand trigger gun	1.000	ST	
85	Hand trigger gun	1.000	ST	VERSION 4
86	Hand trigger gun	1.000	ST	Version 5
87	Jet pipe	1.000	ST	VERSION 1
88	Jet pipe	1.000	ST	VERSION 2
89	Jet pipe	1.000	ST	VERSION 3

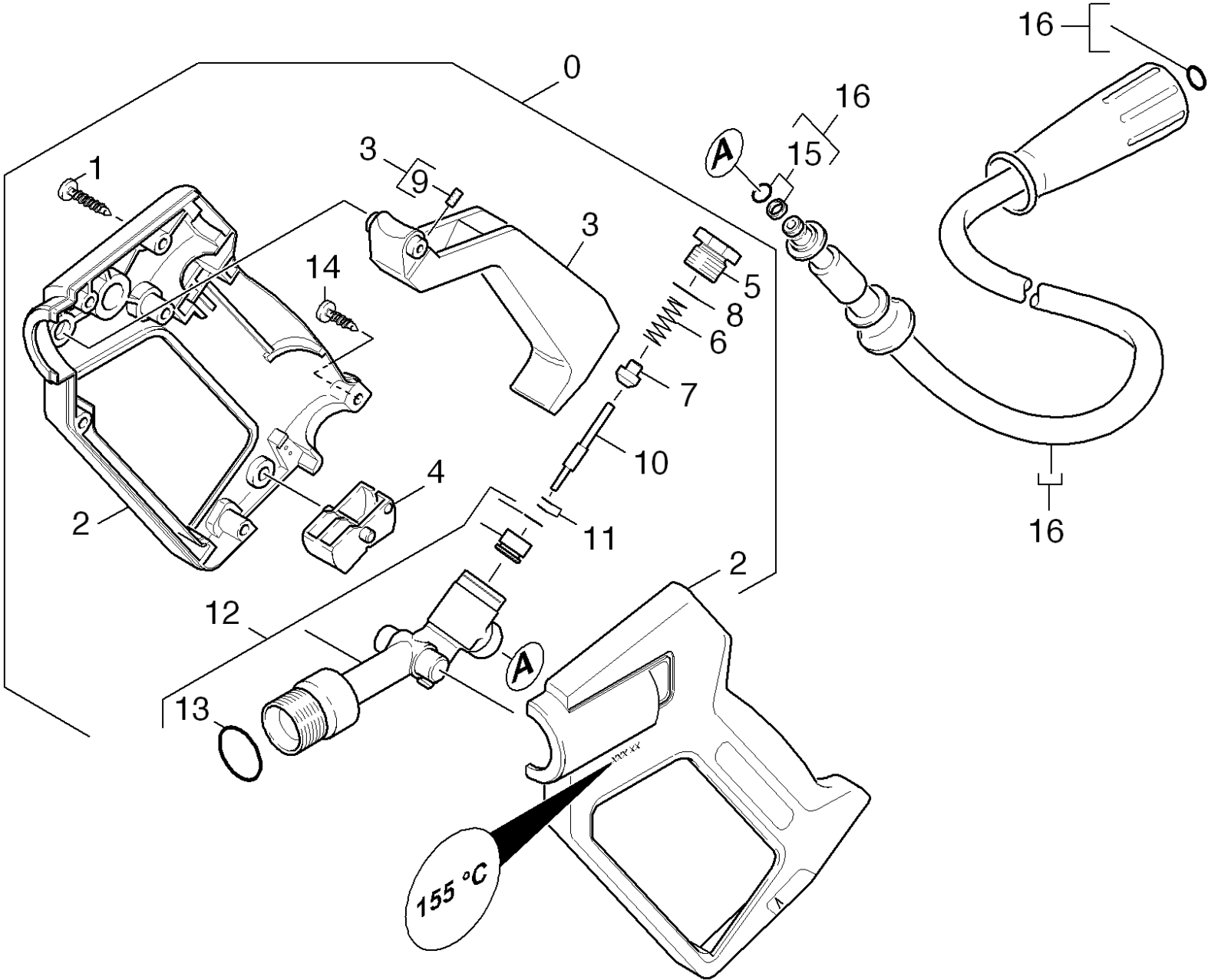


81 Hand trigger gun

POS	Article no.	Description	Quantity	Unit
1	7.303-096.0	Screw 4x22 -ST-10.9-R2R (IN6RD)	6.000	ST
2	5.321-206.0	Handhold few	1.000	ST
3	4.481-050.0	Lever	1.000	ST
4	5.481-052.0	Lever	1.000	ST
5	5.411-067.0	Screw plug	1.000	ST
6	5.332-157.0	Helical spring	1.000	ST
7	5.582-058.0	Valve disc	1.000	ST
8	6.362-480.0	O-Ring seal 12,42x 1,78	1.000	ST
9	7.307-417.0	Threaded pin M8x16 -45H-A2E ISO 4026	1.000	ST
10	5.107-259.0	Bar	1.000	ST
11	6.362-571.0	O-Ring seal complete /1ST.-R	1.000	ST
12	5.427-115.0	Manifold	1.000	ST
13	6.362-496.0	O-Ring seal 17,12X 2,62-NBR 70	1.000	ST
14	6.303-025.0	Oval head screw 4,2x16-St-vz	1.000	ST
100	2.883-191.0	Spare part set	1.000	ST

100 Spare part set (2.883-191.0)

POS	Article no.	Description	Quantity	Unit
10	5.332-157.0	Helical spring	1.000	ST
20	5.582-058.0	Valve disc	1.000	ST
30	6.288-072.0	Silicon grease	1.000	ST
40	6.362-422.0	O-Ring seal complete 1ST.-R.	1.000	ST
50	6.362-480.0	O-Ring seal 12,42x 1,78	1.000	ST
60	6.362-496.0	O-Ring seal 17,12X 2,62-NBR 70	1.000	ST
70	6.362-571.0	O-Ring seal complete /1ST.-R	1.000	ST

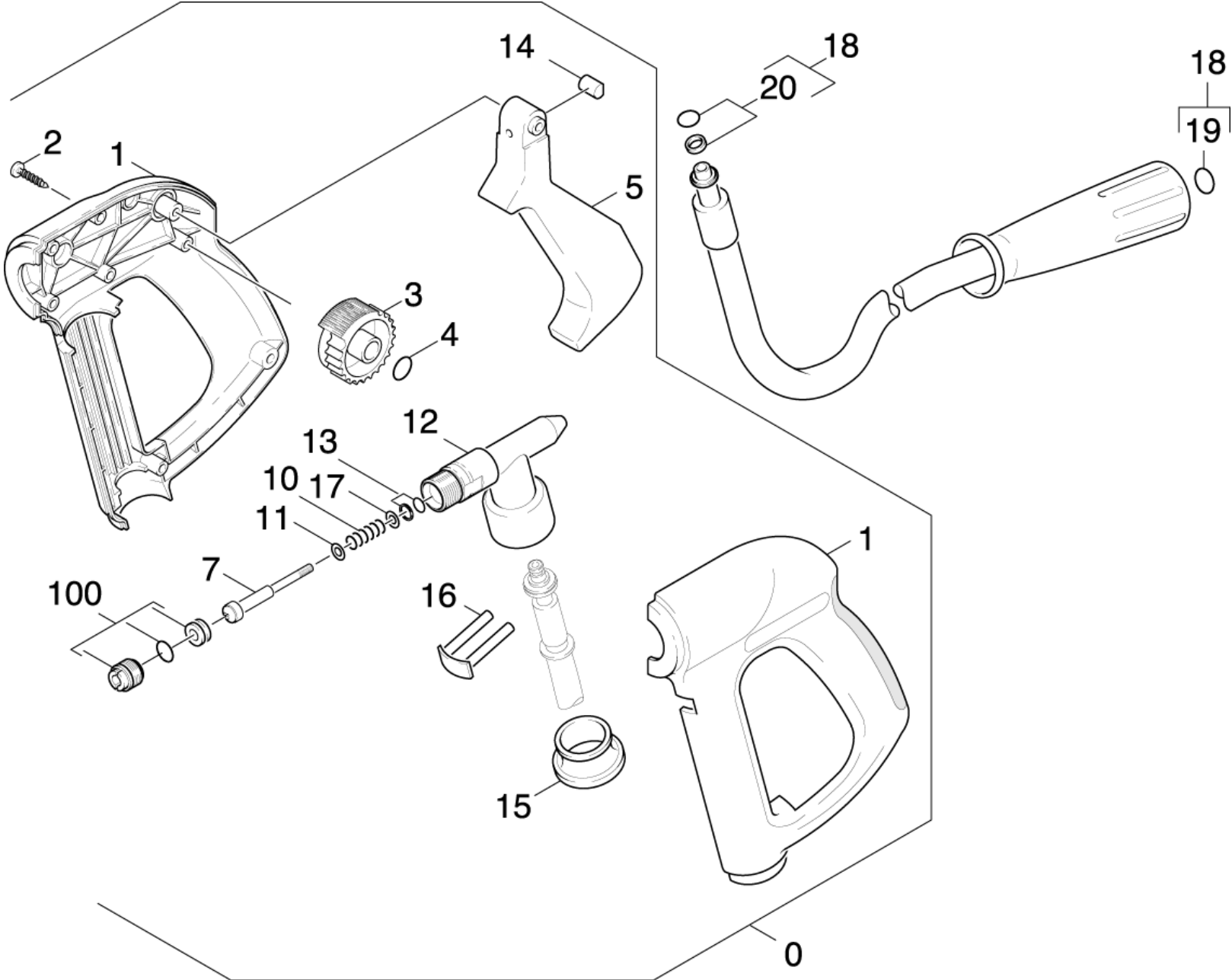


82 Hand trigger gun

POS	Article no.	Description	Quantity	Unit
0	4.775-080.0	Hand trigger gun replacement	1.000	ST
	Item text1: / 1.979-701.0			
1	7.303-096.0	Screw 4x22 -ST-10.9-R2R (IN6RD)	6.000	ST
2	5.321-230.0	Handhold few	1.000	ST
3	4.481-050.0	Lever	1.000	ST
	Item text1: / 1.979-701.0			
4	5.481-052.0	Lever	1.000	ST
5	5.411-067.0	Screw plug	1.000	ST
6	5.332-157.0	Helical spring	1.000	ST
7	5.582-084.0	Valve disc	1.000	ST
8	6.362-584.0	O-Ring seal 12,42X 1,78	1.000	ST
9	7.307-417.0	Threaded pin M8x16 -45H-A2E ISO 4026	1.000	ST
10	5.107-097.0	Bar	1.000	ST
11	6.362-571.0	O-Ring seal complete /1ST.-R	1.000	ST
12	4.427-131.0	Manifold	1.000	ST
	Item text1: / 1.979-701.0			
13	6.362-496.0	O-Ring seal 17,12X 2,62-NBR 70	1.000	ST
14	6.303-025.0	Oval head screw 4,2x16-St-vz	1.000	ST
15	6.363-115.0	O-Ring seal complete 1ST.-R.	1.000	ST
16	6.389-853.0	HIGH PRESSURE HOSE DN6 25MPa 10m	1.000	ST
17	2.880-990.0	Spare part set O-Ring 5x -Kaercher	1.000	ST
100	2.883-192.0	Spare part set 1450HW,1500HWS+SUPE	1.000	ST

100 Spare part set 1450HW,1500HWS+SUPE (2.883-192.0)

POS	Article no.	Description	Quantity	Unit
10	5.332-157.0	Helical spring	1.000	ST
20	5.582-084.0	Valve disc	1.000	ST
30	6.288-072.0	Silicon grease	1.000	ST
40	6.362-422.0	O-Ring seal complete 1ST.-R.	1.000	ST
50	6.362-496.0	O-Ring seal 17,12X 2,62-NBR 70	1.000	ST
60	6.362-571.0	O-Ring seal complete /1ST.-R	1.000	ST
70	6.362-584.0	O-Ring seal 12,42X 1,78	1.000	ST

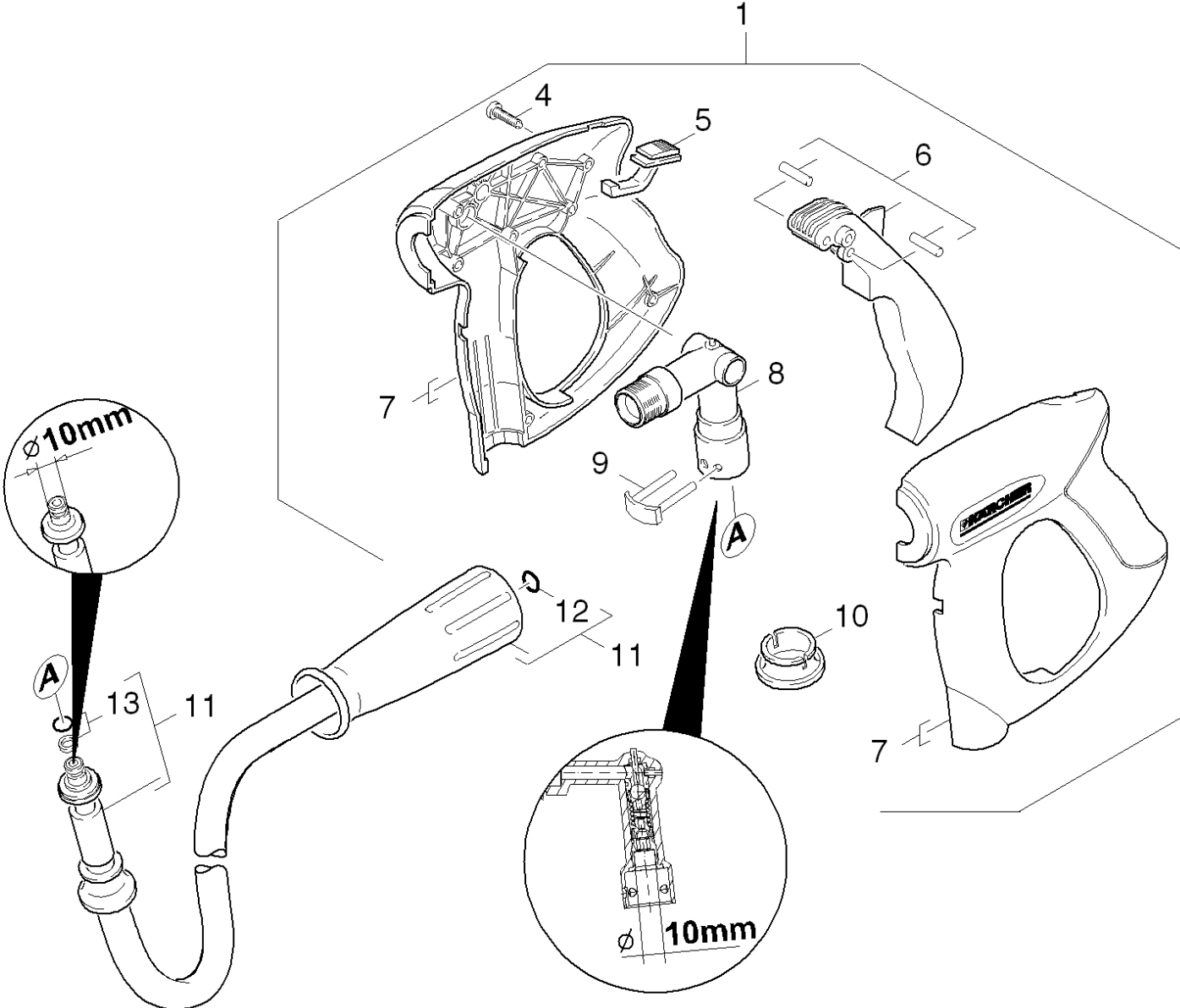


83 Hand trigger gun

POS	Article no.	Description	Quantity	Unit
0	7.777-999.0	Stockpiling discontinued	1.000	ST
1	5.321-494.0	Handhold few	1.000	ST
2	7.303-096.0	Screw 4x22 -ST-10.9-R2R (IN6RD)	8.000	ST
3	5.322-011.0	Hand wheel	1.000	ST
4	6.362-642.0	O-Ring d. 7,65x1,78 -NBR 80	1.000	ST
5	5.481-178.0	Lever	1.000	ST
7	5.553-347.0	Piston	1.000	ST
10	5.332-384.0	Helical spring	1.000	ST
11	5.115-675.0	Washer	1.000	ST
12	5.427-210.0	Manifold	1.000	ST
13	6.362-477.0	O-Ring seal complete 1ST.-R.	1.000	ST
14	5.316-400.0	Bolt	1.000	ST
15	5.110-596.0	Sleeve	1.000	ST
16	4.037-013.0	Hook	1.000	ST
17	5.115-661.0	Washer	1.000	ST
18	6.389-853.0	HIGH PRESSURE HOSE DN6 25MPa 10m	1.000	ST
19	2.880-990.0	Spare part set O-Ring 5x -Kaercher	1.000	ST
20	6.363-115.0	O-Ring seal complete 1ST.-R.	1.000	ST
100	2.883-903.0	Spare part set	1.000	ST

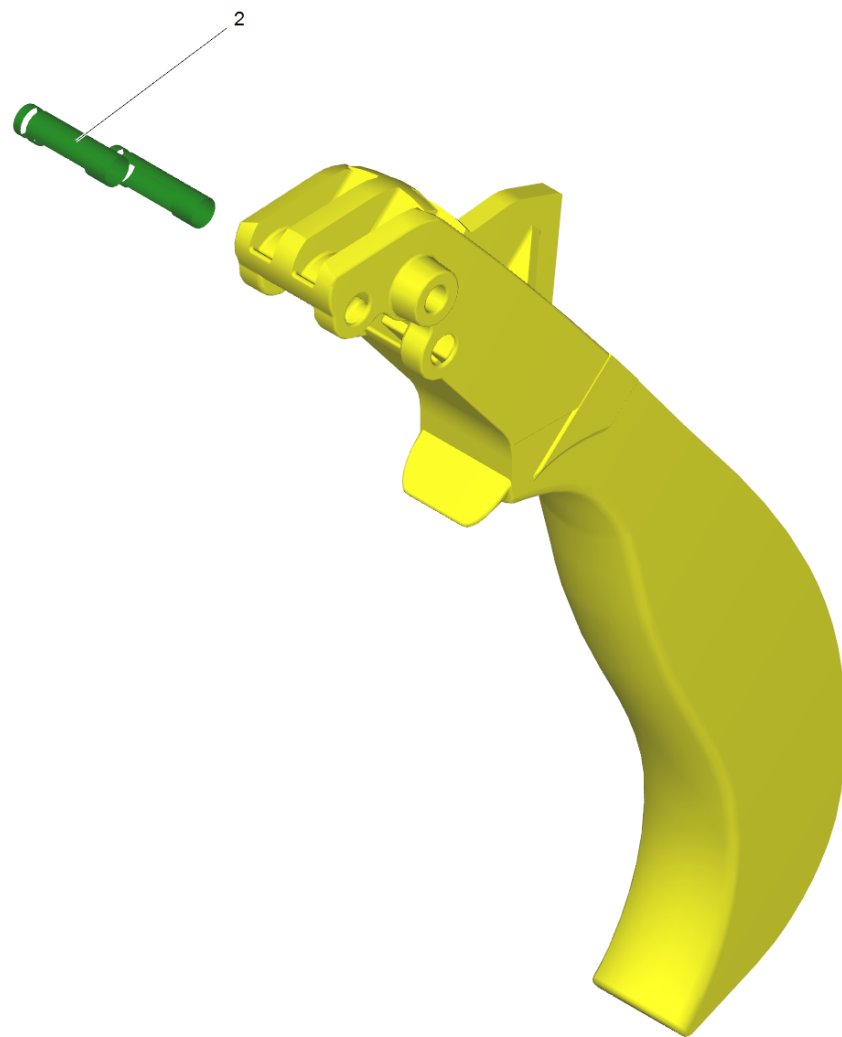
100 Spare part set (2.883-903.0)

POS	Article no.	Description	Quantity	Unit
10	5.404-068.0	Hollow screw	1.000	ST
20	5.581-211.0	Valve seat	1.000	ST
30	6.362-642.0	O-Ring d. 7,65x1,78 -NBR 80	1.000	ST
40	6.590-004.0	Bag PE 80x100 mm	1.000	ST



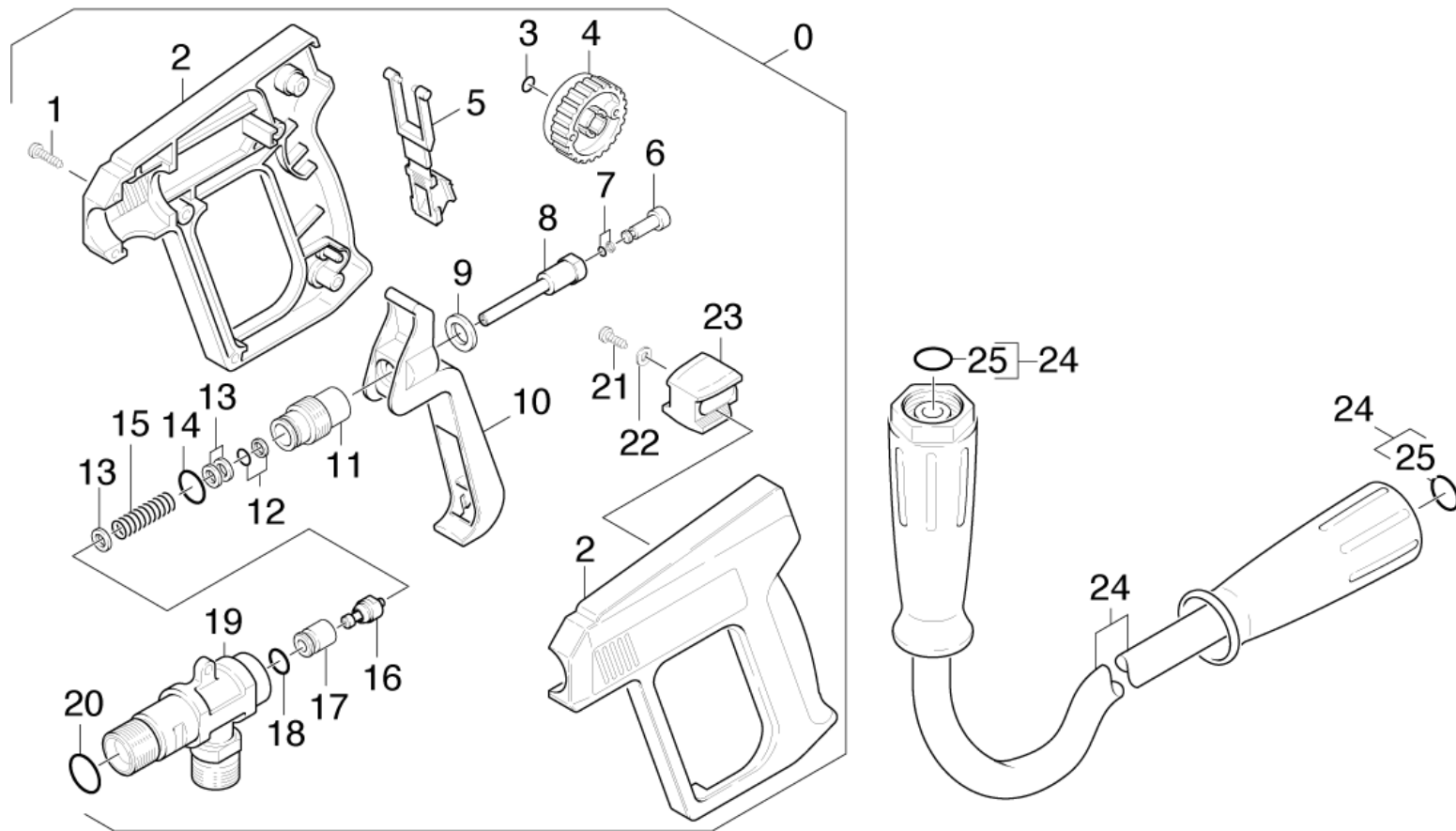
84 Hand trigger gun

POS	Article no.	Description	Quantity	Unit
1	4.775-557.0	Hand trigger gun nipple 10 n.f.Ersatz	1.000	ST
4	7.303-096.0	Screw 4x22 -ST-10.9-R2R (IN6RD)	7.000	ST
5	5.481-331.0	Slider	1.000	ST
6	4.481-209.0	Lever complete	1.000	ST
7	5.321-669.3	Handhold few	1.000	ST
8	4.427-319.0	Manifold complete only for replacement	1.000	ST
9	4.037-013.0	Hook	1.000	ST
10	5.110-596.0	Sleeve	1.000	ST
11	6.389-853.0	HIGH PRESSURE HOSE DN6 25MPa 10m	1.000	ST
12	2.880-990.0	Spare part set O-Ring 5x -Kaercher	1.000	ST
13	6.363-115.0	O-Ring seal complete 1ST.-R.	1.000	ST



6 Lever complete (4.481-209.0)

POS	Article no.	Description	Quantity	Unit
2	5.314-119.0	Pin	2.000	ST

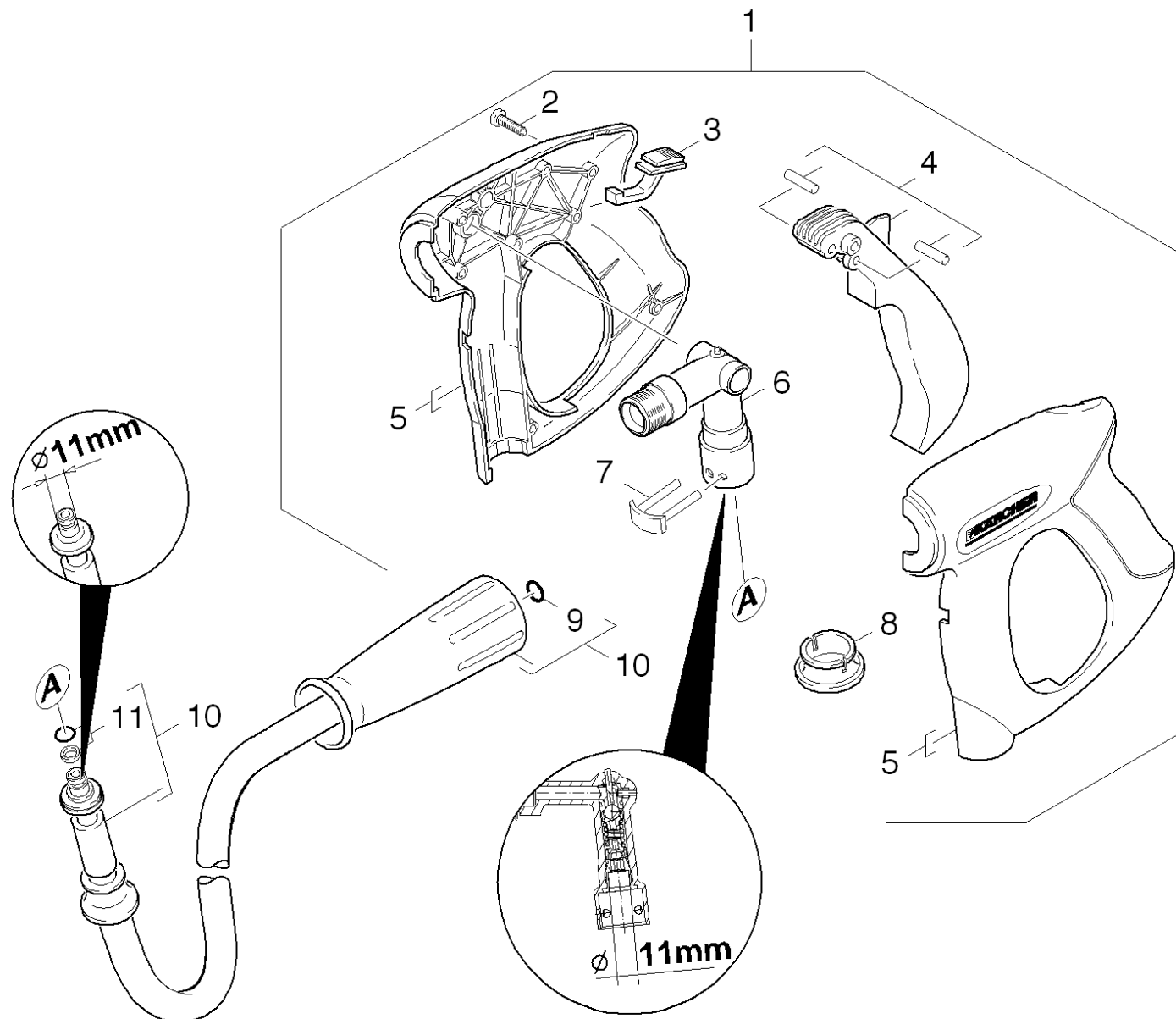


85 Hand trigger gun

POS	Article no.	Description	Quantity	Unit
0	4.775-026.0	Hand trigger gun	1.000	ST
1	7.303-096.0	Screw 4x22 -ST-10.9-R2R (IN6RD)	8.000	ST
2	5.321-174.0	Handhold few	1.000	ST
3	6.362-176.0	O-Ring seal 6,07x1,78	1.000	ST
4	5.322-006.0	Hand wheel	1.000	ST
5	5.030-283.0	Moulded part	1.000	ST
6	5.553-118.0	Piston	1.000	ST
7	6.362-477.0	O-Ring seal complete 1ST.-R.	1.000	ST
8	5.107-062.0	Bar	1.000	ST
9	5.115-227.0	Washer	1.000	ST
10	5.481-039.0	Lever	1.000	ST
11	5.305-110.0	Shaped screw	1.000	ST
12	6.362-468.0	O-Ring seal complete 1ST.-R.	1.000	ST
13	5.115-260.0	Washer	3.000	ST
14	6.362-478.0	O-Ring seal 12,42X 1,78	1.000	ST
15	5.332-140.0	Helical spring	1.000	ST
16	4.581-049.0	Valve seat	1.000	ST
17	5.110-348.0	Sleeve	1.000	ST
18	6.362-479.0	O-Ring seal 7,59X 2,62	1.000	ST
19	5.427-079.0	Manifold	1.000	ST
20	6.362-496.0	O-Ring seal 17,12X 2,62-NBR 70	1.000	ST
21	6.303-025.0	Oval head screw 4,2x16-St-vz	1.000	ST
22	7.312-001.0	Washer 4 -200HV-A3E ISO 7089	1.000	ST
23	5.030-459.0	Moulded part	1.000	ST
24	6.390-010.0	Hose assembly rotatable DN8 max.31,5MPa	1.000	ST
25	2.880-990.0	Spare part set O-Ring 5x -Kaercher	1.000	ST
100	2.883-014.0	HDS 1290 GUN KIT	1.000	ST

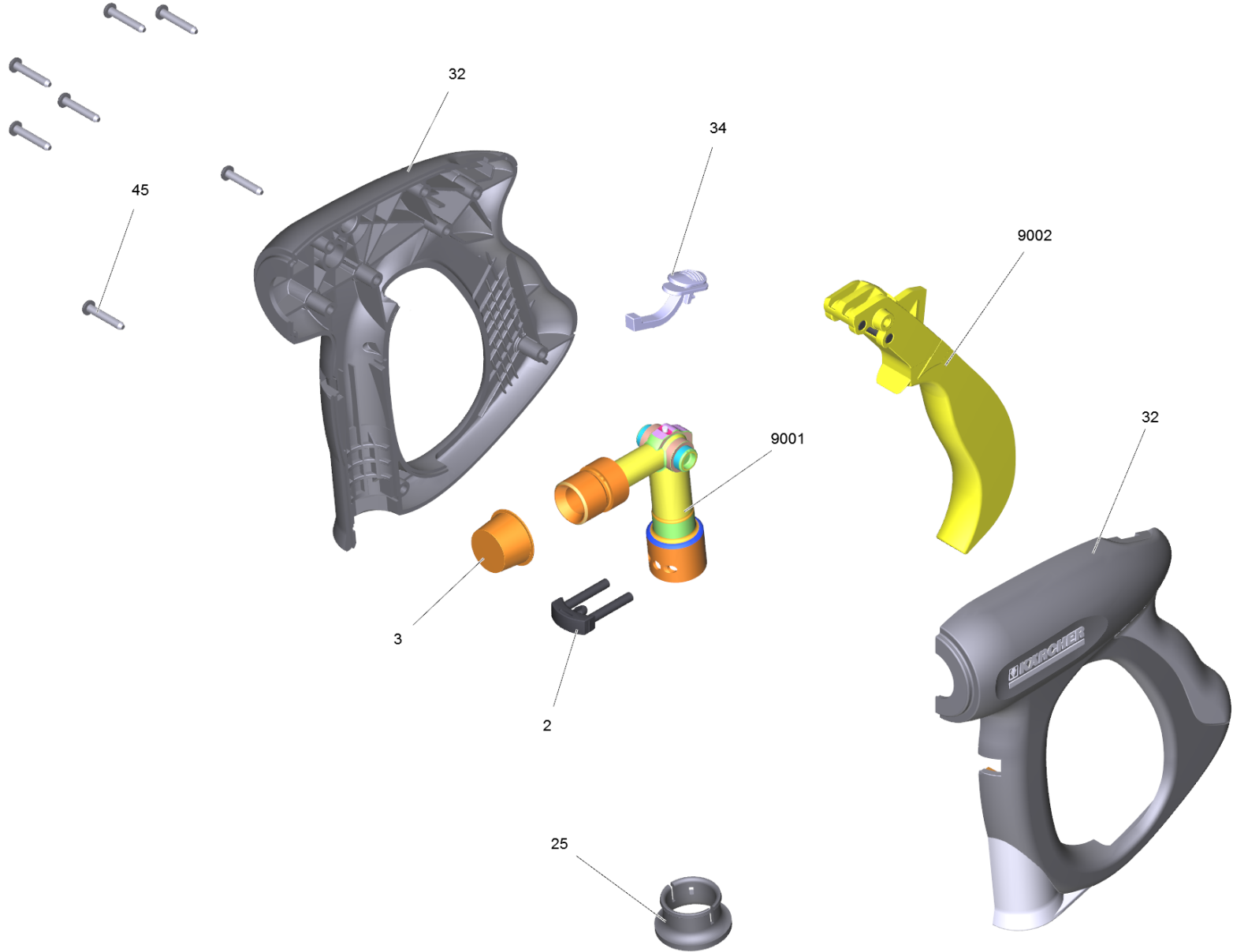
100 HDS 1290 GUN KIT (2.883-014.0)

POS	Article no.	Description	Quantity	Unit
10	4.581-049.0	Valve seat	1.000	ST
20	5.110-348.0	Sleeve	1.000	ST
30	5.332-140.0	Helical spring	1.000	ST
40	6.303-024.0	Oval head screw 4,2x22-ST-VERZ	8.000	ST
50	6.362-468.0	O-Ring seal complete 1ST.-R.	1.000	ST
60	6.362-477.0	O-Ring seal complete 1ST.-R.	1.000	ST
70	6.362-478.0	O-Ring seal 12,42X 1,78	1.000	ST
80	6.362-479.0	O-Ring seal 7,59X 2,62	1.000	ST
90	6.362-496.0	O-Ring seal 17,12X 2,62-NBR 70	1.000	ST



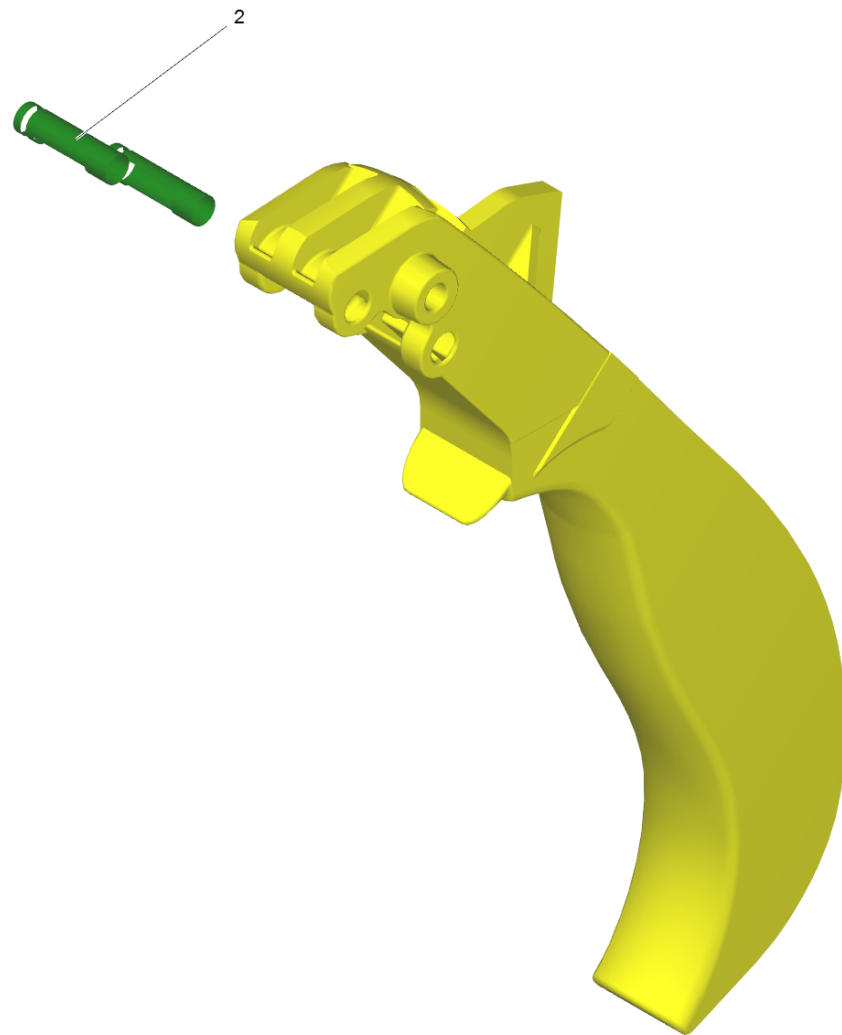
86 Hand trigger gun

POS	Article no.	Description	Quantity	Unit
1	4.775-463.0	HAND TRIGGER GUN EASY PRESS	1.000	ST
2	7.303-096.0	Screw 4x22 -ST-10.9-R2R (IN6RD)	7.000	ST
3	5.481-331.0	Slider	1.000	ST
4	4.481-209.0	Lever complete	1.000	ST
5	5.321-669.3	Handhold few	1.000	ST
6	4.427-215.0	Manifold complete only for replacement	1.000	ST
7	4.037-013.0	Hook	1.000	ST
8	5.110-596.0	Sleeve	1.000	ST
9	2.880-990.0	Spare part set O-Ring 5x -Kaercher	1.000	ST
10	6.391-238.0	Hose assembly standard DN6 25MPa 10m	1.000	ST
11	4.363-691.0	O-Ring seal kpl. -nur fuer Ersatz-	1.000	ST



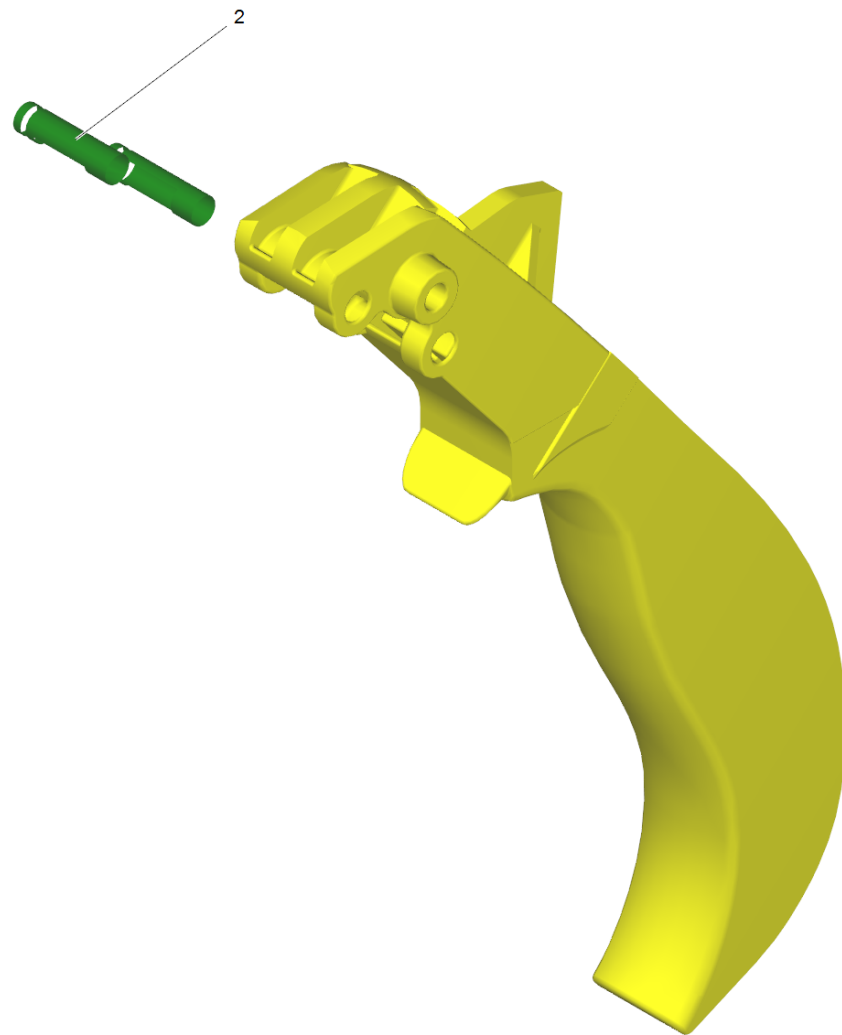
1 HAND TRIGGER GUN EASY PRESS (4.775-463.0)

POS	Article no.	Description	Quantity	Unit
2	4.037-013.0	Hook	1.000	ST
3	6.368-012.0	Protecting cap 22X1,5	1.000	ST
4	6.869-075.0	Metal bonding agent 1,5 ml	1.000	ST
cart_info_txt: This material is not available due to hazardous good regulation. Please procure this or a similar material from a local supplier of your choice.				
25	5.110-596.0	Sleeve	1.000	ST
32	5.321-669.3	Handhold few	1.000	ST
34	5.481-331.0	Slider	1.000	ST
45	7.303-096.0	Screw 4x22 -ST-10.9-R2R (IN6RD)	7.000	ST
1041	6.288-044.0	Silicon grease 100 G	1.000	ST
9001	4.427-215.0	Manifold complete only for replacement	1.000	ST
9002	4.481-209.0	Lever complete	1.000	ST



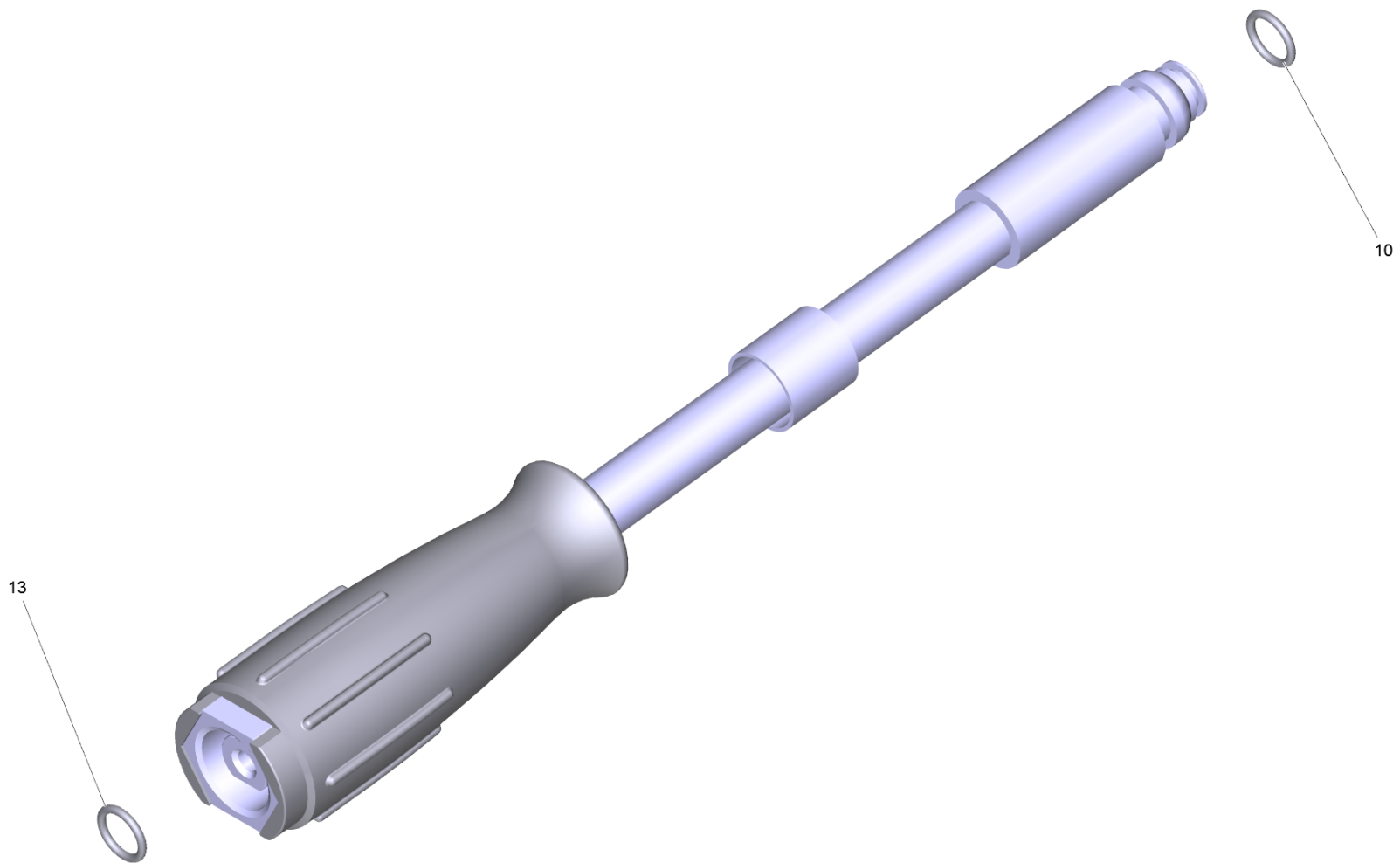
9002 Lever complete (4.481-209.0)

POS	Article no.	Description	Quantity	Unit
2	5.314-119.0	Pin	2.000	ST



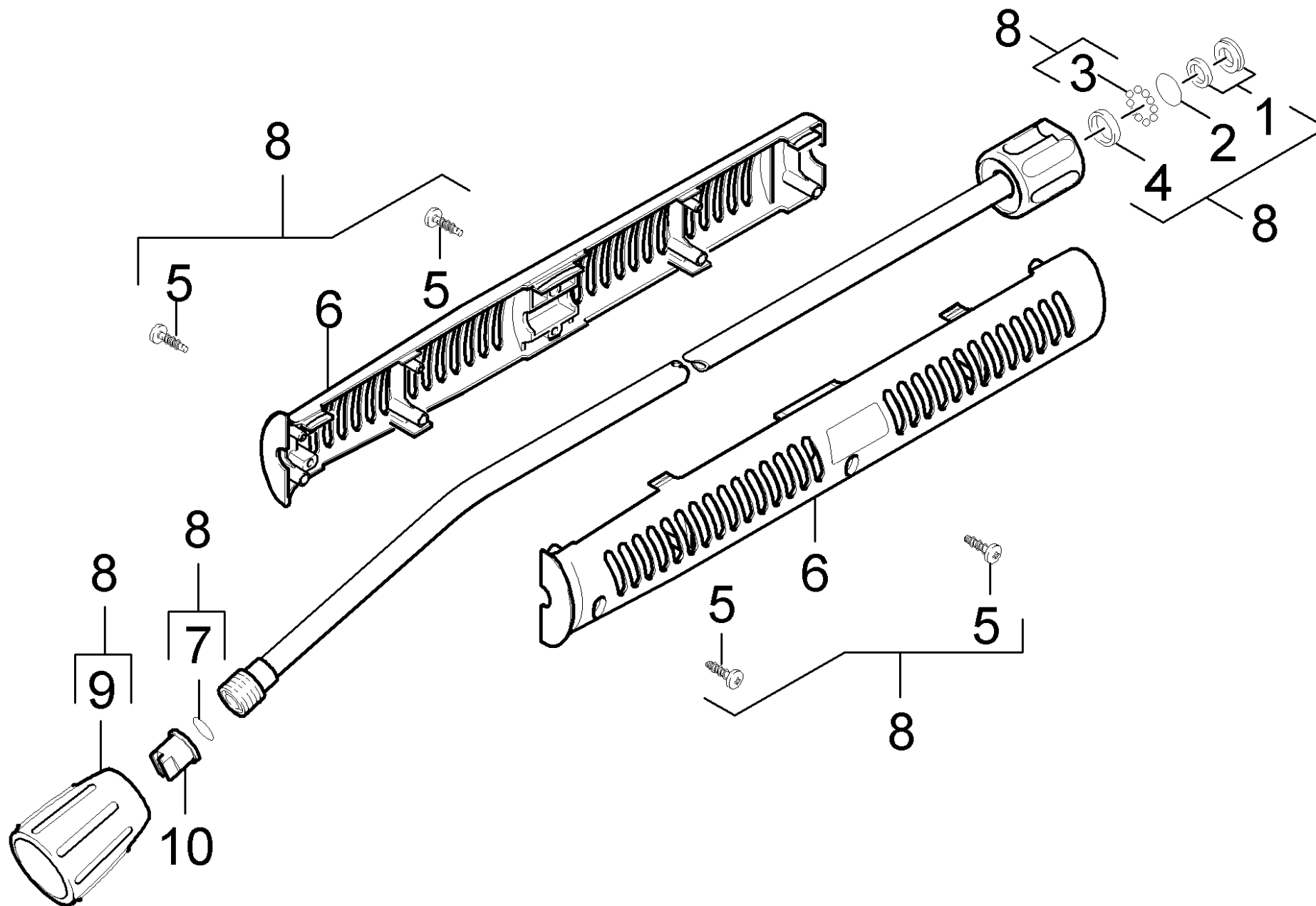
4 Lever complete (4.481-209.0)

POS	Article no.	Description	Quantity	Unit
2	5.314-119.0	Pin	2.000	ST



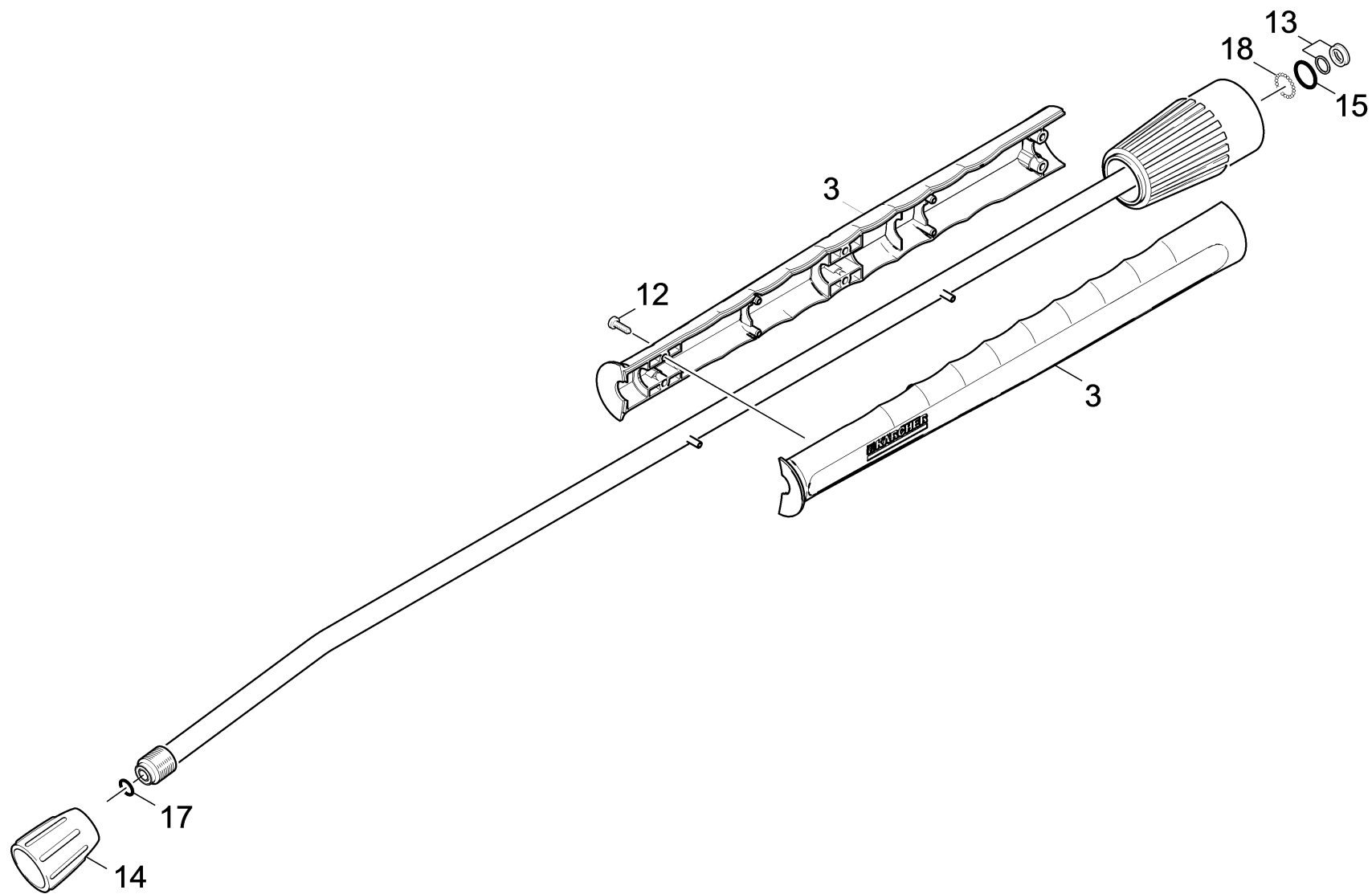
10 Hose assembly standard DN6 25MPa 10m (6.391-238.0)

POS	Article no.	Description	Quantity	Unit
10	4.363-691.0	O-Ring seal kpl. -nur fuer Ersatz-	1.000	ST
13	2.880-990.0	Spare part set O-Ring 5x -Kaercher	1.000	ST



87 Jet pipe

POS	Article no.	Description	Quantity	Unit
1	4.363-692.0	Grooved ring kpl. -nur fuer Ersatz-	1.000	ST
2	6.362-524.0	O-Ring seal 17,0 X 1,5	1.000	ST
3	7.401-921.0	Sphere 4 G20 -1.4034 DIN 5401	12.000	ST
4	6.362-529.0	Joint ring 12x1,5	1.000	ST
5	6.303-025.0	Oval head screw 4,2x16-St-vz	4.000	ST
6	5.321-150.0	HANDLE (PART NO=ONE HALF)	2.000	ST
7	2.880-990.0	Spare part set O-Ring 5x -Kaercher	1.000	ST
8	4.760-660.0	Jet pipe packaged only for replacement	1.000	ST
9	5.401-129.0	Screw connector part	1.000	ST
10	2.883-398.0	Power nozzle 25045	1.000	ST
	Item text1: / 1.029-281.0			

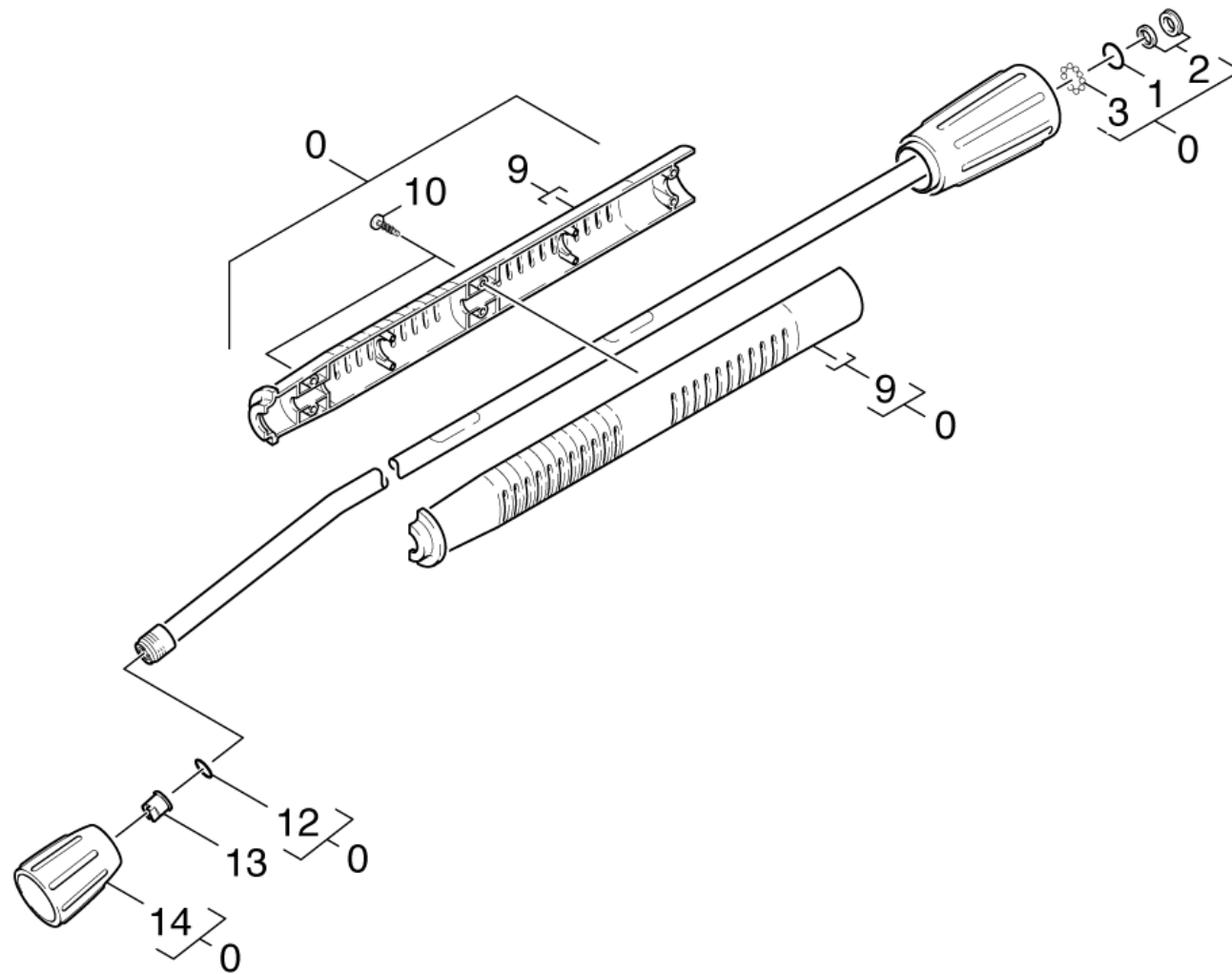


8 Jet pipe packaged only for replacement (4.760-660.0)

POS	Article no.	Description	Quantity	Unit
3	5.321-855.0	Handhold few jet pipe with welding bolt	1.000	ST
12	7.303-129.0	Screw 4x16 -10.9-R2R (K-In6Rd)	6.000	ST
13	4.363-692.0	Grooved ring kpl. -nur fuer Ersatz-	1.000	ST
14	5.401-210.0	Screw connector part	1.000	ST
15	6.362-524.0	O-Ring seal 17,0 X 1,5	1.000	ST
17	2.880-990.0	Spare part set O-Ring 5x -Kaercher	1.000	ST
18	7.401-915.0	Sphere 2,5 G40 -1.4034 DIN 5401	1.000	ST

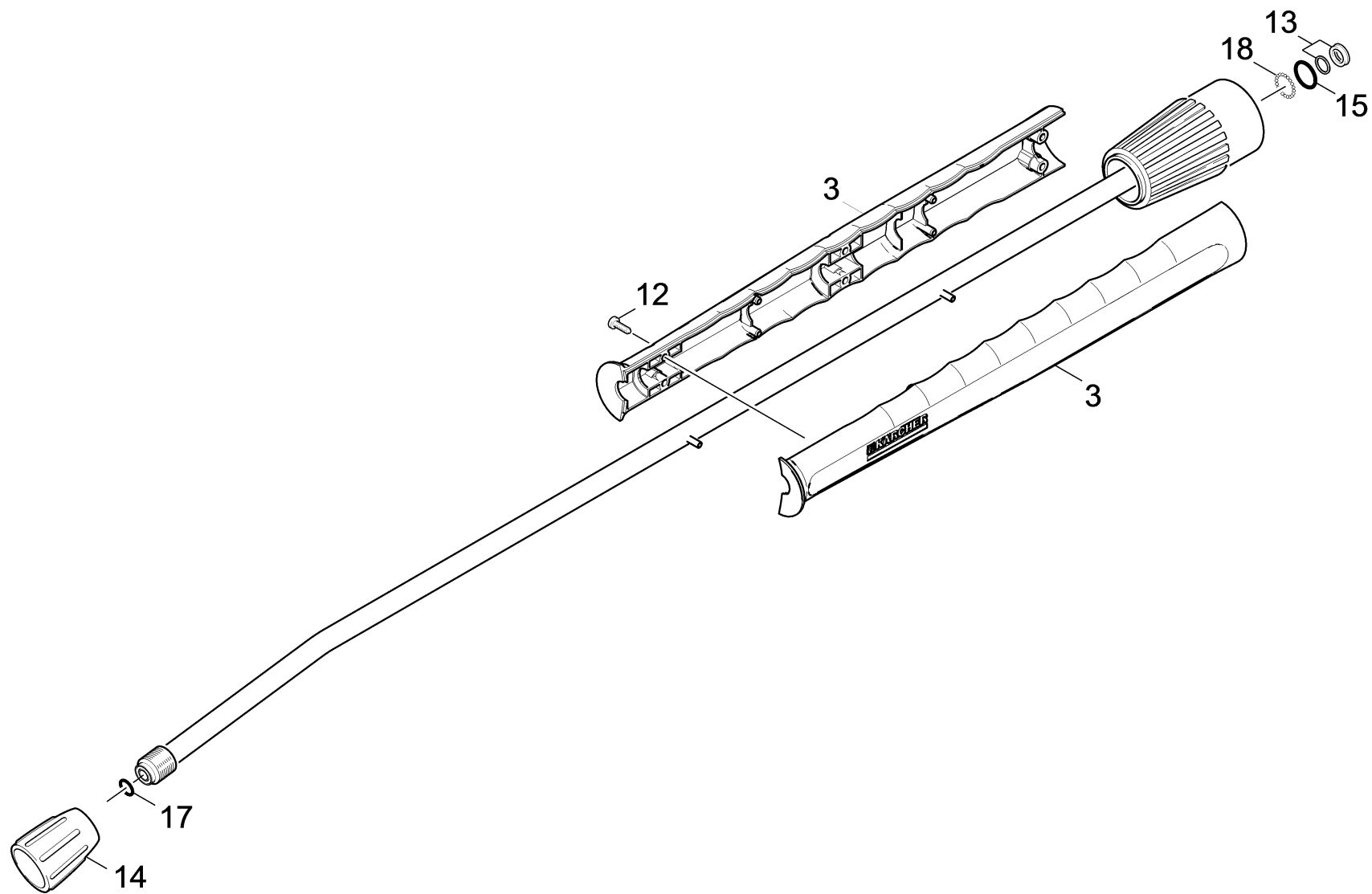
14 Screw connector part (5.401-210.0)

POS	Article no.	Description	Quantity	Unit
10	9.369-041.0	SCREW CONNECTOR PART	1.000	ST



88 Jet pipe

POS	Article no.	Description	Quantity	Unit
0	4.760-660.0	Jet pipe packaged only for replacement	1.000	ST
1	6.362-524.0	O-Ring seal 17,0 X 1,5	1.000	ST
2	4.363-692.0	Grooved ring kpl. -nur fuer Ersatz-	1.000	ST
3	7.401-915.0	Sphere 2,5 G40 -1.4034 DIN 5401	20.000	ST
9	5.321-691.0	Handhold few jet pipe	1.000	ST
10	6.303-025.0	Oval head screw 4,2x16-St-vz	6.000	ST
12	2.880-154.0	O-Ring kit	1.000	ST
13	2.883-398.0	Power nozzle 25045	1.000	ST
14	5.401-129.0	Screw connector part	1.000	ST

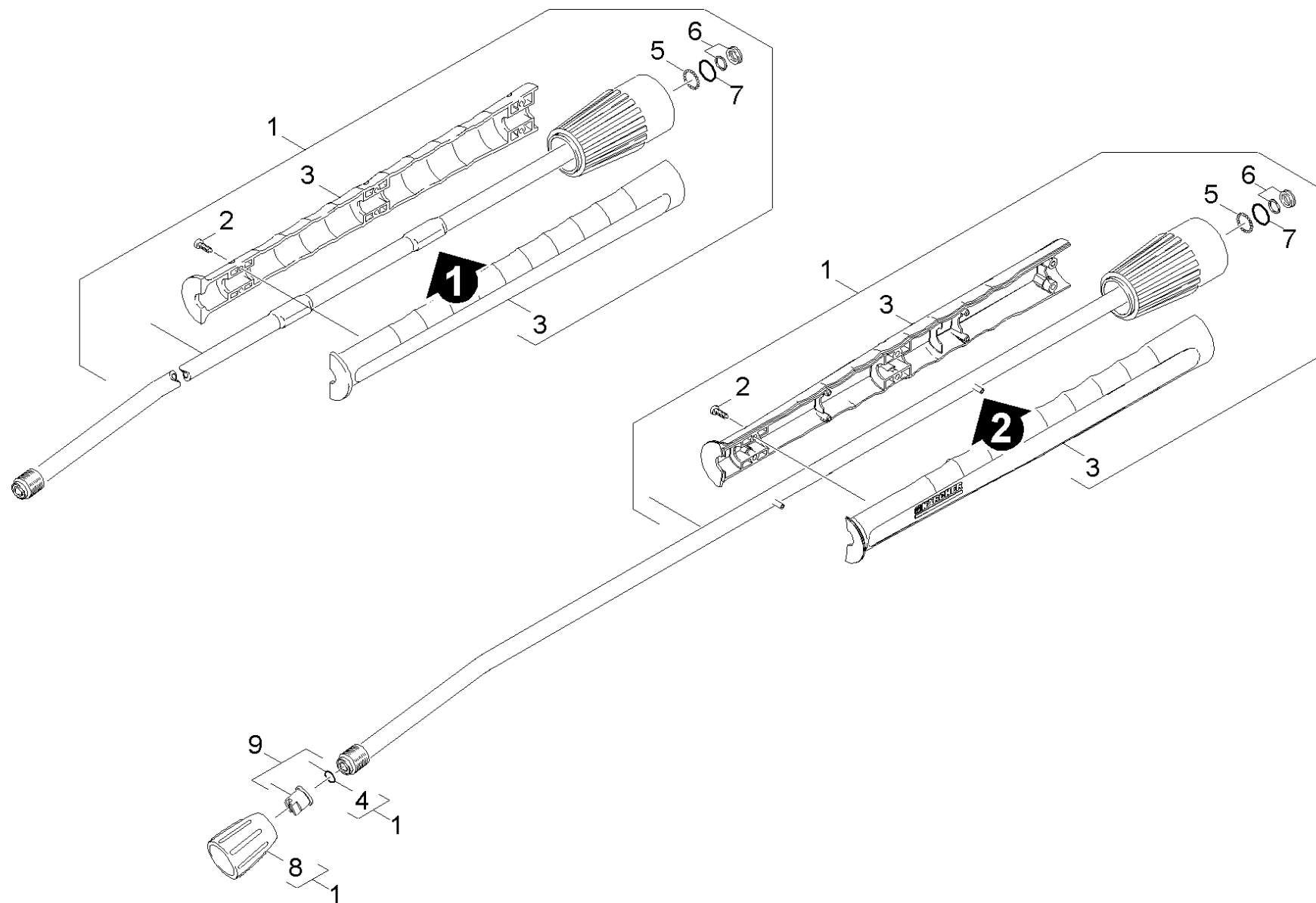


Jet pipe packaged only for replacement (4.760-660.0)

POS	Article no.	Description	Quantity	Unit
3	5.321-855.0	Handhold few jet pipe with welding bolt	1.000	ST
12	7.303-129.0	Screw 4x16 -10.9-R2R (K-In6Rd)	6.000	ST
13	4.363-692.0	Grooved ring kpl. -nur fuer Ersatz-	1.000	ST
14	5.401-210.0	Screw connector part	1.000	ST
15	6.362-524.0	O-Ring seal 17,0 X 1,5	1.000	ST
17	2.880-990.0	Spare part set O-Ring 5x -Kaercher	1.000	ST
18	7.401-915.0	Sphere 2,5 G40 -1.4034 DIN 5401	1.000	ST

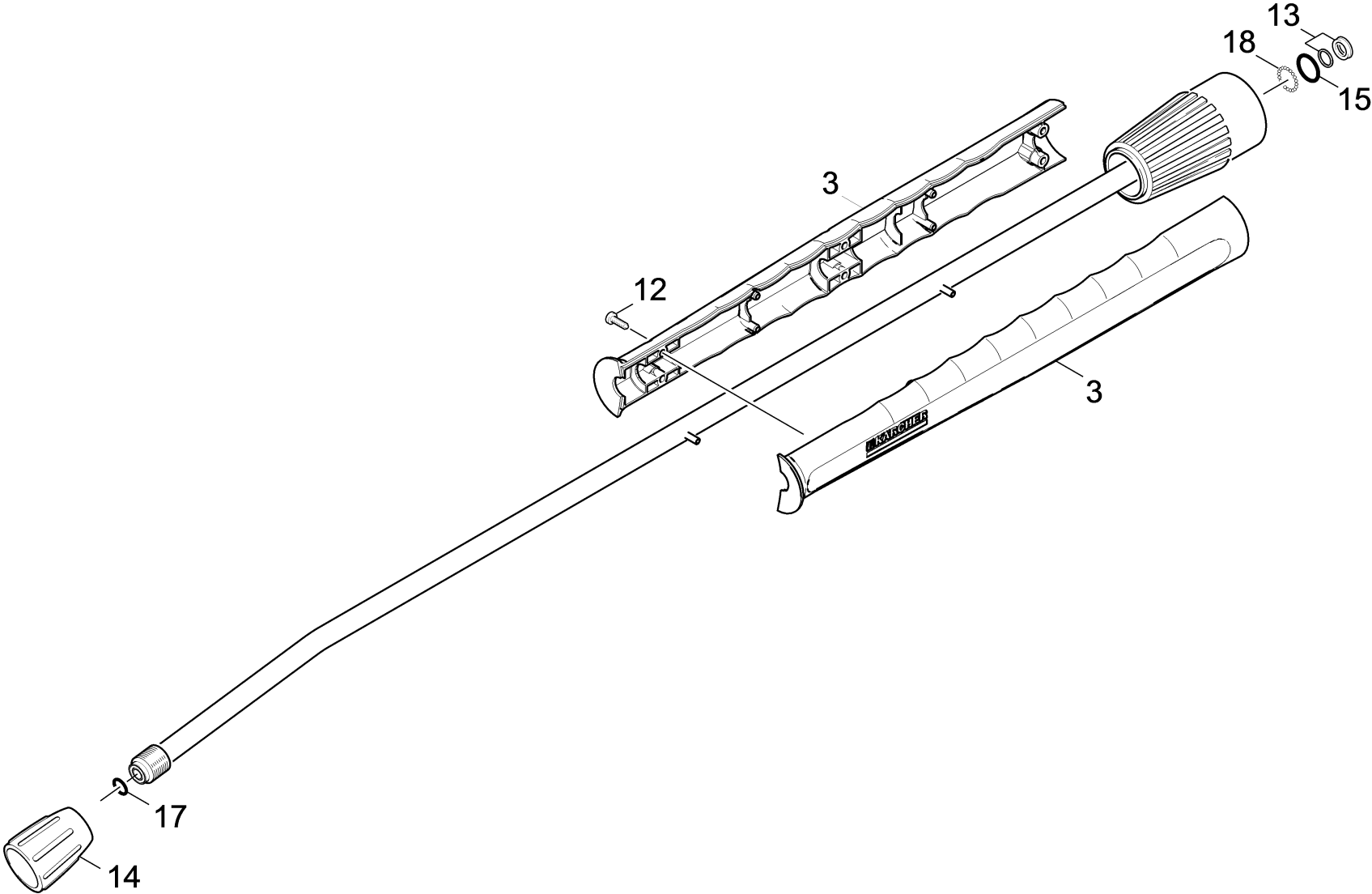
14 Screw connector part (5.401-210.0)

POS	Article no.	Description	Quantity	Unit
10	9.369-041.0	SCREW CONNECTOR PART	1.000	ST



89 Jet pipe

POS	Article no.	Description	Quantity	Unit	Remark
1	4.760-660.0	Jet pipe packaged only for replacement	1.000	ST	
2	7.303-129.0	Screw 4x16 -10.9-R2R (K-In6Rd)	6.000	ST	
3	5.321-855.0	Handhold few jet pipe with welding bolt	1.000	ST	VERSION 2
3	5.321-691.0	Handhold few jet pipe	1.000	ST	VERSION 1
4	2.880-990.0	Spare part set O-Ring 5x -Kaercher	1.000	ST	
5	7.401-915.0	Sphere 2,5 G40 -1.4034 DIN 5401	20.000	ST	
6	4.363-692.0	Grooved ring kpl. -nur fuer Ersatz-	1.000	ST	
7	6.362-524.0	O-Ring seal 17,0 X 1,5	1.000	ST	
8	5.401-129.0	Screw connector part	1.000	ST	
9	2.883-398.0	Power nozzle 25045	1.000	ST	



1 Jet pipe packaged only for replacement (4.760-660.0)

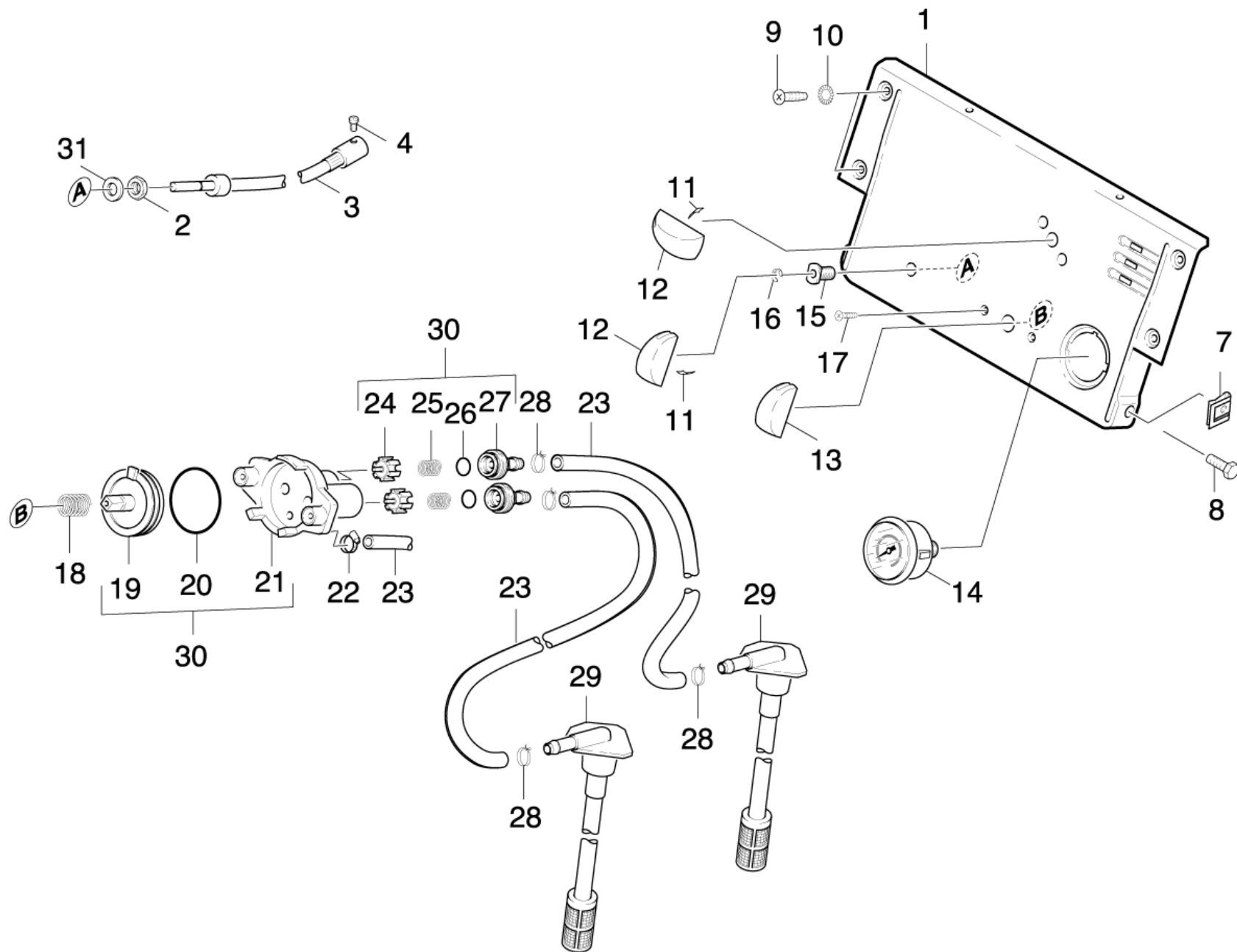
POS	Article no.	Description	Quantity	Unit
3	5.321-855.0	Handhold few jet pipe with welding bolt	1.000	ST
12	7.303-129.0	Screw 4x16 -10.9-R2R (K-In6Rd)	6.000	ST
13	4.363-692.0	Grooved ring kpl. -nur fuer Ersatz-	1.000	ST
14	5.401-210.0	Screw connector part	1.000	ST
15	6.362-524.0	O-Ring seal 17,0 X 1,5	1.000	ST
17	2.880-990.0	Spare part set O-Ring 5x -Kaercher	1.000	ST
18	7.401-915.0	Sphere 2,5 G40 -1.4034 DIN 5401	1.000	ST

14 Screw connector part (5.401-210.0)

POS	Article no.	Description	Quantity	Unit
10	9.369-041.0	SCREW CONNECTOR PART	1.000	ST

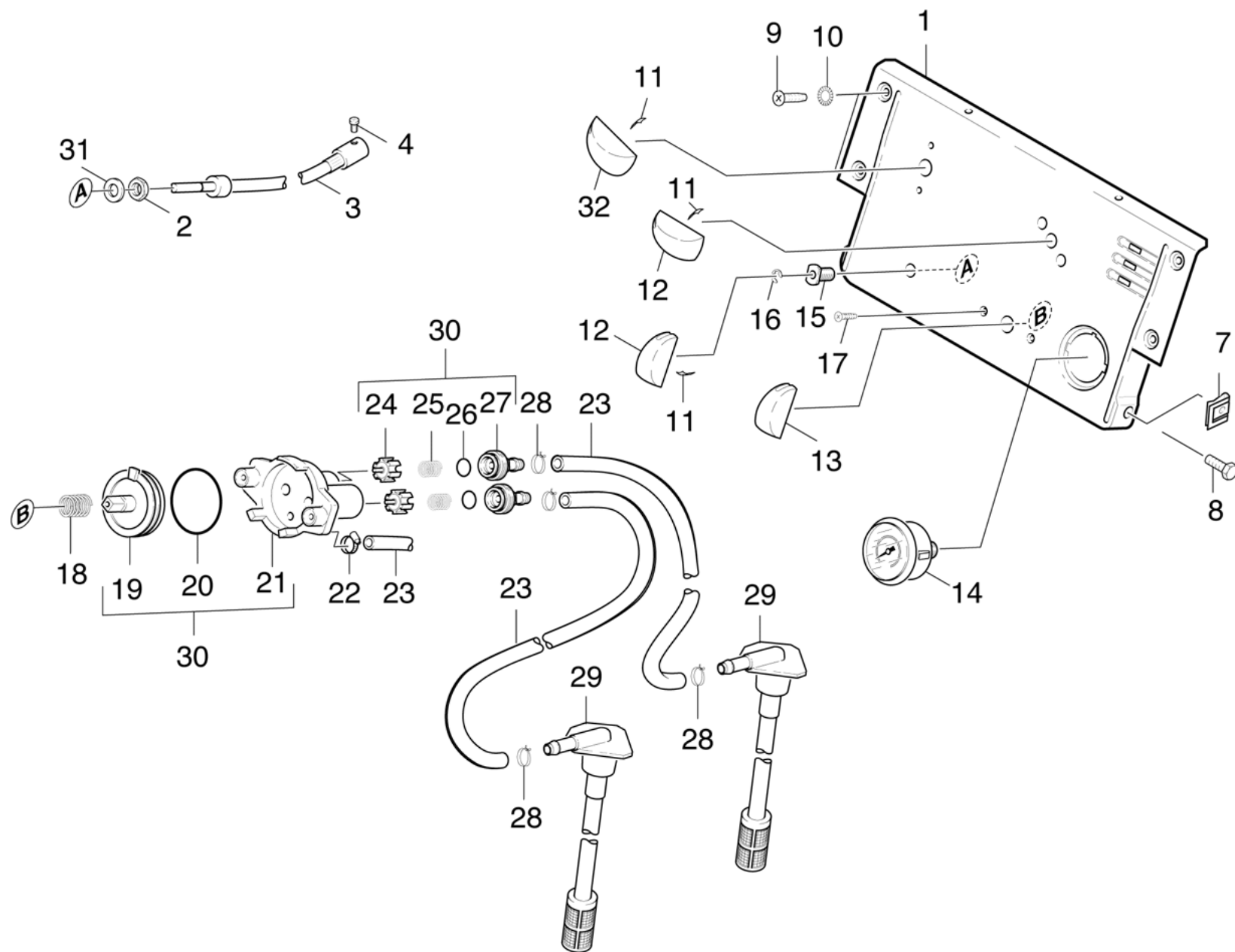
90 Control panel

POS	Description	Quantity	Unit	Remark
91	Control panel	1.000	ST	VERSION 1
92	Control panel	1.000	ST	VERSION 2



91 Control panel

POS	Article no.	Description	Quantity	Unit	Foot note text
1	7.777-999.0	Stockpiling discontinued	1.000	ST	
2	7.311-202.0	Hexagon nut M10-04-A2E ISO 4035	1.000	ST	
3	6.431-112.0	Shaft flexible	1.000	ST	
4	7.306-651.0	Cylinder head screw M 5X 8- 4.8-A2E I	1.000	ST	
7	6.310-082.0	Putting nut M6	2.000	ST	
8	7.304-382.0	Hexagonal head screw M 6x12-8.8-A2E ISO	2.000	ST	
9	7.303-038.0	Screw M5x12 -St-P2R (In6Rd)	4.000	ST	
10	7.312-172.0	Toothed lock washer A5,3-FSt-A3E DIN 67	4.000	ST	
11	6.313-014.0	Spring element	3.000	ST	
12	5.321-378.0	Handhold	3.000	ST	
13	5.321-379.0	Handhold	1.000	ST	
14	6.421-170.0	Pressure gauge 0-315 BAR	1.000	ST	
15	5.112-460.0	Bush	1.000	ST	
16	7.343-034.0	Locking ring 6x0,7 -St-ph DIN 471	1.000	ST	
17	7.305-255.0	Countersunk screw M 4x12-A2-70-sw ISO70	2.000	ST	
18	5.332-028.0	Helical spring	1.000	ST	
19	5.581-035.0	Valve seat	1.000	ST	
20	6.362-382.0	O-Ring seal 42,0 X 2,5	1.000	ST	
21	5.587-046.0	Valve housing	1.000	ST	
22	6.388-515.0	Hose clip	1.000	ST	
23	6.388-194.0	Hose DN 7	1.000	M	TO ORDER AS CUT GOODS
24	5.584-028.0	Valve pin	2.000	ST	
25	5.332-076.0	Helical spring	2.000	ST	
26	6.362-395.0	O-Ring seal 14,0 X 1,78-NBR 70	2.000	ST	
27	5.586-014.0	Valve connecting piece	2.000	ST	
28	6.388-561.0	Hose clip	4.000	ST	
29	6.414-028.0	Filter	2.000	ST	
30	4.580-075.0	Valve	1.000	ST	
31	7.312-062.0	Washer 10-Kunststoff ISO7089	1.000	ST	



92 Control panel

POS	Article no.	Description	Quantity	Unit	Foot note text
1	5.841-332.0	Control panel	1.000	ST	
2	7.311-202.0	Hexagon nut M10-04-A2E ISO 4035	1.000	ST	
3	6.431-112.0	Shaft flexible	1.000	ST	
4	7.306-651.0	Cylinder head screw M 5X 8- 4.8-A2E I	1.000	ST	
7	6.310-082.0	Putting nut M6	2.000	ST	
8	7.304-382.0	Hexagonal head screw M 6x12-8.8-A2E ISO	2.000	ST	
9	7.303-038.0	Screw M5x12 -St-P2R (In6Rd)	4.000	ST	
10	7.312-172.0	Toothed lock washer A5,3-FSt-A3E DIN 67	4.000	ST	
11	6.313-014.0	Spring element	3.000	ST	
12	5.321-378.0	Handhold	2.000	ST	
13	5.321-379.0	Handhold	1.000	ST	
14	6.421-170.0	Pressure gauge 0-315 BAR	1.000	ST	
15	5.112-460.0	Bush	1.000	ST	
16	7.343-034.0	Locking ring 6x0,7 -St-ph DIN 471	1.000	ST	
17	7.305-255.0	Countersunk screw M 4x12-A2-70-sw ISO70	2.000	ST	
18	5.332-028.0	Helical spring	1.000	ST	
19	5.581-035.0	Valve seat	1.000	ST	
20	6.362-382.0	O-Ring seal 42,0 X 2,5	1.000	ST	
21	5.587-046.0	Valve housing	1.000	ST	
22	6.388-515.0	Hose clip	1.000	ST	
23	6.388-194.0	Hose DN 7	1.000	M	TO ORDER AS CUT GOODS
24	5.584-028.0	Valve pin	2.000	ST	
25	5.332-076.0	Helical spring	2.000	ST	
26	6.362-395.0	O-Ring seal 14,0 X 1,78-NBR 70	2.000	ST	
27	5.586-014.0	Valve connecting piece	2.000	ST	
28	6.388-561.0	Hose clip	4.000	ST	
29	6.414-028.0	Filter	2.000	ST	
30	4.580-075.0	Valve	1.000	ST	
31	7.312-062.0	Washer 10-Kunststoff ISO7089	1.000	ST	
32	5.321-377.0	Handhold	1.000	ST	