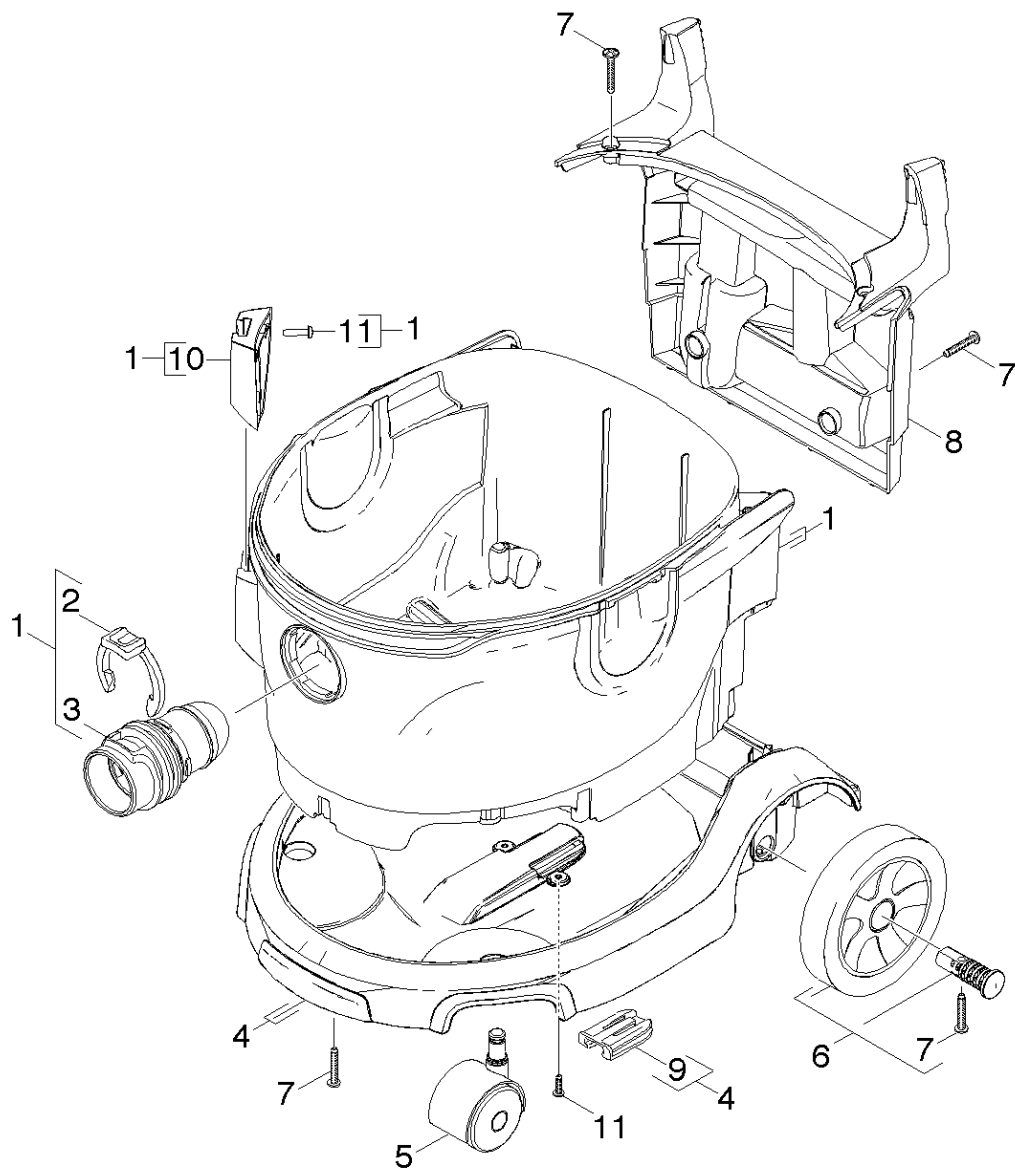


30 Tank

Overview technical documents/Professional/Vacuum cleaner/Dry vacuum cleaner/T 15/1 (1.355-211.0)/Spare parts list T 15/1/30 Tank



30 Tank

Overview technical documents/Professional/Vacuum cleaner/Dry vacuum cleaner/T 15/1 (1.355-211.0)/Spare parts list T 15/1/30 Tank

Poz.	Materiāla Nr.	Nosaukums	Daudzums	Pārdoš. vienība
1	4.070-683.0	Tank complete only for replacement	1.000	ST
Pozīcijas teksts: /1.355-201.0 / -202.0 / -203.0 / -204.0/ -207.0 / -208.0 / -209.0				
1	4.070-810.0	Tank complete	1.000	ST
Pozīcijas teksts: /1.355-211.0 / -212.0 / -213.0 / -214.0 / -217.0 / -218.0 / -219.0 / -221.0 / - 223.0				
2	5.343-022.0	Bloķētājgredzens	1.000	ST
3	5.032-567.0	suction connection	1.000	ST
4	4.521-001.0	Chassis complete only for replacement	1.000	ST
5	6.435-707.0	Castor	2.000	ST
6	4.515-272.0	Wheel complete RAL 9005	1.000	ST
Pozīcijas teksts: /1.355-201.0 / -202.0 / -203.0 / -204.0/ -207.0 / -208.0 / -209.0				
6	4.515-324.0	Wheel complete	2.000	ST
Pozīcijas teksts: /1.355-211.0 / -212.0 / -213.0 / -214.0 / -217.0 / -218.0 / -219.0 / -221.0 / - 223.0				
6	4.515-252.0	Wheel complete	2.000	ST
Pozīcijas teksts: /1.355-201.0 / -202.0 / -203.0 / -204.0/ -207.0 / -208.0 / -209.0				
7	7.303-086.0	Skrūve 5x30 -10.9-R2R (K-In6Rd)	10.000	ST
8	5.033-377.0	Holder accessories	1.000	ST
9	5.032-668.0	Moulded part	1.000	ST
10	5.033-681.0	Holder floor nozzle	1.000	ST
10	5.032-931.0	Floor tool holder	1.000	ST
11	7.303-129.0	Skrūve 4x16 -10.9-R2R (K-In6Rd)	5.000	ST