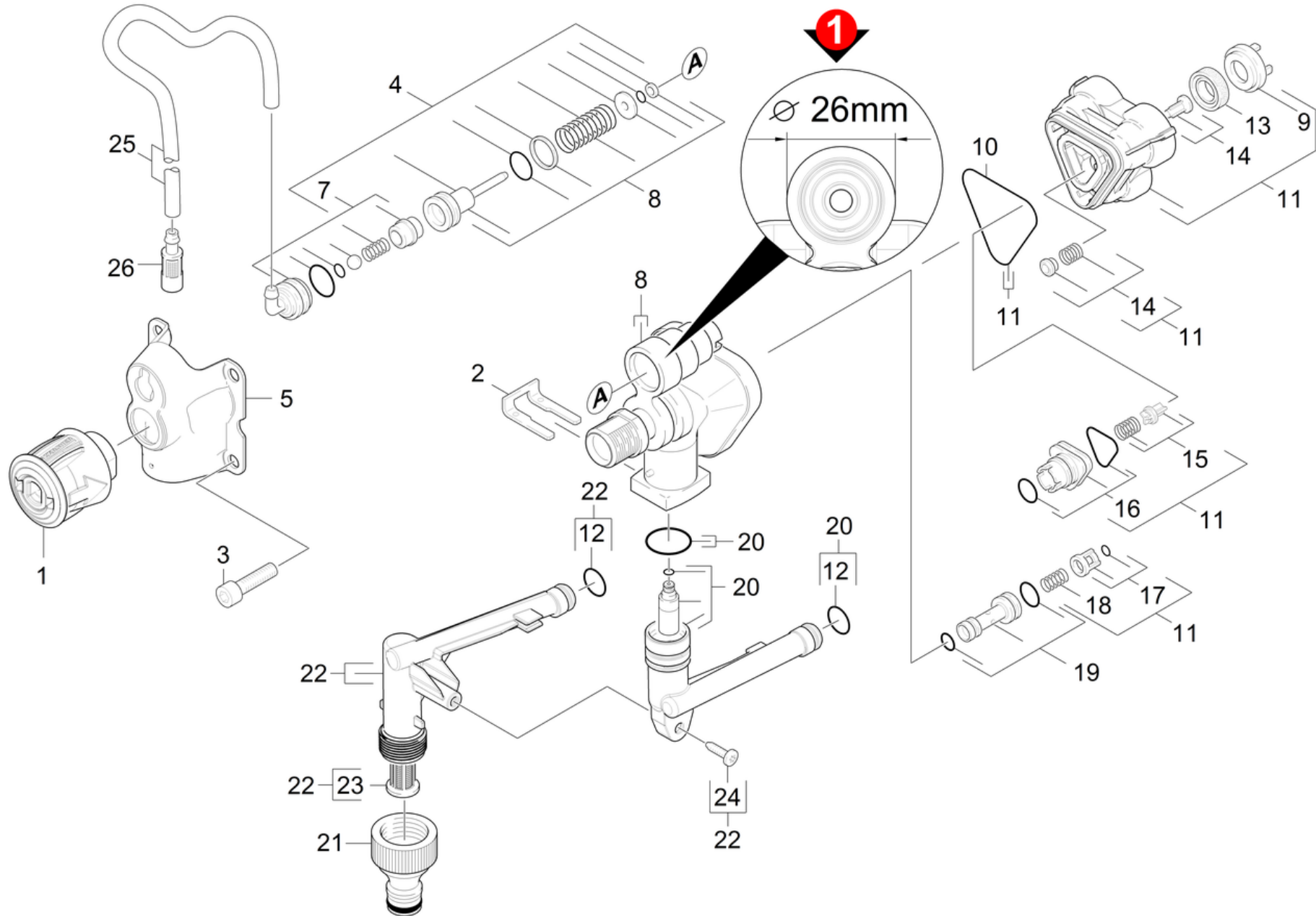


21 Housing

Home and Garden \ High pressure cleaner cold water \ Electric motor \ K 3 \ K 3.200 *EU \ Spare parts list K3.200 Compact \ Pump set \ Housing



21 Housing

Home and Garden \ High pressure cleaner cold water \ Electric motor \ K 3 \ K 3.200 *EU \ Spare parts list K3.200 Compact \ Pump set \ Housing



POS	Article no.	Description	Quantity	Unit
1	4.470-041.0	High pressure quick-fitting pipe union A	1	PC
2	9.039-148.0	Metal fork	1	PC
3	9.086-200.0	Screw M 8x55 Class 8.8	4	PC
4	9.001-981.0	Piston and water intake wcm	1	PC
5	9.039-308.0	Cover K130	1	PC
7	9.001-741.0	Aspiration cleaning agents for replaceme	1	PC
8	9.002-010.0	Conversion kit housing new D=22mm	1	PC
9	9.038-428.0	Supportring 6,7 mm	3	PC
	Item text1: all other machines			
9	9.038-428.0	Supportring 6,7 mm	1	PC
	Item text1: 1.637-300.0/-310.0/-312.0/-314.0/-315.0/ Item text2: -321.0/-311.0/-313.0/-316.0/-317.0/318.0			
10	9.081-422.0	Form seal	1	PC
11	9.001-693.0	Spare parts set cylinder head WCP	1	PC
	Item text1: all other machines			
11	9.001-693.0	Spare parts set cylinder head WCP	1	PC
	Item text1: 1.637-300.0/-310.0/-312.0/-314.0/-315.0/ Item text2: -321.0/-311.0/-313.0/-316.0/-317.0/318.0			
12	9.080-455.0	Seal 10x2,8	2	PC
13	6.362-875.0	Grooved ring	3	PC
14	9.001-110.0	Moulded part complete	1	PC
15	9.001-149.0	Spare parts set valve	1	PC
16	9.001-106.0	Joining piece	1	PC
17	9.001-107.0	Cage complete	1	PC
18	9.047-026.0	Spring	1	PC
19	9.001-108.0	Injector complete	1	PC
20	9.001-888.0	Connection K3/K4	1	PC
21	6.465-031.0	Connection 3/4	1	PC
22	9.001-885.0	Connection	1	PC
23	5.731-598.0	Fine filter long	1	PC
24	9.086-221.0	Screw ATF 4.1x22	1	PC
25	6.388-216.0	Hose DN 5	1	m
26	5.731-652.0	Filter with weight	1	PC