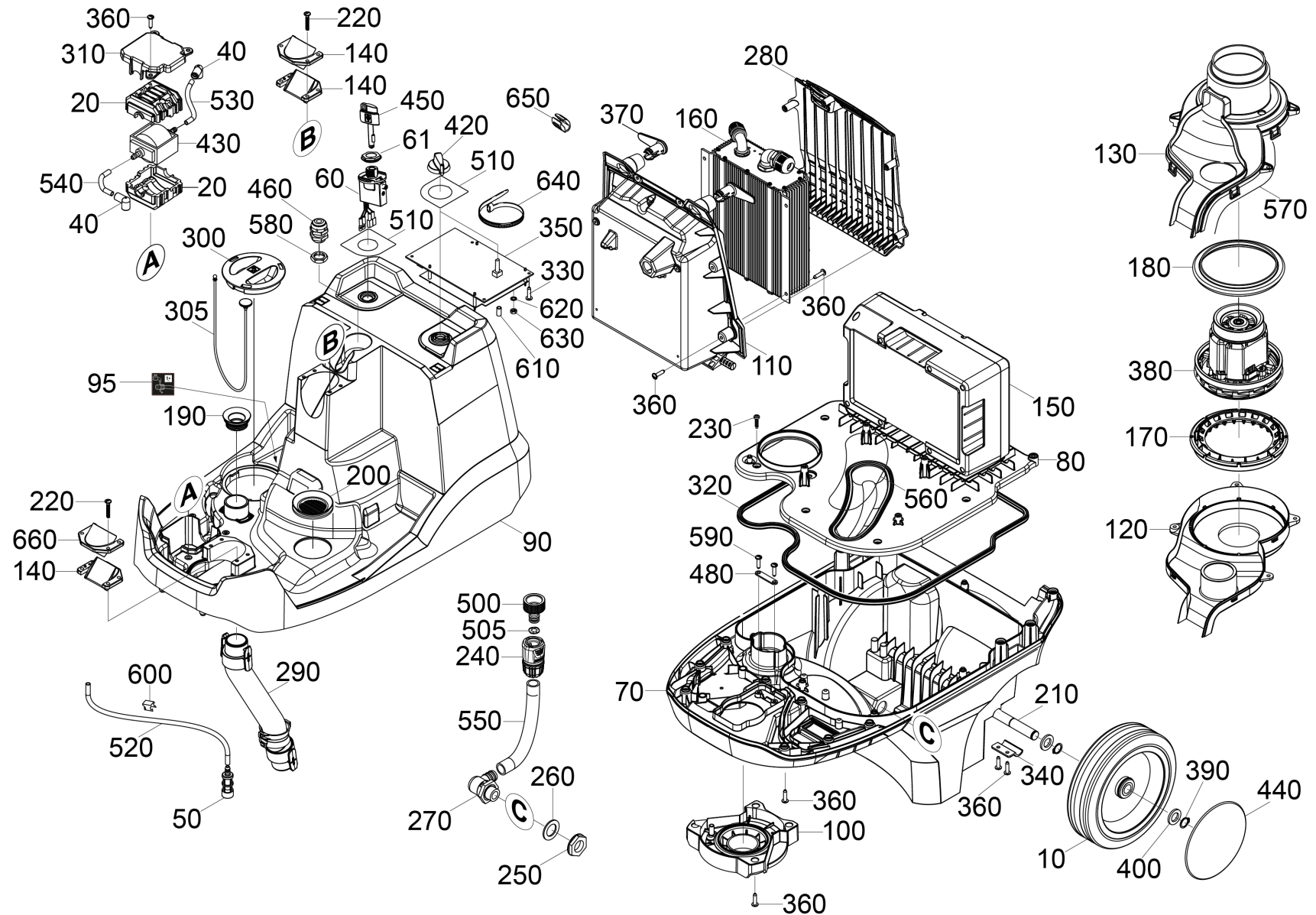


20 Chassis complete

Professional \ Floor cleaner \ Compact \ BR 35/12 C Bp Pack *EU \ Chassis complete



20 Chassis complete

Professional \ Floor cleaner \ Compact \ BR 35/12 C Bp Pack *EU \ Chassis complete



POS	Article no.	Description	Quantity	Unit	valid from	valid until	Foot note text
270	6.395-163.3	Angle bushing G1-2	1	PC			
40	5.050-411.0	Angle bushing water distribution	2	PC			
210	5.037-304.0	Axle wheels	1	PC			
150	6.654-491.0	Battery Li-Ionen 25,9V / 22Ah	1	PC			
160	6.654-494.0	BC onb 29V/10A 220-240V/50-60Hz	1	PC			
100	5.037-285.0	Bearing brush-head	1	PC			
20	4.035-599.0	Bearing pump	1	PC			VERSION 2
20	5.050-408.0	Bearing pump	2	PC			VERSION 1
170	5.731-657.0	Bearing turbine new CER	1	PC			
460	6.648-400.0	Cable gland black M20x1,5	1	PC			
640	6.641-458.0	Cable tape nature 4,6x150mm	3	PC			
370	5.044-661.0	Catch for cable yellow	2	PC			
500	6.465-031.0	Connection 3/4	1	PC			
90	5.037-280.0	Covering cap appliance	1	PC			
110	5.037-286.0	Covering cap battery charger	1	PC			
280	5.037-306.0	Covering cap battery charger rear	1	PC			
660	5.037-015.0	Covering cap joint	1	PC			
310	5.037-867.0	Cover plate pump	1	PC			VERSION 2
300	5.051-294.0	Cover plate tank	1	PC			
310	5.037-307.0	Cover pump	1	PC			VERSION 1
350	2.816-212.0	Electronics BR 35/12	1	PC			FOR ORDERS PAY ATTENTION TO VERSION OFF POS. 420
50	5.731-664.0	Filter with weight	1	PC			
340	5.037-309.0	Fixing axle	2	PC			
320	5.037-860.0	Form seal	1	PC			
70	5.037-278.0	Fresh water tank bottom part	1	PC			
80	5.037-279.0	Fresh water tank top part	1	PC			
140	5.037-289.0	Half shell bearing operating unit	3	PC			
250	6.310-004.0	Hexagon nut G 1/2"	1	PC			
630	7.311-001.0	Hexagon nut M4 -6-A2E ISO 4032	4	PC			
610	6.388-958.0	Hose	1	m			TO ORDER AS CUT GOODS
240	4.645-332.0	HOSE CONNECTOR 1/2" / 5/8" OPP	1	PC			
550	5.037-358.0	Hose discharge fresh water tank	1	PC			

20 Chassis complete

Professional \ Floor cleaner \ Compact \ BR 35/12 C Bp Pack *EU \ Chassis complete



POS	Article no.	Description	Quantity	Unit	valid from	valid until	Foot note text
520	6.388-216.0	Hose DN 5 (PVC)	1	m			TO ORDER AS CUT GOODS
530	6.388-216.0	Hose DN 5 (PVC)	1	m			TO ORDER AS CUT GOODS
540	6.388-216.0	Hose DN 5 (PVC)	1	m			TO ORDER AS CUT GOODS
190	5.050-415.0	Joint ring	1	PC			
200	5.363-344.0	Joint ring	1	PC			
450	4.037-142.0	Key complete key switch	1	PC			VERSION 2
450	6.600-210.0	Key only for replacement	1	PC			VERSION 1
60	6.630-106.0	Key switch	1	PC			VERSION 1
60	6.037-143.0	Key switch bottom part complete Reed	1	PC			VERSION 2
510	5.037-351.0	Label	1	PC			
95	5.423-599.0	Label fresh water tank strainer	1	PC			
390	7.343-015.0	Locking ring 15x1-FST-RF DIN 471	4	PC			
580	6.648-416.0	Locknut black M20	1	PC			
305	5.035-358.3	Mounting rope cover fresh water tank packed	1	PC			
61	5.641-008.0	Nut with shaft M16x1.5	1	PC			
650	5.033-928.0	Plug fixing RAL 1018	1	PC			
430	6.473-580.0	Pump 24V	1	PC			VERSION 1 WITH CABLE
505	6.343-147.0	Quick-fastener	1	PC			
130	5.037-288.0	Retainer vac motor above	1	PC			
120	5.037-287.0	Retainer vac motor bottom	1	PC			
420	5.035-437.0	Rotary controller	1	PC		20312	
420	5.037-014.0	Rotary controller	1	PC	20313		
330	7.303-095.0	Screw 4x12-ST-10.9-R2R (IN6RD)	4	PC			
590	7.303-026.0	Screw 4x16 -A2-70 (K-In6Rd)	2	PC			
360	7.303-108.0	Screw 5x20 -10.9-R2R (In6Rd)	42	PC			
230	7.303-212.0	Screw 5x20-A2-70 (K-In6Rd)	8	PC			
220	7.303-086.0	Screw 5x30 -10.9-R2R (K-In6Rd)	8	PC			
260	5.515-253.0	Seal D34	1	PC			
180	9.079-024.0	Seal motor above	1	PC			
560	6.273-037.0	Seal string cellular rubber 3	0,505	m			TO ORDER AS CUT GOODS
570	6.273-037.0	Seal string cellular rubber 3	0,81	m			TO ORDER AS CUT GOODS
620	7.312-230.0	Serrated lock washer A4,3-FSt-A3E	2	PC			

20 Chassis complete

Professional \ Floor cleaner \ Compact \ BR 35/12 C Bp Pack *EU \ Chassis complete

KÄRCHER

POS	Article no.	Description	Quantity	Unit	valid from	valid until	Foot note text
		DIN67					
400	5.010-977.0	Sheet metal ring	4	PC			
480	6.647-513.0	Strain relief	1	ZST			
290	4.037-032.0	Suction hose complete	1	PC			
290	4.037-176.0	Suction hose cpl. PU	1	PC			
380	6.490-401.0	Turbine 1-level 24V 250W	1	PC			
600	6.373-862.0	U-Fastening	3	PC			
430	6.473-059.0	Vibrating piston pump 24V/50Hz	1	PC			VERSION 2 WITHOUT CABLE
440	6.435-860.0	Wheel cap neutrally BR/BD 40/25 C	2	PC			
10	6.435-412.0	Wheel D 200	2	PC			