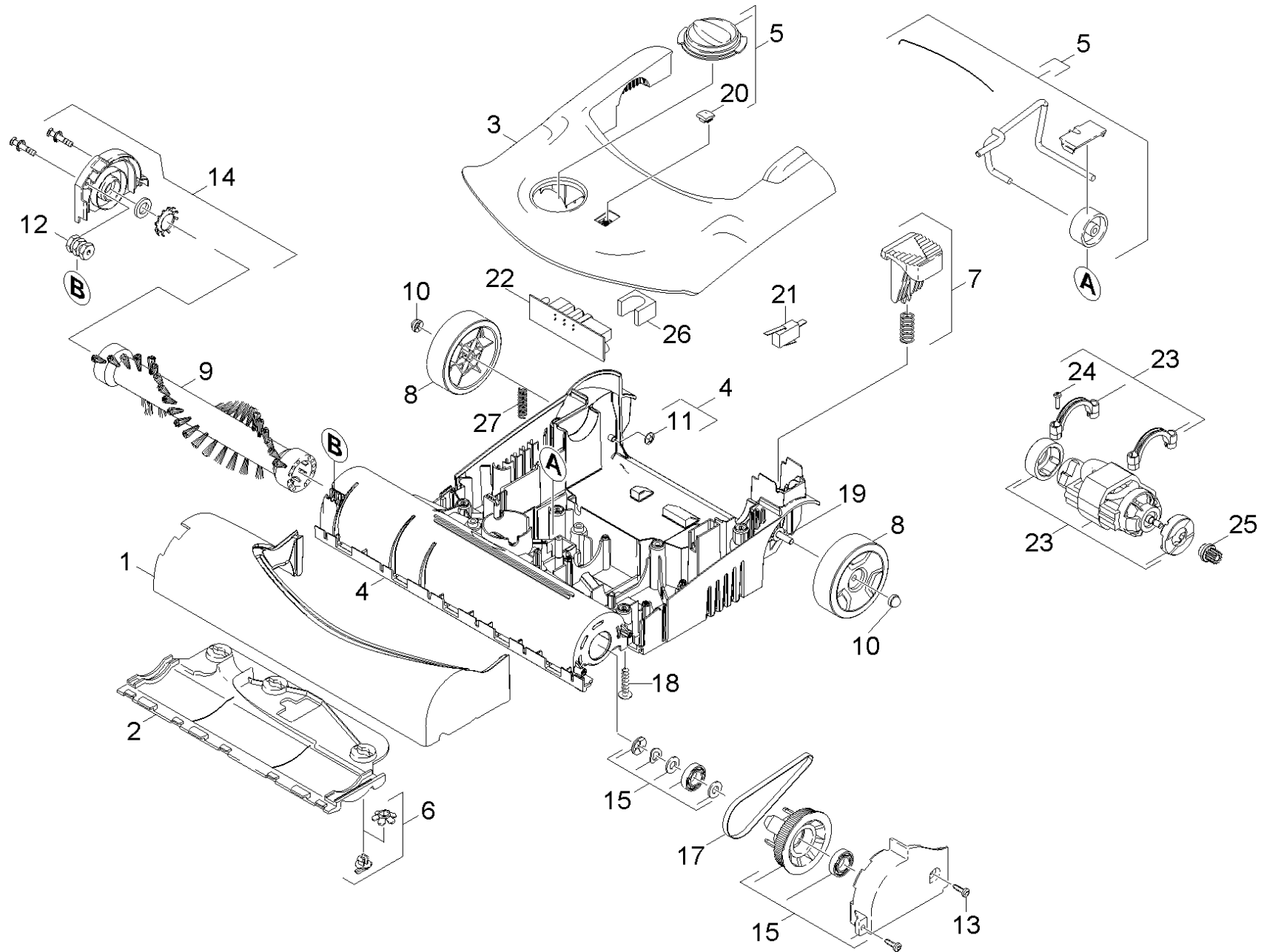


21 Brush-head

Professional \ Vacuum cleaner \ Dry vacuum cleaner \ CV 48/2 *CN \ Spare parts list CV 38/2, CV 48/2 \ Brush-head \ Brush-head



21 Brush-head

Professional \ Vacuum cleaner \ Dry vacuum cleaner \ CV 48/2 *CN \ Spare parts list CV 38/2, CV 48/2 \ Brush-head \ Brush-head



POS	Article no.	Description	Quantity	Unit	Foot note text
5	4.515-311.0	Adjusting wheel complete	1.000	ST	
	Item text1: 1.033-315.0 / -316.0 / -317.0 / -319.0				
5	4.515-316.0	Adjusting wheel complete	1.000	ST	
	Item text1: 1.033-321.0 / -322.0 / -323.0				
19	9.412-178.0	Axle	1.000	ST	
1	5.032-456.0	Bumper CV 38/1	1.000	ST	
6	2.889-084.0	Closure parts set for replacement	1.000	ST	
15	4.063-774.0	Covering cap complete belt	1.000	ST	
14	4.063-892.0	Covering cap complete brush Aluminiumdru	1.000	ST	
7	4.481-265.0	Foot pedal complete	1.000	ST	YELLOW
7	4.481-000.0	Foot pedal complete only for replacement	1.000	ST	BLACK
27	5.332-082.0	Helical spring	1.000	ST	
4	4.062-007.0	Housing complete	1.000	ST	
3	4.062-008.0	Housing top part complete	1.000	ST	
	Item text1: 1.033-315.0 / -316.0 / -317.0 / -319.0				
3	4.062-013.0	Housing top part complete	1.000	ST	
	Item text1: 1.033-321.0 / -322.0 / -323.0				
20	5.033-452.0	Lens	1.000	ST	
10	6.343-187.0	Lock washer	2.000	ST	
11	6.343-119.0	Lock washer	2.000	ST	
21	6.630-135.0	Micro switch	1.000	ST	
23	4.613-001.0	Motor complete	1.000	ST	
25	5.033-459.0	Pinion	1.000	ST	
22	6.682-291.0	Printed circuit board 230V	1.000	ST	
26	6.286-573.0	Protecting cap	1.000	ST	
9	6.906-643.0	Roller brush black	1.000	ST	
13	7.303-106.0	Screw 4x12 -10.9-R2R (IN6RD)	2.000	ST	
24	7.303-096.0	Screw 4x22 -ST-10.9-R2R (IN6RD)	4.000	ST	
18	6.303-200.0	Screw 5x25-IN6RD	8.000	ST	
12	5.401-288.0	Screw connector part	2.000	ST	
2	5.058-572.0	Sliding bottom CV 38/2	1.000	ST	
17	6.348-460.0	Toothed belt	1.000	ST	
8	5.515-374.0	Wheel	2.000	ST	