

 **KÄRCHER**<sup>®</sup>

# T 15/1 Service Manual



## Contents

<b>1</b>	<b>Preface</b>	<b>3</b>
<b>2</b>	<b>Safety instructions</b>	<b>3</b>
<b>3</b>	<b>Technical Features</b>	<b>3</b>
<b>4</b>	<b>Setup and function</b>	<b>4</b>
<b>5</b>	<b>Basic settings and service procedures</b>	<b>5</b>
<b>6</b>	<b>Troubleshooting</b>	<b>7</b>
<b>7</b>	<b>Technical specifications</b>	<b>7</b>
<b>8</b>	<b>Special tools</b>	<b>7</b>
<b>9</b>	<b>Circuit diagram</b>	<b>8</b>

## 1 Preface

Good service work requires extensive and practice-oriented training as well as well-structured training materials.

Hence we offer regular basic and advanced training programmes covering the entire product range for all service engineers.

In addition to this, we also prepare service manuals for important appliances - these can be initially used as instruction guides and later on as reference guides.

Apart from this, we also regular information about product enhancements and their servicing.

If you should require supplements, have corrections or questions regarding this document, please address these citing the following subject to:

*international-service@de.kaercher.com*

Subject:	<b>Fall 106039</b>
----------	--------------------

The responsible product specialist will take care of your issue.

**Copying and duplication of texts and diagrams as well as third-party access to this information is permitted only with the explicit permission of the company:**

**Alfred Kärcher GmbH & Co. KG**

**P O Box 160**

**D - 71349 Winnenden**

**www.kaercher.com**

## 2 Safety instructions

### 2.1 Hazard levels

#### **⚠ Danger**

*Immediate danger that can cause severe injury or even death.*

#### **⚠ Warning**

*Possible hazardous situation that could lead to severe injury or even death.*

#### **Caution**

*Possible hazardous situation that could lead to mild injury to persons or damage to property.*

## 3 Technical Features

### **Structure:**

- Cable storage on the appliance or on the foldable cable hook.
- Pickup for floor nozzle.
- Storage for accessories.
- In addition to the main filter, a filter bag may be used.
- Installation of HEPA filter H12 prepared (option).
- The appliance switch can be activated by foot.

## 4 Setup and function



- |                                       |                            |
|---------------------------------------|----------------------------|
| 1 Suction hose                        | 14 Suction support         |
| 2 Suction head                        | 15 Socket                  |
| 3 Fastening screw of the suction head | 16 Power switch            |
| 4 Mains cable hook (foldable)         | 17 Pickup for floor nozzle |
| 5 Carrying handle                     | 18 Suction pipe            |
| 6 Power cord                          | 19 Accessories             |
| 7 Hose switch                         | 20 Exhaust filter          |
| 8 Locking                             | 21 Mains plug              |
| 9 Impeller                            | 22 Bender                  |
| 10 Steering roller                    |                            |
| 11 Dirt receptacle                    |                            |
| 12 Turbine casing                     |                            |
| 13 Floor nozzle                       |                            |

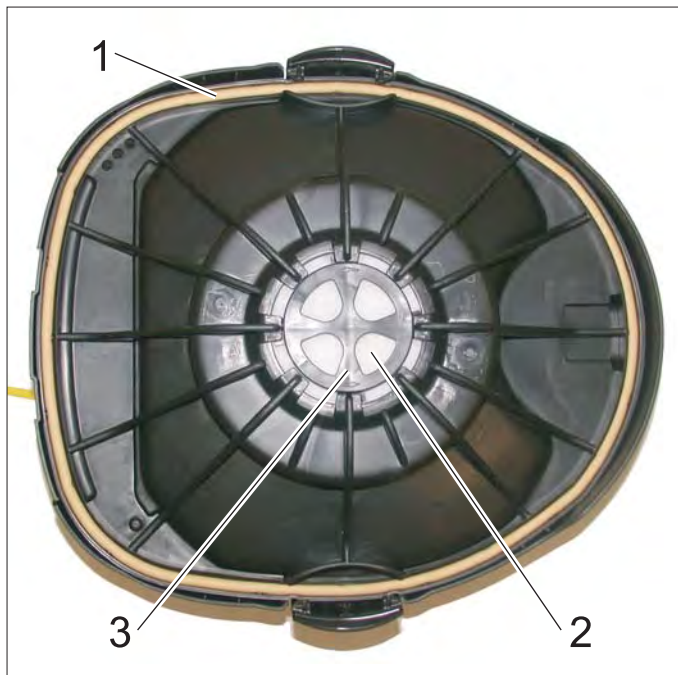
## 5 Basic settings and service procedures

### 5.1 Replacing the impeller



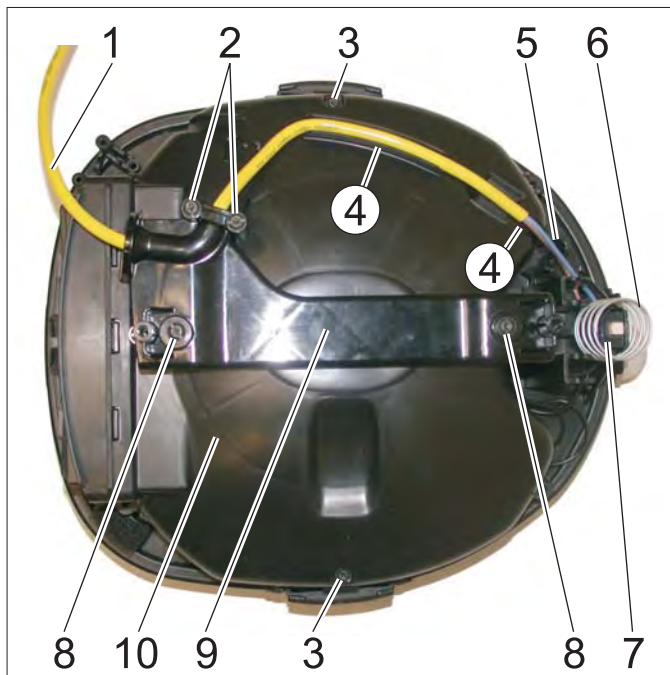
- 1 Impeller with plugin axle
  - 2 Fastening screw
- ➔ Loosen the fastening screw.
  - ➔ Pull impeller with plugin axle out to the side.
  - ➔ Install the new impeller by reversing the installation steps.

### 5.2 Replace motor protection filter

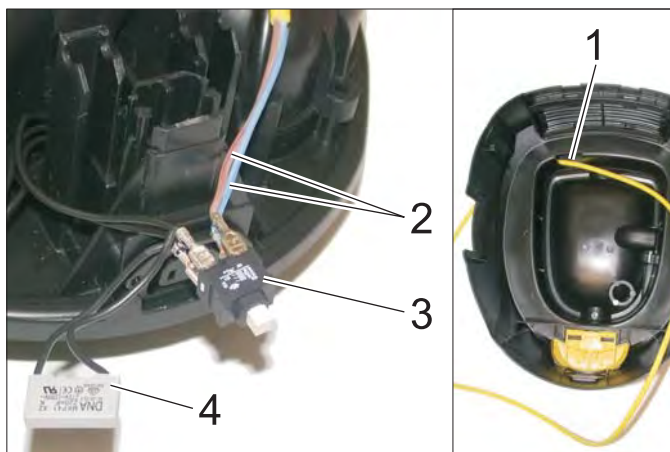


- 1 Seal
  - 2 Motor filter
  - 3 Grid of the motor protection filter
- ➔ Push the grids of the motor protection filter down, turn and remove.
  - ➔ Remove the motor protection filter.
  - ➔ Insert the new motor protection filter.
  - ➔ Insert the grid of the motor protection filter and lock it into place.

### 5.3 Replacing the mains cable



- 1 Power cord
  - 2 Fastening screw for mains cable
  - 3 Fastening screw for turbine housing
  - 4 Cable guide
  - 5 Clamping ridge for mains cable
  - 6 Spring
  - 7 Power switch
  - 8 Fastening screw for bow
  - 9 Bow
  - 10 Turbine casing
- ➔ Remove spring.
  - ➔ Unscrew the fastening screws for the mains cable.
  - ➔ Unscrew the fastening screws for the bow.
  - ➔ Remove the bow.

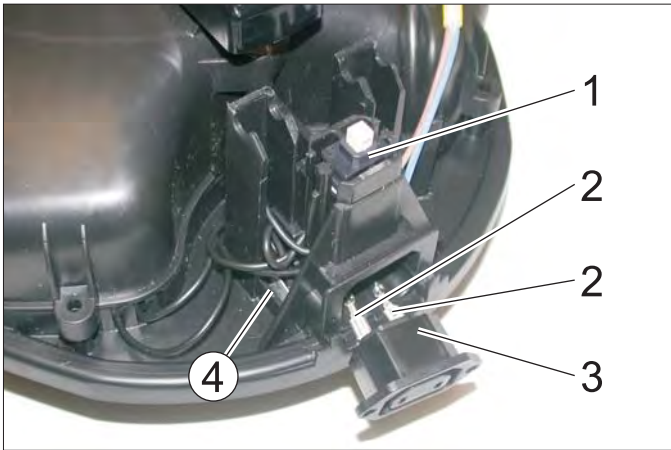


- 1 Opening at suction head
  - 2 Power cord
  - 3 Power switch
  - 4 Capacitor
- ➔ Pull the appliance switch out toward the top.
  - ➔ Replace the mains cable.

**Note:** Prior to installing the new mains cable, it must be pulled off through the opening on the suction head.

**Note:** When installing the mains cable, the routing must be correct. There are cable guides in the turbine housing, along which the cable must be routed. The cable must be pressed into the clamping ridge to attach it.

#### 5.4 Remove plugin



- 1 Power switch
- 2 Cable plug
- 3 Socket
- 4 Capacitor

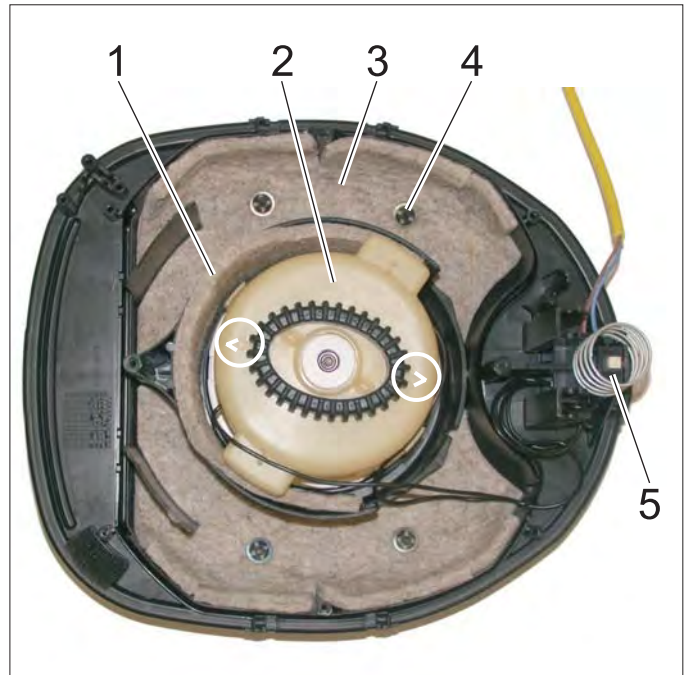
- ➔ Remove the plugin using a small screwdriver.
- ➔ Pull the plugin out of the shaft and disconnect the cable plug.

#### 5.5 Exhaust filter and bypass filter



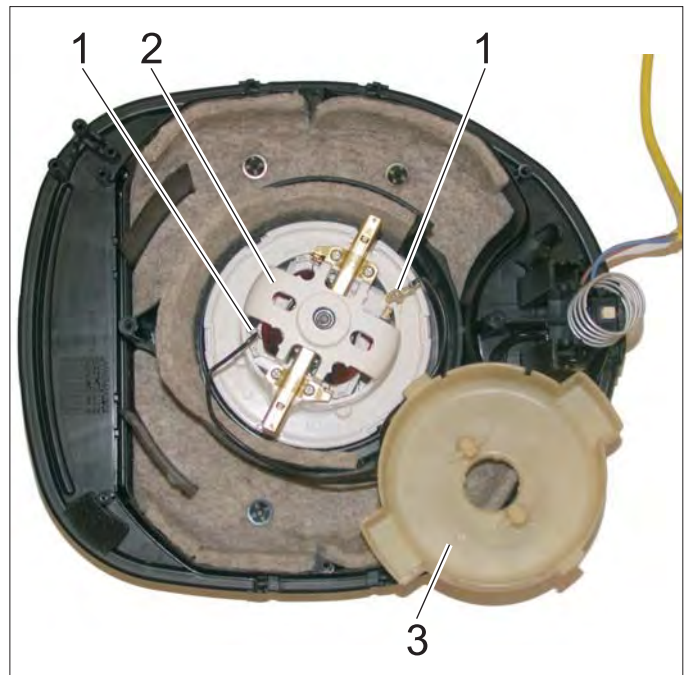
- 1 Bypass filter for engine cooling air
- 2 Exhaust filter
- 3 Housing for exhaust filter
- 4 Nameplate

#### 5.6 Replace the turbine



- 1 Sound proofing
- 2 Upper turbine bearing
- 3 Sound proofing
- 4 Fastening clips for sound proofing (4 x)
- 5 Power switch

**Note:** The marking arrows (see circles) show the correct installation position of the upper turbine bearing.



- 1 Connection plug of the turbine
  - 2 Turbine
  - 3 Upper turbine bearing
- ➔ Remove the upper turbine bearing from the turbine.
  - ➔ Pull the connection plug off the turbine.
  - ➔ Replace the turbine.

**Note:** When inserting the new turbine, the installation position must be observed. The turbine must be installed so that the upper turbine bearing is placed according to the marking arrows (see circles).

## 6 Troubleshooting

Fault	Remedy
Motor does not run	<ul style="list-style-type: none"><li>– Check cables, plugs and socket.</li><li>– Check appliance switch (continuity test), replace if required.</li><li>– Allow appliance to cool down, the engine protective switch has been triggered due to overheating.</li></ul>
Suction capacity decreases	<ul style="list-style-type: none"><li>– Check the suction nozzle, the suction pipe and the suction hose for obstructions, clear if necessary.</li><li>– Filter bag/main filter defective/obstructed - replace.</li><li>– Close the suction head properly.</li></ul>
Dust comes out during the vacuuming	Check/correct the correct positioning of the filter bag/main filter.

## 7 Technical specifications

Appliance type	Appliance no.:	Circuit diagram	Operating instructions	Spare parts list
T 15/1 EU, 220-240 V, 1~ 50/60 Hz	1.355-201.0	0.088-685.0	5.962-578.0	5.970-840.0
T 15/1 CH, 220-240 V, 1~ 50/60 Hz	1.355-202.0	0.088-685.0	5.962-578.0	5.970-840.0
T 15/1 AU, 220-240 V, 1~ 50/60 Hz	1.355-203.0	0.088-685.0	5.962-578.0	5.970-840.0
T 15/1 GB, 220-240 V, 1~ 50/60 Hz	1.355-204.0	0.088-685.0	5.962-578.0	5.970-840.0
T 15/1 BR, 220-240 V, 1~ 50/60 Hz	1.355-207.0	0.088-685.0	5.962-578.0	5.970-840.0
T 15/1 JP, 100 V, 1~ 50/60 Hz	1.355-206.0	0.088-685.0	5.962-894.0	5.970-941.0
T 15/1 CUL, 120 V, 1~ 60 Hz	1.355-205.0	0.088-685.0	5.962-893.0	5.970-940.0

The technical specification sheet and the circuit diagram will be included in the next version of the spare parts CD (DISIS) and in the Intranet.

- Technical specification sheet:  
Folder "Central / Service Info Int'l / Technical Specifications"
- Circuit diagram:  
Folder "Central / Service Info Int'l / Circuit Diagram"

The operating instructions and the spare parts list can be requested in paper form with the respective part numbers from our spare parts service department.

### Torques:

No data.

## 8 Special tools

There are no special tools necessary.

13

12

11

10

9

8

7

6

5

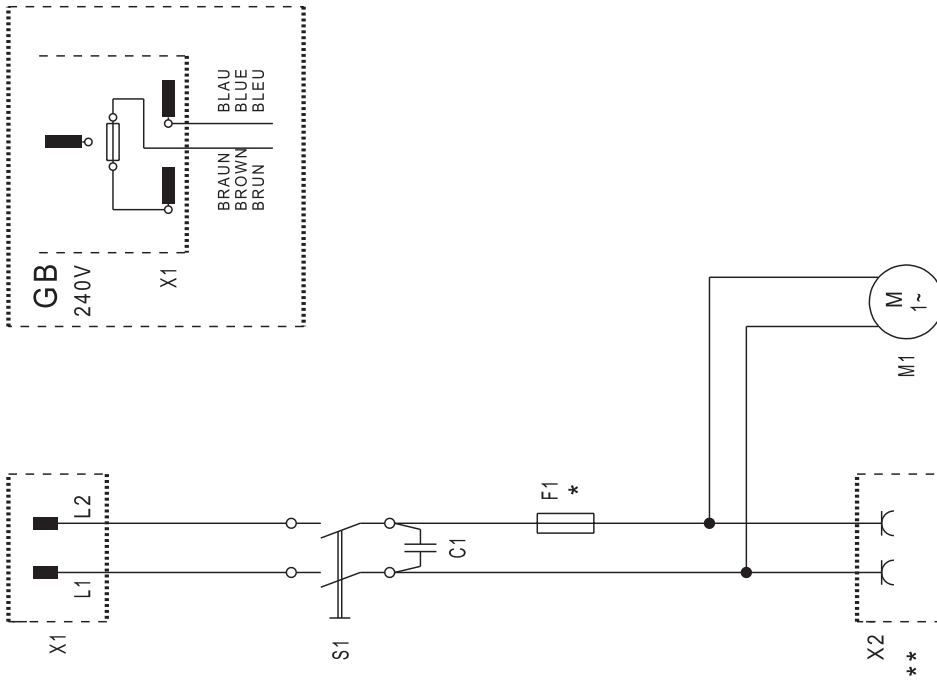
4

3

2

1

100/120V 1~50/60Hz  
220-240V 1~50/60Hz



C1	ENTSTÖRKONDENSATOR SUPPRESSION CAPACITOR CONDENSATEUR DE DÉPARASITAGE
F1	SICHERUNG FUSE FUSIBLE
M1	SAUGTURBINE VACUUM MOTOR TURBINE D'ASPIRATION
S1	HAUPTSCHALTER MAINSWITCH INTERRUPTEUR PRINCIPAL
X1	NETZSTECKER POWER SUPPLY PLUG PRISE D'ALIMENTATION D'ÉNERGIE
X2	STECKDOSE PLUG SOCKET PRISE DE COURANT

\* Sicherung nur bei Variante Japan  
fuse only for variant Japan  
fusible seulement pour la variante le Japon

\*\* Entfällt bei Variante Japan  
Drop out by variant Japan  
Est supprimé avec la variante le Japon

Datum date 19.07.04	GEZ. draft ura	GEPR. check fma	NORM stand. CST-D	A-IND. ch.-ind. a	ANZ. no. 1	AND./FR. change/rel. A2008989	ERS.F. exch./rel. 10.02.04	Doc-Nr. doc-no. 5051688	Doc-Vers. doc-vers. 01	ANLAGE = SLP plant install.		ORT location + S	BENENNUNG identification T12/1		ZEICHNUNGS-NR. drawing-no. 0.088-685.0	
AUFTRAG order no.												BLATT page 1	BLATT page tot. 1			
Winenden																
File: SLPT121																